



US00D448191B1

(12) **United States Design Patent**  
**Kane**

(10) **Patent No.:** **US D448,191 S**

(45) **Date of Patent:** **\*\* Sep. 25, 2001**

- (54) **SEAT**
- (75) **Inventor:** **Brian J. Kane**, San Francisco, CA (US)
- (73) **Assignee:** **Landscape Forms, Inc.**, Kalamazoo, MI (US)
- (\*\*) **Term:** **14 Years**
- (21) **Appl. No.:** **29/116,725**
- (22) **Filed:** **Jan. 10, 2000**
- (51) **LOC (7) Cl.** ..... **06-01**
- (52) **U.S. Cl.** ..... **D6/375; D6/379; D6/381**
- (58) **Field of Search** ..... D6/334, 335, 348, D6/360, 368, 369, 370, 373, 374, 375, 376, 379, 380, 381, 499, 500, 501, 502; 297/232, 445.1, 446.1, 448.1, 452.63, 452.64

(56) **References Cited**

**U.S. PATENT DOCUMENTS**

- D. 211,171 \* 5/1968 Blier ..... D6/379
- D. 235,495 \* 6/1975 Laylon ..... D6/374
- D. 236,047 \* 7/1975 Hoshall ..... D6/379
- D. 236,394 \* 8/1975 Hoshall ..... D6/379

**OTHER PUBLICATIONS**

Chair and chair units identified as 66501, 66532, 66401-TE66400/66401-TE and 66501/66400/66532-TE in Fixtures Furniture Price List Workbook, p. 87, Jan. 1991.\*  
 Chair illustrated in Wabash Valley catalog, p. 56, 1998.\*  
 Chair illustrated in Brown Jordan catalog, p. 2, 1986.\*

Sweet's General Building & Renovation Catalog, BuyLine 5466, TimberForm Site Complements, Columbia Cascade 1975 S.W. Fifth Avenue, Portland, OR 97201, 1996 (3 pp.).  
 Manhattan Side Chair, Metro, 1987 (1 pg.).

\* cited by examiner

*Primary Examiner*—Doris V. Coles

*Assistant Examiner*—Elizabeth A. Albert

(74) *Attorney, Agent, or Firm*—Heslin Rothenberg Farley & Mesiti P.C.

(57) **CLAIM**

The ornamental design for a seat, as shown and described.

**DESCRIPTION**

FIG. 1 is an isometric view of the seat of my new design;  
 FIG. 2 is a top plan view thereof;  
 FIG. 3 is a front elevational view thereof;  
 FIG. 4 is a back elevational view thereof;  
 FIG. 5 is a left side elevational view thereof;  
 FIG. 6 is a right side elevational view thereof;  
 FIG. 7 is an isometric view of a first embodiment of the seat of my design;  
 FIG. 8 is an isometric view of a second embodiment of the seat of my design;  
 FIG. 9 is a back elevational view of the second embodiment;  
 and,  
 FIG. 10 is an isometric view of a fourth embodiment of the seat of my new design.  
 The broken line showing in the drawing figures is for illustrative purposes only and forms no part of the claimed design.

**1 Claim, 7 Drawing Sheets**

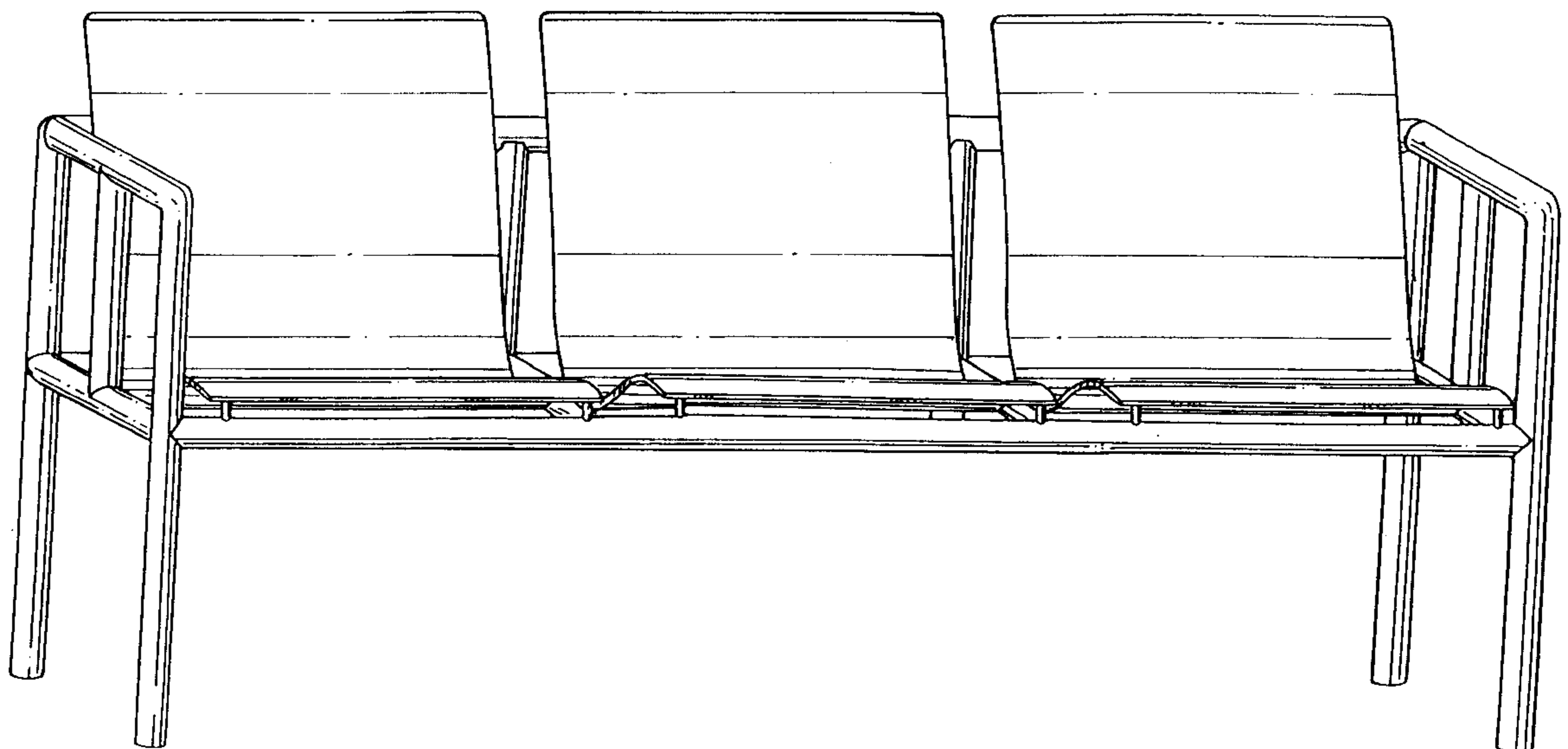


FIG. 2

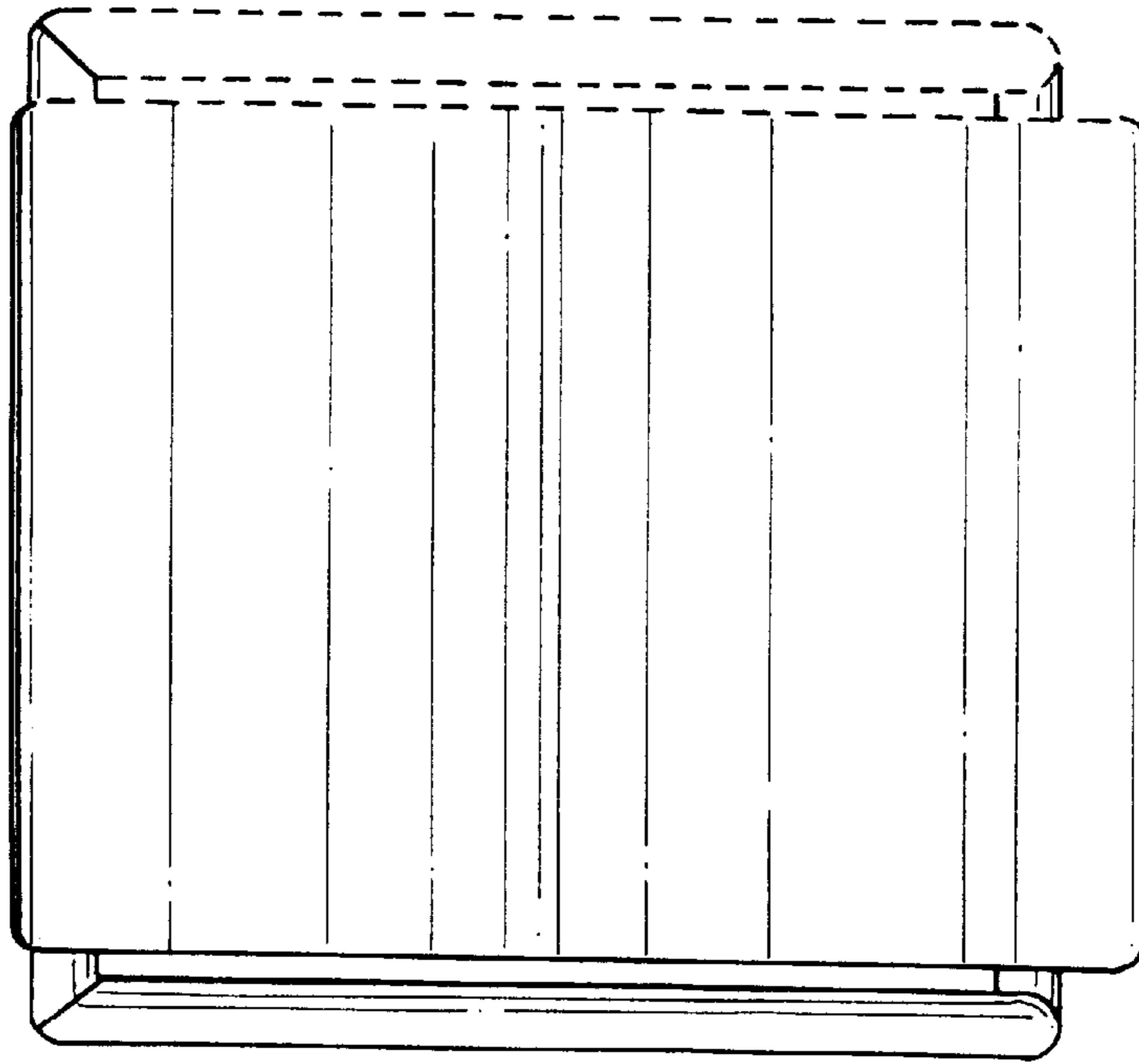


FIG. 1

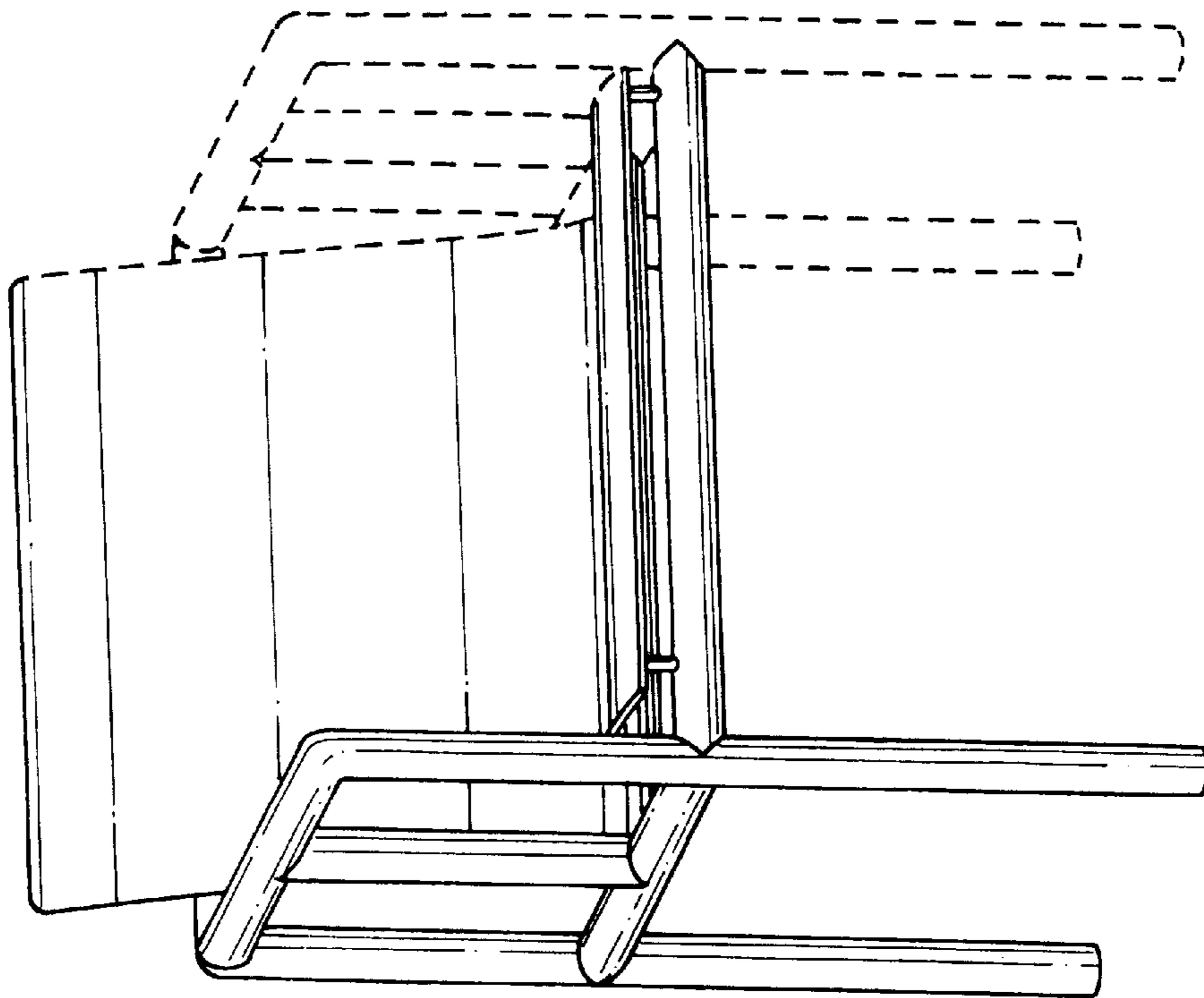


FIG. 4

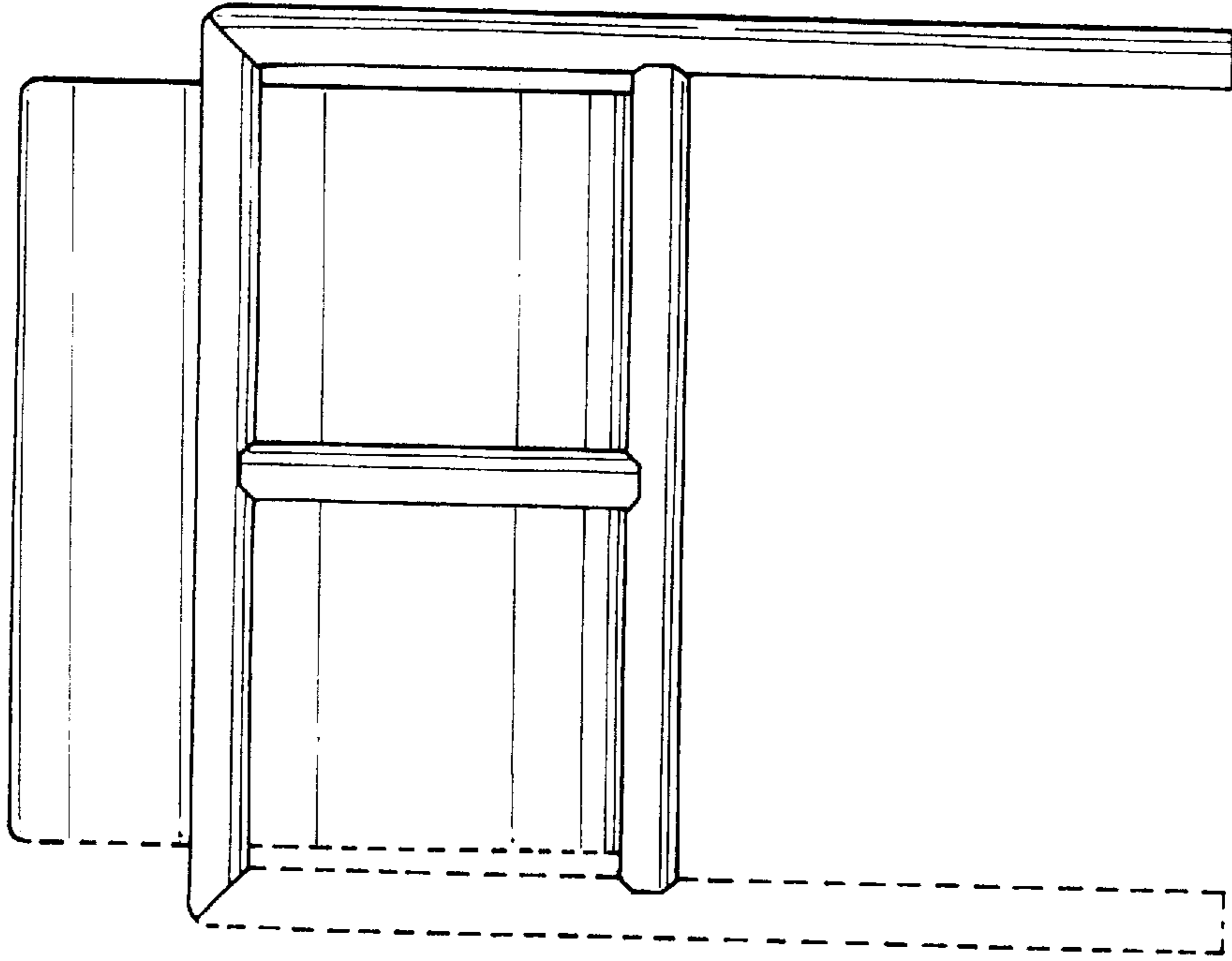


FIG. 3

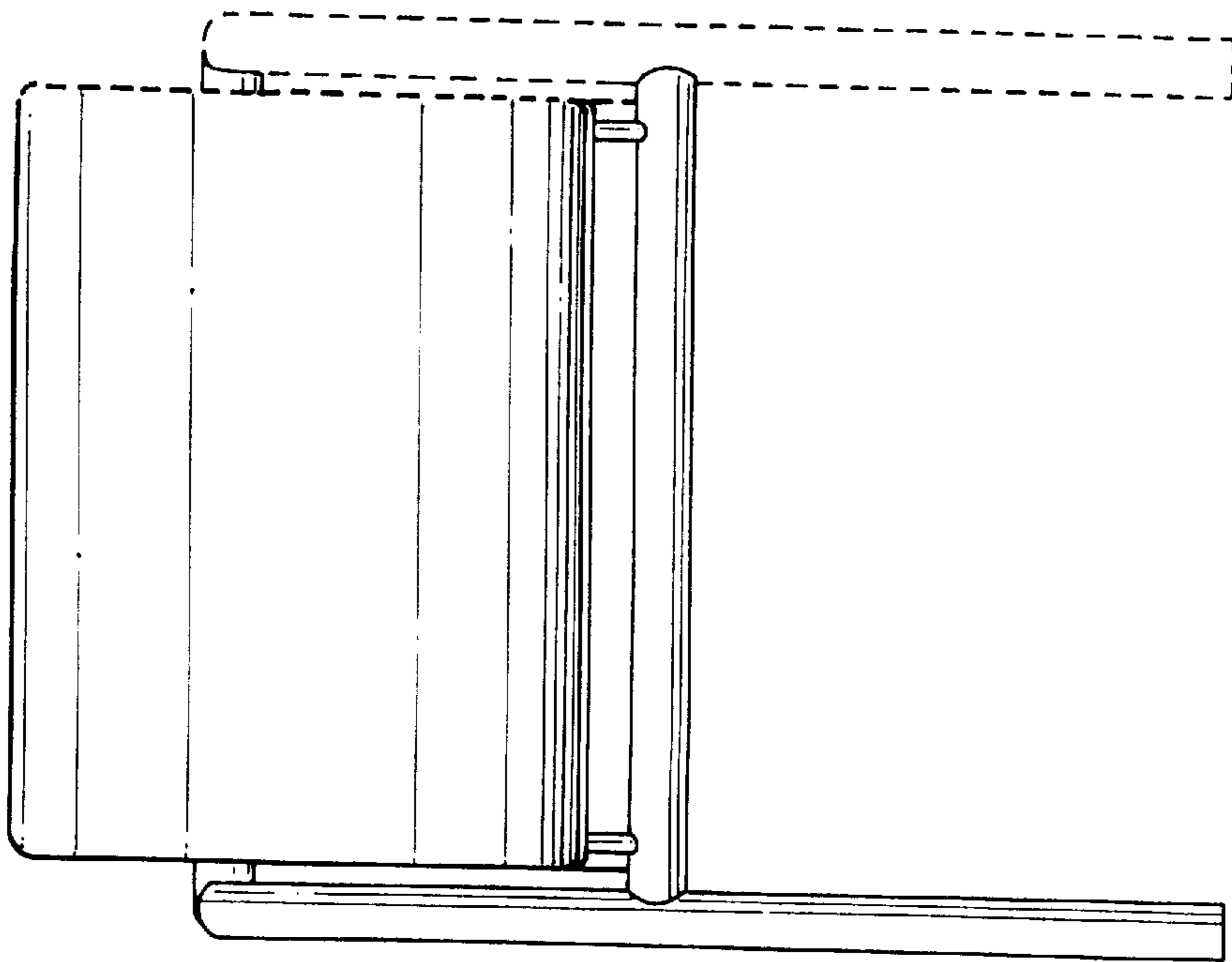


FIG. 6

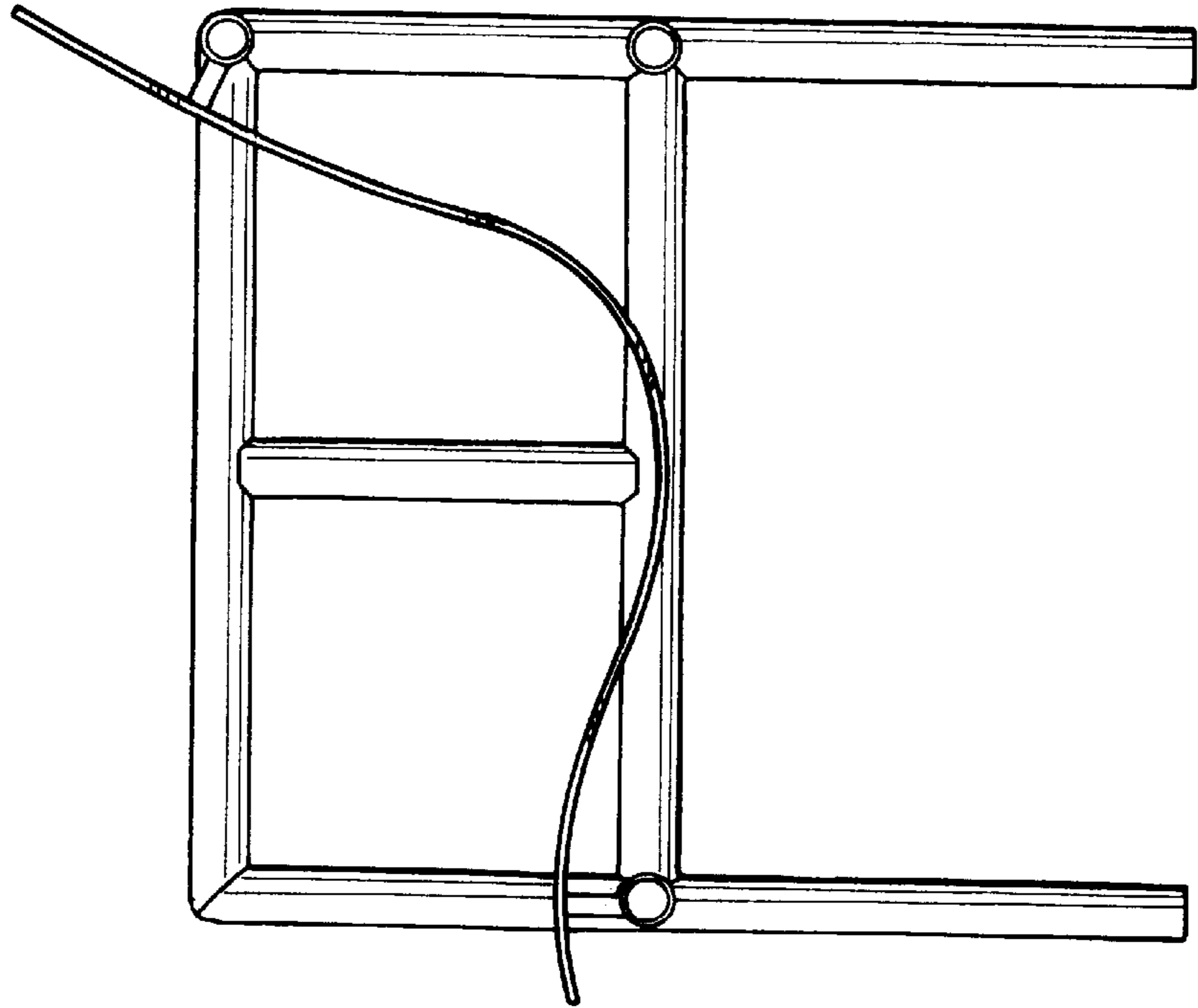


FIG. 5

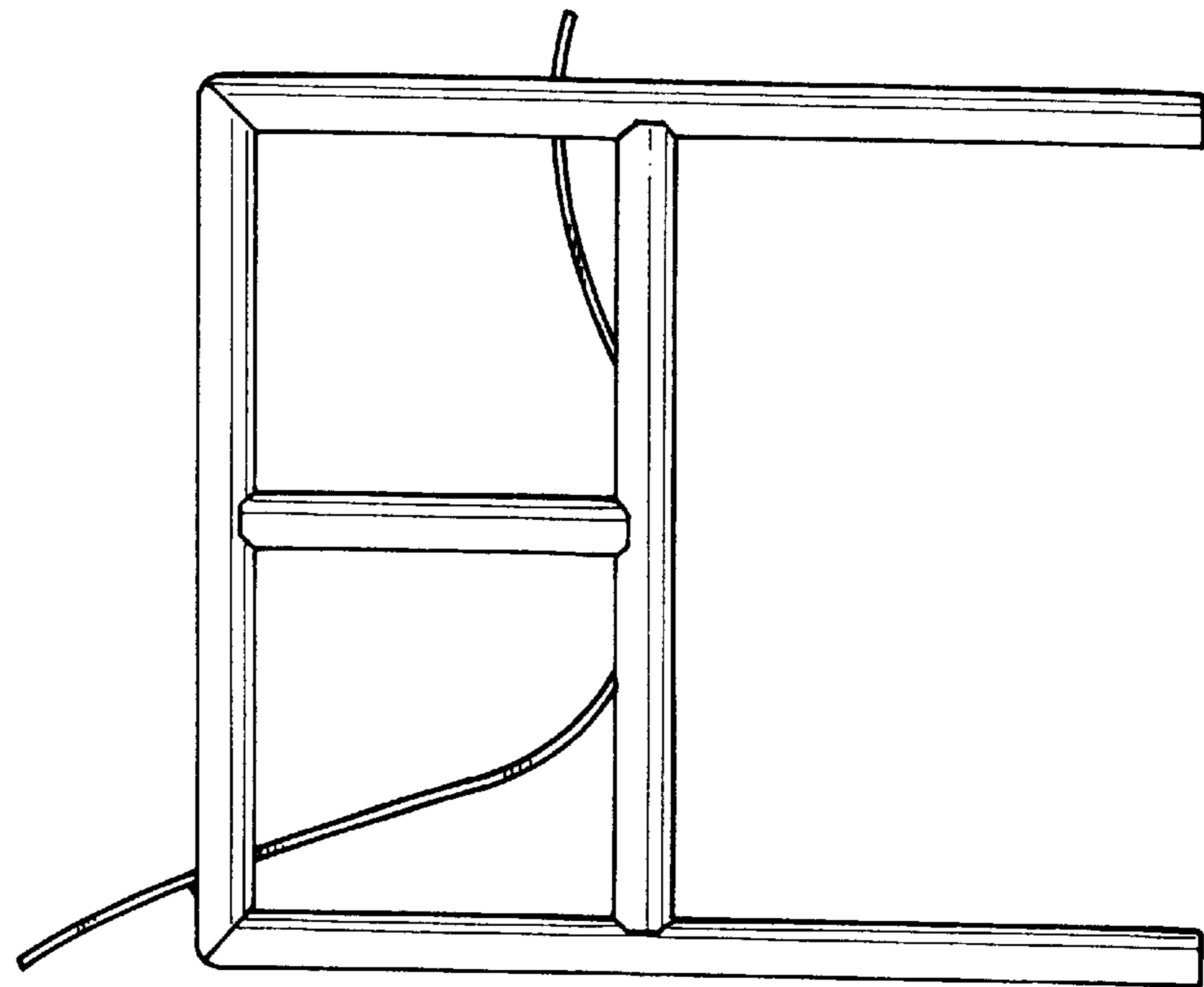
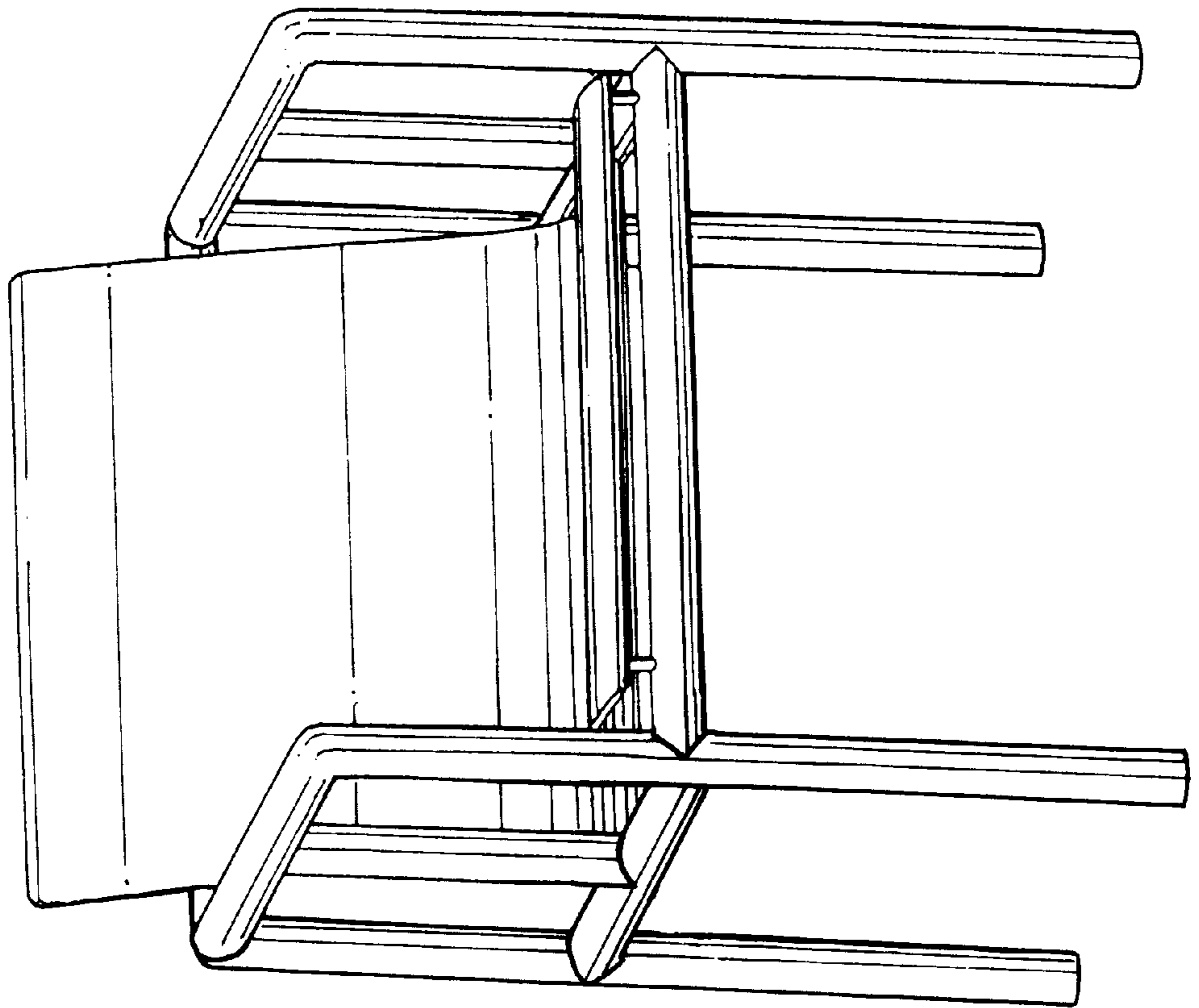


FIG. 7



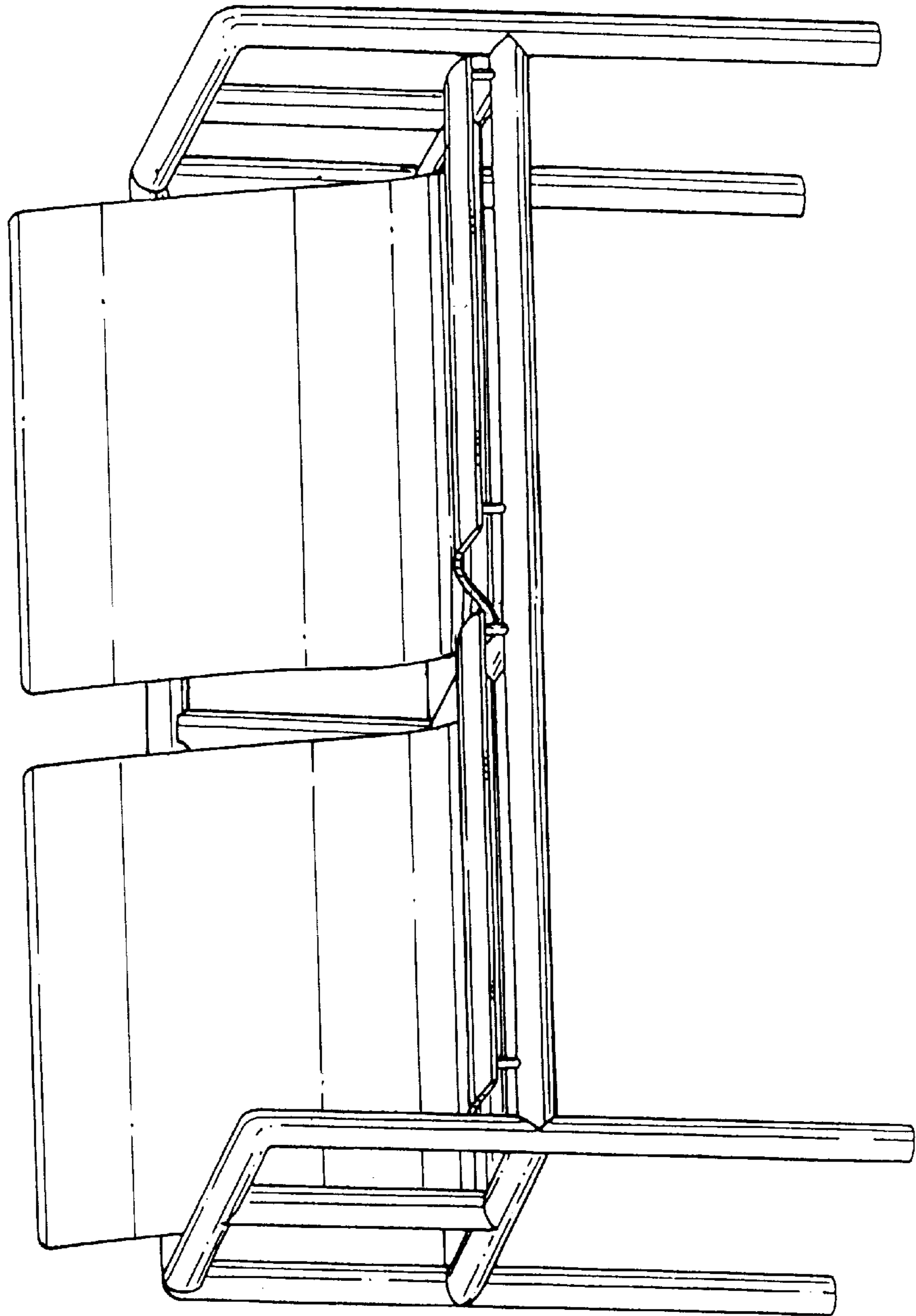


FIG. 8

FIG. 9



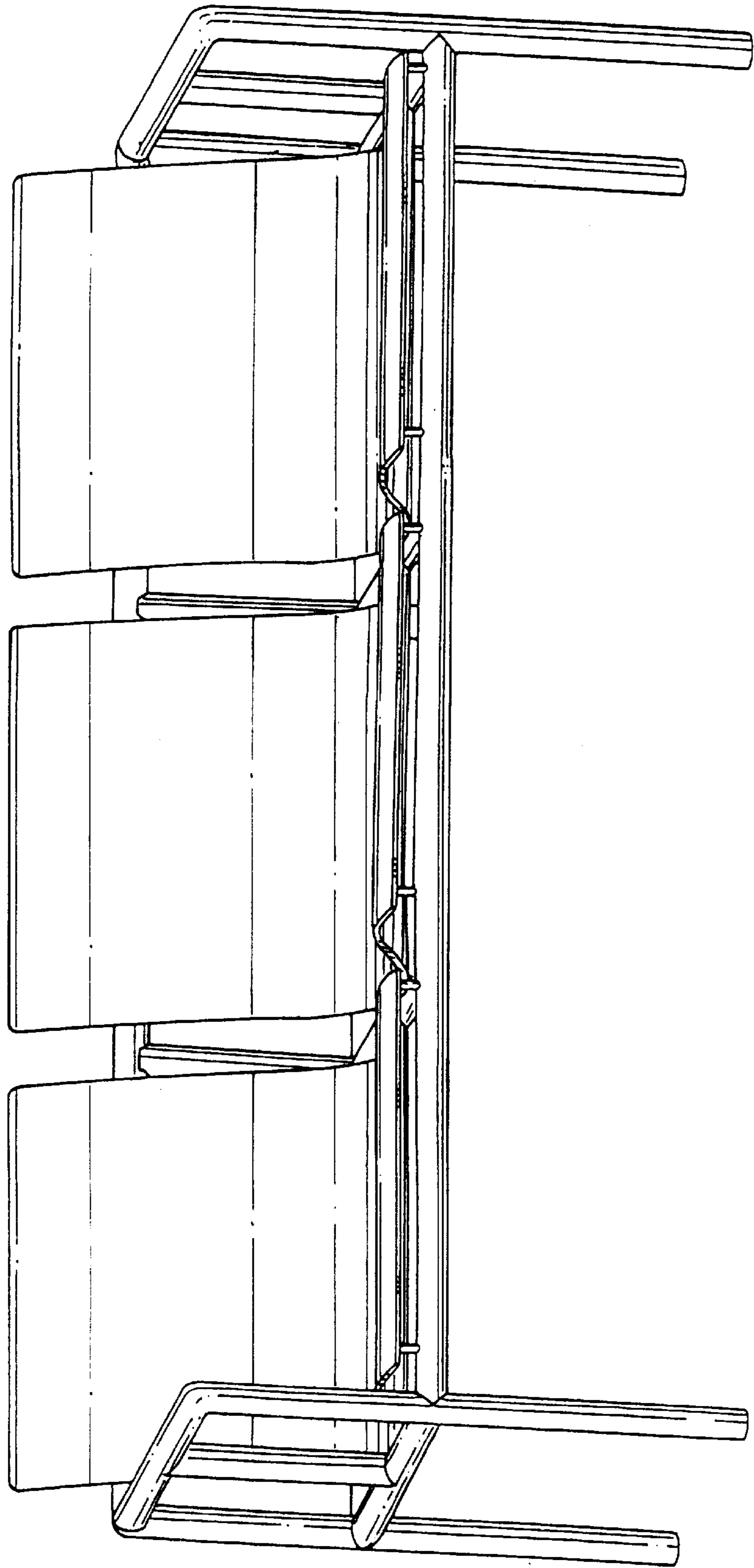


FIG. 10