



US00D448189B1

(12) **United States Design Patent**
Jahn

(10) **Patent No.:** **US D448,189 S**

(45) **Date of Patent:** **** Sep. 25, 2001**

(54) **SEAT**

(75) Inventor: **Helmut Jahn**, Chicago, IL (US)

(73) Assignee: **Akaba S.A.** (ES)

(**) Term: **14 Years**

(21) Appl. No.: **29/102,751**

(22) Filed: **Mar. 31, 1999**

(51) **LOC (7) Cl.** **06-01**

(52) **U.S. Cl.** **D6/374; D6/368**

(58) **Field of Search** D6/334, 335, 336,
D6/362, 364, 365, 368, 374, 375, 379,
381, 500, 501, 502; 297/232, 248, 331,
335

(56) **References Cited**

U.S. PATENT DOCUMENTS

D. 252,482	*	7/1979	Blodee	D6/368
D. 346,283	*	4/1994	Kolberg	D6/374
D. 347,330	*	5/1994	Kinsman	D6/334
D. 347,947	*	6/1994	Donnelly	D6/368
D. 403,168	*	12/1998	Guibelalde	D6/364
D. 412,622	*	8/1999	DeJule	D6/381 X
D. 419,314	*	1/2000	Saul	D6/381 X
3,990,741	*	11/1976	Snyder et al.	D6/336 X

* cited by examiner

Primary Examiner—Gary D. Watson

(74) *Attorney, Agent, or Firm*—Bierman, Muserlian and Lucas

(57) **CLAIM**

The ornamental design for a seat, substantially as shown and described.

DESCRIPTION

FIG. 1 is a perspective view of my seat design;

FIG. 2 is a front view of my seat design;

FIG. 3 is a back view of my seat design;

FIG. 4 is a right-side view of my seat design;

FIG. 5 is a left-side view of my seat design;

FIG. 6 is a top view of my seat design;

FIG. 7 is a bottom view of my seat design;

FIG. 8 is a perspective view of a second embodiment of my seat design;

FIG. 9 is a front view of a second embodiment of my seat design;

FIG. 10 is a back view of a second embodiment of my seat design;

FIG. 11 is a right-side view of a second embodiment of my seat design;

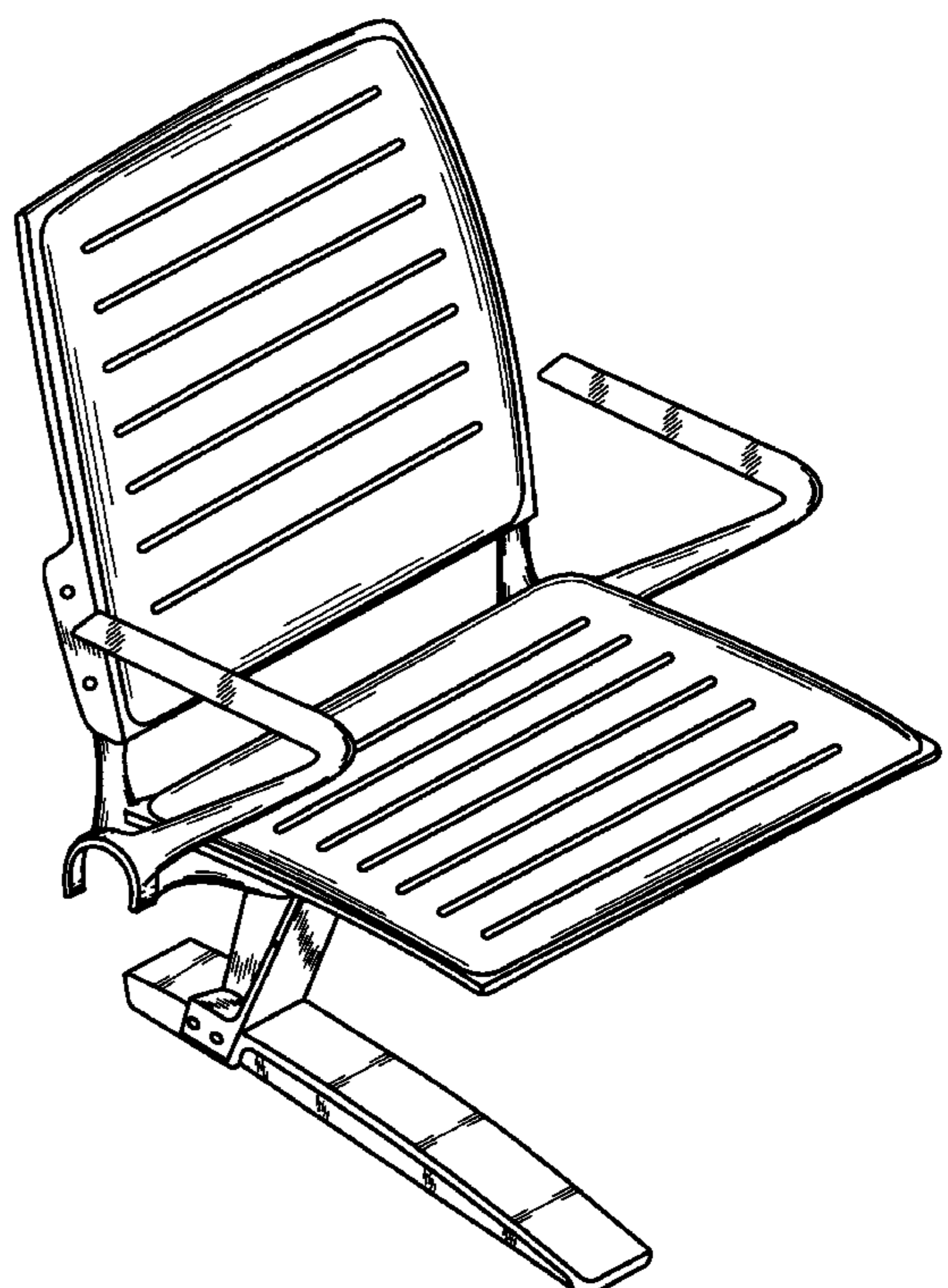
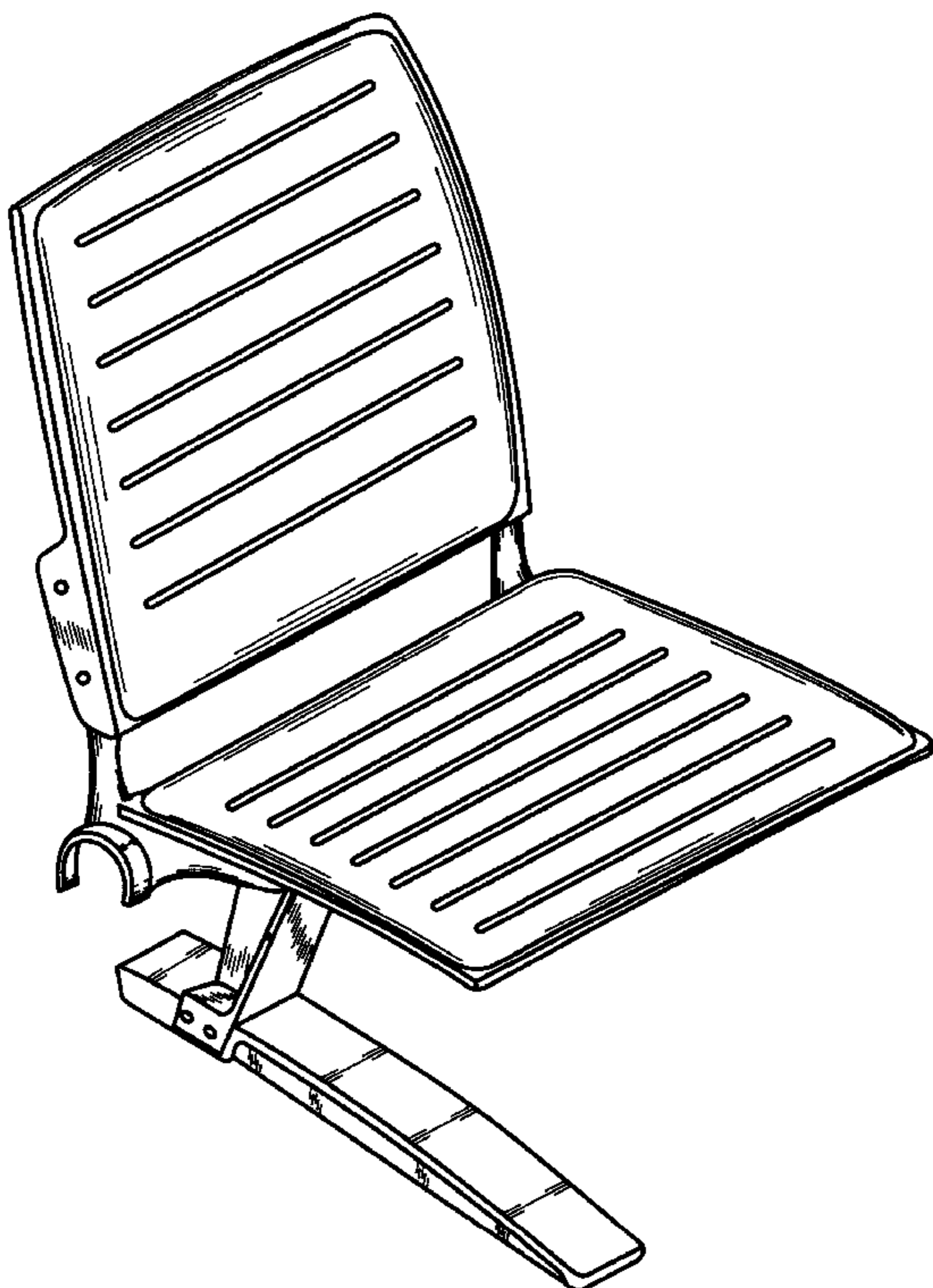
FIG. 12 is a left-side view of a second embodiment of my seat design;

FIG. 13 is a top view of a second embodiment of my seat design; and,

FIG. 14 is a bottom view of a second embodiment of my seat design.

The broken lines shown in the drawings are for illustrative purposes only and form no part of the claimed design.

1 Claim, 14 Drawing Sheets



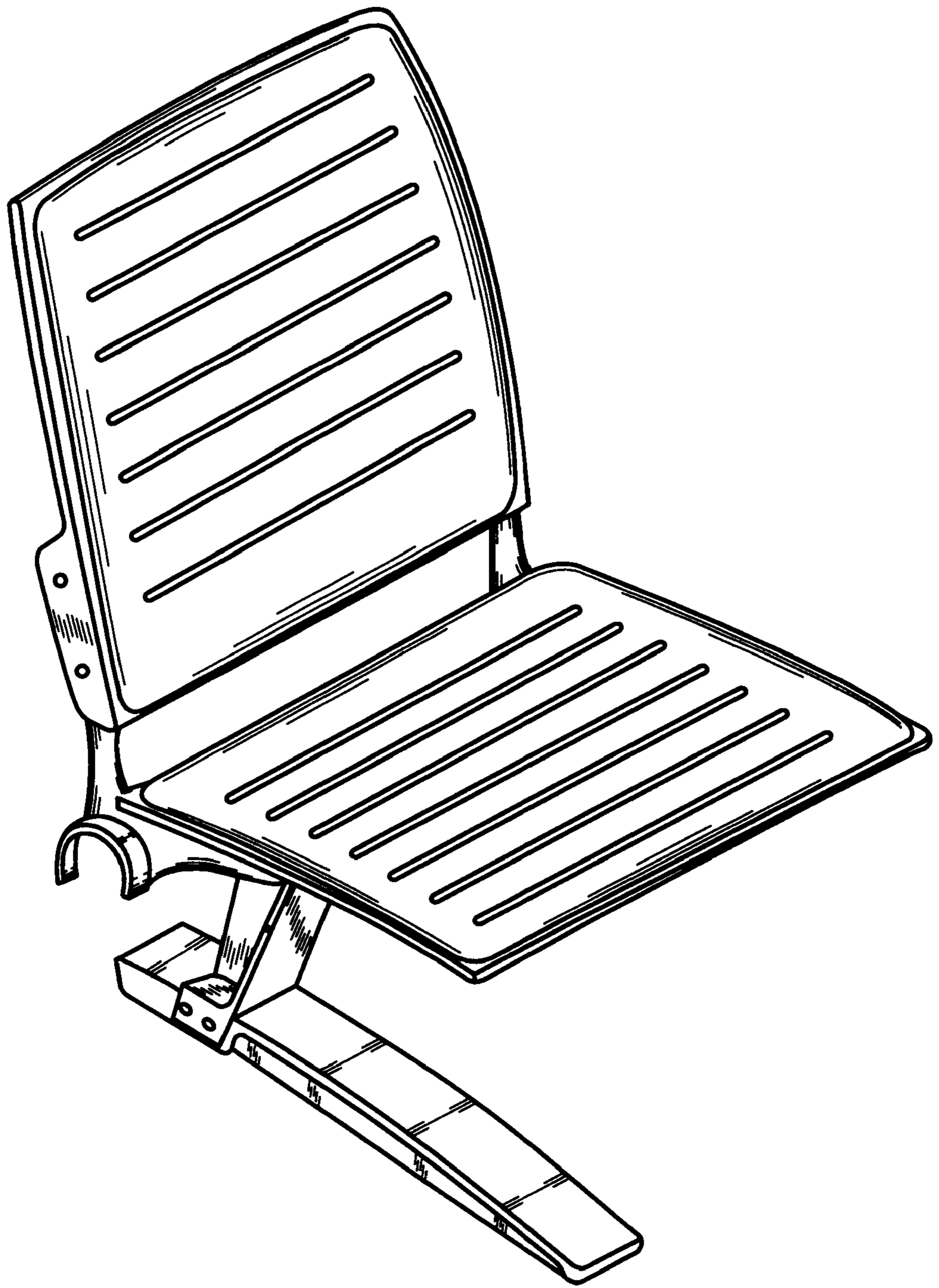


FIG. 1

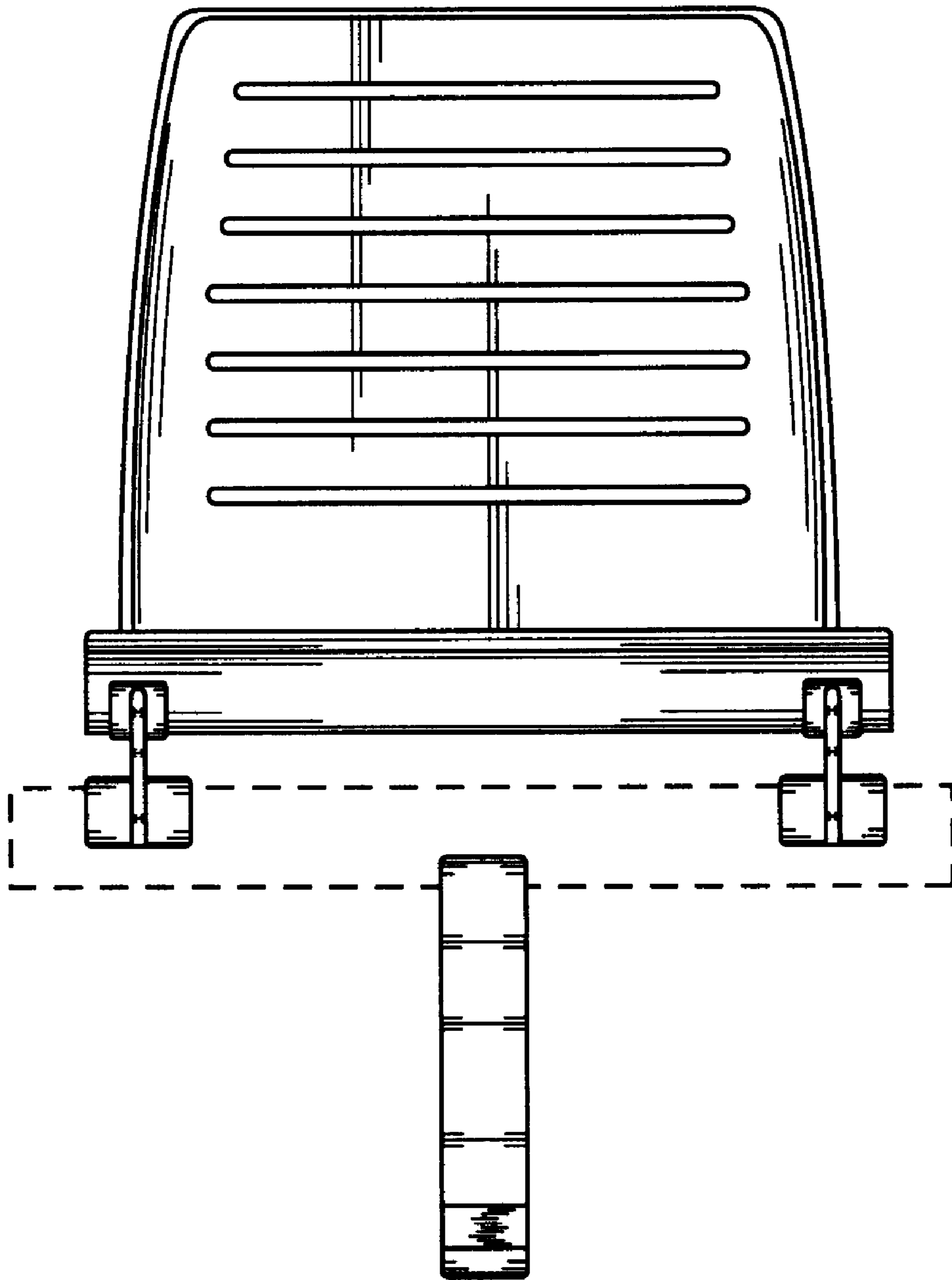


FIG. 2

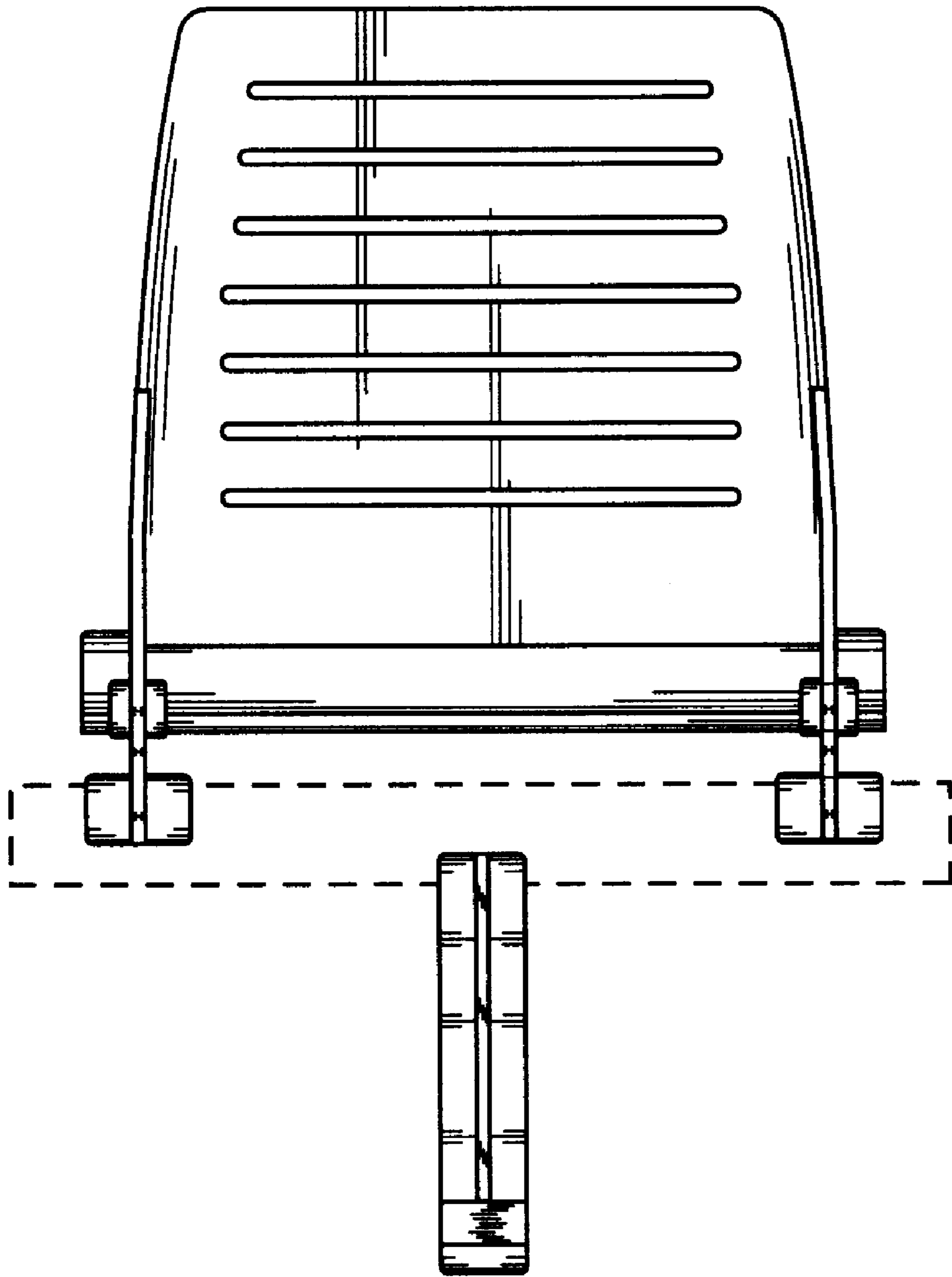


FIG. 3

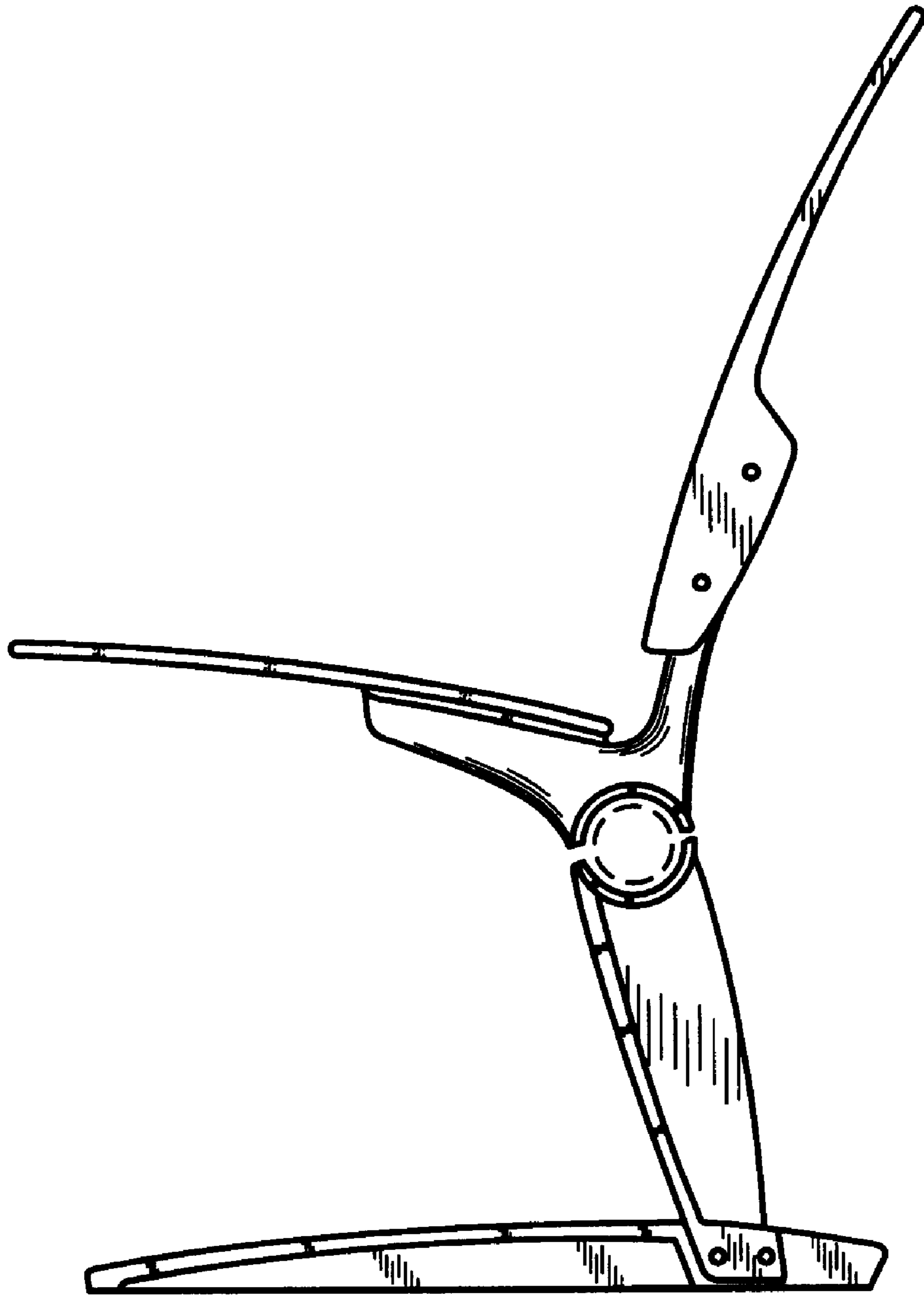


FIG. 4

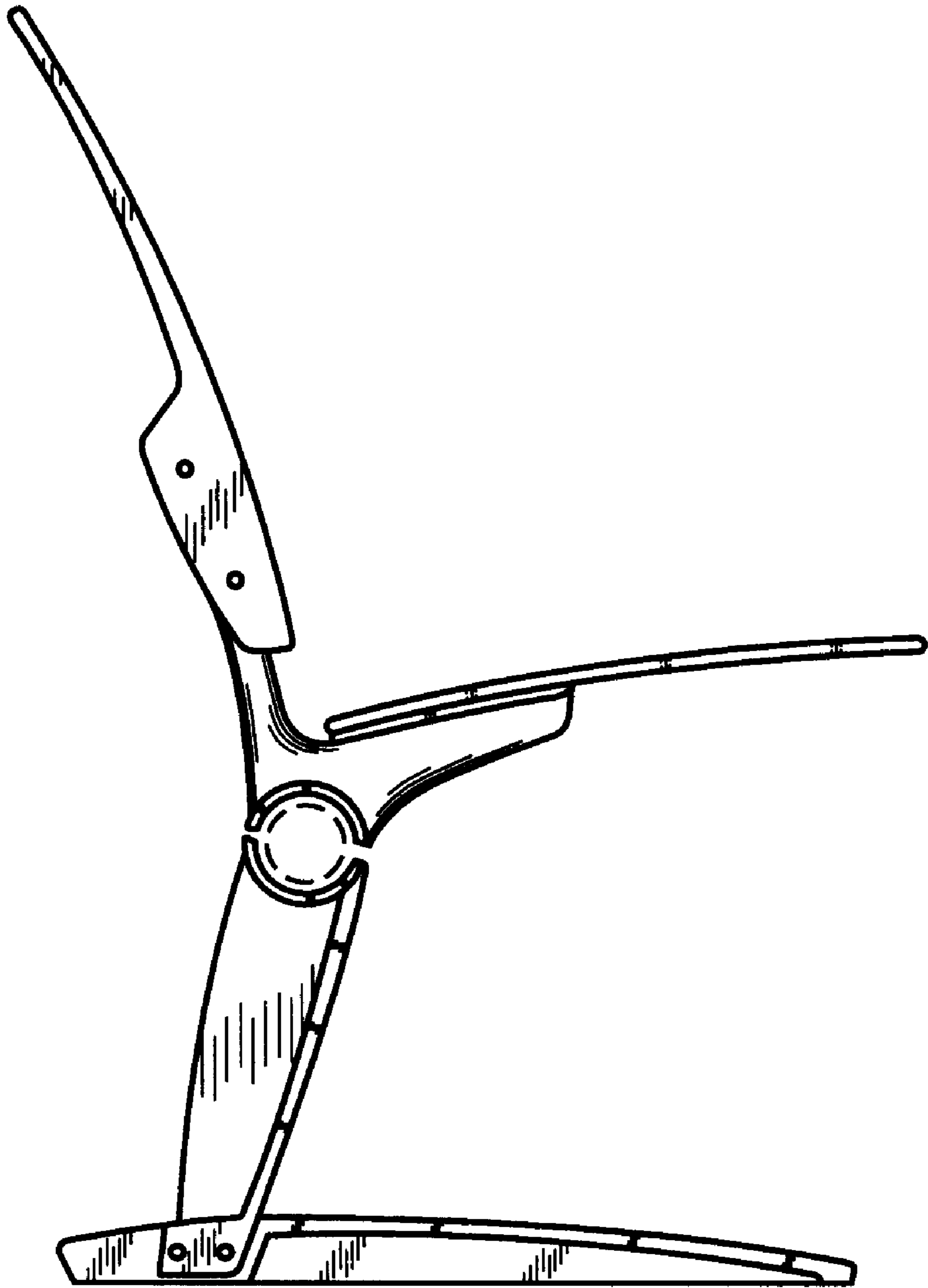


FIG. 5

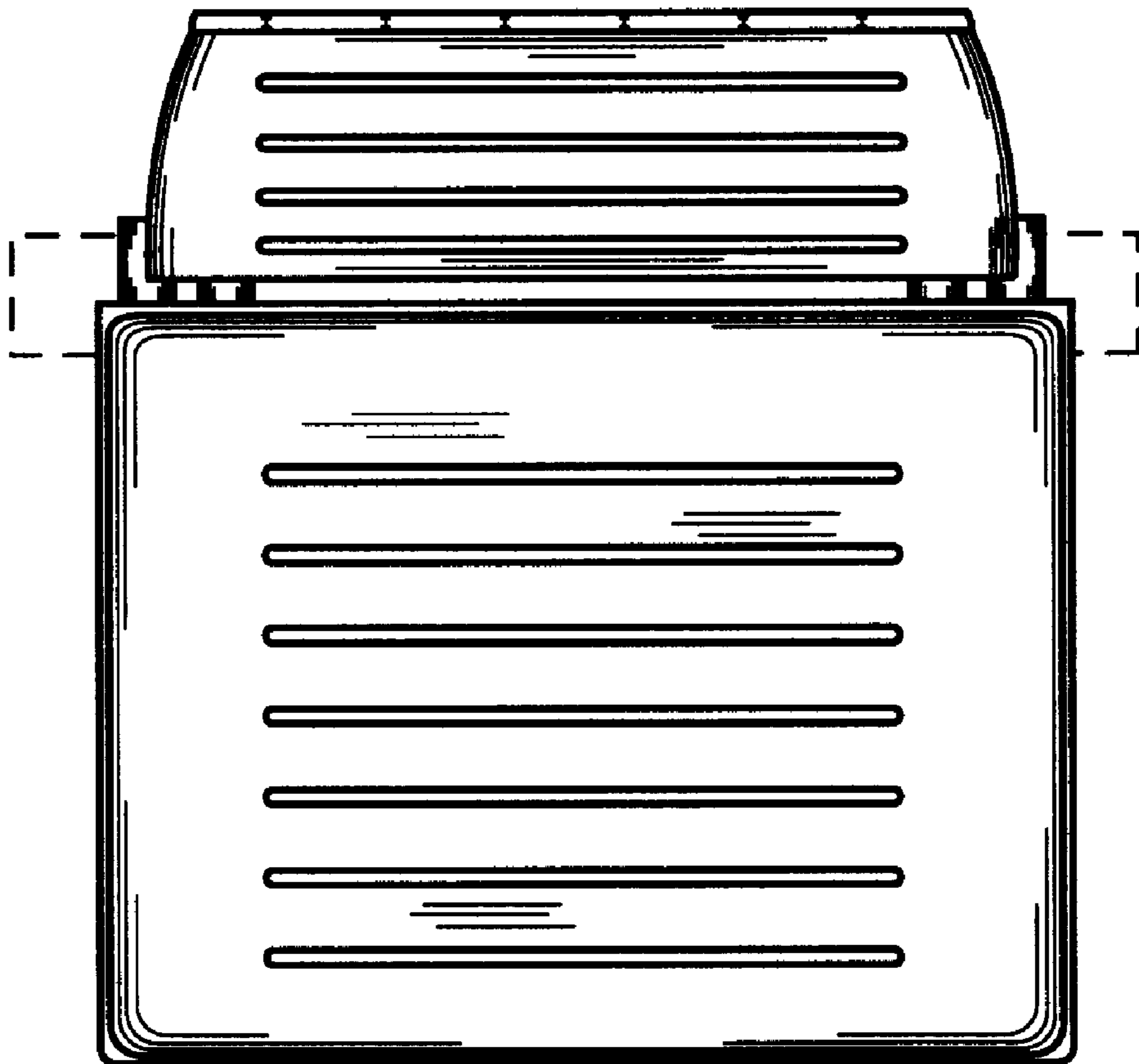


FIG. 6

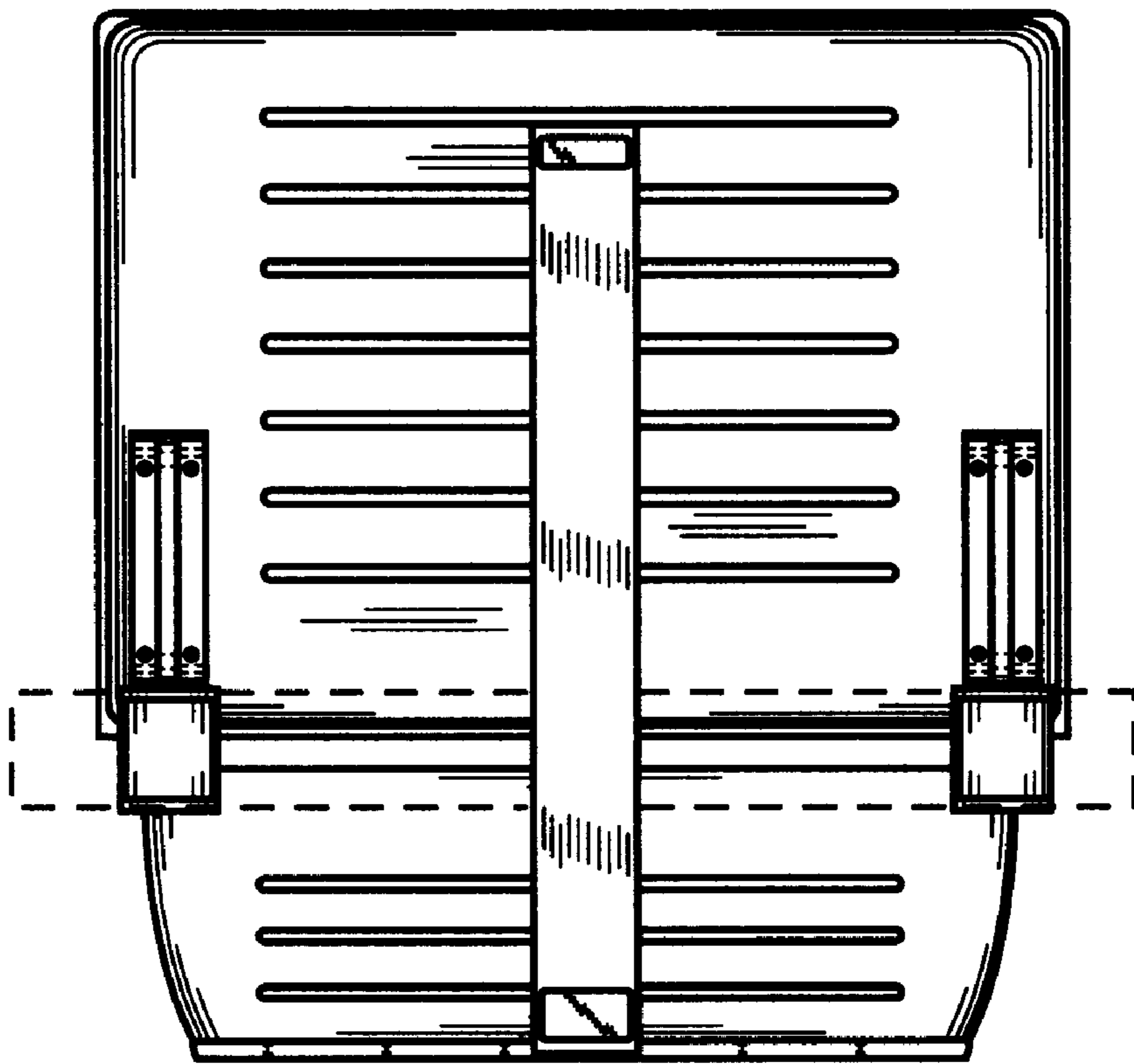


FIG. 7

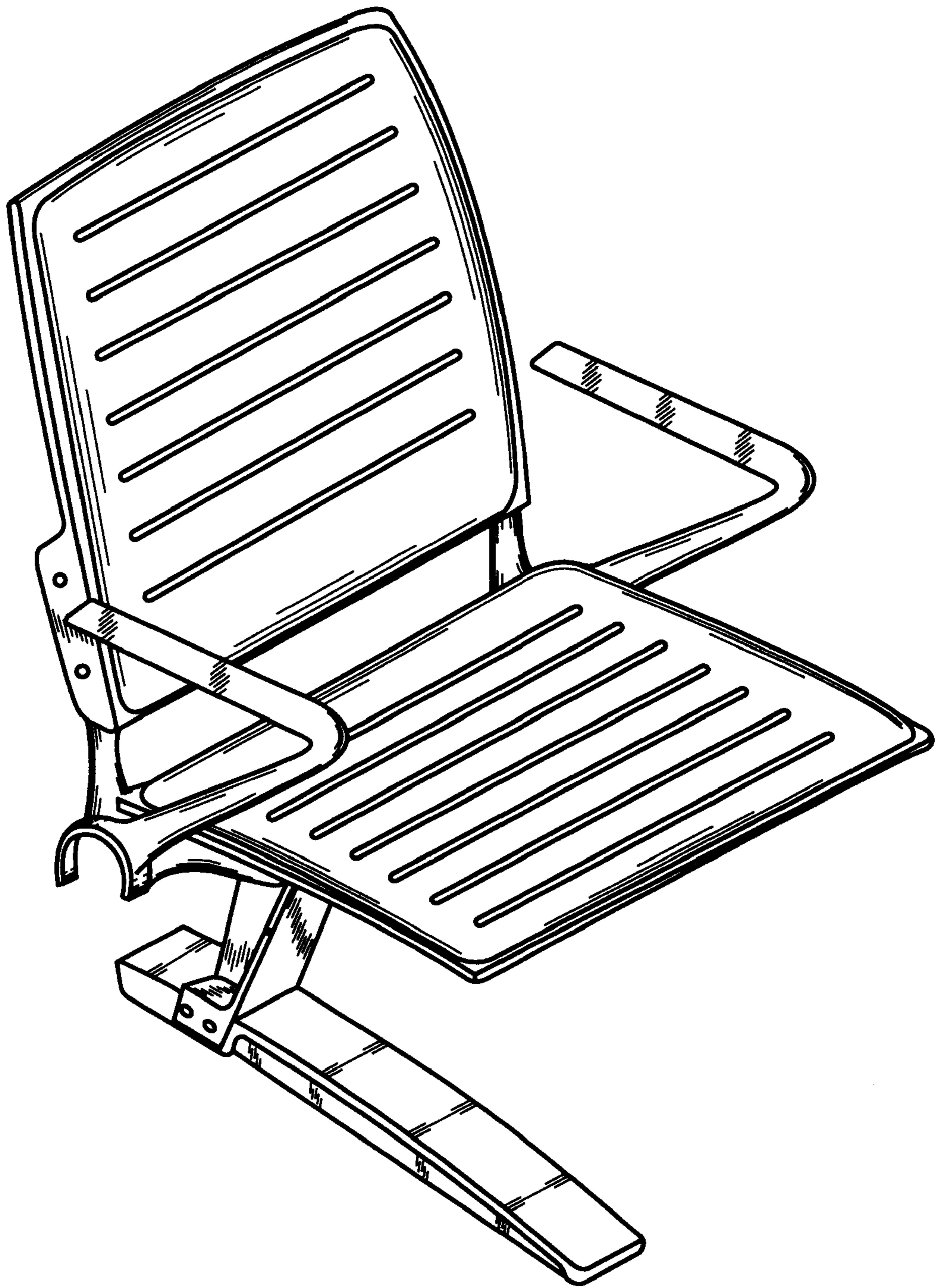


FIG. 8

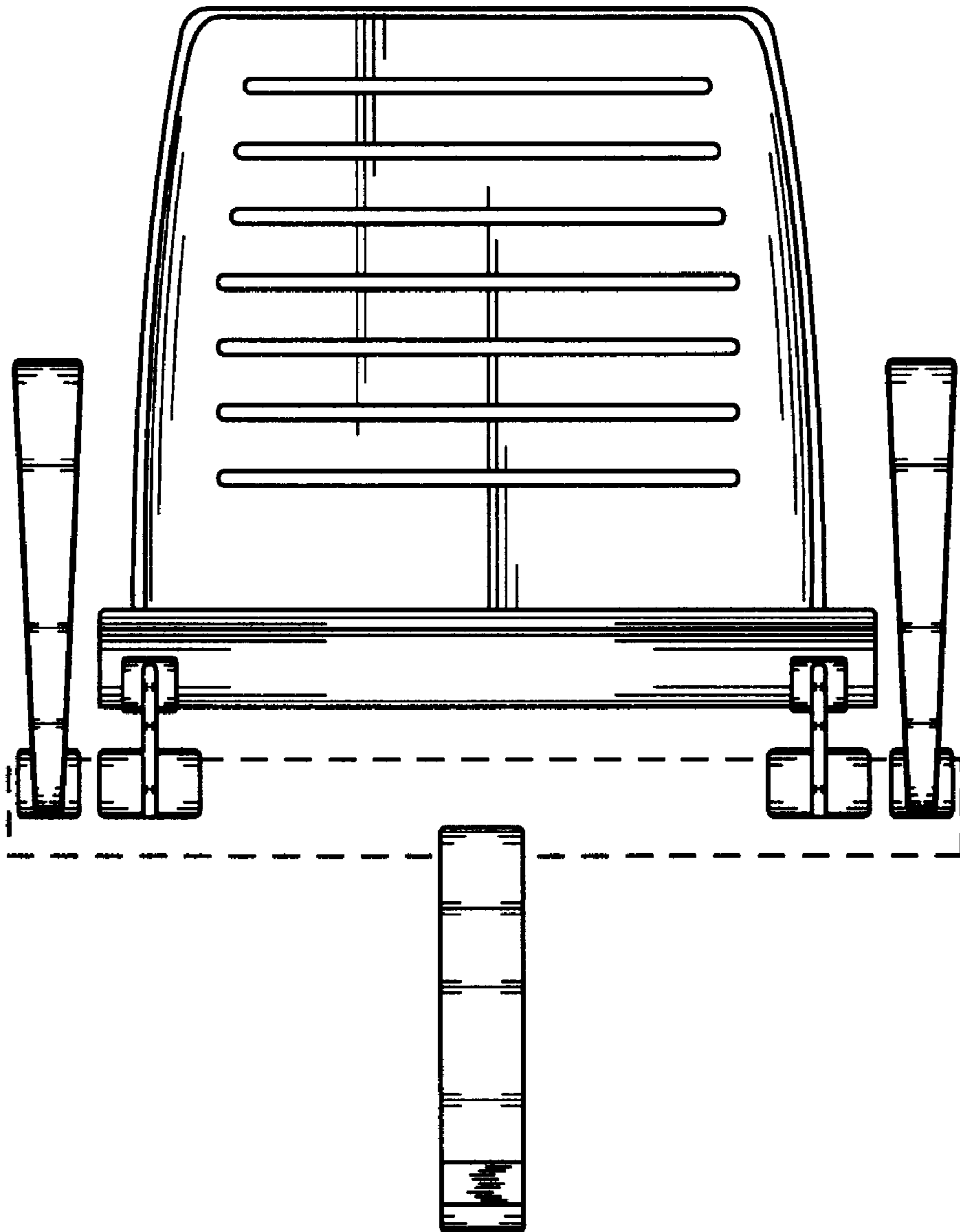


FIG. 9

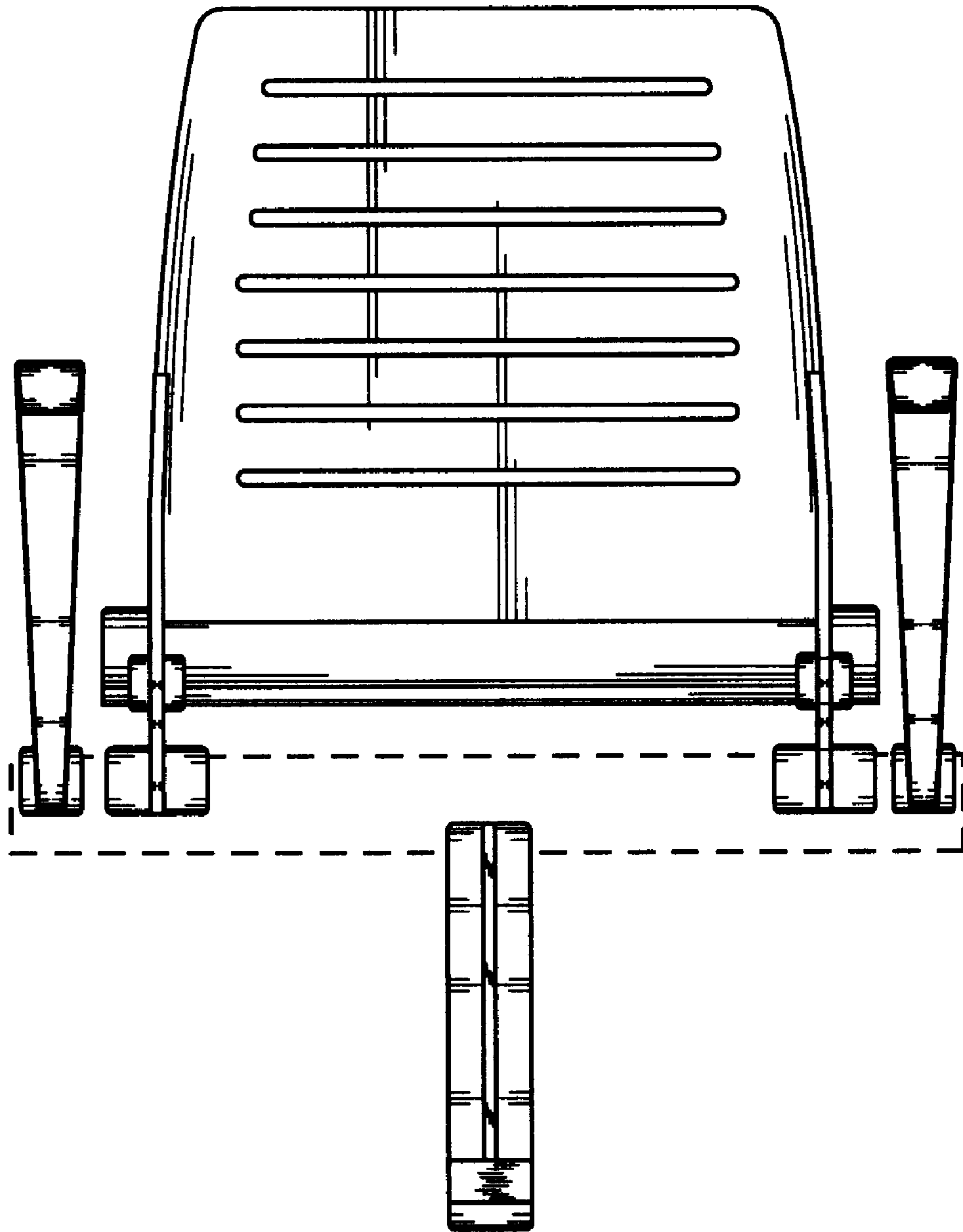


FIG. 10

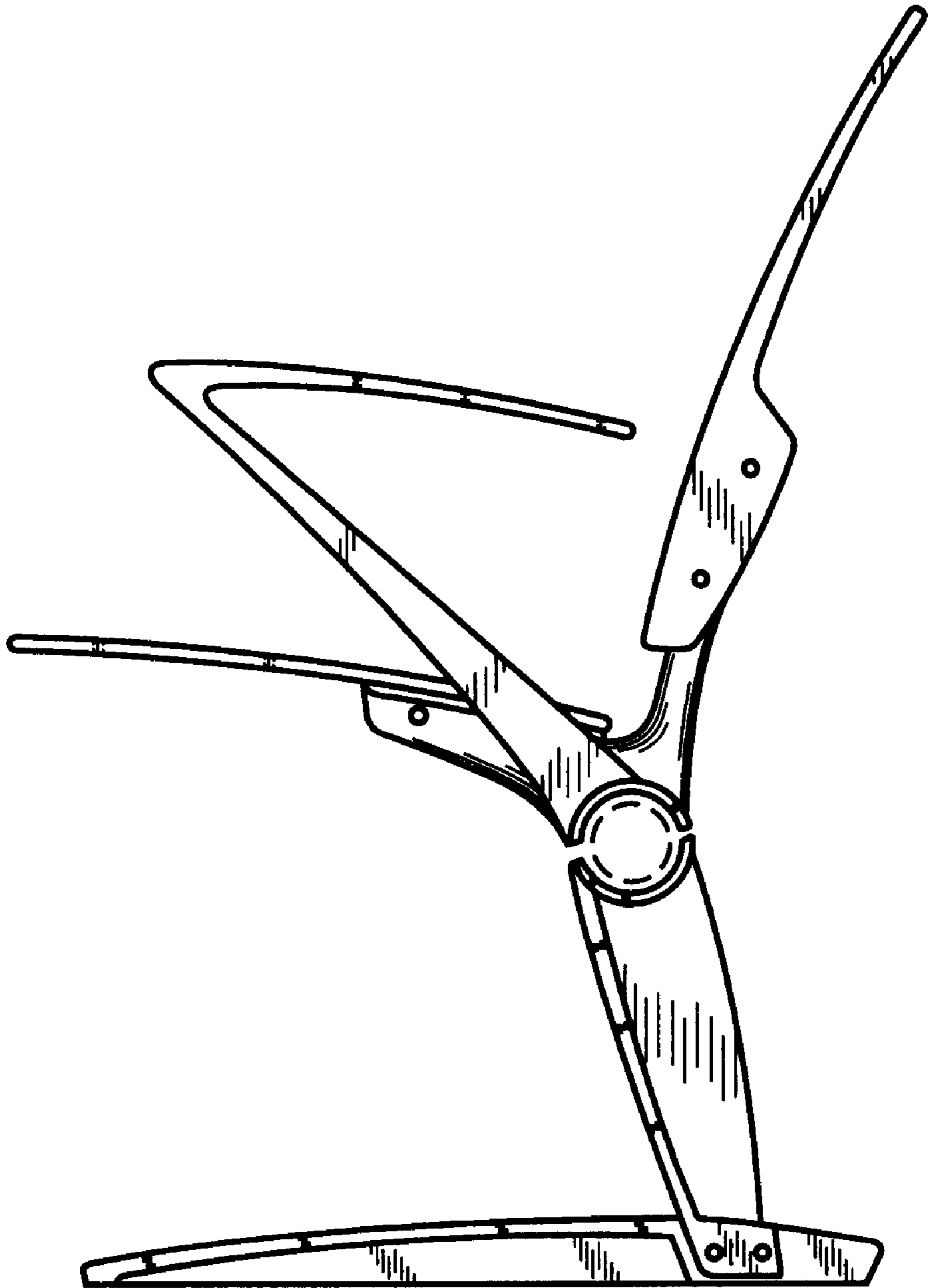


FIG. 11

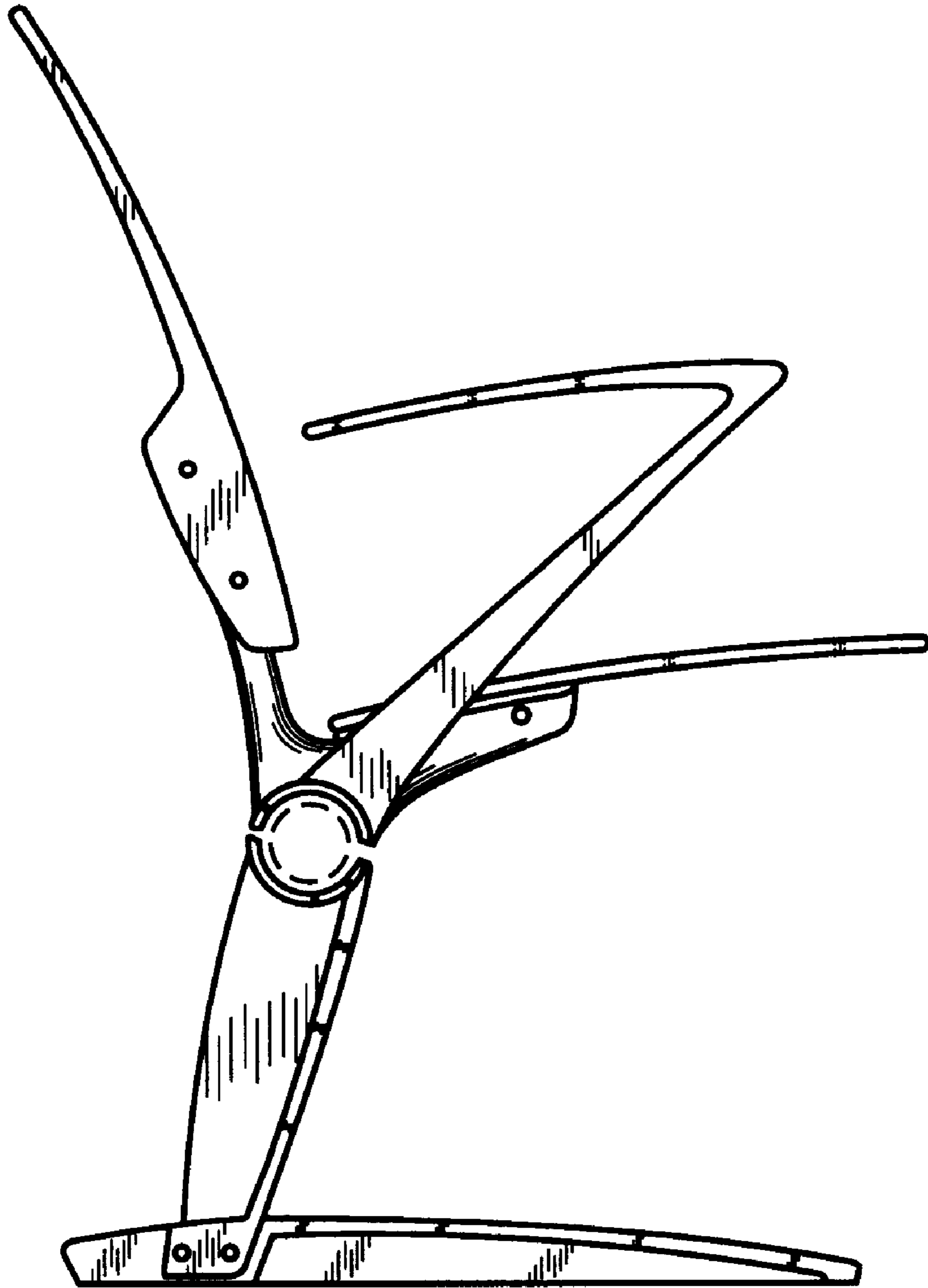


FIG. 12

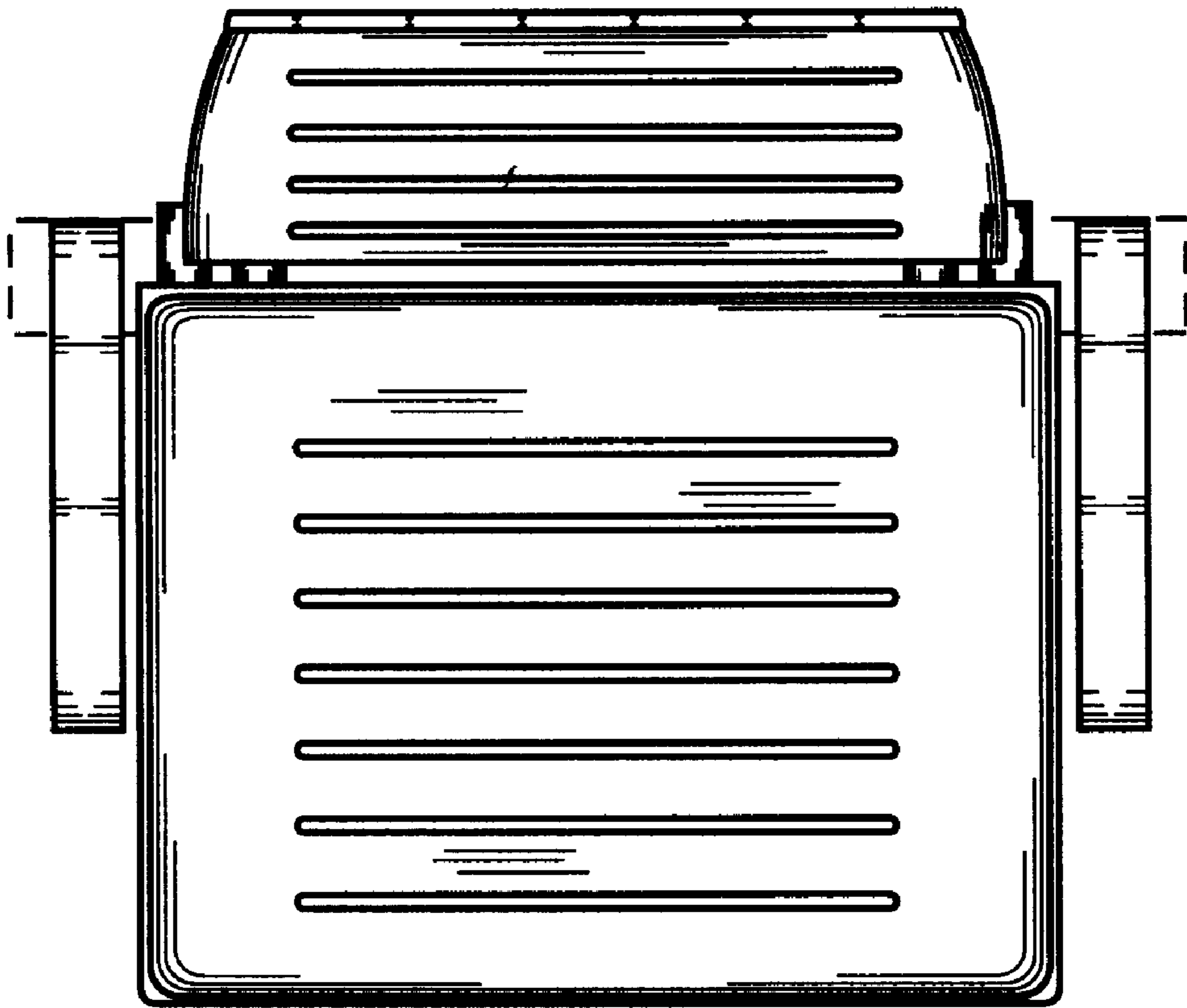


FIG. 13

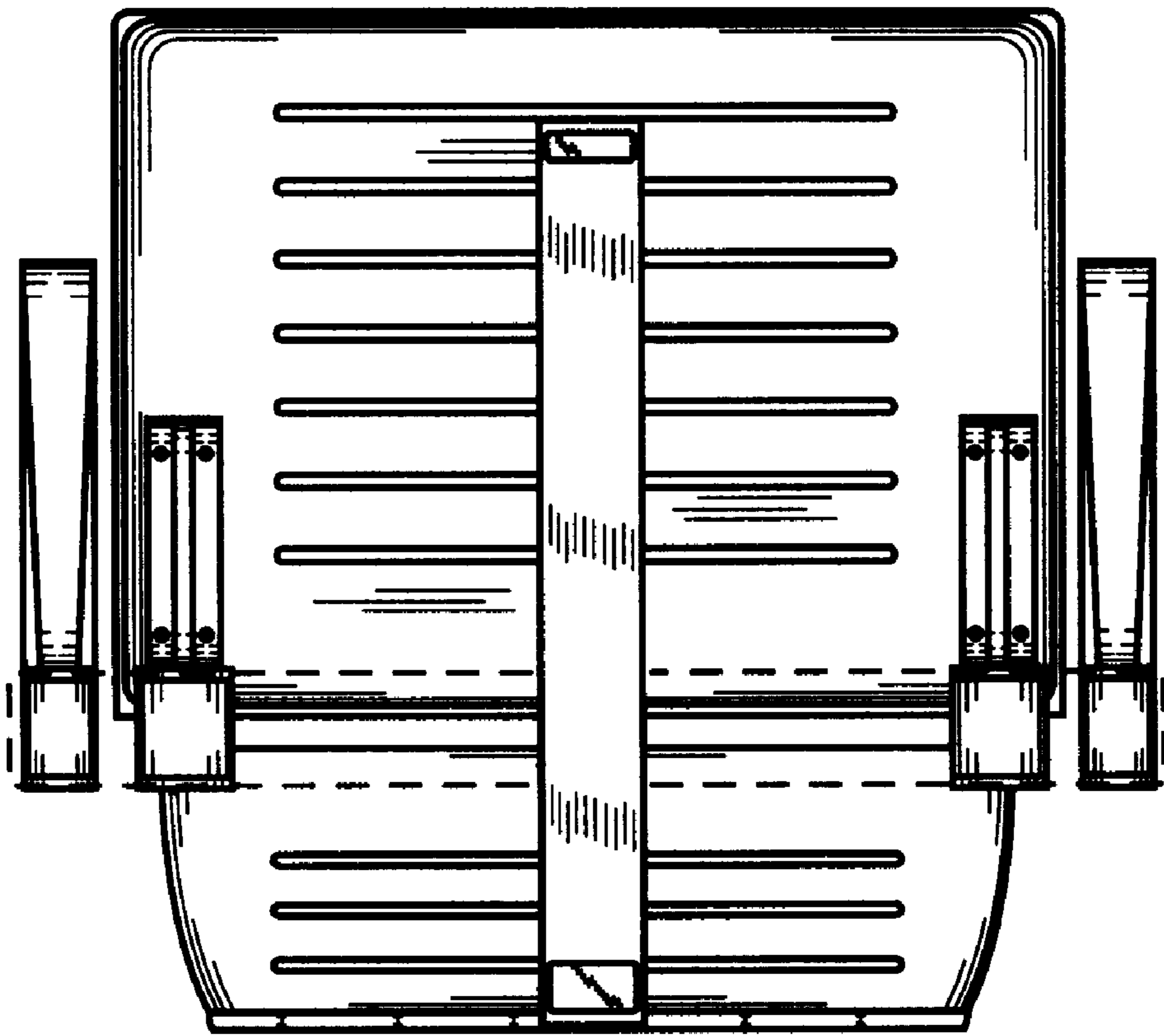


FIG. 14