



US00D448181B1

(12) **United States Design Patent**
Shergalis

(10) **Patent No.:** **US D448,181 S**

(45) **Date of Patent:** **** Sep. 25, 2001**

(54) **CLIP FOR HANGING GARMENTS**

3,650,442 * 3/1972 Berns et al. 223/87

(76) Inventor: **Edward Shergalis**, 150 E. 91st St.,
New York, NY (US) 10128

* cited by examiner

(**) Term: **14 Years**

Primary Examiner—B. J. Bullock

(74) *Attorney, Agent, or Firm*—Charles E. Temko

(21) Appl. No.: **29/099,980**

(57) **CLAIM**

(22) Filed: **Feb. 1, 1999**

The ornamental design for a clip for hanging garments, as shown and described.

(51) **LOC (7) Cl.** **06-08**

DESCRIPTION

(52) **U.S. Cl.** **D6/315; D6/318; D9/457**

FIG. 1 is a top plan view showing my new design for a clip for hanging garments;

(58) **Field of Search** **D6/315, 318, 319,**

D6/513; D9/457; 223/85, 87; 211/113;

206/294, 295, 806

FIG. 2 is a front elevational view thereof;

FIG. 3 is a right side elevational view thereof, the left side elevational view being identical thereof;

FIG. 4 is a bottom plan view thereof; and,

FIG. 5 is a reduced view in perspective showing the clip in use hanging garments which are shown in broken lines for illustrative purposes only forming no part of the claimed design.

(56) **References Cited**

U.S. PATENT DOCUMENTS

D. 323,069 * 1/1992 Leese D6/315

D. 343,122 * 1/1994 Harper D9/457

2,247,372 * 7/1941 Hart .

3,458,093 * 7/1969 Bacharach .

1 Claim, 2 Drawing Sheets

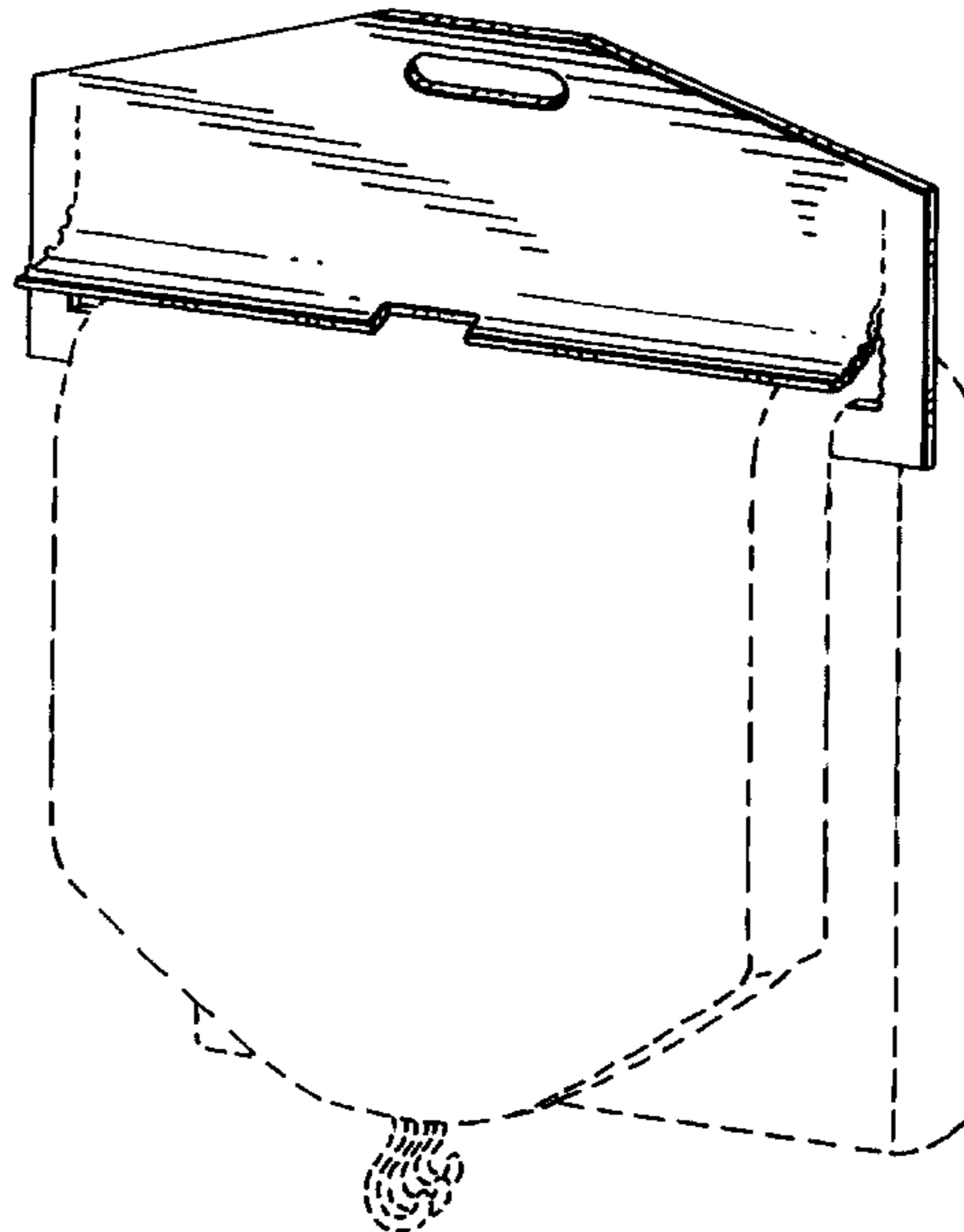
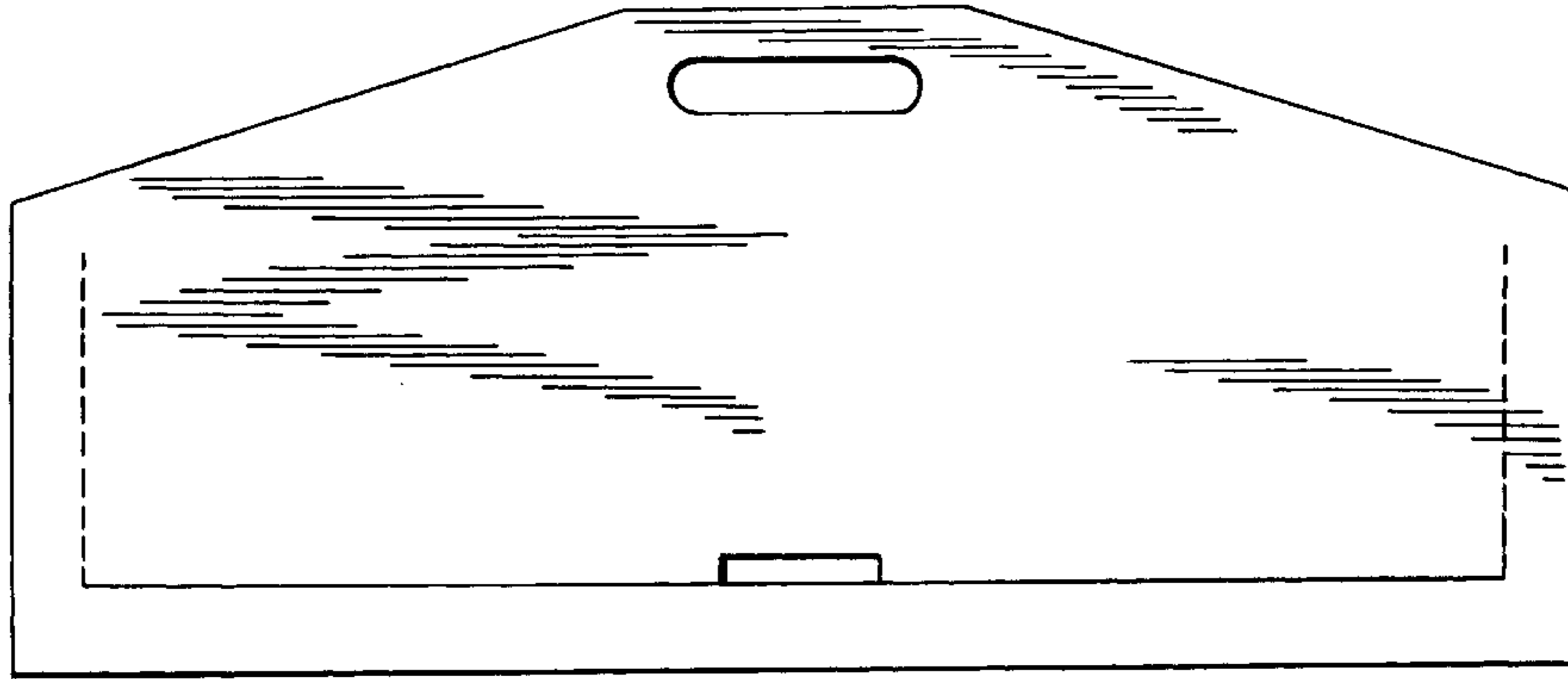


FIG. 1



FIG. 2

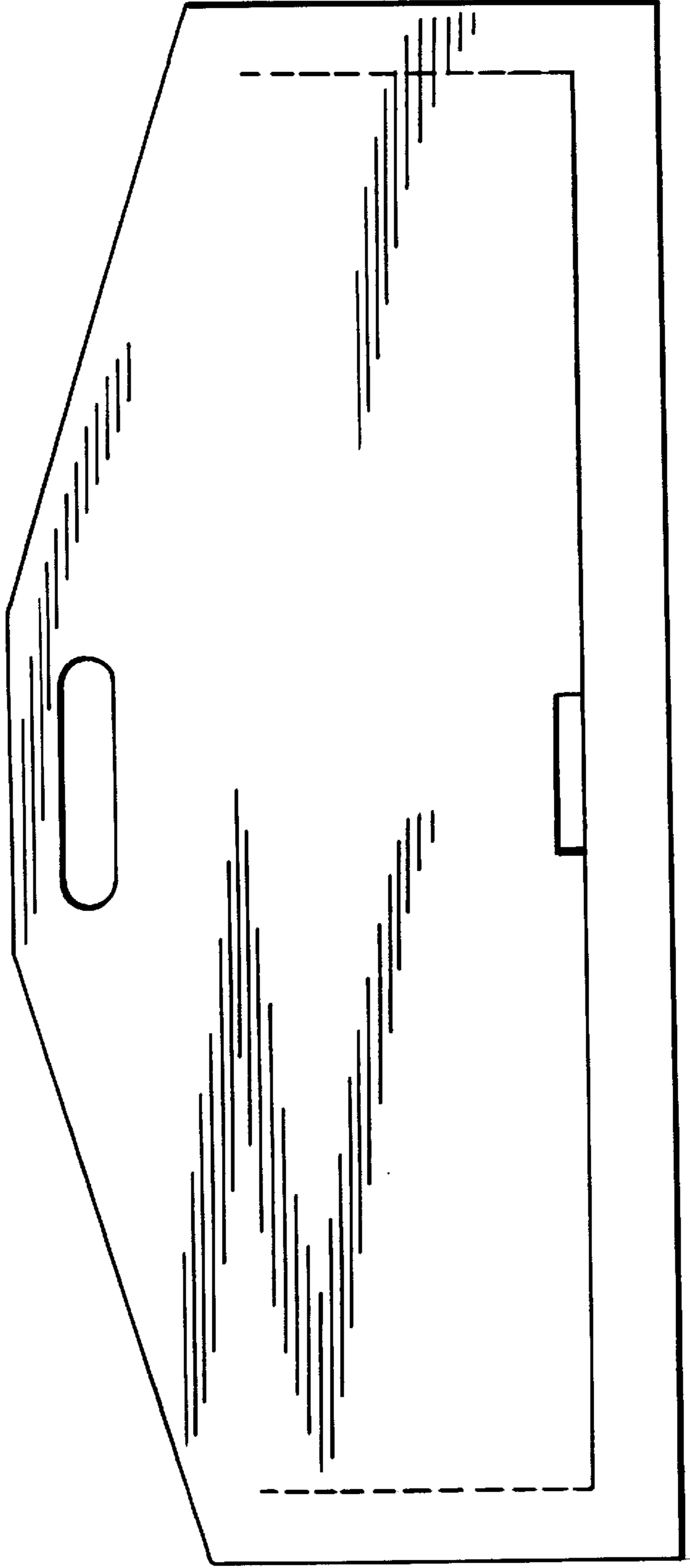


FIG. 3



