



US00D448179B1

(12) **United States Design Patent**
Lewis

(10) **Patent No.:** **US D448,179 S**

(45) **Date of Patent:** **** Sep. 25, 2001**

(54) **SET OF SURFACE PATTERNS FOR A TAPESTRY FOR A CHAIR**

(76) **Inventor:** **Sally Sirkin Lewis**, 715 Canon Dr., Beverly Hills, CA (US) 90210

(*) **Notice:** This patent is subject to a terminal disclaimer.

(**) **Term:** **14 Years**

(21) **Appl. No.:** **29/120,296**

(22) **Filed:** **Mar. 17, 2000**

(51) **LOC (7) Cl.** **05-03**

(52) **U.S. Cl.** **D5/62; D5/99; D6/500**

(58) **Field of Search** **D5/20, 35, 55, D5/60, 61, 62, 99; 428/187, 542.2, 542.6, 904.4; D6/334, 379, 380, 500, 501, 502, 611**

(56) **References Cited**

U.S. PATENT DOCUMENTS

- D. 50,887 6/1917 Godfrey .
- D. 51,109 8/1917 Hanson et al. .

(List continued on next page.)

Primary Examiner—Robert M. Spear

(74) *Attorney, Agent, or Firm*—Finnegan, Henderson, Farabow, Garrett & Dunner, L.L.P.

(57) **CLAIM**

The ornamental design for set of surface patterns for a tapestry for a chair, as shown and described.

DESCRIPTION

FIG. 1 is a front and side perspective view of my set of surface patterns for a tapestry for a chair according to a first embodiment;

FIG. 2 is a back and side perspective view of the set of surface patterns for a tapestry for a chair of FIG. 1;

FIG. 3 is a front view of the set of surface patterns for a tapestry for a chair of FIG. 1;

FIG. 4 is a top view of the set of surface patterns for a tapestry for a chair of FIG. 1;

FIG. 5 is a left side view of the set of surface patterns for a tapestry for a chair of FIG. 1;

FIG. 6 is a right side view of the set of surface patterns for a tapestry for a chair of FIG. 1;

FIG. 7 is a rear view of the set of surface patterns for a tapestry for a chair of FIG. 1;

FIG. 8 is a front and side perspective view of my set of surface patterns for a tapestry for a chair according to a second embodiment;

FIG. 9 is a back and side perspective view of the set of surface patterns for a tapestry for a chair of FIG. 8;

FIG. 10 is a front view of the set of surface patterns for a tapestry for a chair of FIG. 8;

FIG. 11 is a top view of the set of surface patterns for a tapestry for a chair of FIG. 8;

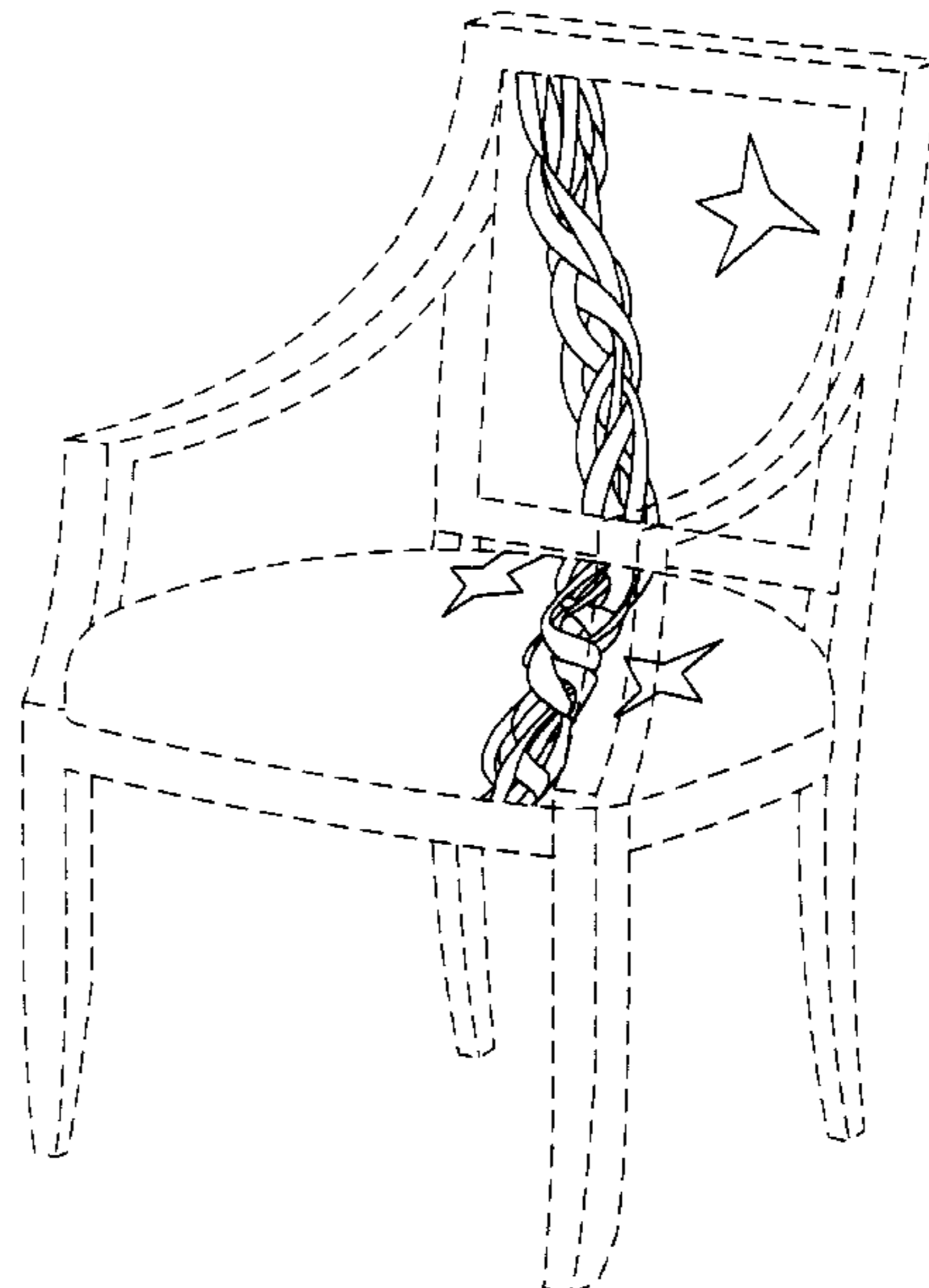
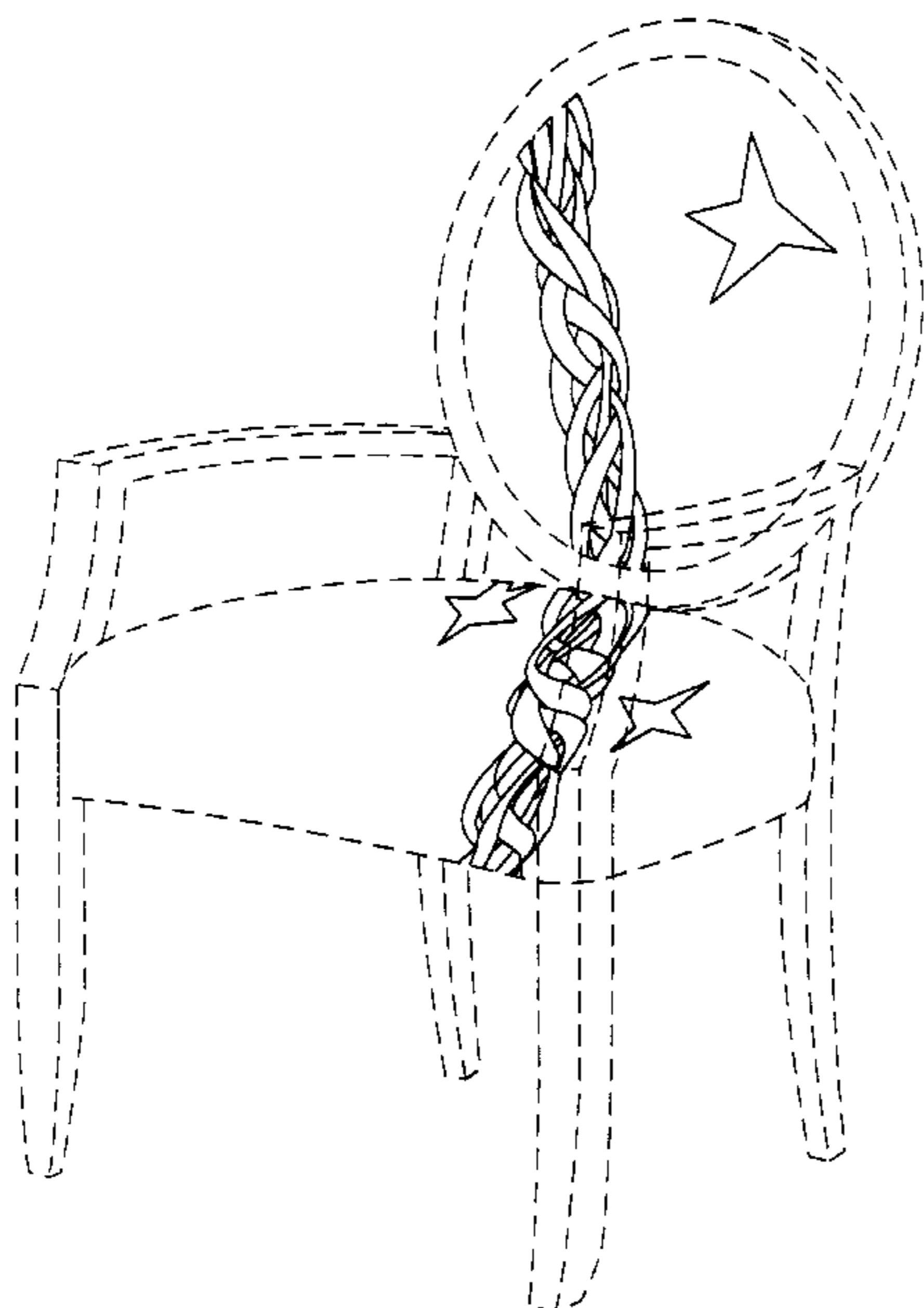
FIG. 12 is a left side view of the set of surface patterns for a tapestry for a chair of FIG. 8;

FIG. 13 is a right side view of the set of surface patterns for a tapestry for a chair of FIG. 8; and,

FIG. 14 is a rear view of the set of surface patterns for a tapestry for a chair of FIG. 8.

In the drawings, the broken lines adjacent to each pattern define the boundaries of the claimed patterns as well as the tapestry to which the patterns are applied; the broken line showings of a chair are for illustrative purposes only. The broken lines form no part of the claimed design.

1 Claim, 14 Drawing Sheets



US D448,179 S

Page 2

U.S. PATENT DOCUMENTS

D. 51,320	10/1917	Nathan .	
D. 68,724	* 11/1925	Marwede	D5/62
D. 78,731	6/1929	Danzer .	
D. 88,196	* 11/1932	Willheim	D5/62
D. 88,528	12/1932	George .	
D. 88,693	* 12/1932	Villani	D5/62
D. 88,826	* 12/1932	Roberson	D5/62
D. 89,266	2/1933	Schweizer .	
D. 89,357	* 2/1933	Rubinger	D5/62
D. 91,880	4/1934	Herrel .	
D. 96,016	* 6/1935	Bruine	D5/62
D. 100,433	* 7/1936	Martin	D5/62
D. 101,988	11/1936	Heim .	
D. 103,093	2/1937	Chiat .	
D. 105,961	* 9/1937	Mallinson	D5/62
D. 109,423	4/1938	Salomon .	
D. 113,303	2/1939	Kornfeld .	
D. 119,495	3/1940	Grivin .	
D. 121,041	6/1940	Orian .	
D. 122,735	9/1940	Christen .	
D. 125,471	2/1941	Hand .	
D. 125,955	3/1941	Lebworth .	
D. 129,252	8/1941	Zavell .	
D. 129,870	10/1941	Maisch .	
D. 155,527	10/1949	Minger .	
D. 168,703	* 1/1953	Odzer	D5/62
D. 186,259	9/1959	Howell .	
D. 191,936	12/1961	McEwan .	
D. 283,973	* 5/1986	Hougaard	D5/62
D. 317,085	5/1991	Cerny .	
D. 342,629	* 12/1993	Tseng	D6/370
D. 364,743	12/1995	Lewis .	
D. 373,253	* 9/1996	Maple	D6/370
D. 423,834	* 5/2000	Lewis	D6/500
D. 424,335	* 5/2000	Lewis	D6/500
5,067,771	* 11/1991	Ellis	D6/500 X

* cited by examiner

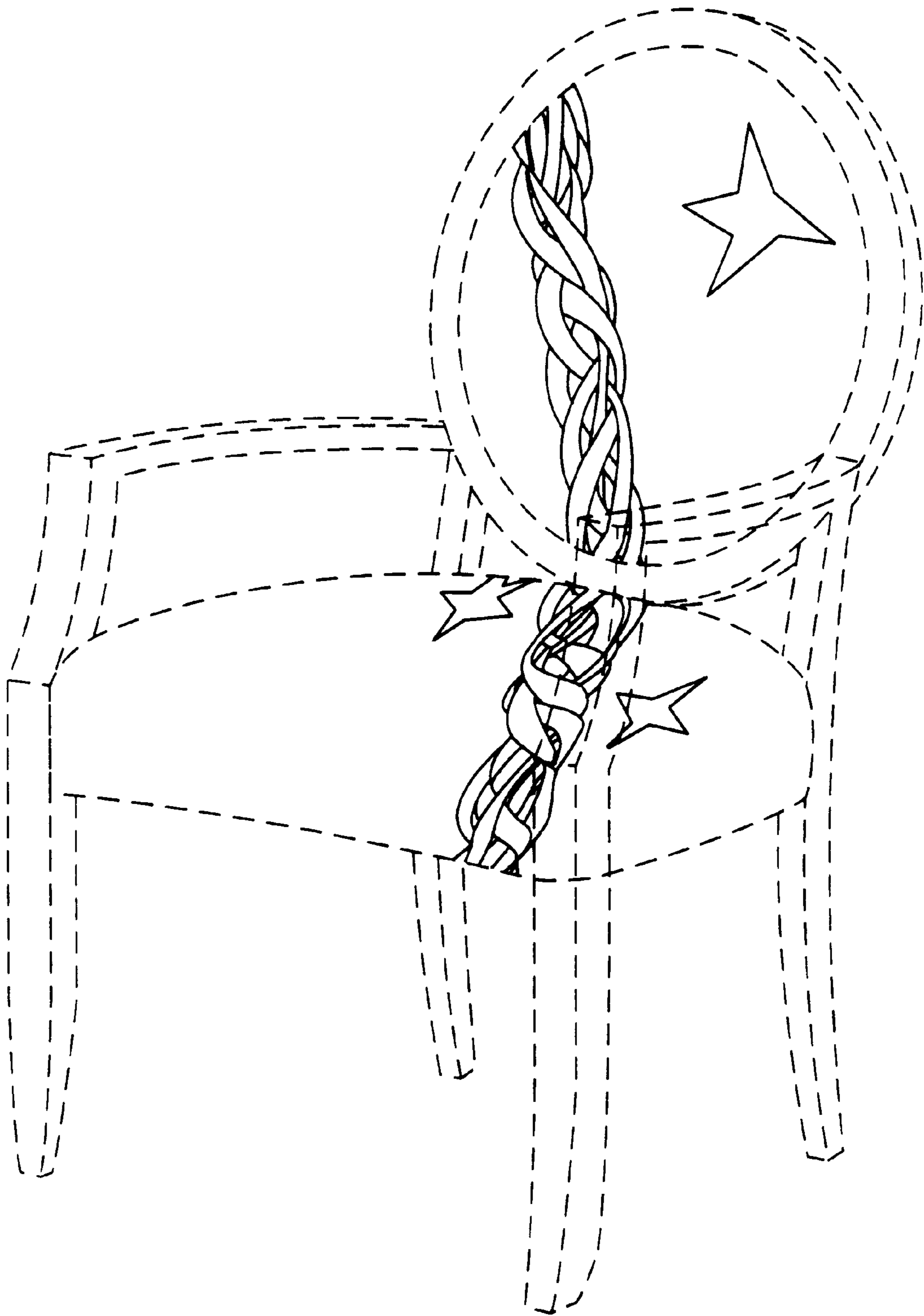


FIG. 1

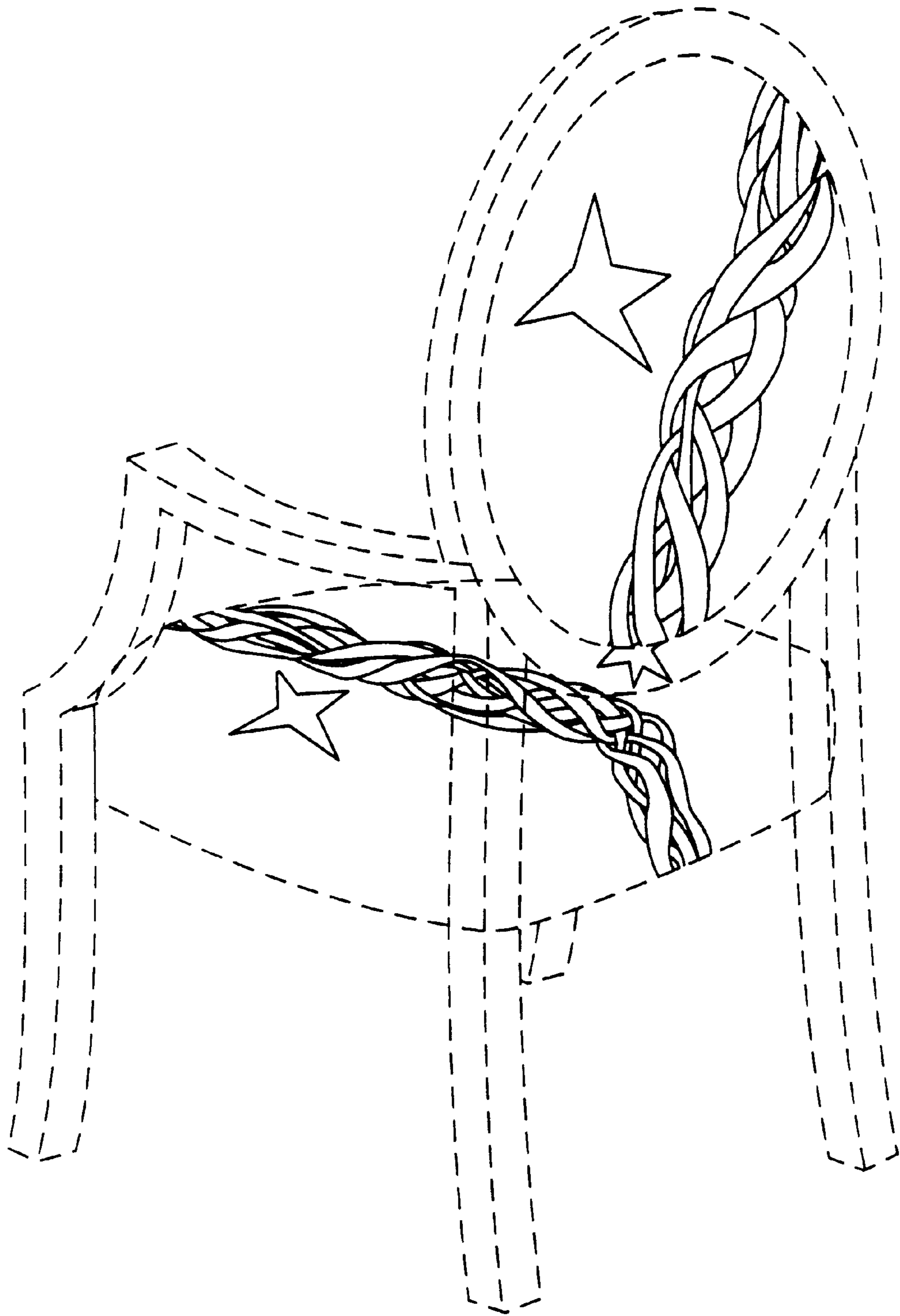


FIG. 2

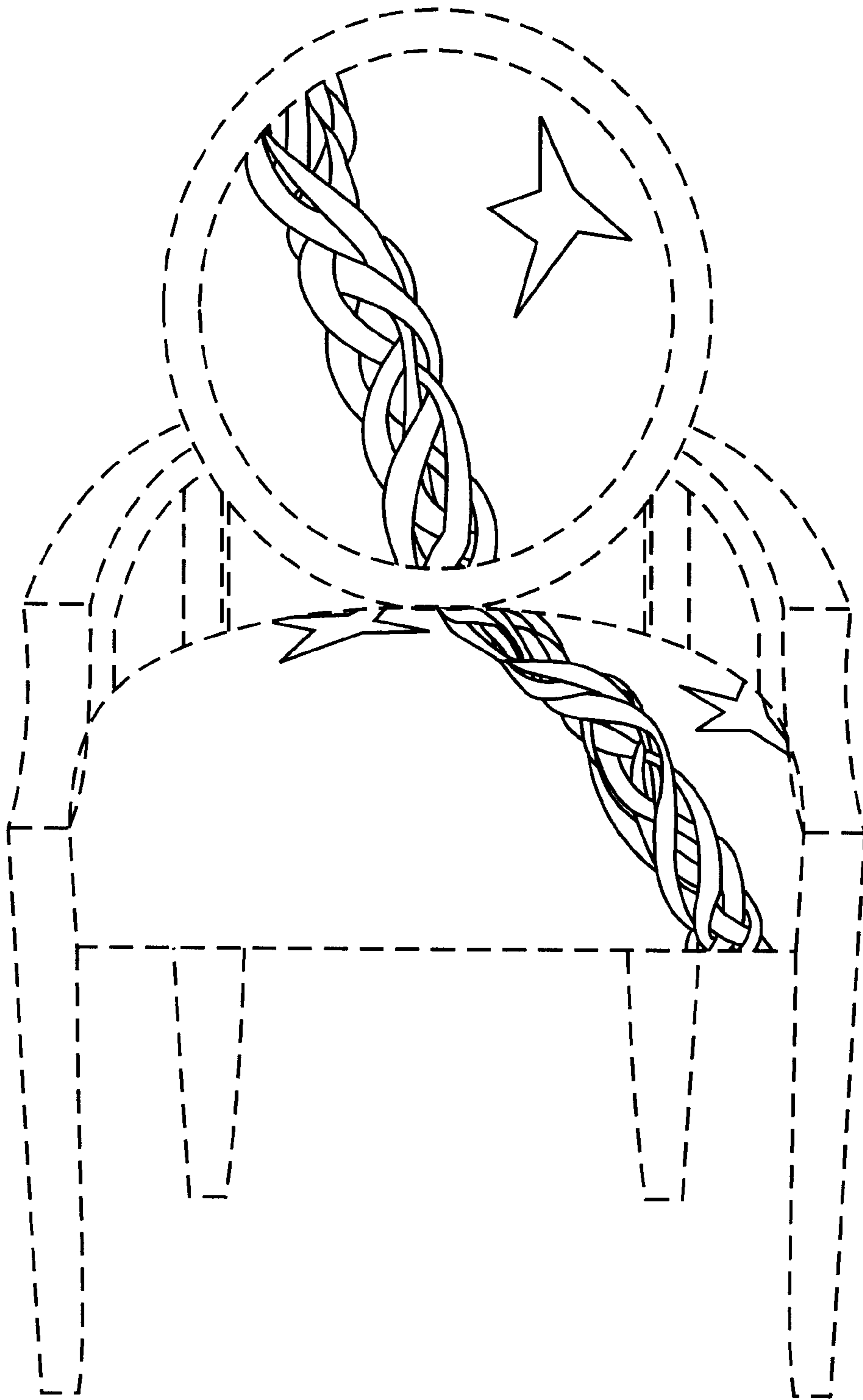


FIG. 3

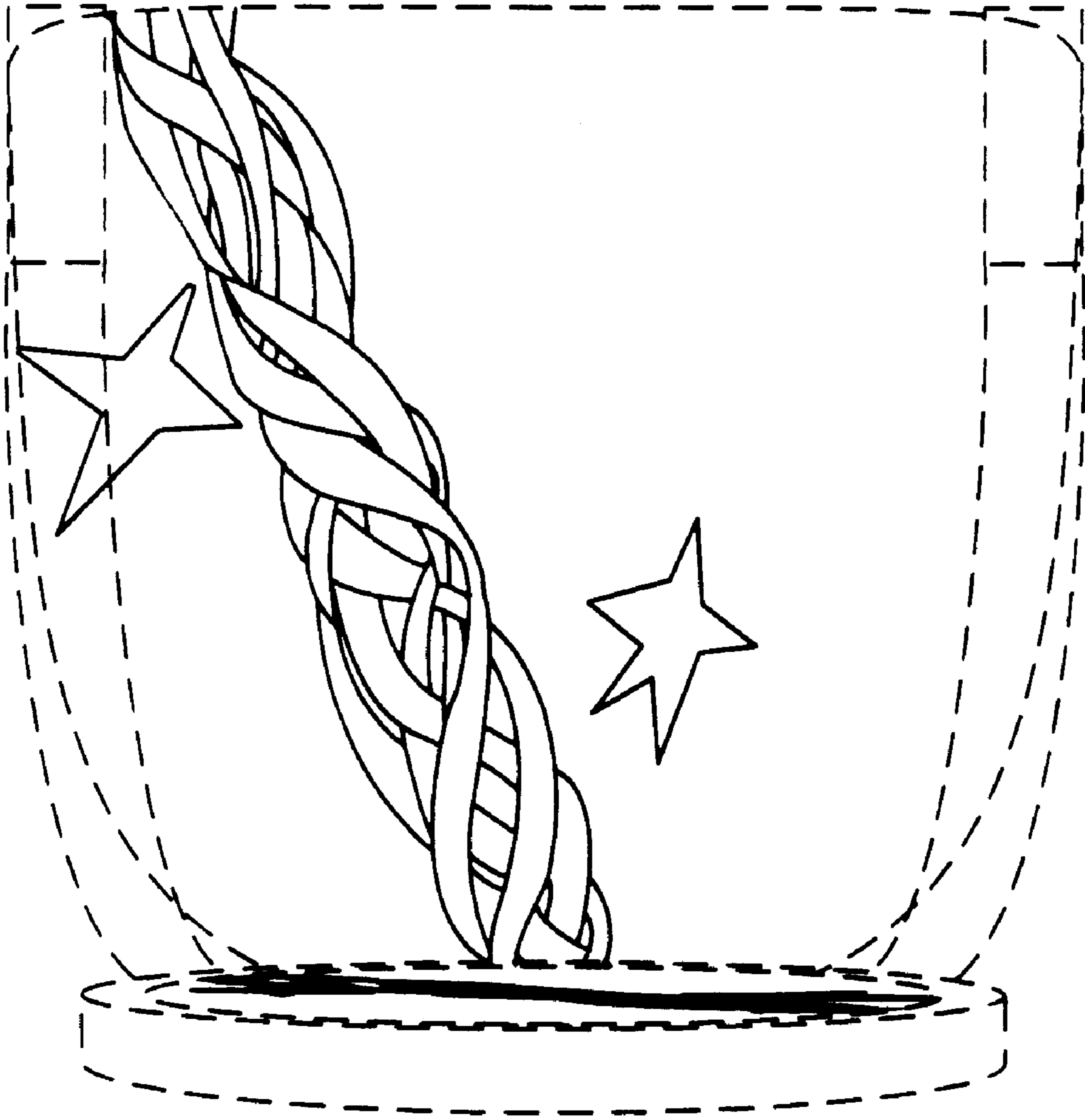


FIG. 4

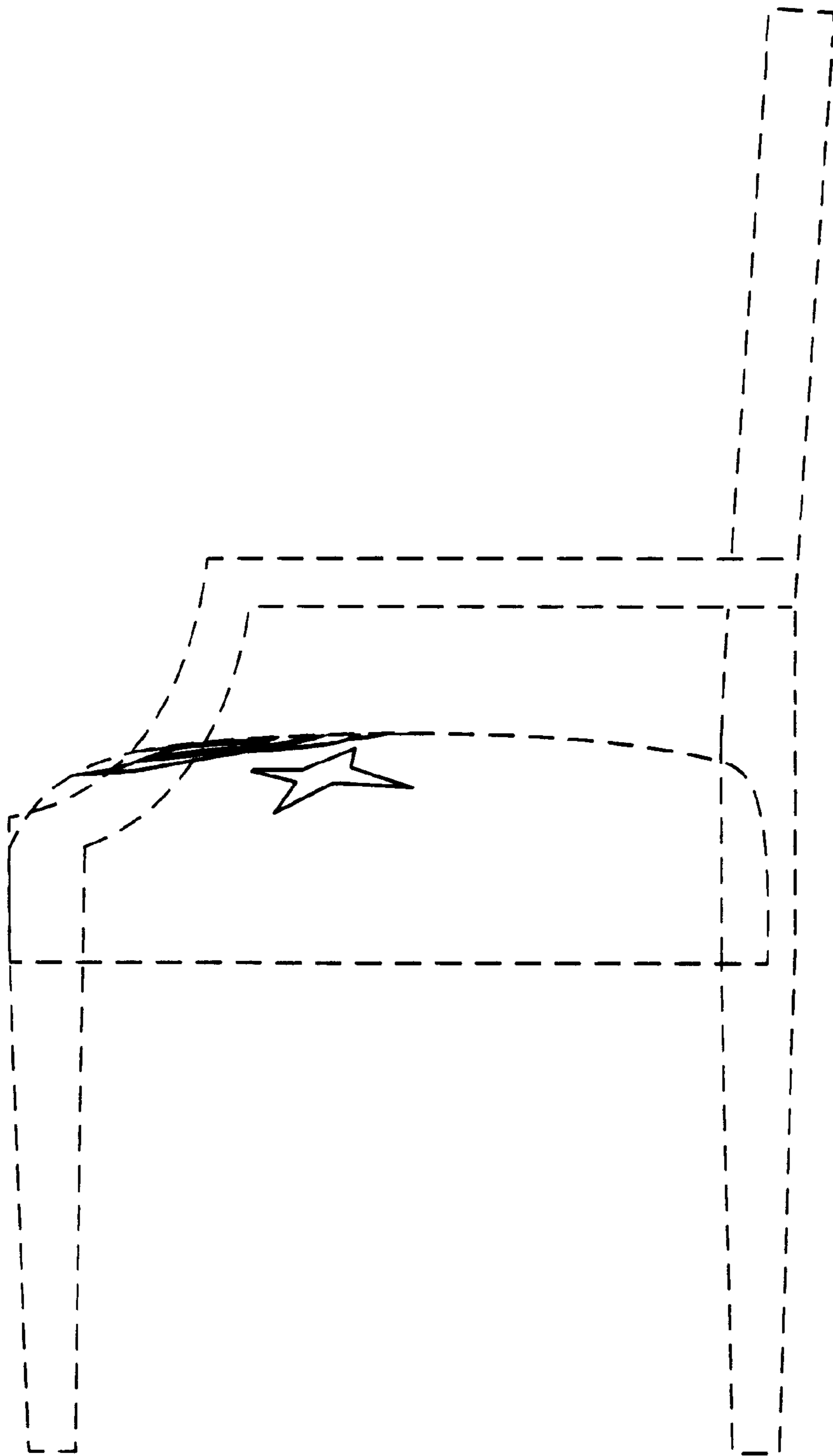


FIG. 5

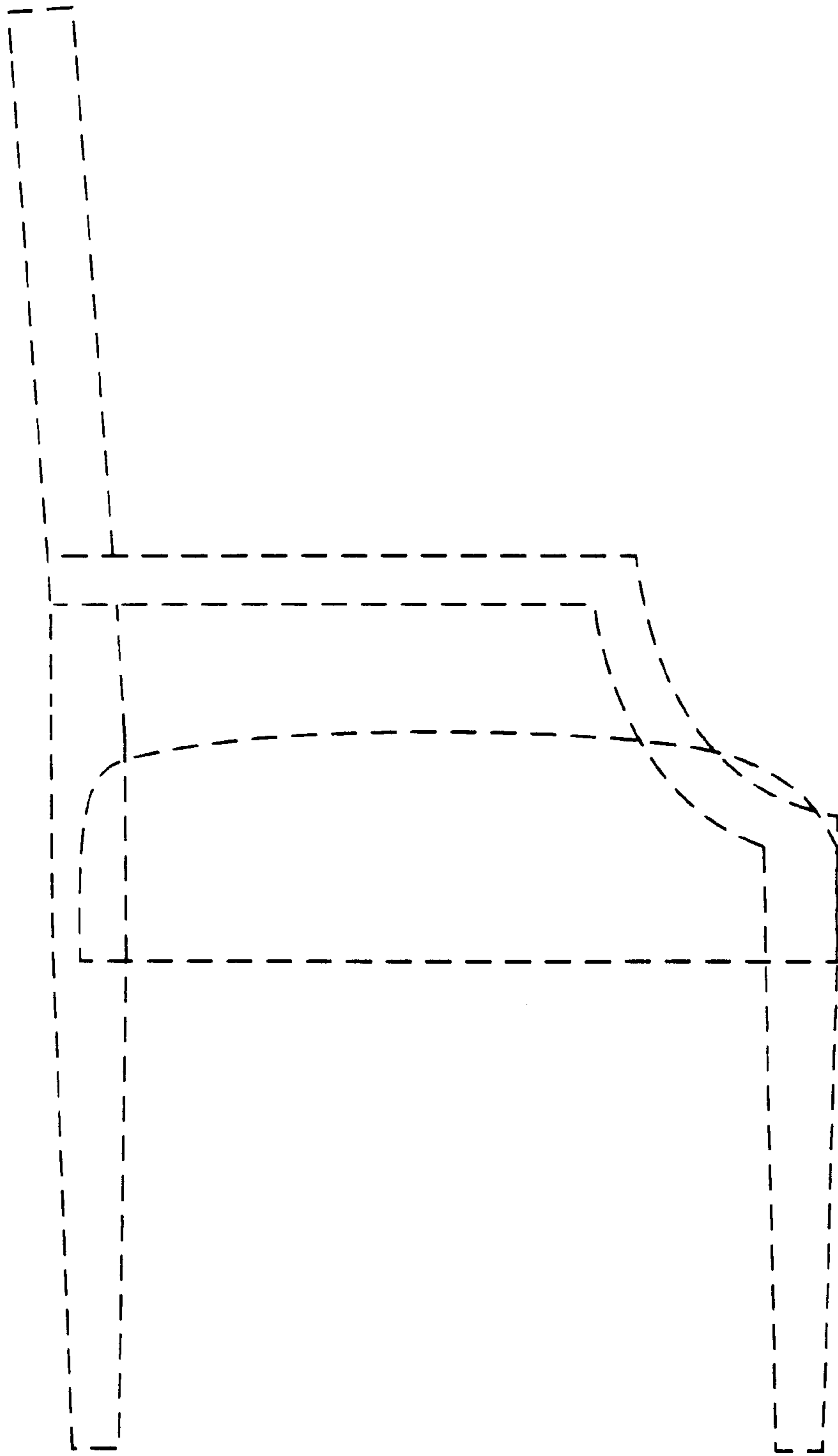


FIG. 6

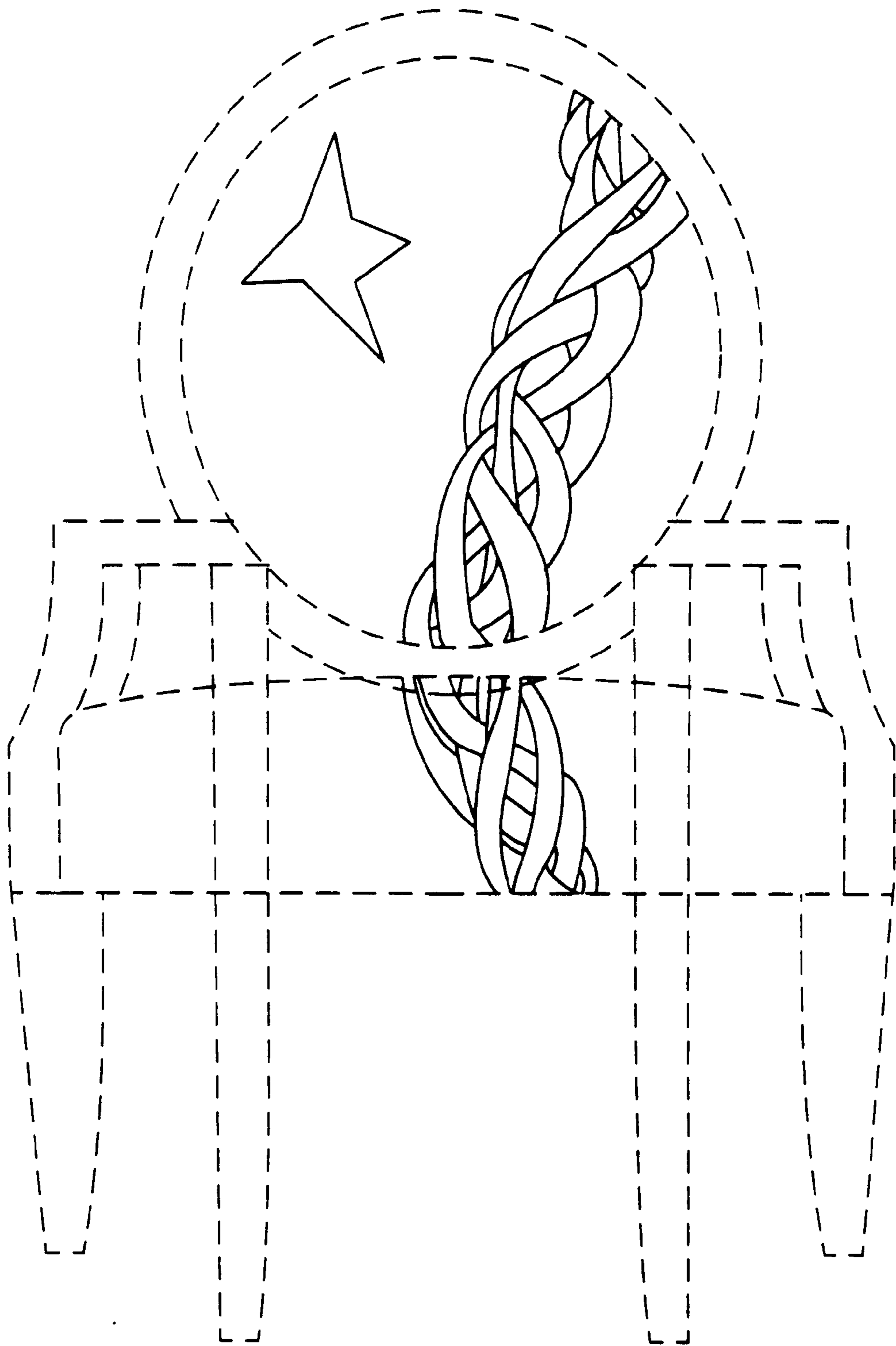


FIG. 7

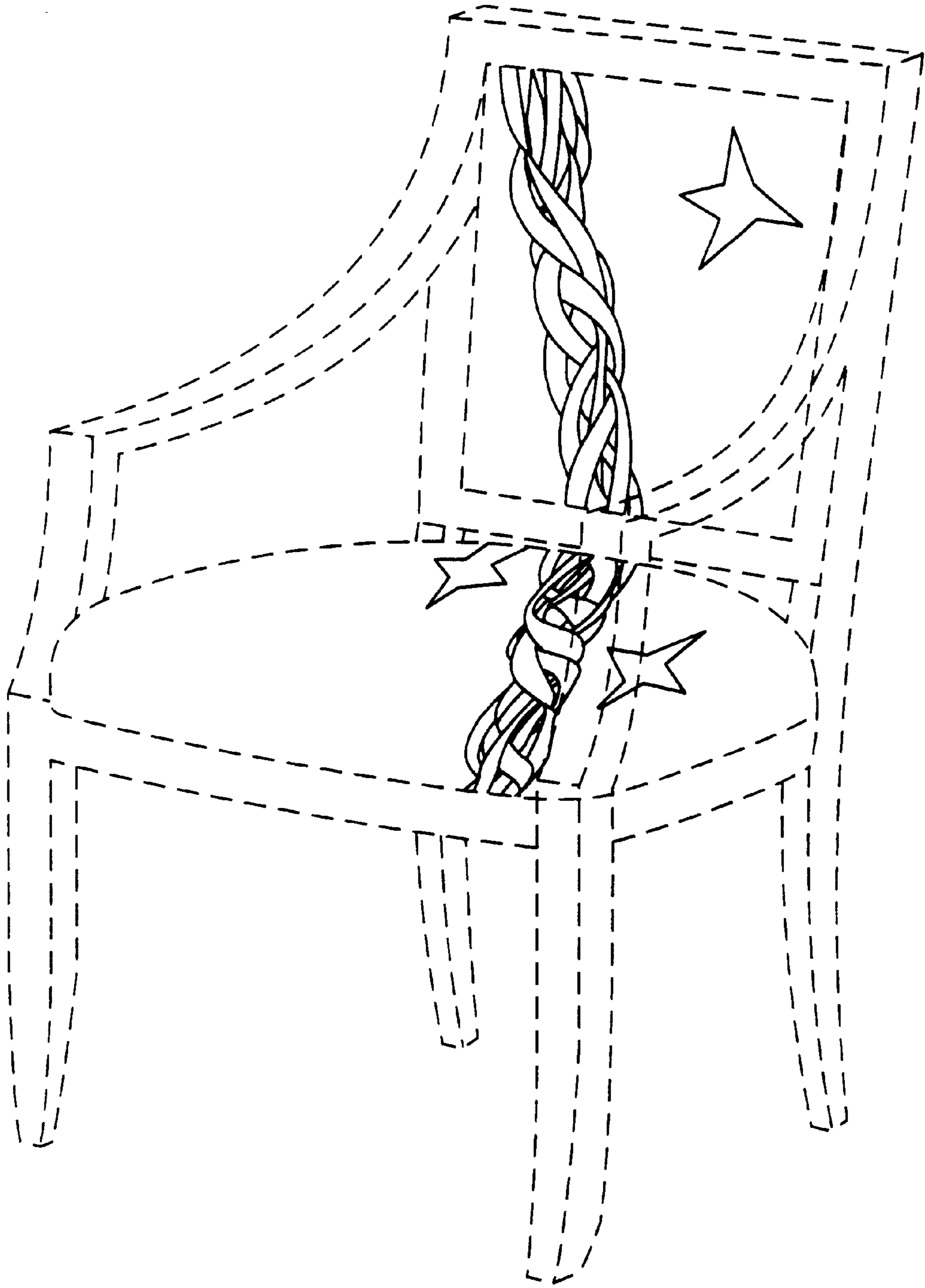


FIG. 8

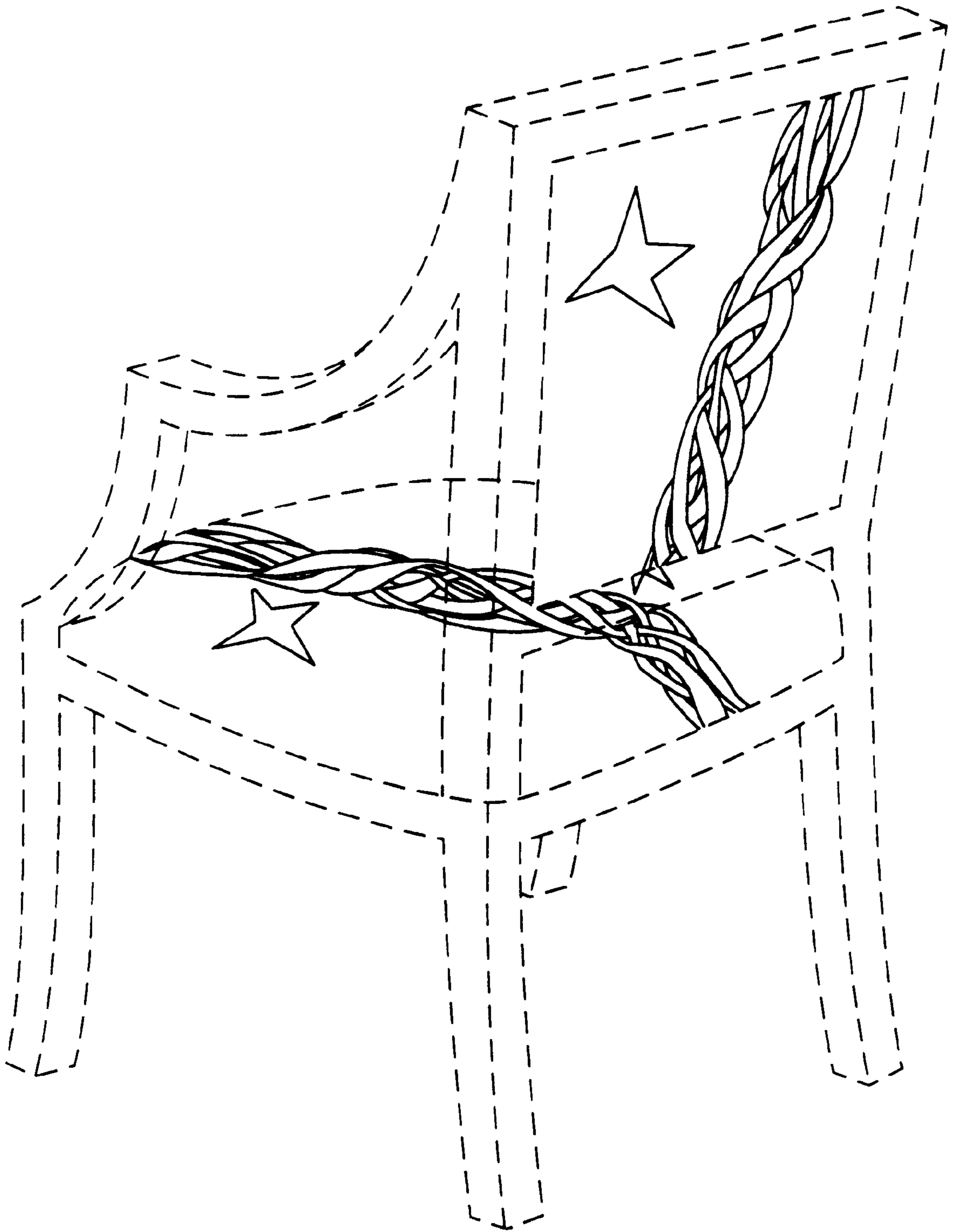


FIG. 9

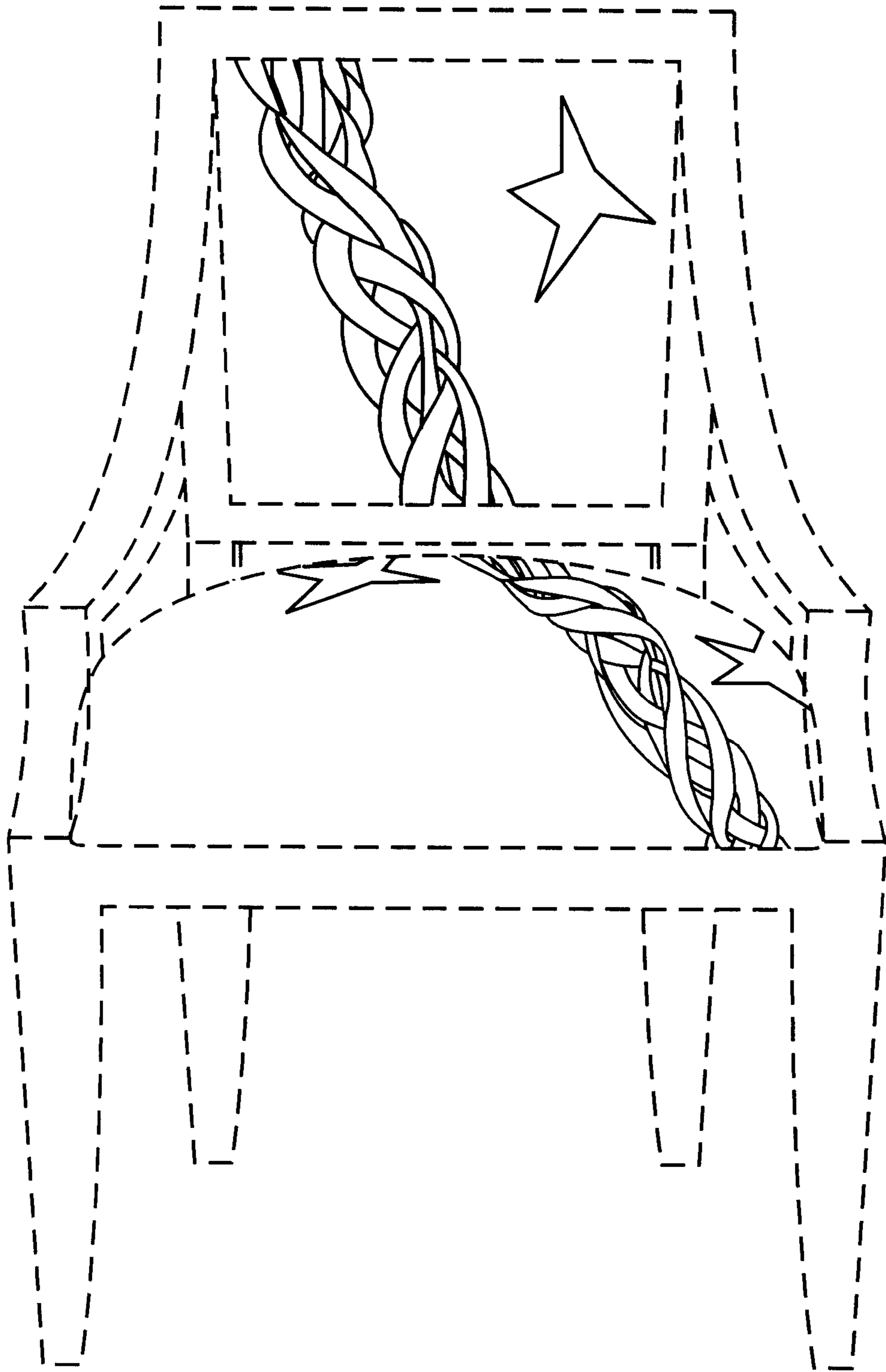


FIG. 10

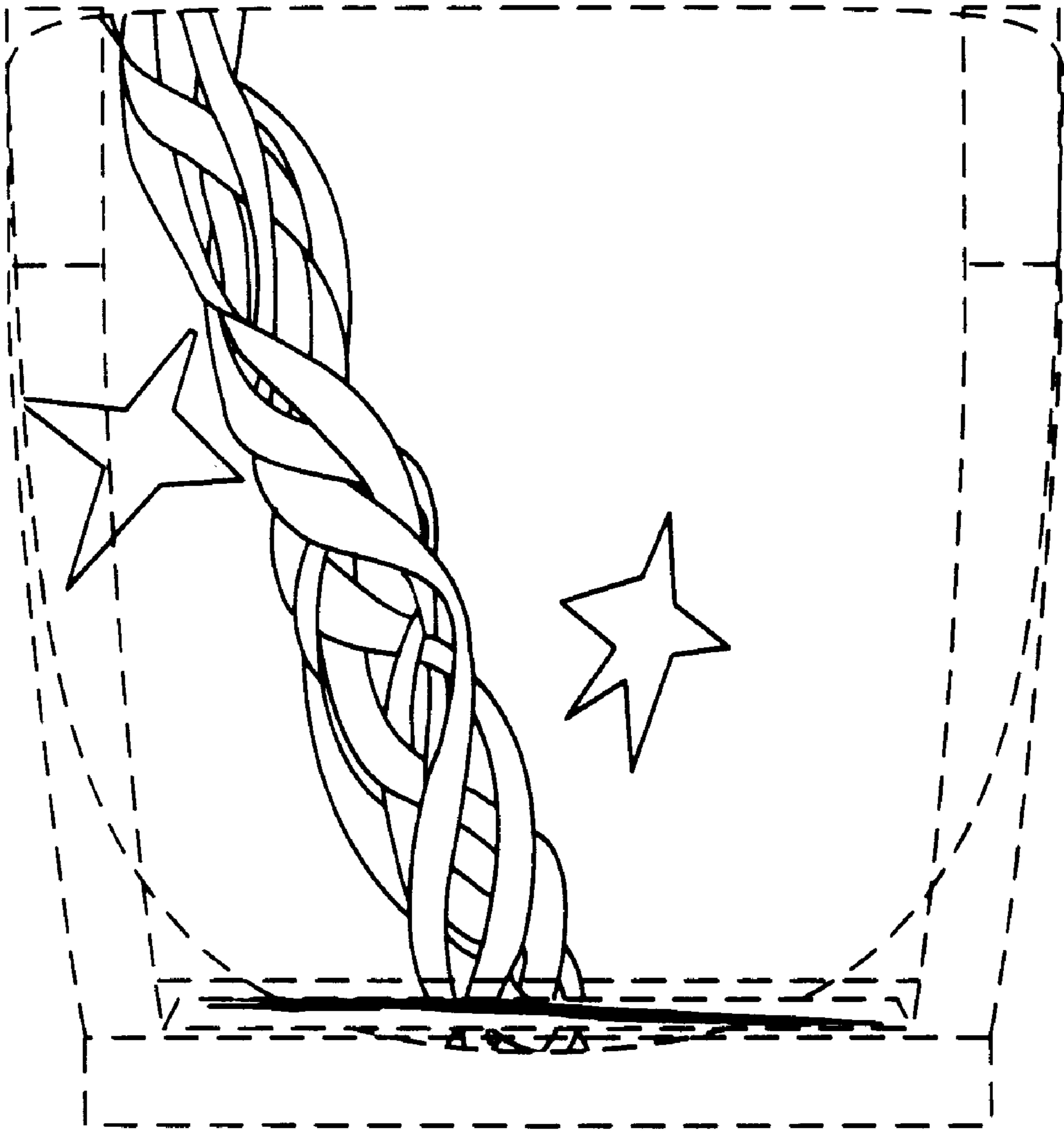


FIG. 11

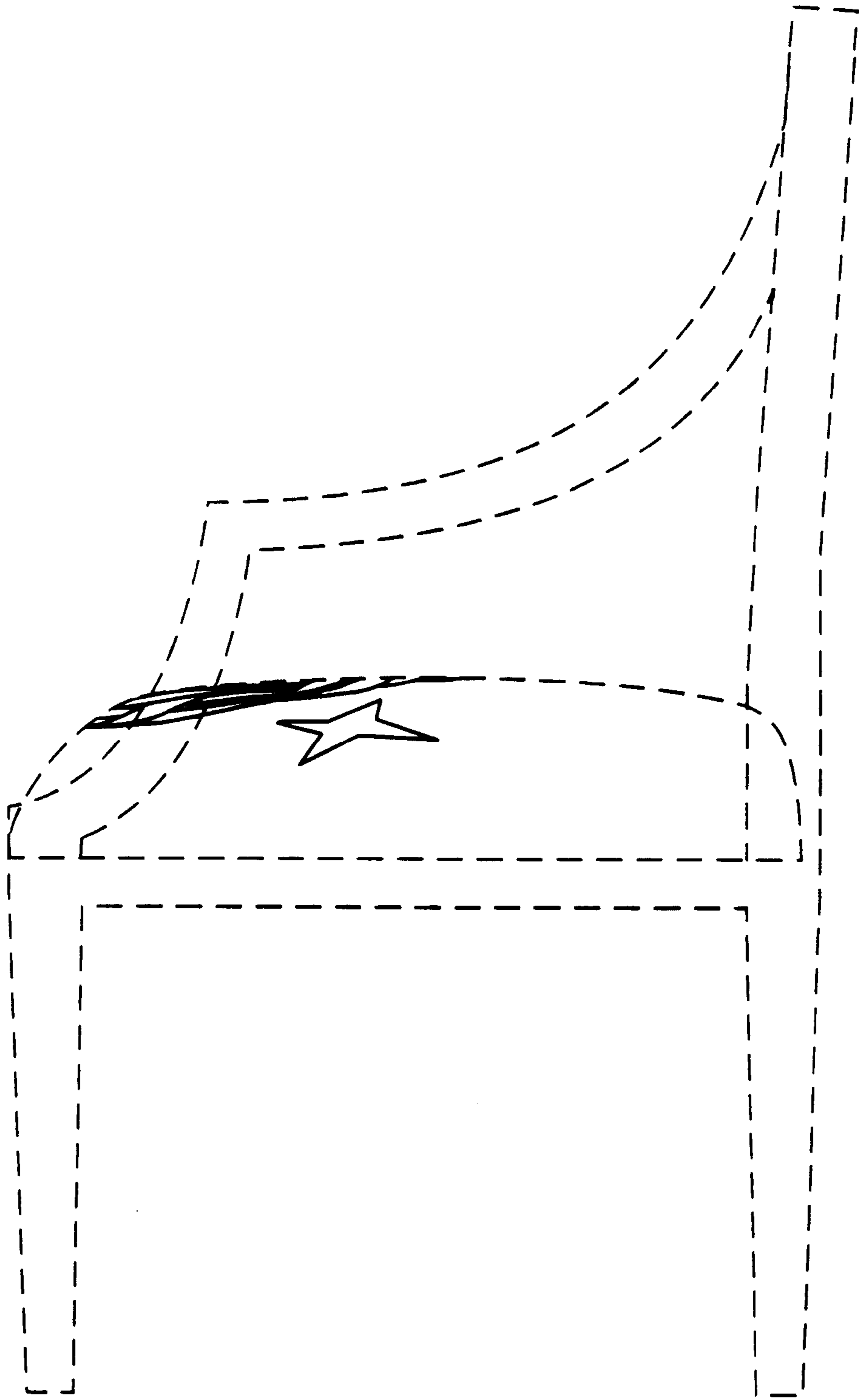


FIG. 12

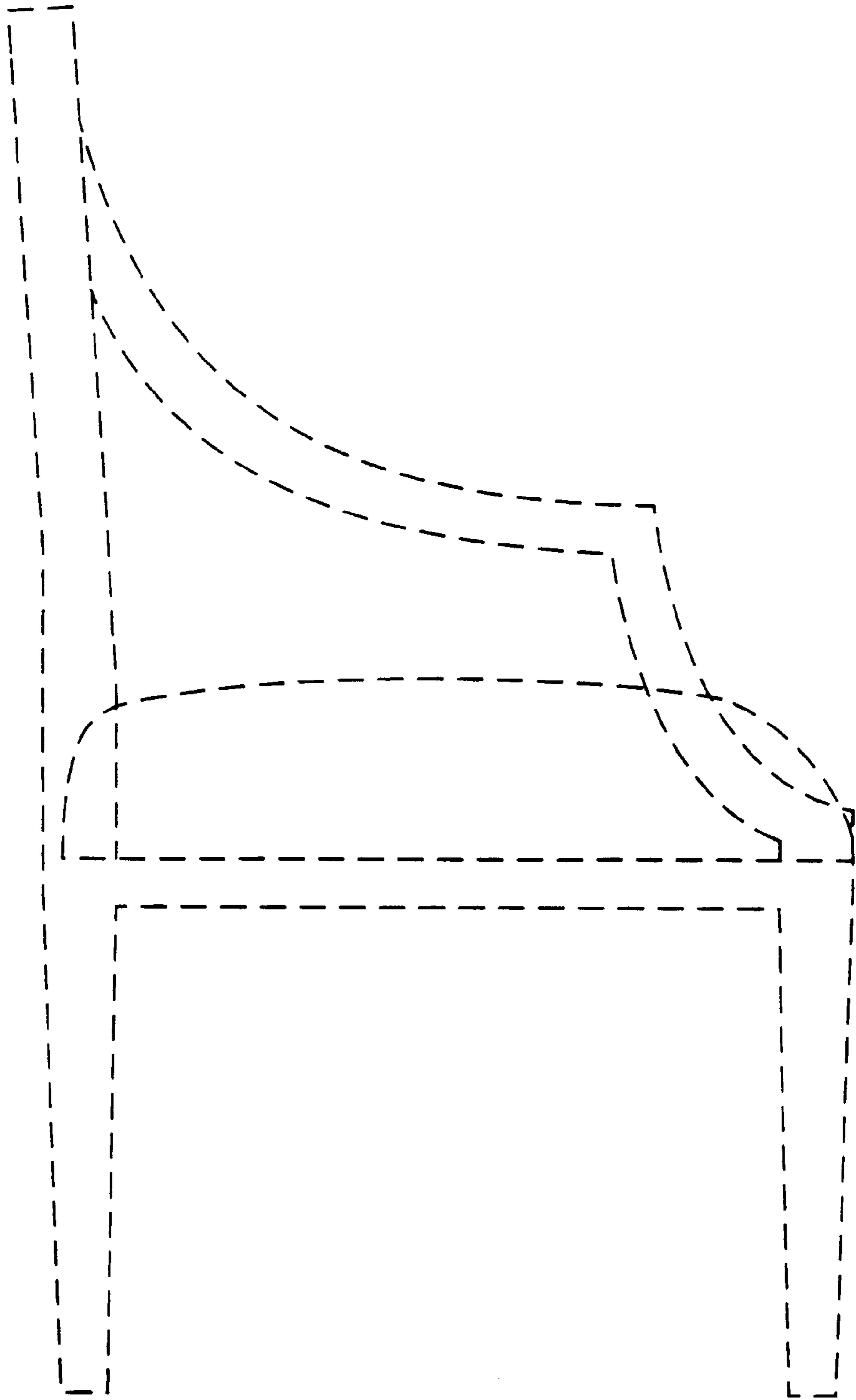


FIG. 13

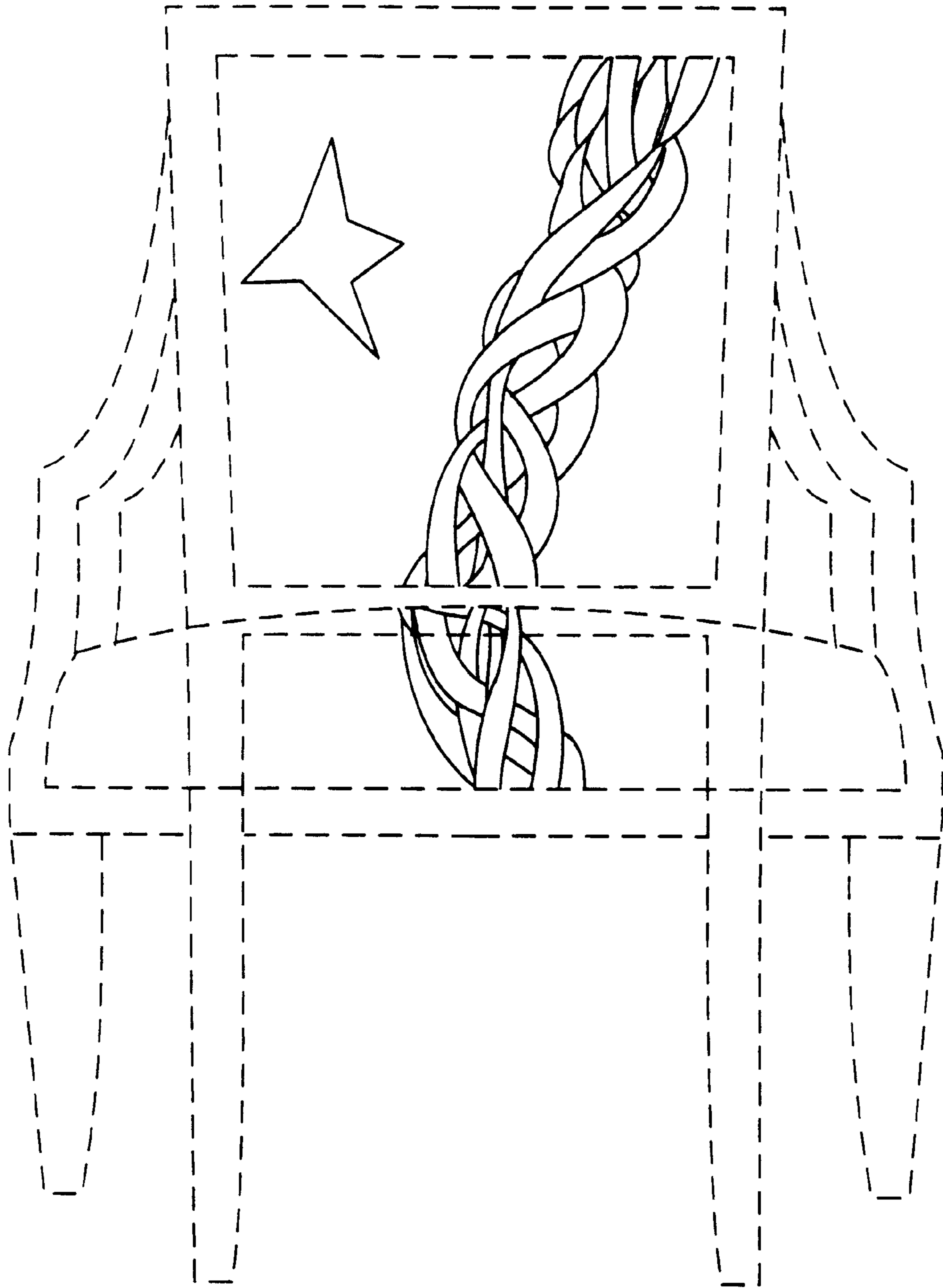


FIG. 14