



US00D448177B1

(12) **United States Design Patent**
Grabowski et al.

(10) **Patent No.:** **US D448,177 S**
(45) **Date of Patent:** **** Sep. 25, 2001**

(54) **HAND BRUSH HANDLE**

5,809,604 9/1998 Olstyn .

(75) Inventors: **Brian M. Grabowski**, Brunswick;
Thomas R. Anderson, Olmsted
Township, both of OH (US)

FOREIGN PATENT DOCUMENTS

9399 * of 1907 (GB) 15/143.1

(73) Assignee: **The Scott Fetzer Company**, Westlake,
OH (US)

OTHER PUBLICATIONS

(**) Term: **14 Years**

Portion of one page from a catalog entitled "Home Trends"
featuring corner brush model No. 34097, to the best of
Applicants' knowledge, the catalog was published in May or
Jun., 1999 and, therefore, is prior art to the present appli-
cation.

(21) Appl. No.: **29/132,658**

Copy of page from Web Site www.mamalibman.com/brushes1.htm, dated May 6, 1999.

(22) Filed: **Nov. 13, 2000**

(51) **LOC (7) Cl.** **04-01**

* cited by examiner

(52) **U.S. Cl.** **D4/129; D4/138**

Primary Examiner—Alan P. Douglas

(58) **Field of Search** D4/129, 130, 134,
D4/138, 199; D32/52; 15/143.1, 159.1,
160, 167.3, 186, 187; 16/110.1, 430

Assistant Examiner—Lavone Tabor

(74) *Attorney, Agent, or Firm*—Watts, Hoffmann, Fisher &
Heinke, Co., L.P.A.

(56) **References Cited**

(57) **CLAIM**

U.S. PATENT DOCUMENTS

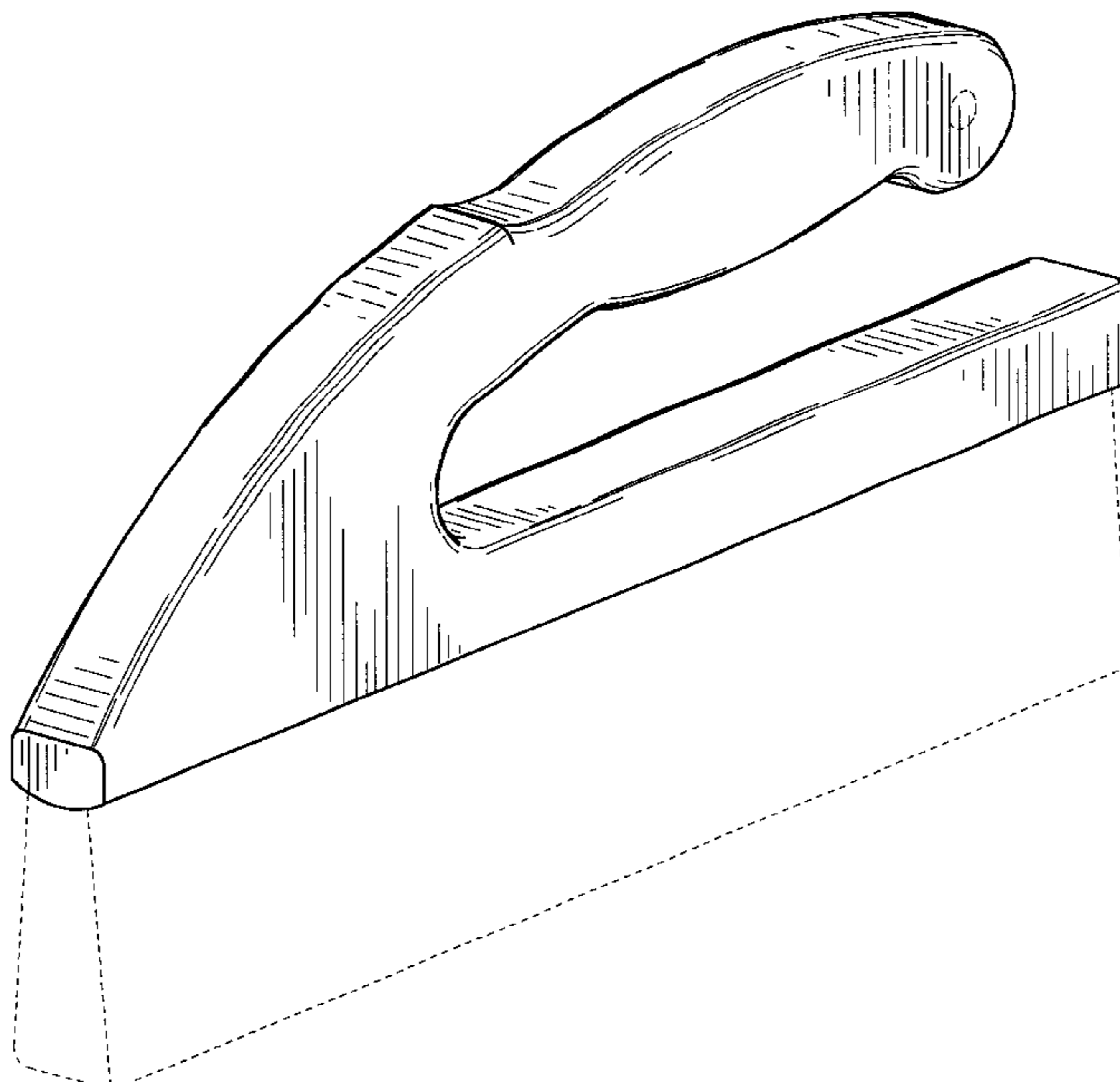
We claim the ornamental design for a hand brush handle, as
shown and described.

- D. 199,520 11/1964 Jones .
- D. 240,473 * 7/1976 Parker D4/129
- D. 282,604 2/1986 Whitaker .
- D. 329,752 9/1992 Murphy et al. .
- D. 337,203 7/1993 Ricciarelli et al. .
- D. 359,854 * 7/1995 Hoagland D4/138
- D. 361,894 9/1995 Hoagland .
- D. 362,551 9/1995 Purdy et al. .
- D. 363,609 10/1995 Bochnak et al. .
- D. 364,275 11/1995 Lewkowicz .
- D. 416,390 11/1999 Corriveau .
- 2,421,339 5/1947 Leger .
- 4,926,521 5/1990 Gagnepain .
- 5,339,481 8/1994 Hoagland .
- 5,440,784 8/1995 Hull et al. .
- 5,606,772 3/1997 Ilic .
- 5,781,956 7/1998 Kelsay et al. .

DESCRIPTION

FIG. 1 is a perspective view of the hand brush handle
showing our new design;
FIG. 2 is a front elevational view of the hand brush handle,
the rear elevational view being a mirror image;
FIG. 3 is a top plan view of the hand brush handle;
FIG. 4 is a bottom plan view of the hand brush handle;
FIG. 5 is a left elevational view of the hand brush handle;
and,
FIG. 6 is a right elevational view of the hand brush handle.
The broken lines shown are for illustrative purposes only
and form no part of the claimed design.

1 Claim, 2 Drawing Sheets



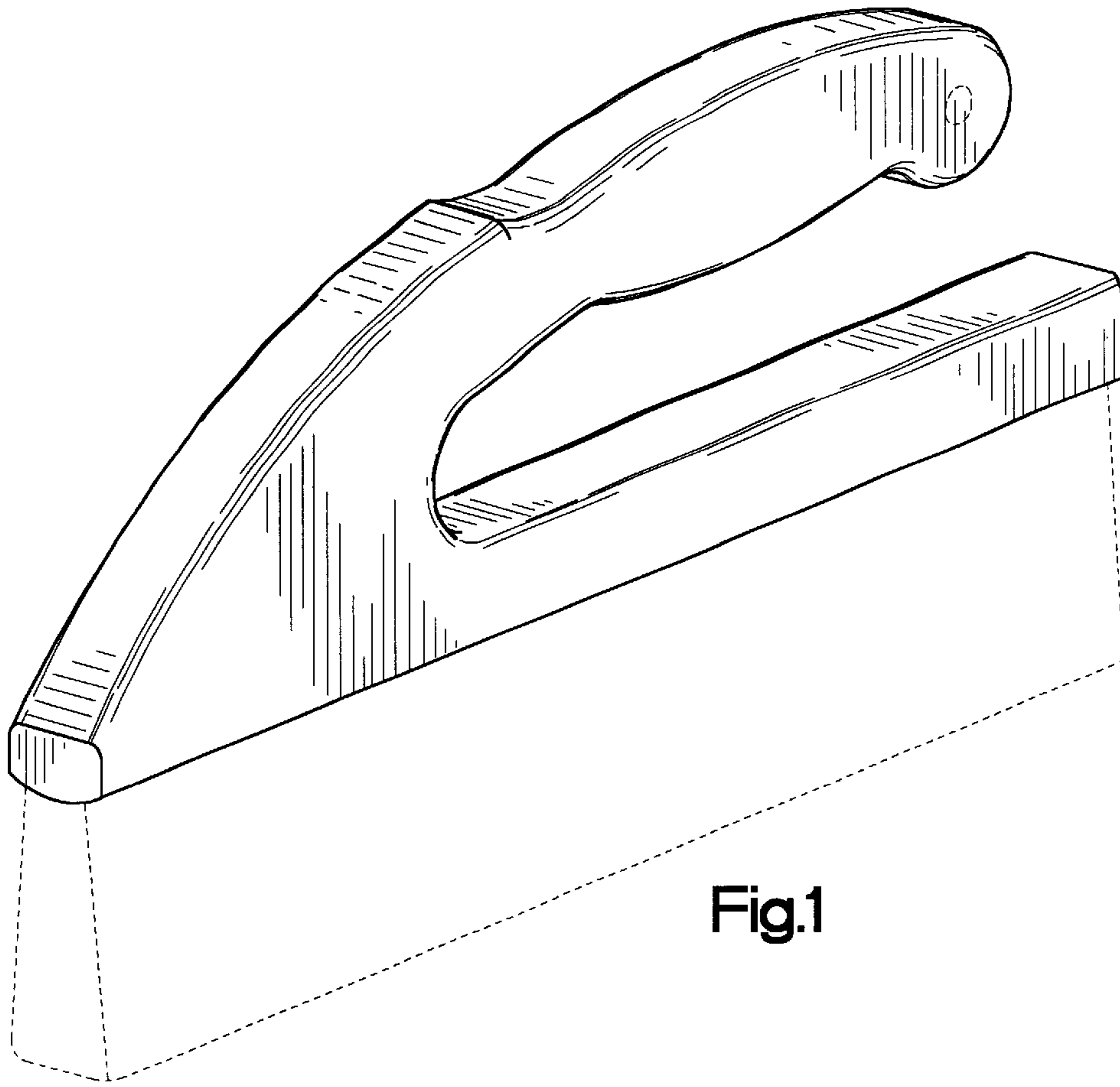


Fig.1

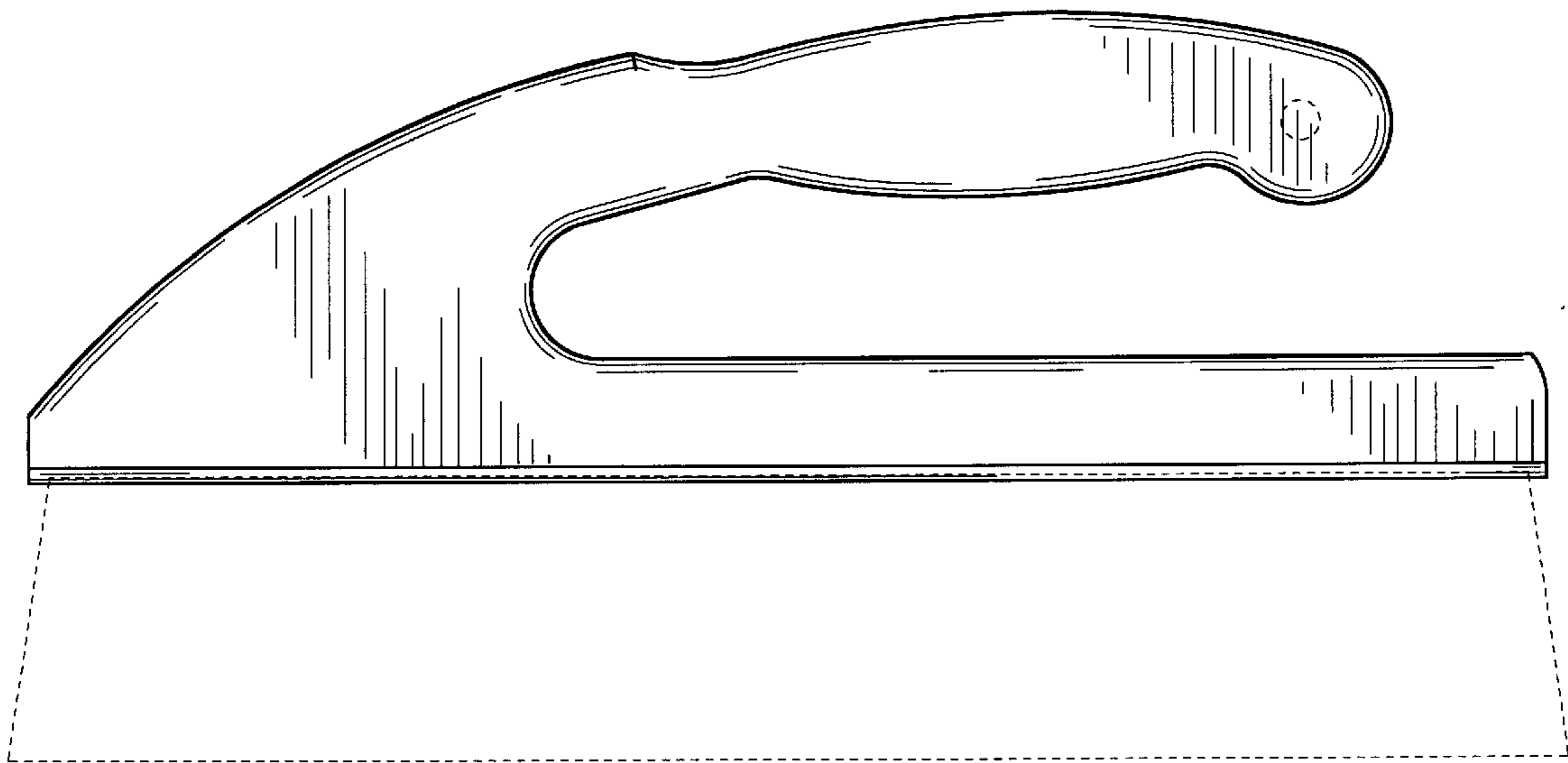


Fig.2

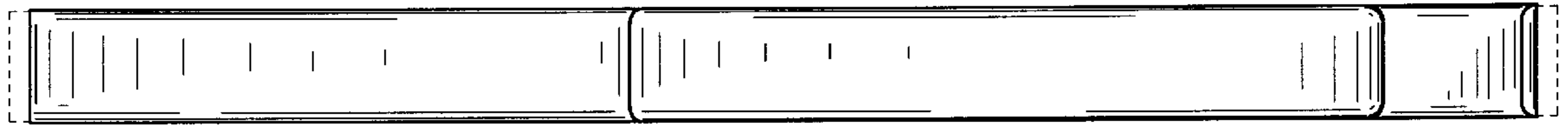


Fig.3

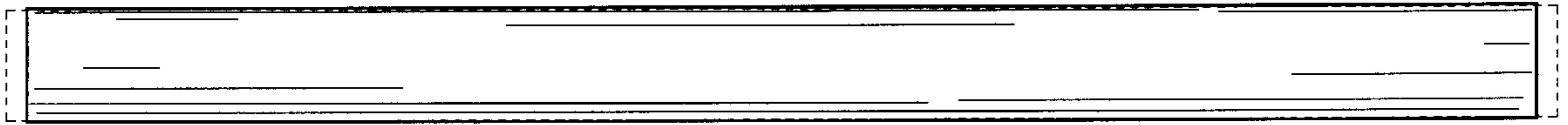


Fig.4

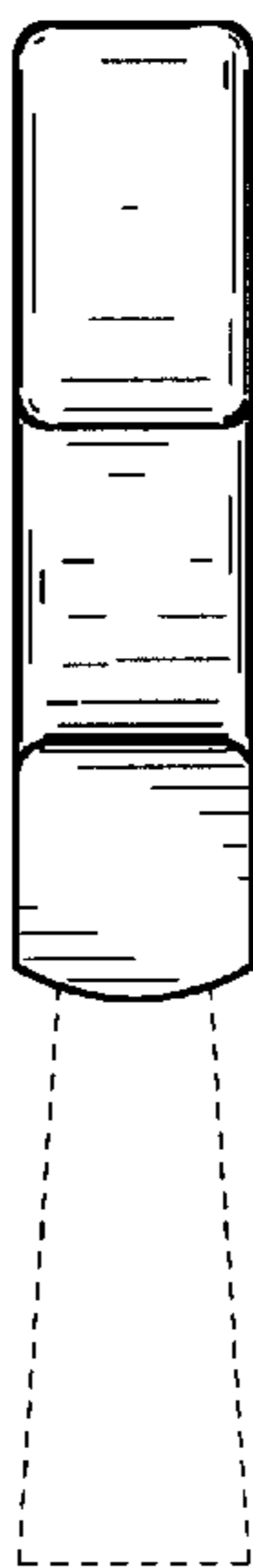


Fig.5

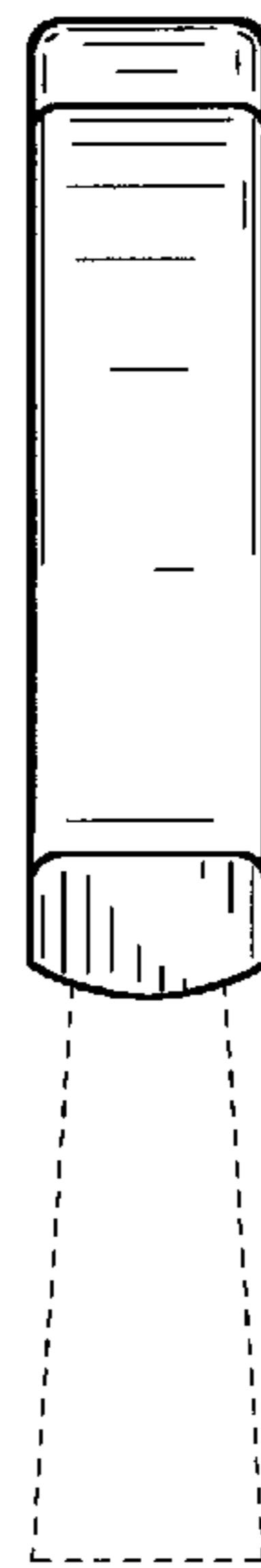


Fig.6