



US00D448175B1

(12) **United States Design Patent**
Shurney

(10) **Patent No.:** **US D448,175 S**

(45) **Date of Patent:** **** Sep. 25, 2001**

(54) **IDENTIFICATION ATTACHMENT FOR A TOOTHBRUSH**

(76) **Inventor:** **Glyndon P. Shurney**, 4203 McClain La., Huntsville, AL (US) 35810

(**) **Term:** **14 Years**

(21) **Appl. No.:** **29/125,884**

(22) **Filed:** **Jul. 5, 2000**

(51) **LOC (7) Cl.** **04-02**

(52) **U.S. Cl.** **D4/113**

(58) **Field of Search** D4/104-113, 132-134, D4/138; 15/105, 248, 143.1, 159.1, 160, 167.1, 167.2; 16/110.1; 132/308; 601/139, 141; 40/661.12, 314

(56) **References Cited**

U.S. PATENT DOCUMENTS

1,155,878	*	10/1915	Booth	40/314
1,211,468	*	1/1917	McLean	40/314
1,380,633	*	6/1921	Brown	40/314
2,016,644	*	10/1935	Luball	40/314

4,253,212 * 3/1981 Fujita 15/167.1

* cited by examiner

Primary Examiner—Alan P. Douglas

Assistant Examiner—Lavone Tabor

(74) *Attorney, Agent, or Firm*—William P. Smith

(57) **CLAIM**

The ornamental design for an identification attachment for a toothbrush, as shown and described.

DESCRIPTION

FIG. 1 is a front perspective view of an identification attachment for a toothbrush showing my new design, with the broken lines showing a toothbrush being for illustrative purposes only and forming no part of the claimed design; FIG. 2 is an enlarged front perspective view of the identification attachment;

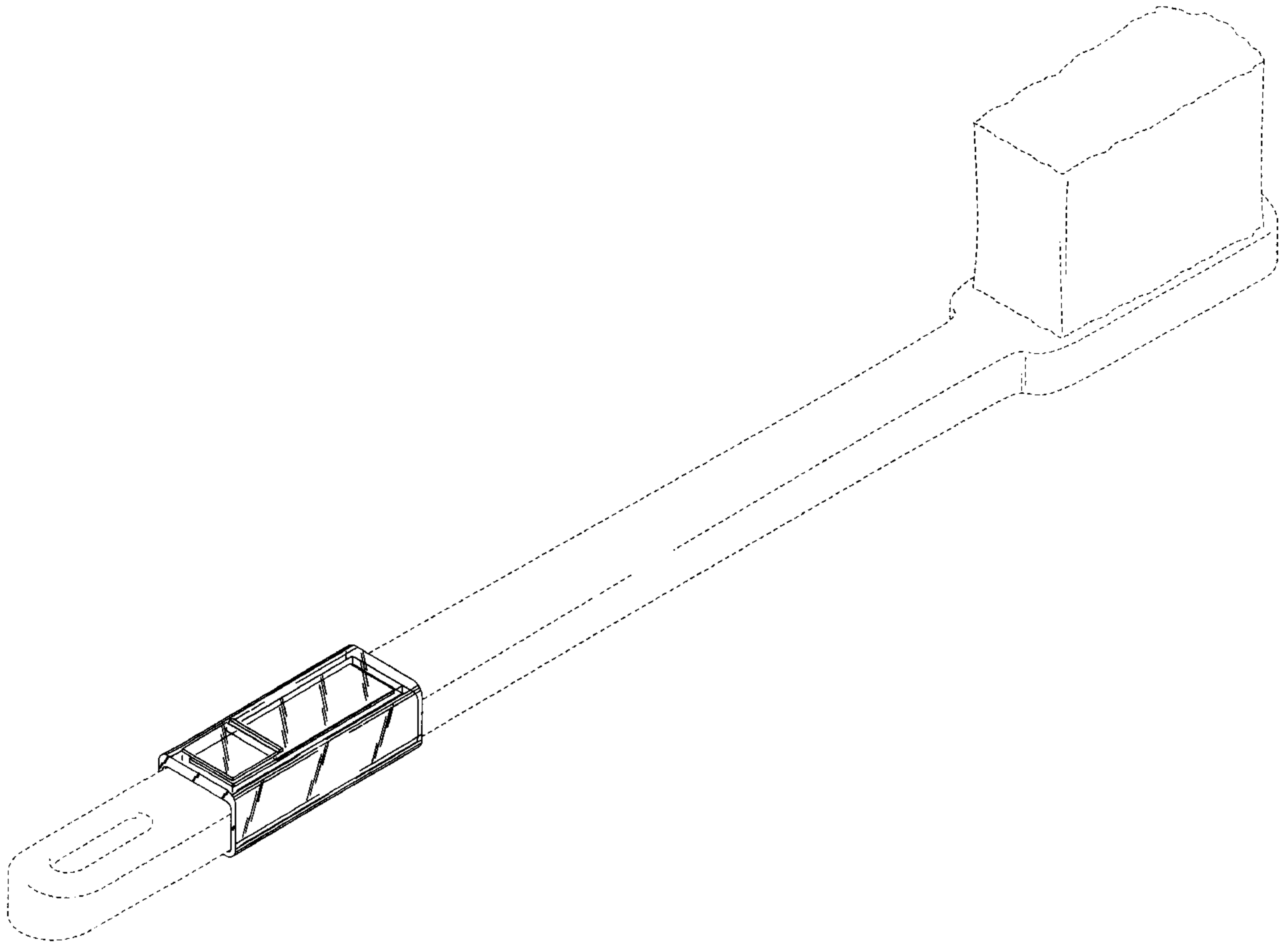
FIG. 3 is a side elevational view of FIG. 2;

FIG. 4 is an end elevational view of FIG. 2;

FIG. 5 is a top plan view of FIG. 2; and,

FIG. 6 is a bottom plan view of FIG. 2.

1 Claim, 5 Drawing Sheets



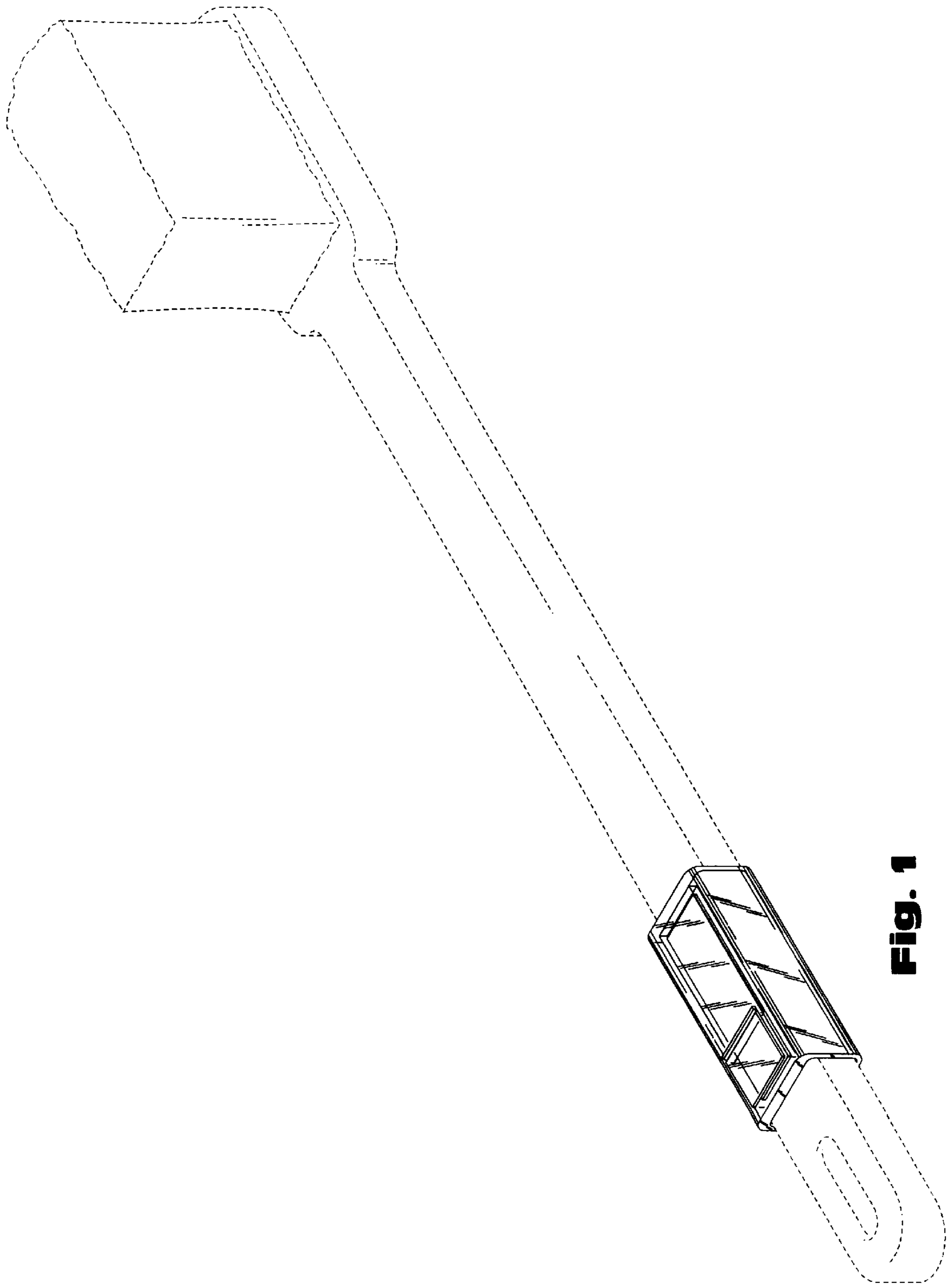


Fig. 1

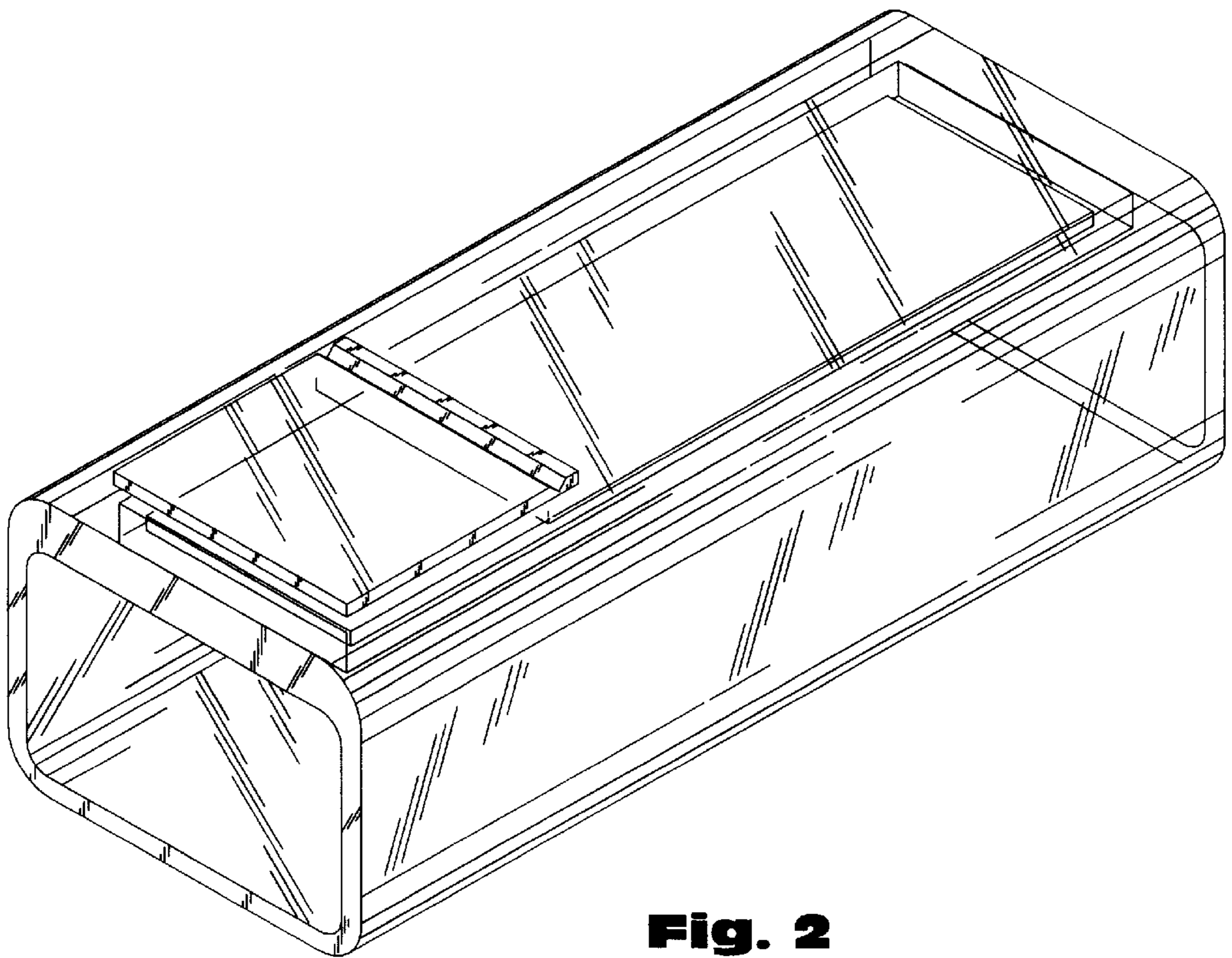


Fig. 2

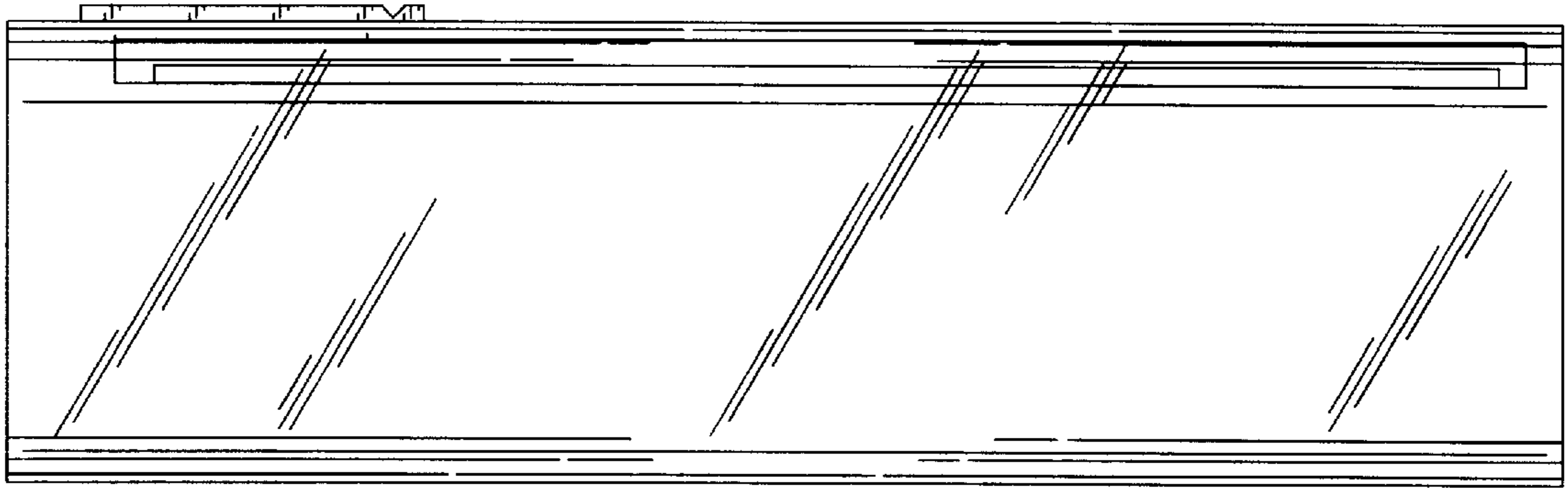


Fig. 3

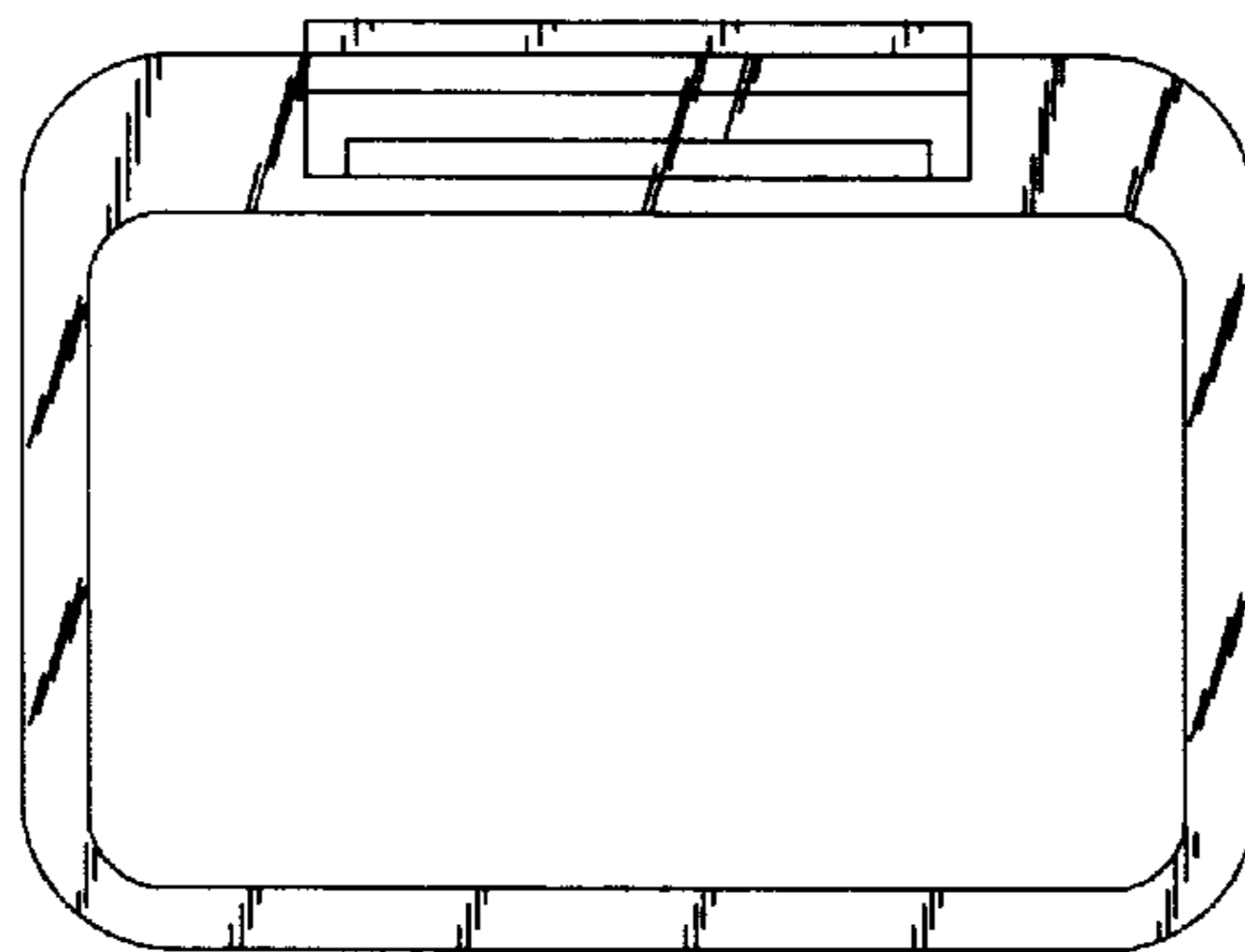


Fig. 4

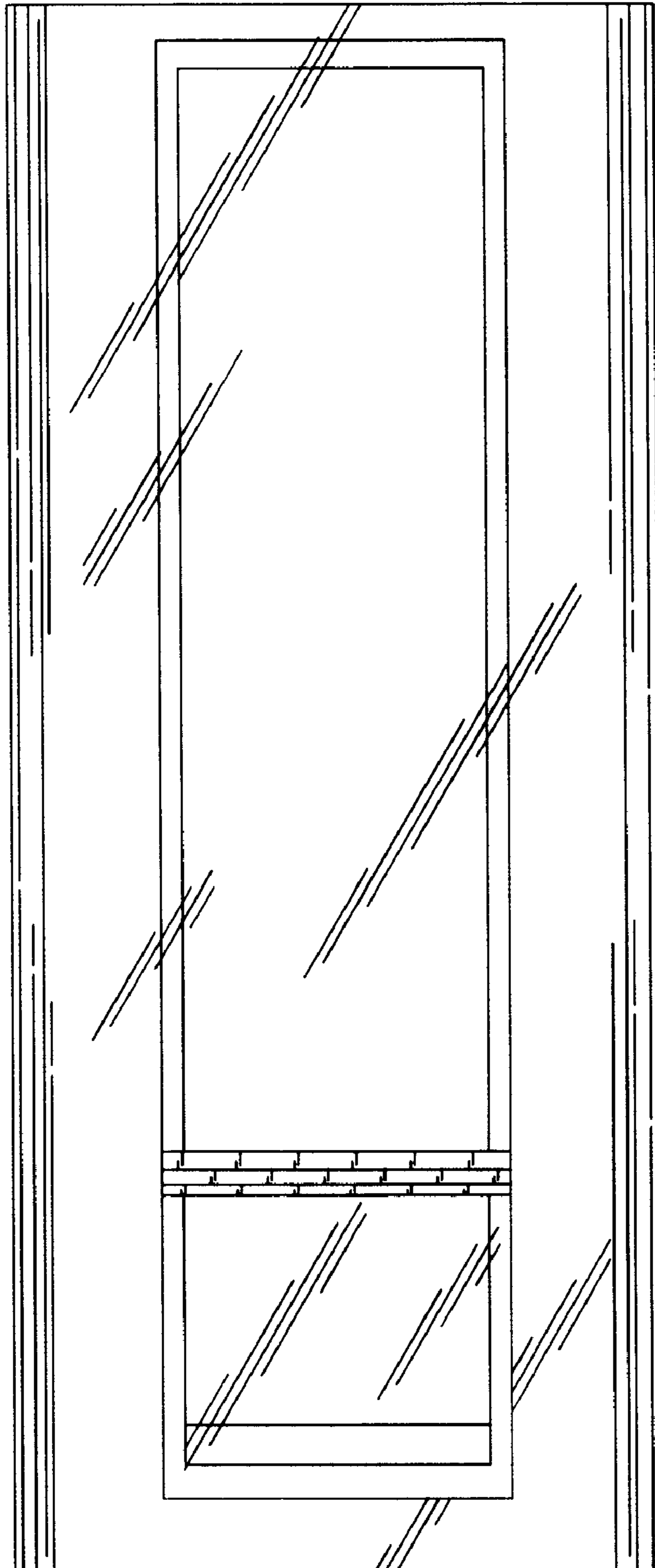


Fig. 5

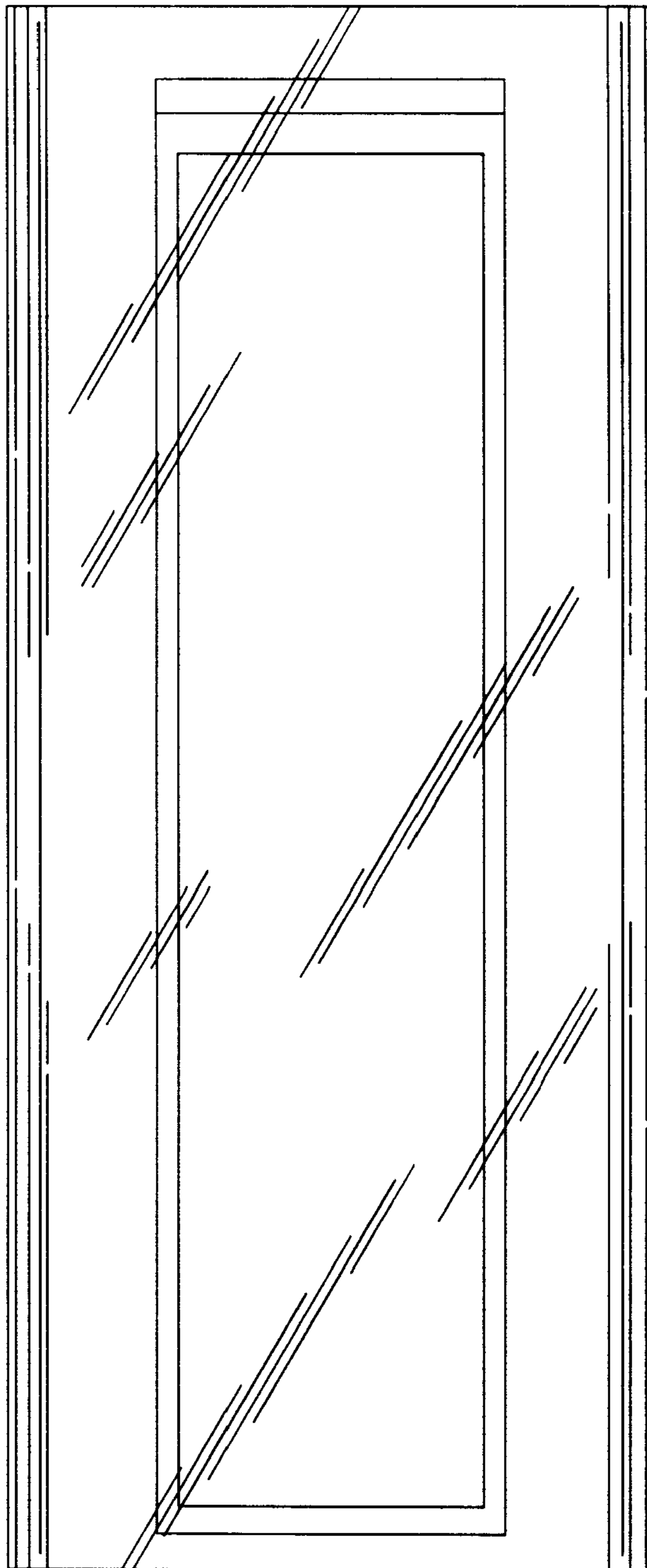


Fig. 6