



US00D448168B1

(12) **United States Design Patent**
Johnston

(10) **Patent No.:** **US D448,168 S**

(45) **Date of Patent:** **** Sep. 25, 2001**

(54) **TOOL BOX**

(76) Inventor: **Dan Johnston**, 3 Putnam Lake Rd.,
Brewster, NY (US) 10509

(**) Term: **14 Years**

(21) Appl. No.: **29/123,380**

(22) Filed: **May 17, 2000**

(51) **LOC (7) Cl.** **03-01**

(52) **U.S. Cl.** **D3/297; D3/905; D6/445**

(58) **Field of Search** **D3/273, 294, 295,**
D3/905; D6/445, 446, 447, 448; D34/19;
312/351.3, 902, 350, 330.1, 308, 281; 206/372,
373

(56) **References Cited**

U.S. PATENT DOCUMENTS

D. 258,175	*	2/1981	Hazeltine	D6/445
D. 283,263		4/1986	Richey	D34/19
D. 292,937	*	11/1987	Richey	D34/19
D. 341,253		11/1993	Ballman et al.	.	
D. 356,703		3/1995	Dickinson	D34/19
D. 387,926	*	12/1997	Blaesing	D6/445
D. 423,817	*	5/2000	Holcomb et al.	D6/445
D. 423,818	*	5/2000	Holcomb et al.	D6/445
D. 430,426	*	9/2000	Bieker et al.	D6/445
4,120,549	*	10/1978	Bureau	312/253

5,443,311	*	8/1995	Kadlecek et al.	312/308
5,497,878	*	3/1996	Sandonato	206/372
5,857,757	*	1/1999	Bieker et al.	312/351.3

OTHER PUBLICATIONS

Mac Tools Catalog, pp. 2-18, 1999.
Matco Tools Catalog, pp. 2-27, 1998-99.
Cornwell Tools Catalog, pp. 8-14, 1999.
Snap-On "Catalog 500" pp. 20-55, 2000.

* cited by examiner

Primary Examiner—Philip S. Hyder

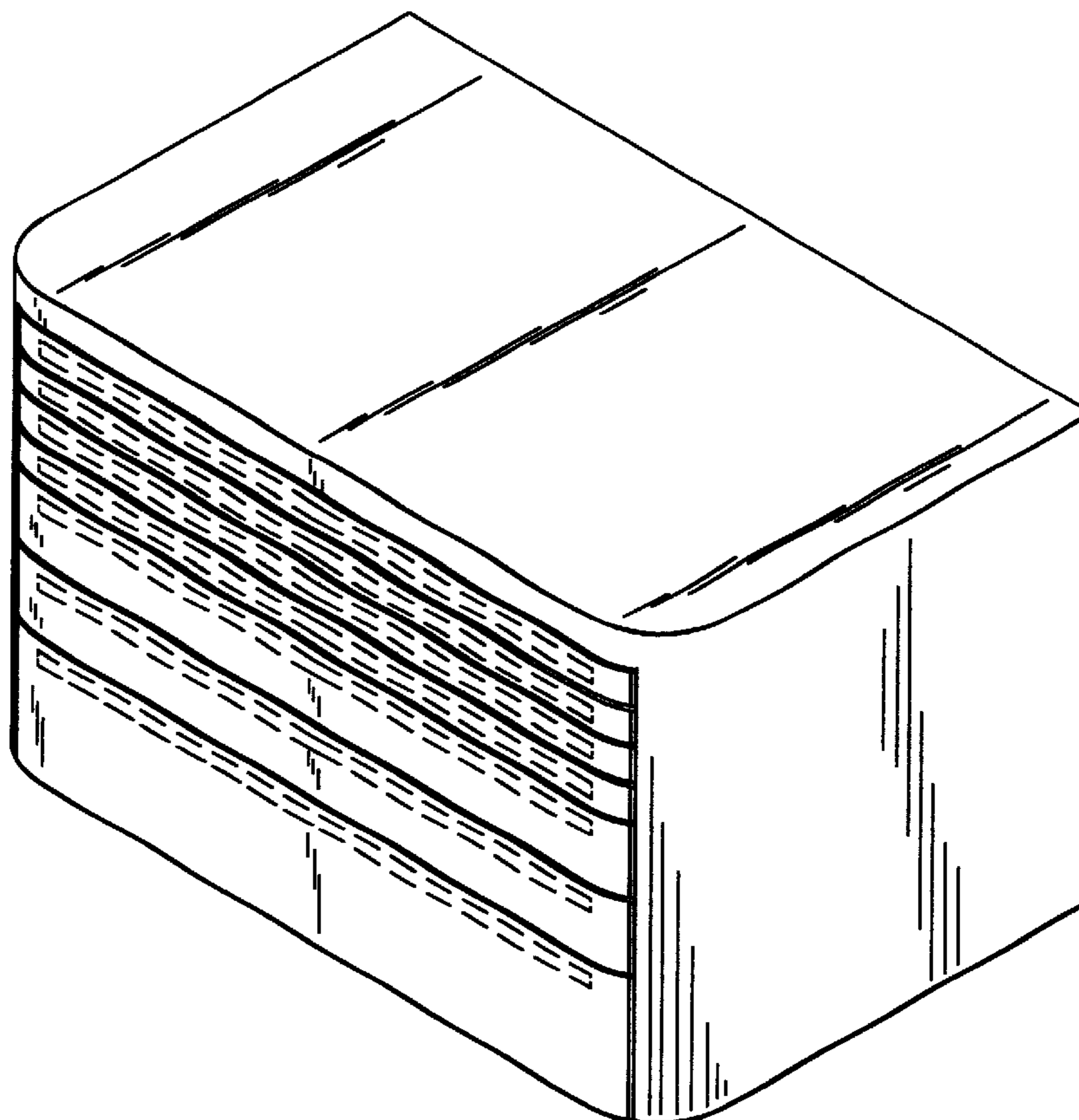
(57) **CLAIM**

The ornamental design for a tool box, as shown and described.

DESCRIPTION

FIG. 1 is a perspective view of a tool box showing my new design.
FIG. 2 is a right side elevation view thereof, the left side elevational view being a mirror image thereof.
FIG. 3 is a front elevational view thereof; and,
FIG. 4 is a top plan view thereof.
The broken line portions of the disclosure are for illustrative purposes only and form no part of the claimed design. The rear and bottom of the tool box are plain and unornamented.

1 Claim, 1 Drawing Sheet



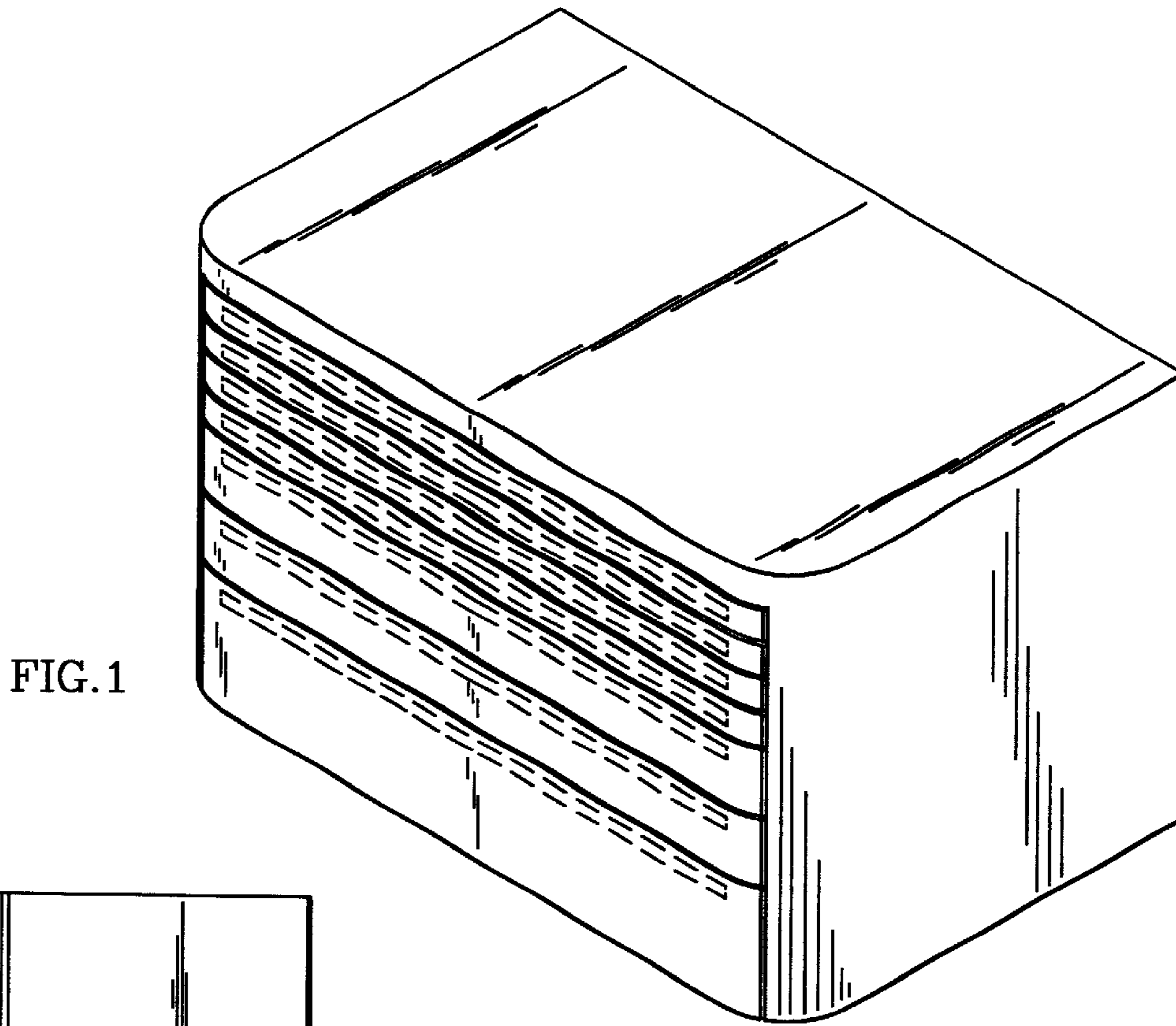


FIG. 1

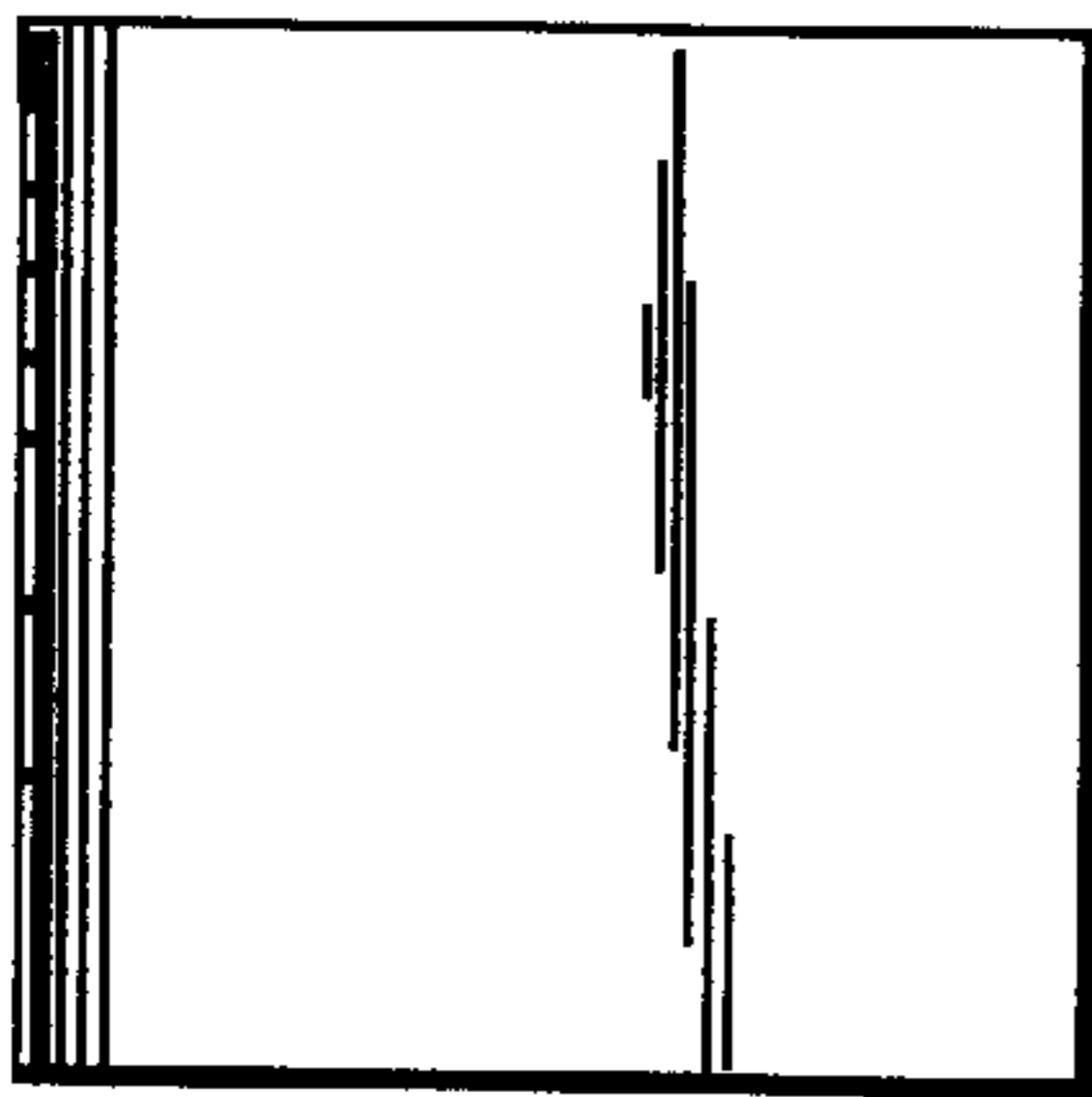


FIG. 2

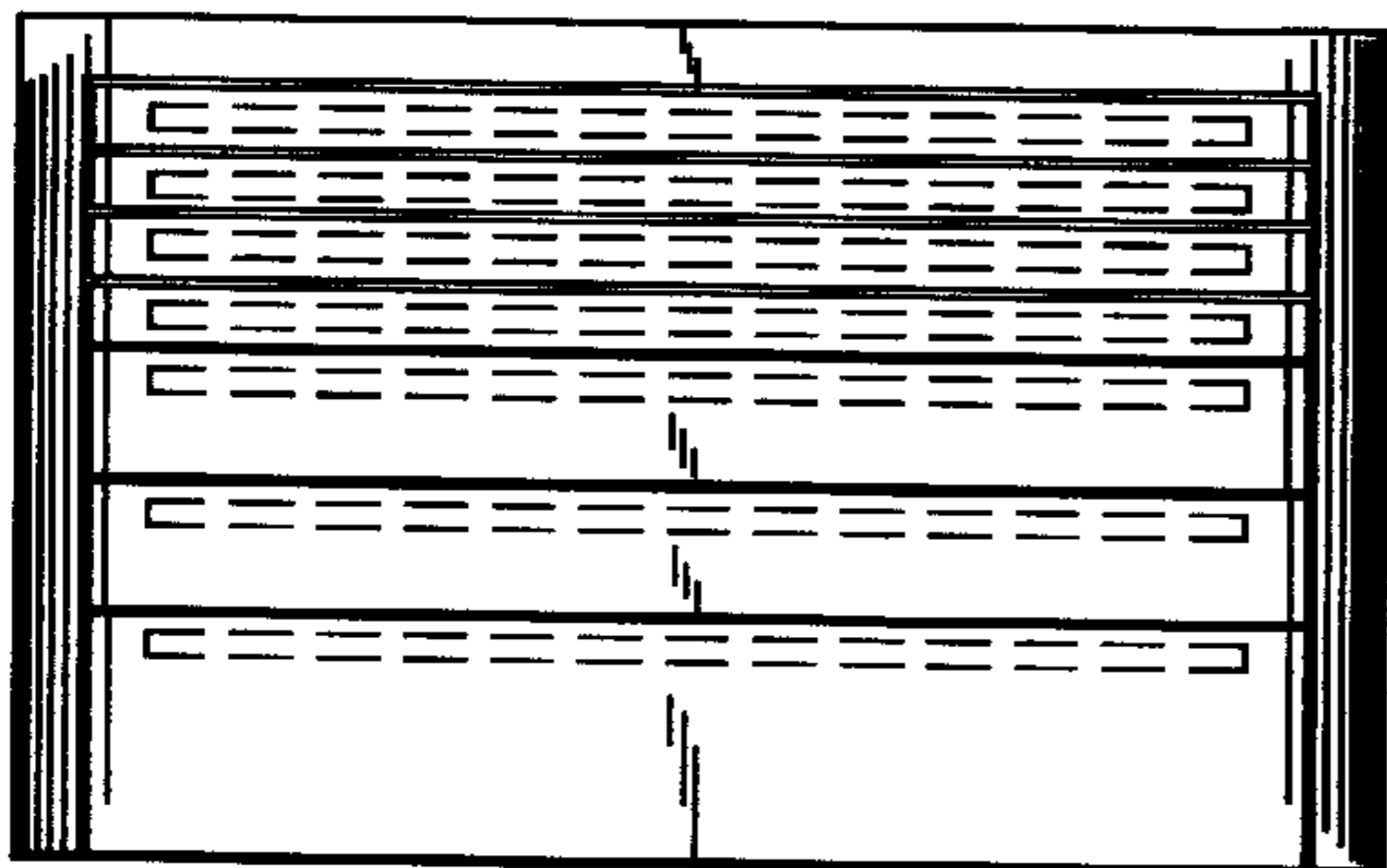


FIG. 3

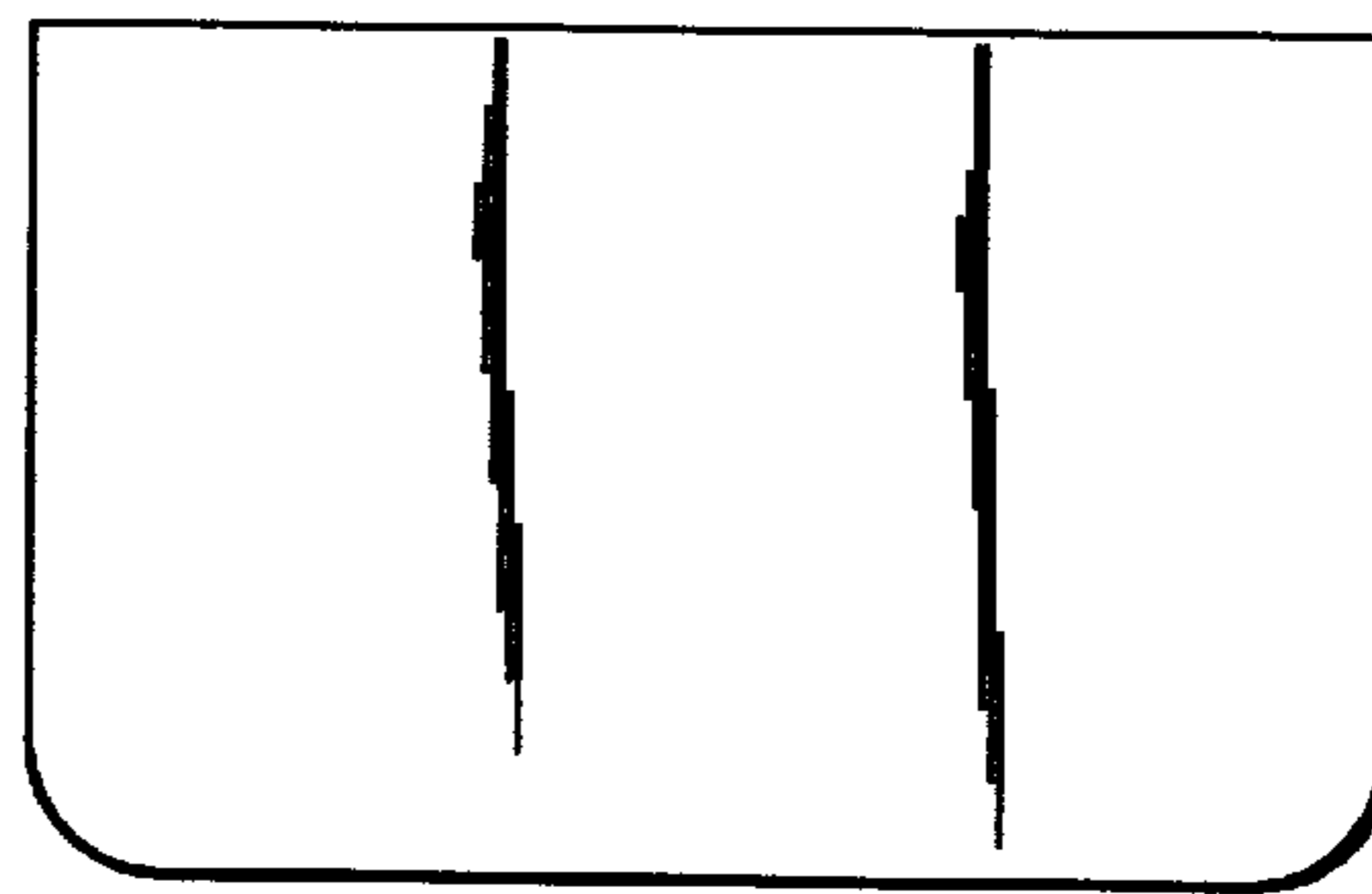


FIG. 4