



US00D448167B1

(12) **United States Design Patent**
Pangerc et al.

(10) **Patent No.:** **US D448,167 S**

(45) **Date of Patent:** **** Sep. 25, 2001**

(54) **STORAGE CONTAINER**

FOREIGN PATENT DOCUMENTS

(75) Inventors: **James E. Pangerc**, Parkville; **Gregory Scott Snider**, Bel Air, both of MD (US)

(73) Assignee: **Black & Decker Inc.**, Newark, DE (US)

(**) Term: **14 Years**

(21) Appl. No.: **29/126,423**

(22) Filed: **Jul. 14, 2000**

(51) **LOC (7) Cl.** **03-01**

(52) **U.S. Cl.** **D3/294; D3/273**

(58) **Field of Search** D3/273, 276, 281,
D3/282, 294, 905; 220/326; 206/349, 372,
373, 379; 190/110, 111, 112

1814157	12/1968	(DE) .
2149305	10/1971	(DE) .
3150873A1	12/1981	(DE) .
85006459	1/1985	(DE) .
8515834.8	5/1985	(DE) .
8602551.1	1/1986	(DE) .
3714789C2	5/1987	(DE) .
8814319.8	11/1988	(DE) .
8906411.9	5/1989	(DE) .
8907073.9	6/1989	(DE) .
9312160.1	8/1993	(DE) .
29517259U1	10/1995	(DE) .
29702619U1	2/1997	(DE) .
0620159B1	3/1997	(EP) .
WO90/08631	8/1990	(WO) .
WO94/11258	5/1994	(WO) .

Primary Examiner—Philip S. Hyder
(74) *Attorney, Agent, or Firm*—Harness, Dickey & Pierce, P.L.C.

(56) **References Cited**

U.S. PATENT DOCUMENTS

D. 229,366	11/1973	Yonce .	
D. 264,396	5/1982	Harvey et al. .	
D. 333,727	3/1993	Schurman .	
D. 345,650	4/1994	Boyd	D3/905
D. 347,114	5/1994	Tengvall	D3/281
D. 390,358	2/1998	Calmeise	D3/295
D. 400,011	10/1998	Palmer et al.	D3/294
416,425	12/1889	Schmitt .	
D. 417,077	11/1999	Sheu	D3/294
D. 417,338	* 12/1999	Main et al.	D3/276
D. 417,781	* 12/1999	Staheli	D3/276
D. 418,977	1/2000	Streich	D3/273
D. 419,279	* 1/2000	Richardson et al.	D3/279
D. 419,768	* 2/2000	Richardson et al.	D3/279
D. 426,705	* 6/2000	Fang	D3/276
D. 429,884	* 8/2000	Zurwelle et al.	D3/276
D. 432,304	* 10/2000	Zurwelle et al.	D3/276
1,849,565	3/1932	Brady .	
2,012,800	8/1935	Allen .	
3,459,327	8/1969	Harris .	
3,698,404	10/1972	Greco .	

(57) **CLAIM**

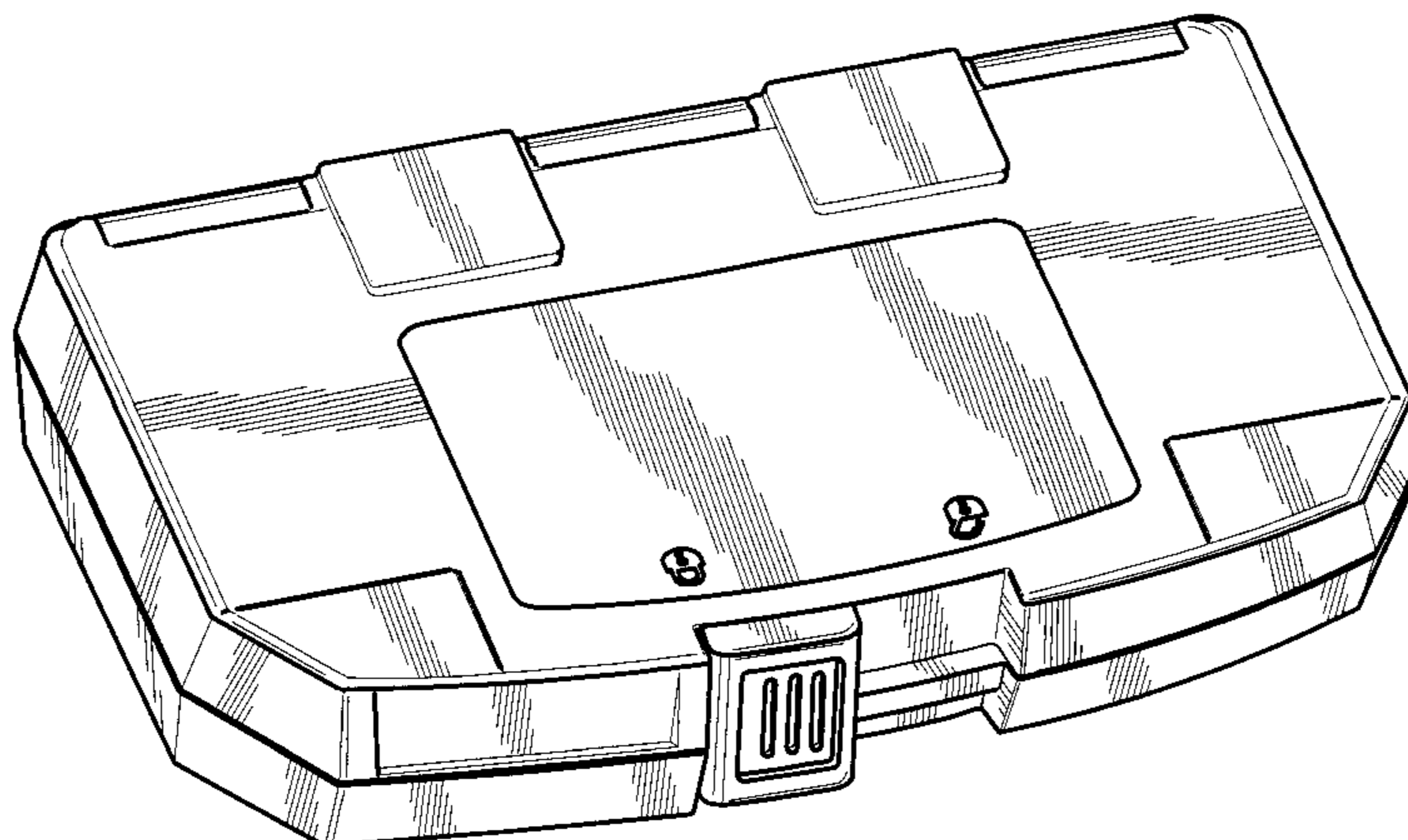
The ornamental design for a storage container, as shown and described.

DESCRIPTION

FIG. 1 is a front perspective view of a storage container shown in the closed position;
FIG. 2 is a top view thereof;
FIG. 3 is a front view thereof;
FIG. 4 is a bottom view thereof;
FIG. 5 is a left side view thereof;
FIG. 6 is a right side view thereof;
FIG. 7 is a rear view thereof;
FIG. 8 is a top view thereof with the latch in the open position;
FIG. 9 is a front view thereof with the latch in the open position;
FIG. 10 is a bottom view thereof with the latch in the open position;
FIG. 11 is an open view of the inside of the container;
FIG. 12 is an open view of the outside of the container; and,
FIG. 13 is an open perspective view of the inside of the container.

(List continued on next page.)

1 Claim, 7 Drawing Sheets



US D448,167 S

Page 2

U.S. PATENT DOCUMENTS

3,836,043	9/1974	Levin .	4,930,753	6/1990	Alvyn .	
4,210,252	7/1980	Cooke et al. .	4,934,549	6/1990	Allen .	
4,213,532	7/1980	Eggert et al. .	5,050,733	9/1991	Brennan	206/373
4,615,464	10/1986	Byrns .	5,553,710	9/1996	Takama	206/561
4,884,689	12/1989	Su-Chin .	5,915,553	6/1999	Brown et al.	206/372

* cited by examiner

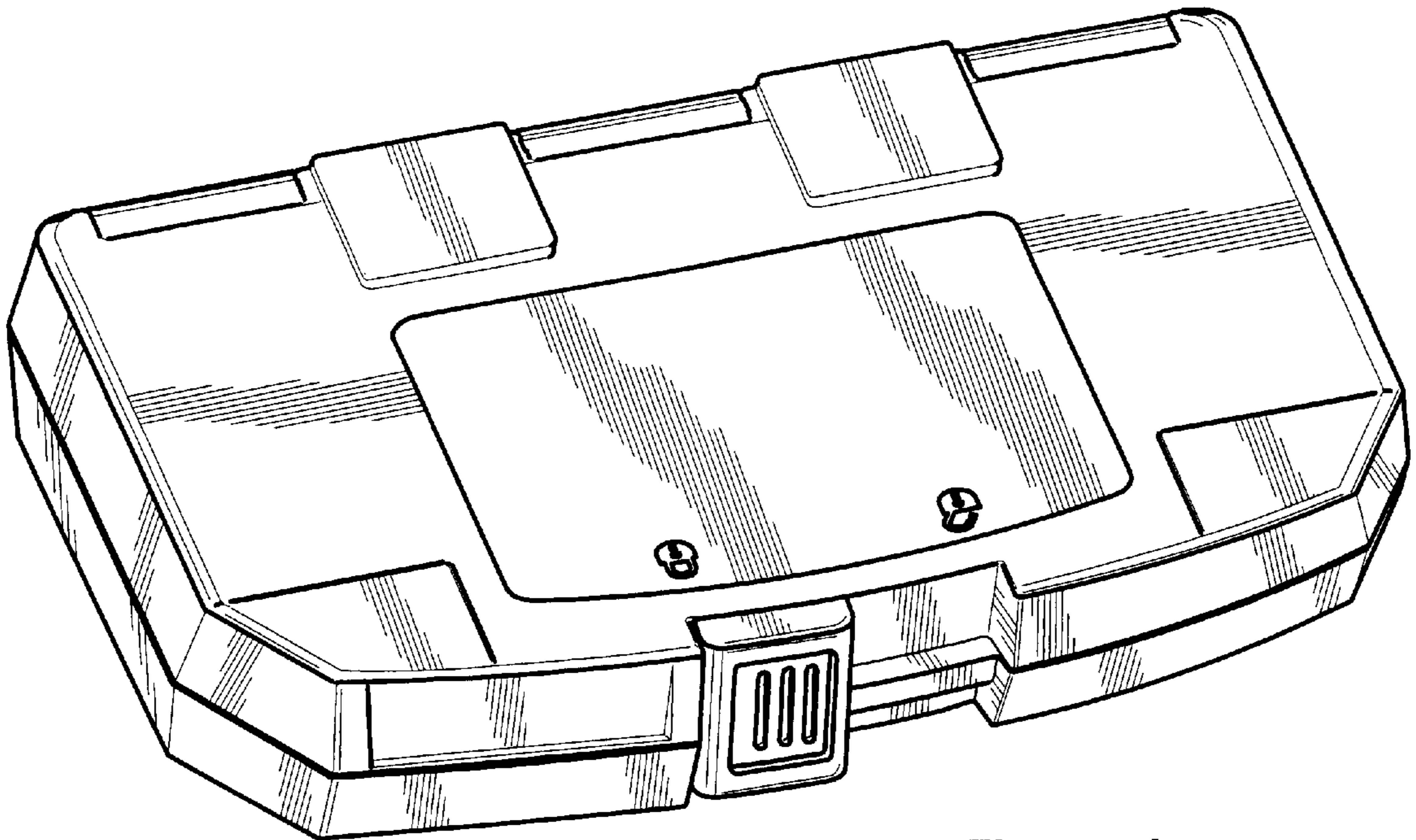


Figure - 1

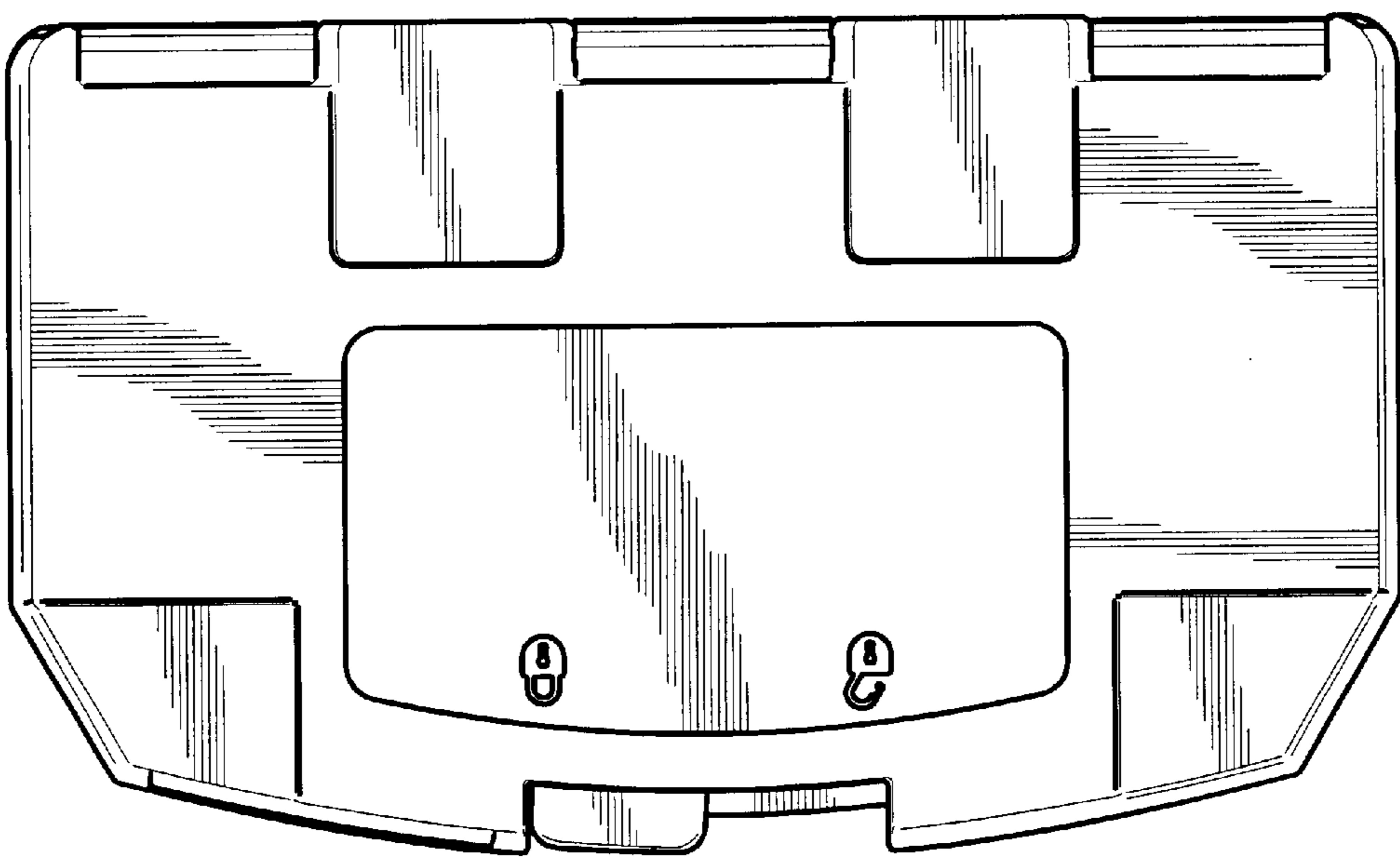


Figure - 2

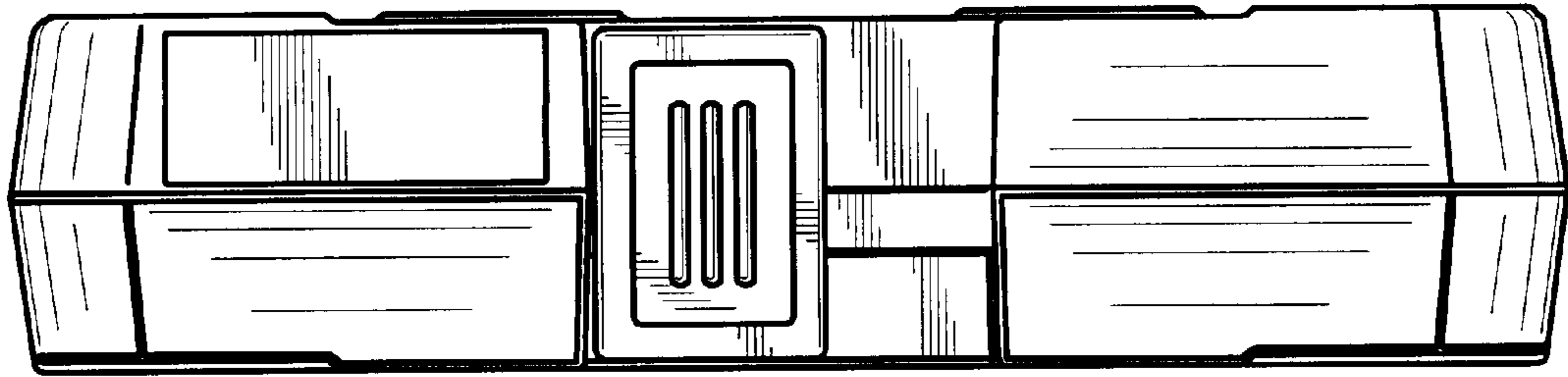


Figure - 3

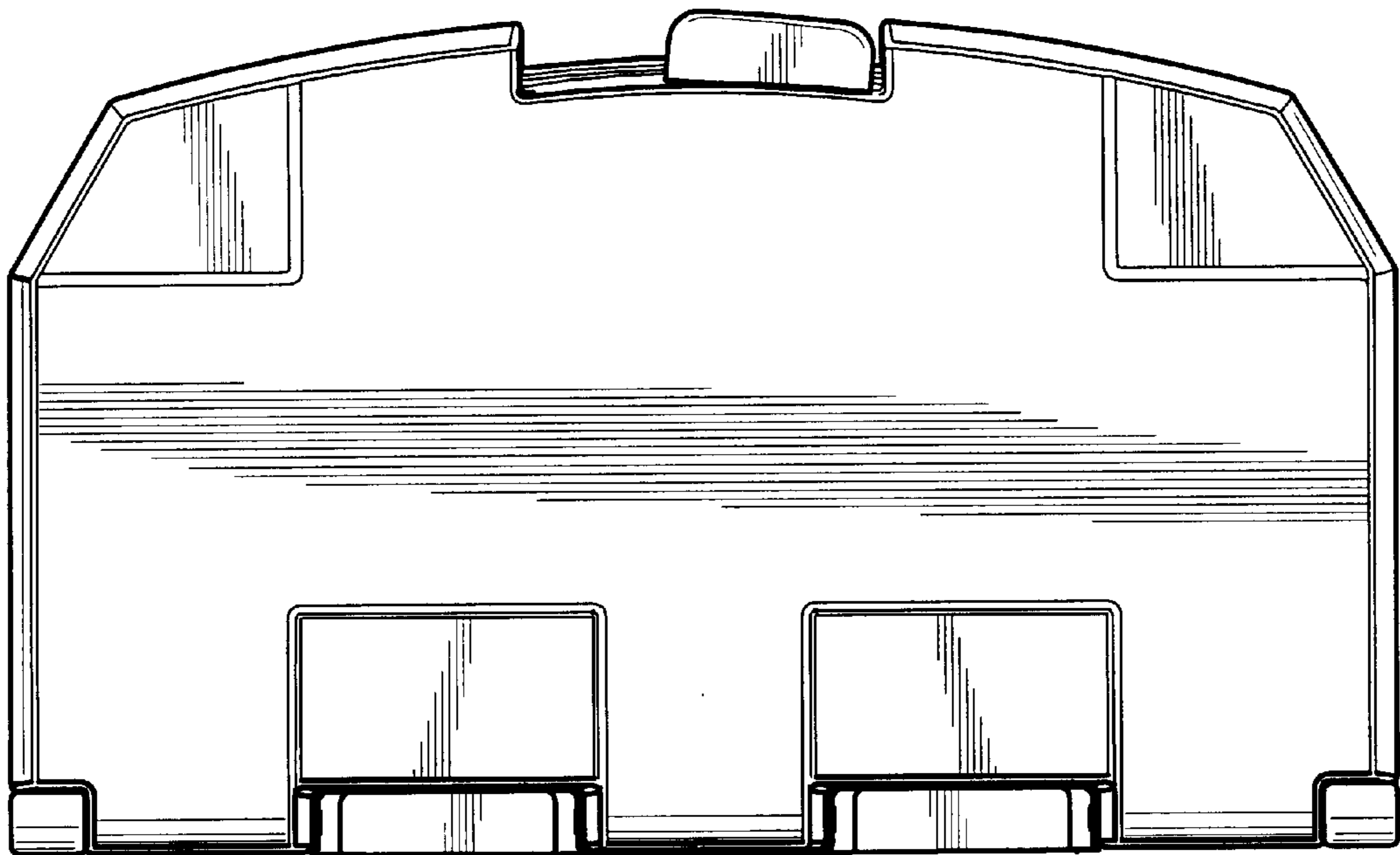


Figure - 4

Figure - 5



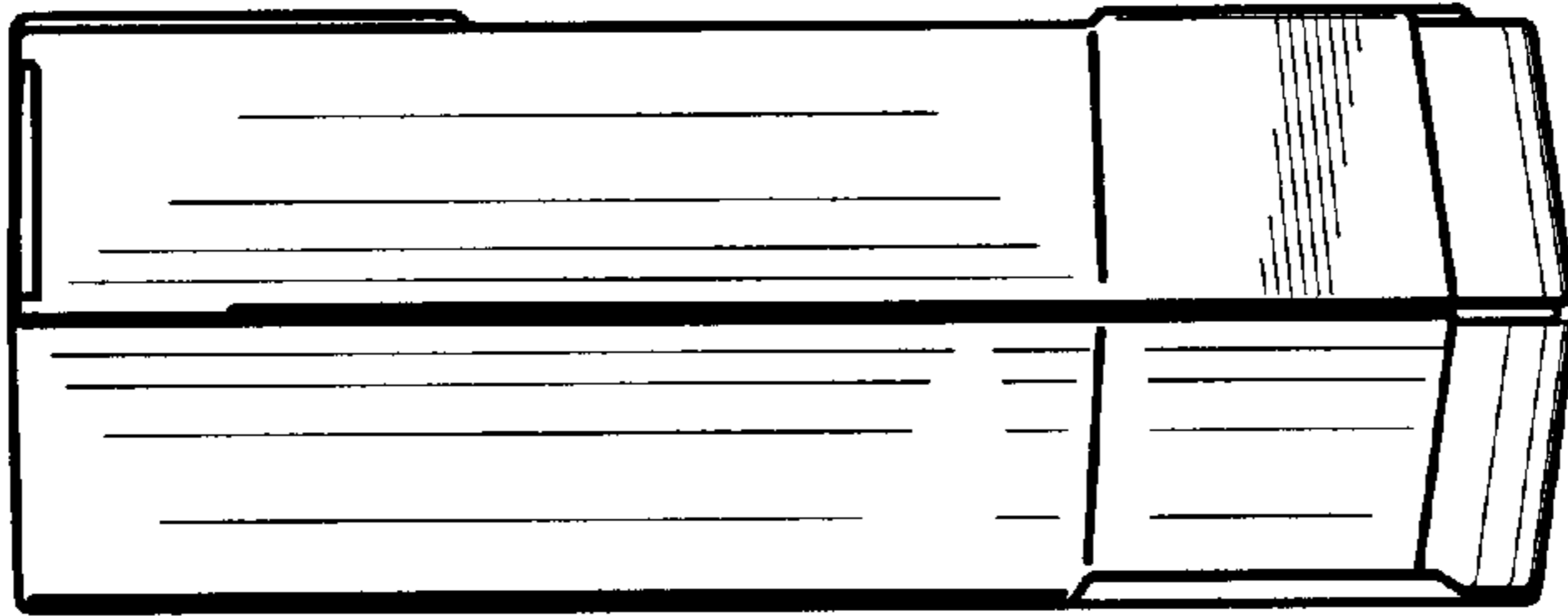


Figure - 6

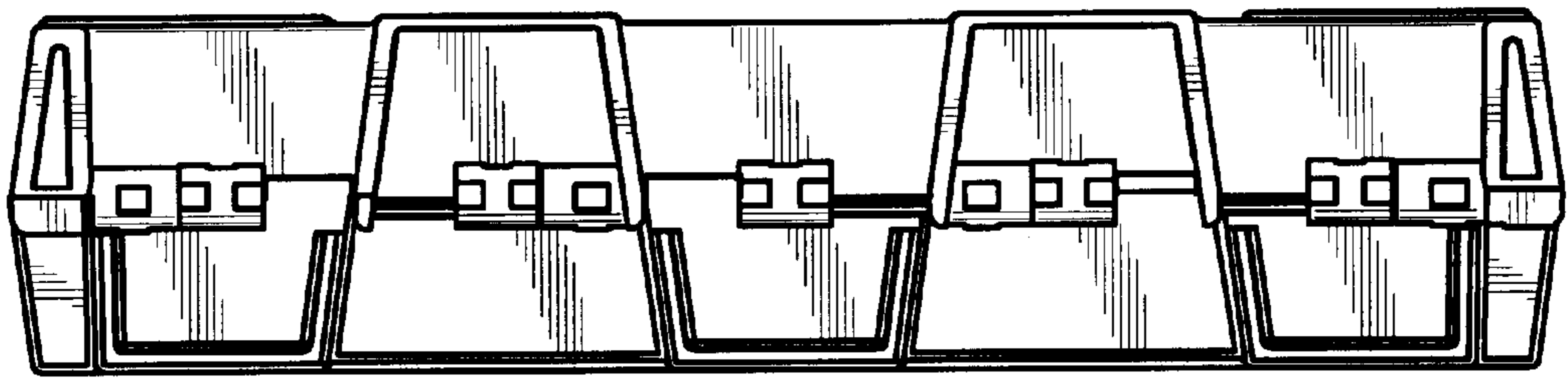


Figure - 7

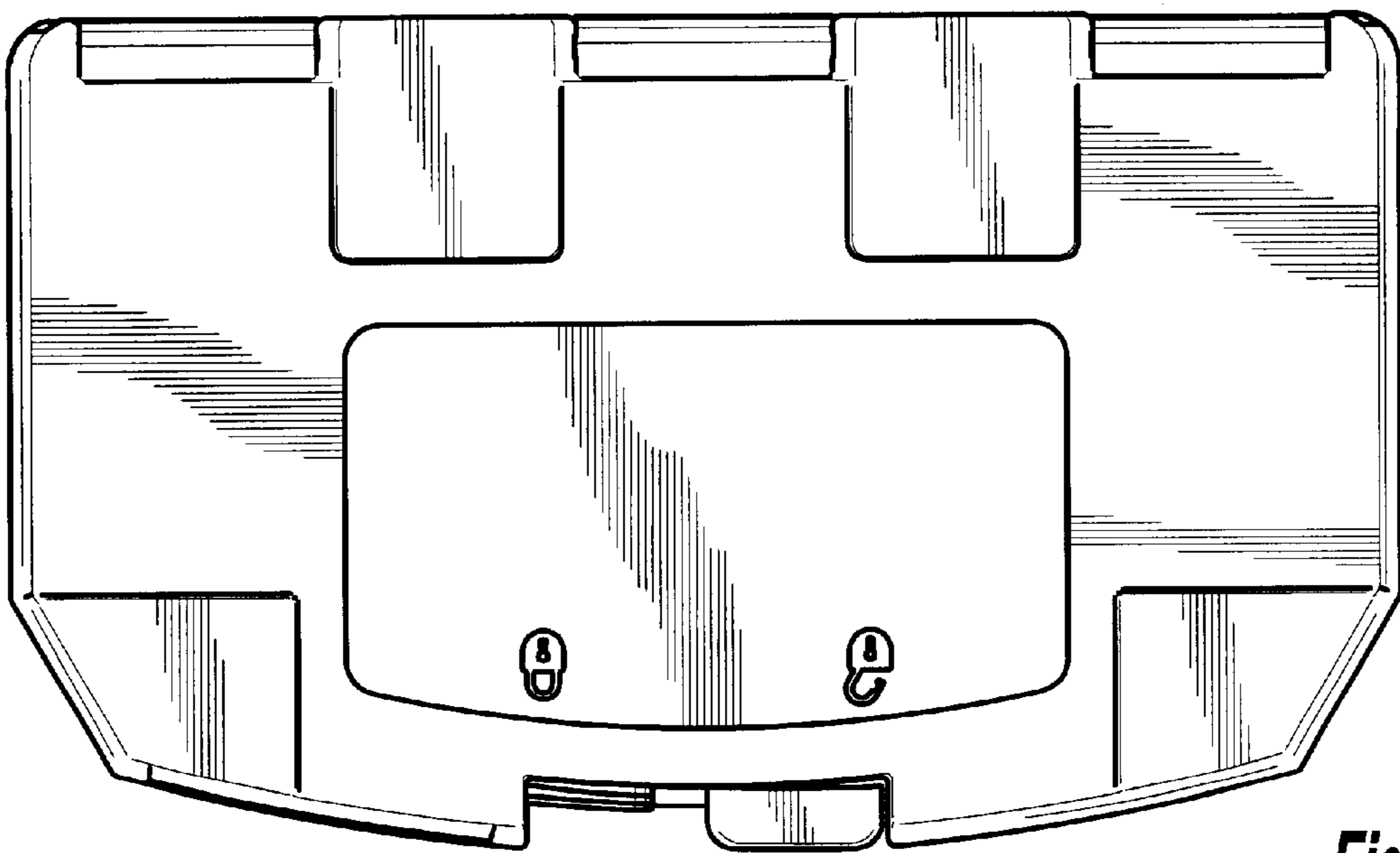


Figure - 8

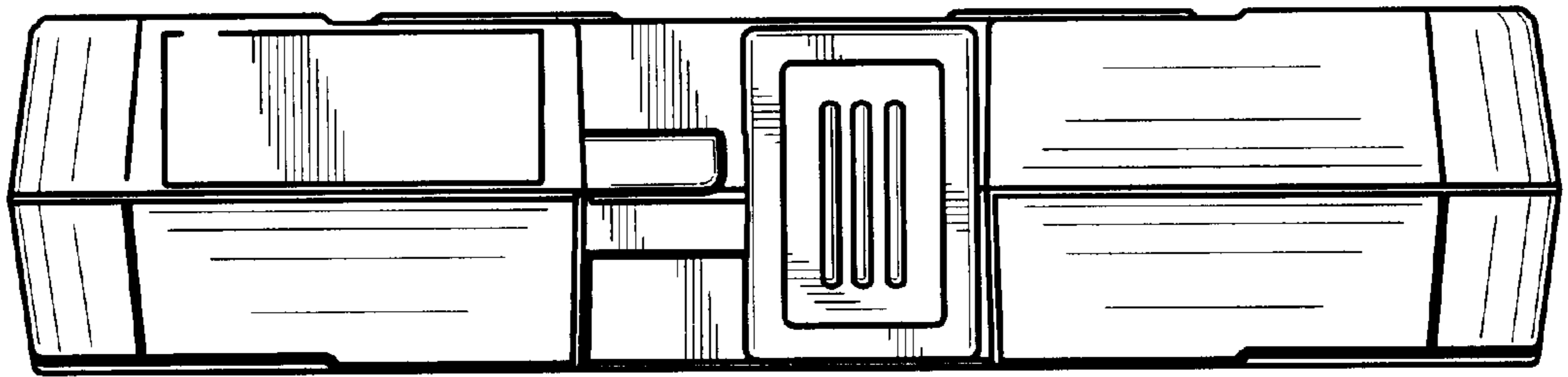


Figure - 9

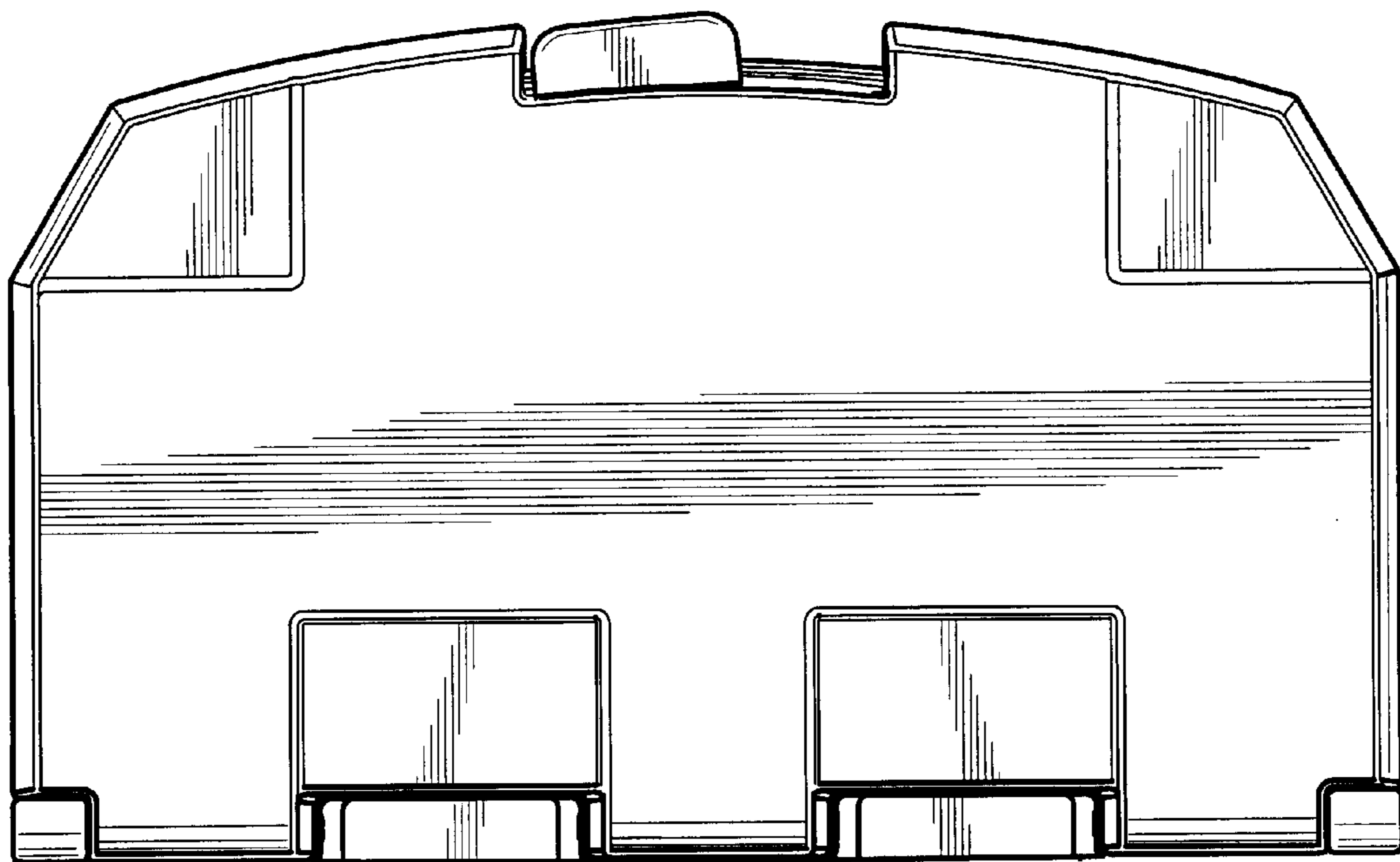


Figure - 10

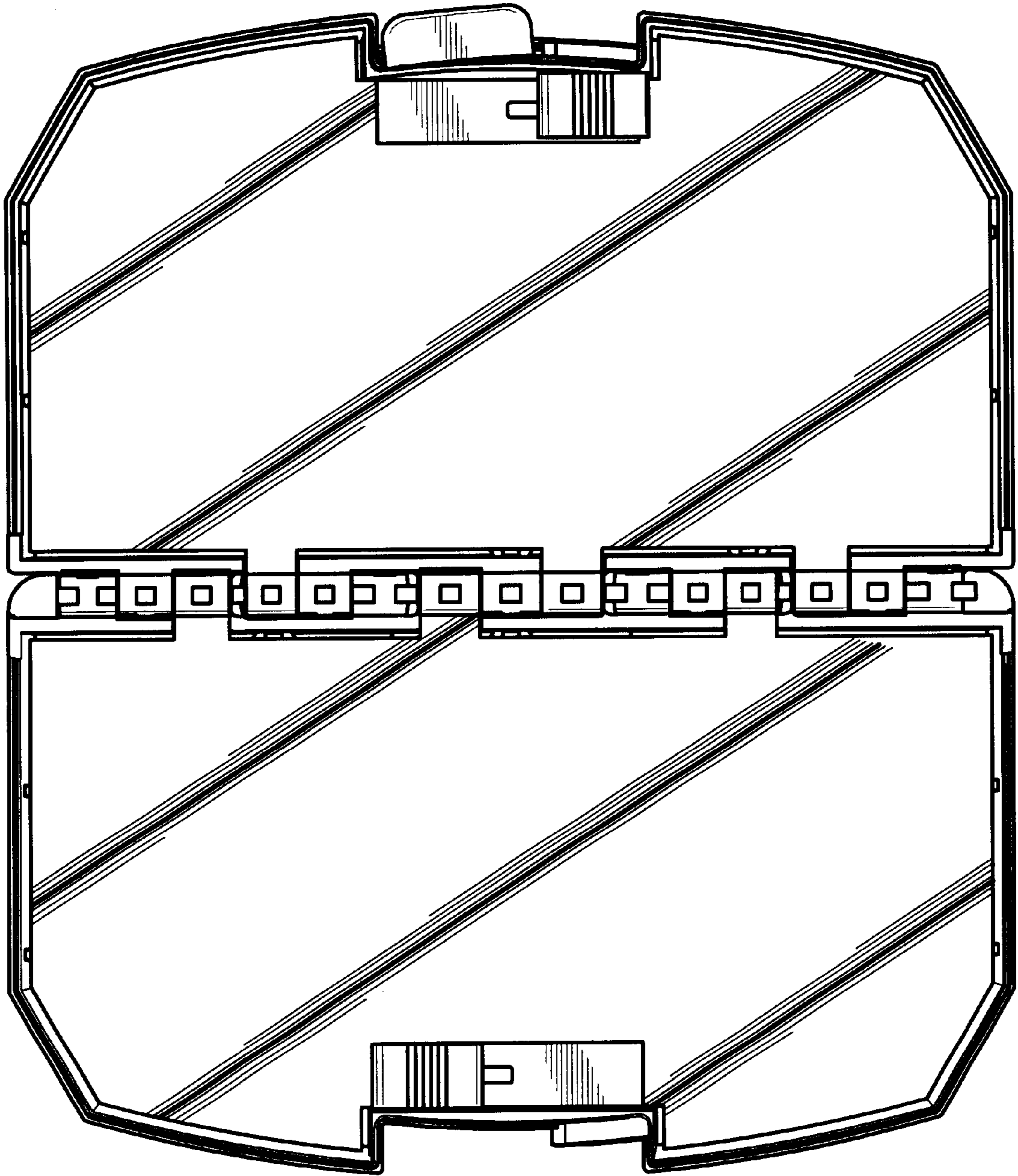


Figure - 11

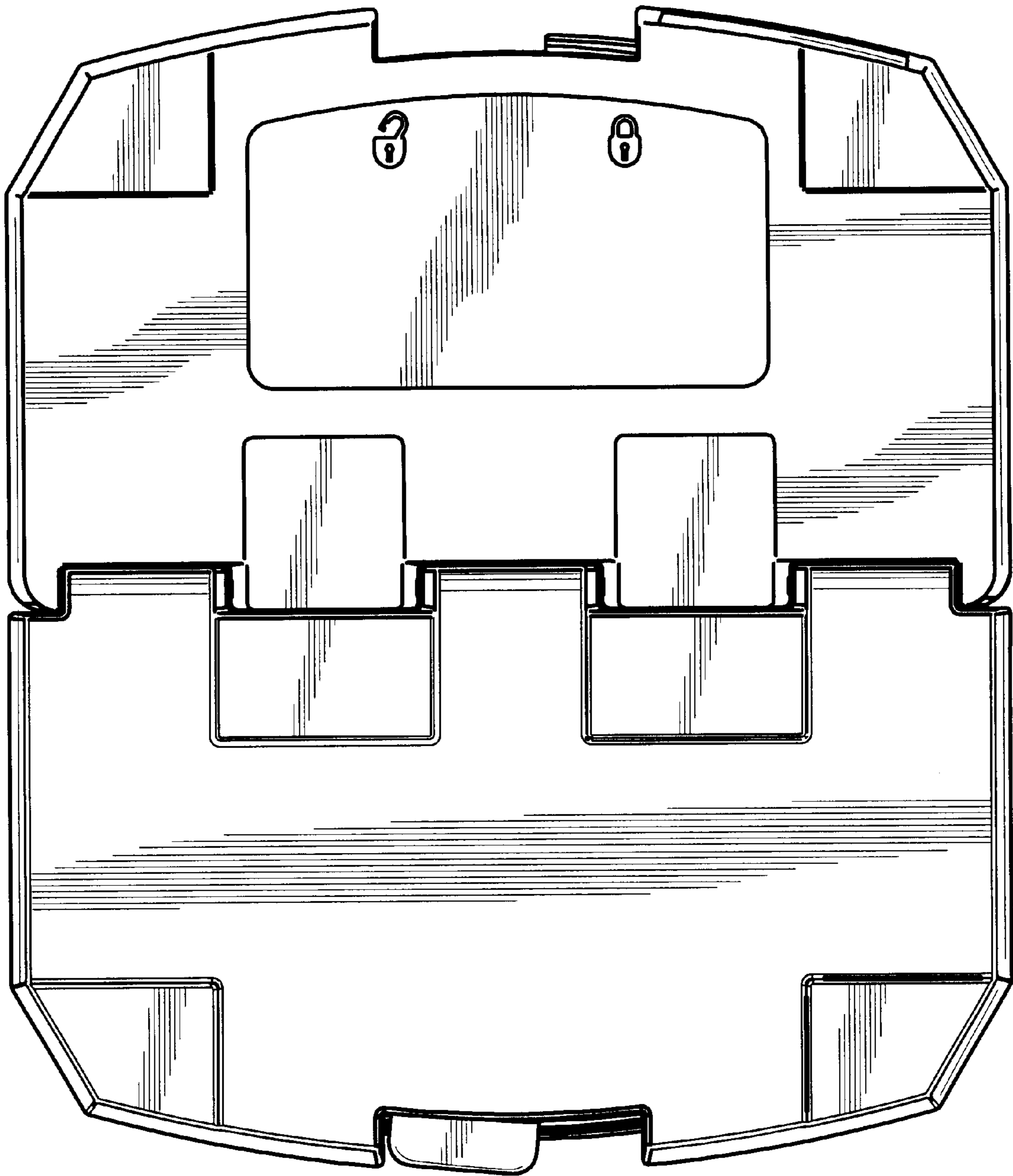


Figure - 12

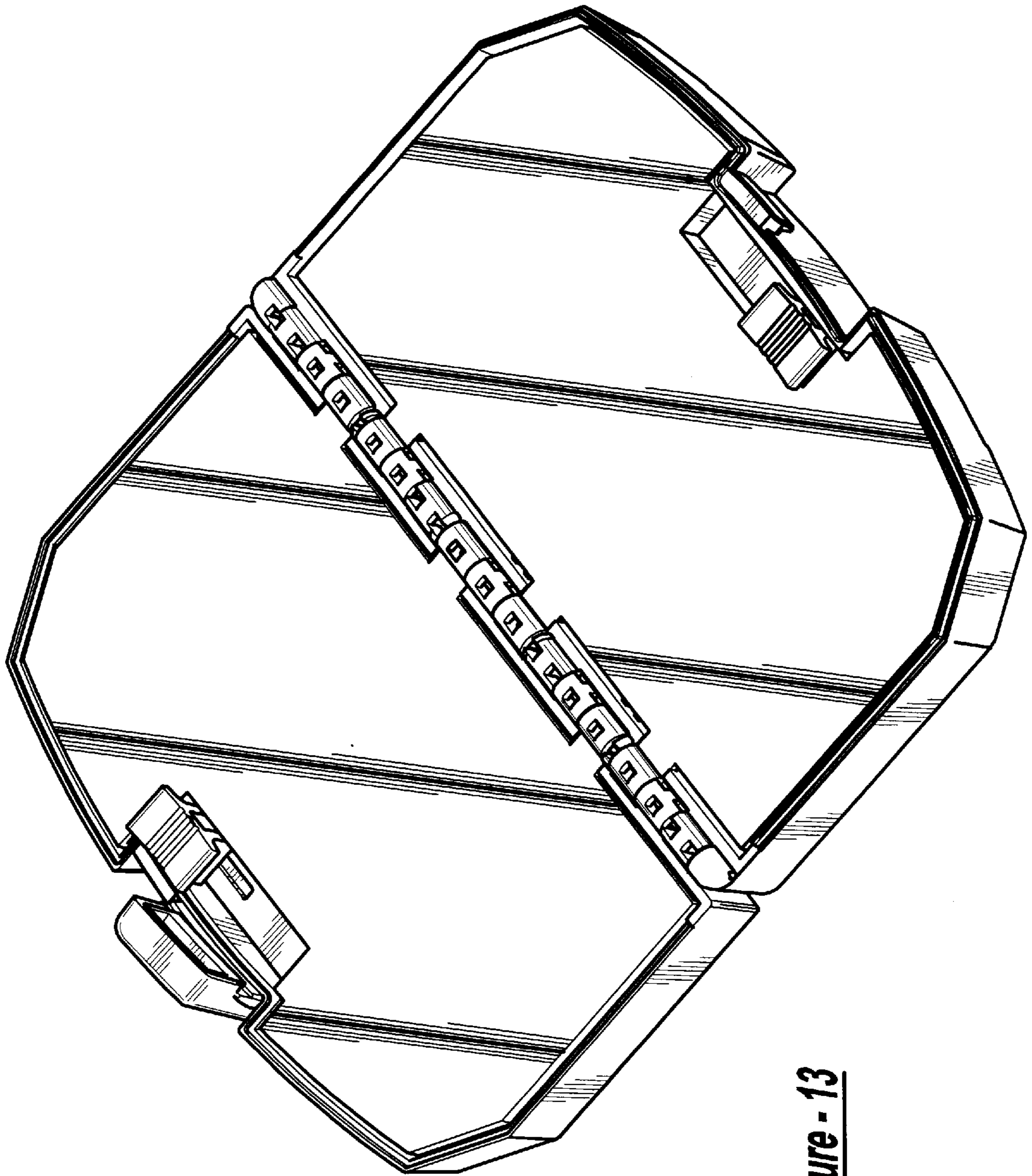


Figure - 13