



US00D448162B1

(12) **United States Design Patent**
Snider

(10) **Patent No.:** **US D448,162 S**

(45) **Date of Patent:** **** Sep. 25, 2001**

(54) **TOOL STORAGE POUCH**

(75) **Inventor:** **Gregory Scott Snider**, Bel Air, MD (US)

(73) **Assignee:** **Black & Decker Inc.**, Newark, DE (US)

(**) **Term:** **14 Years**

(21) **Appl. No.:** **29/127,254**

(22) **Filed:** **Aug. 2, 2000**

(51) **LOC (7) Cl.** **03-01**

(52) **U.S. Cl.** **D3/228**

(58) **Field of Search** D3/228, 215, 224, D3/226, 221; 224/904, 901, 240, 245, 242, 677, 682, 683, 684, 666; 206/373, 374

(56) **References Cited**

U.S. PATENT DOCUMENTS

D. 302,489	*	8/1989	Stone et al.	D3/228
D. 316,185		4/1991	Seber	D3/228
D. 316,186		4/1991	Seber	D3/228
D. 316,485		4/1991	Seber	D3/228
D. 333,040		2/1993	Dancyger	D3/228
D. 333,916		3/1993	Seber et al.	D3/228
D. 344,186		2/1994	Seber	D3/228
D. 348,777		7/1994	Dancyger	D3/228
D. 348,982		7/1994	Dancyger	D3/228
D. 349,603		8/1994	Doerksen	D3/228
D. 350,229		9/1994	Dancyger	D3/228
D. 350,849		9/1994	Dancyger	D3/228
D. 381,804		8/1997	Dancyger	D3/228
D. 423,773	*	5/2000	Dancyger	D3/228
D. 431,104	*	9/2000	Dancyger	D3/228
5,341,975		8/1994	Marinescu	224/666
5,547,115		8/1996	Ambrosius et al.	224/240
6,179,185	*	1/2001	Dancyger	224/904 X

OTHER PUBLICATIONS

Bob'Leather (<http://www.bobsleather.com>).
Bramec Corp., Bucket Boss Brand (<http://www.bramec.com/pages/18748.htm>).

Carpenter, vol. 101, No. 3 (Mar. 1981), p. 13.
Carpenter, vol. 108, No. 5 (May 1988), p. 27.
Carpenter, vol. 108, No. 9 (Oct. 1988), p. 39.
Diamond Back USA, Ergonomic Toolbelt Systems (<http://www.diamondbackusa.com/c13.htm>).
Fine Homebuilding Builder's Library, "Tools for Building", The Taunton Press (1988), pp. 146-149.
Hyde Tool, Catalog No. 272 (1986), p. 30.
Remodeling, vol. 3, No. 1 (Jan. 1987), a Hanley-Wood, Inc. publication.
Remodeling, vol. 4, No. 3 (Mar. 1988), a Hanley-Wood, Inc. publication.

* cited by examiner

Primary Examiner—Catherine R. Oliver
(74) *Attorney, Agent, or Firm*—Harness, Dickey & Pierce, P.L.C.

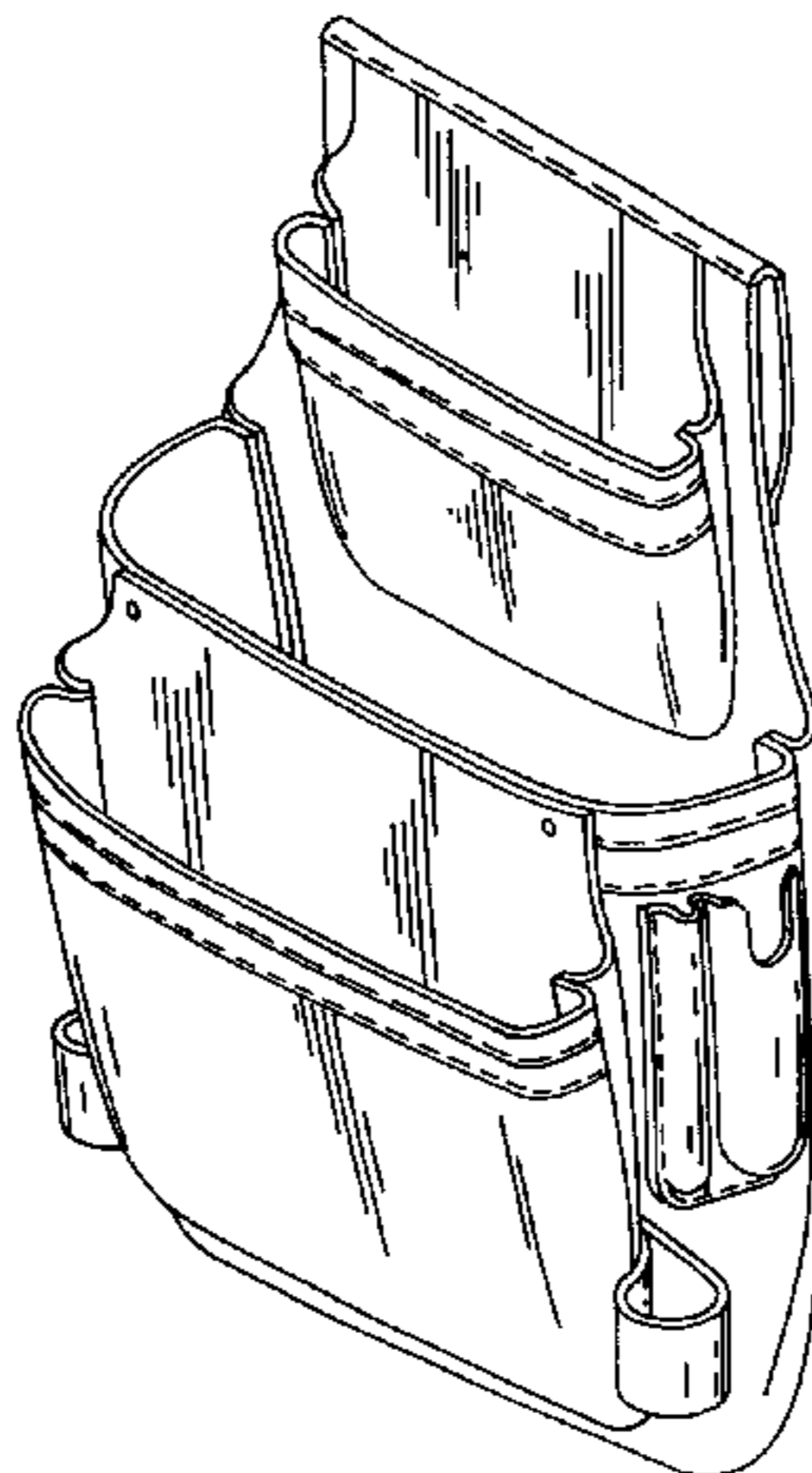
(57) **CLAIM**

The ornamental design for a tool storage pouch, as shown and described.

DESCRIPTION

FIG. 1 is a front perspective view of a tool storage pouch shown in the closed position;
FIG. 2 is a front view thereof;
FIG. 3 is a right side view thereof;
FIG. 4 is a left side view thereof;
FIG. 5 is a rear view thereof;
FIG. 6 is a top view thereof;
FIG. 7 is a bottom view thereof;
FIG. 8 is a front perspective view of a tool storage pouch shown in the closed position, according to a second embodiment;
FIG. 9 is a front view thereof;
FIG. 10 is a right side view thereof;
FIG. 11 is a left side view thereof;
FIG. 12 is a rear view thereof;
FIG. 13 is a top view thereof; and,
FIG. 14 is a bottom view thereof.

1 Claim, 4 Drawing Sheets



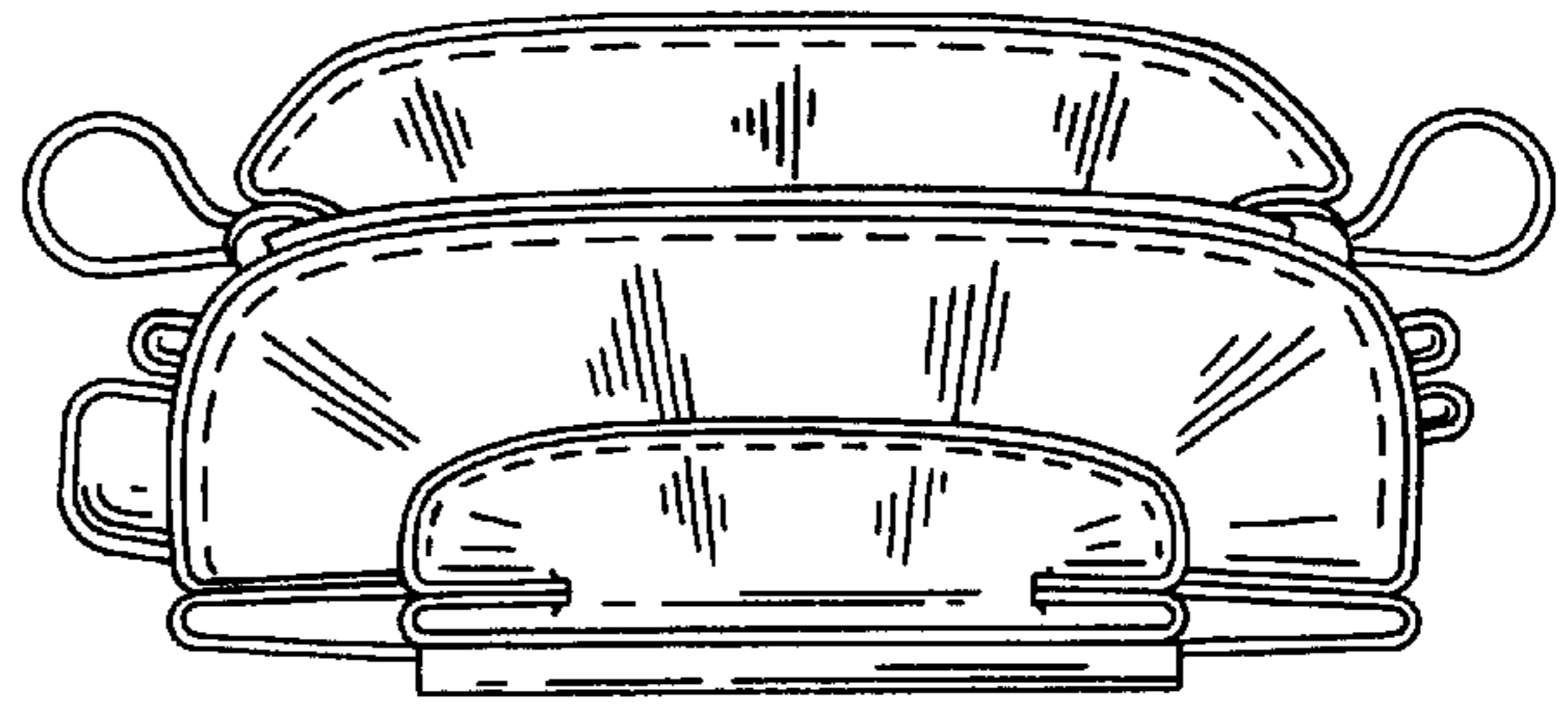


FIG 6

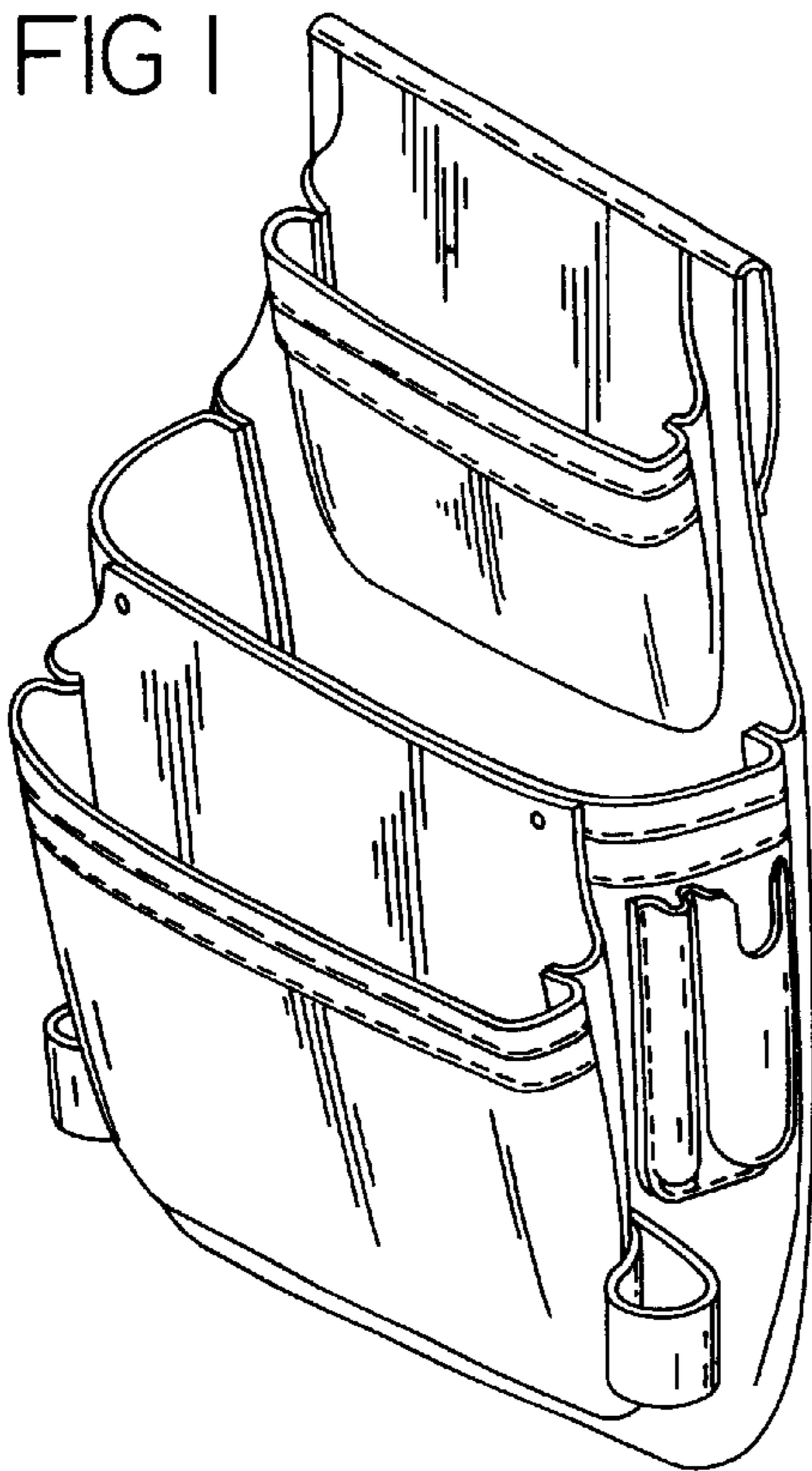


FIG 1

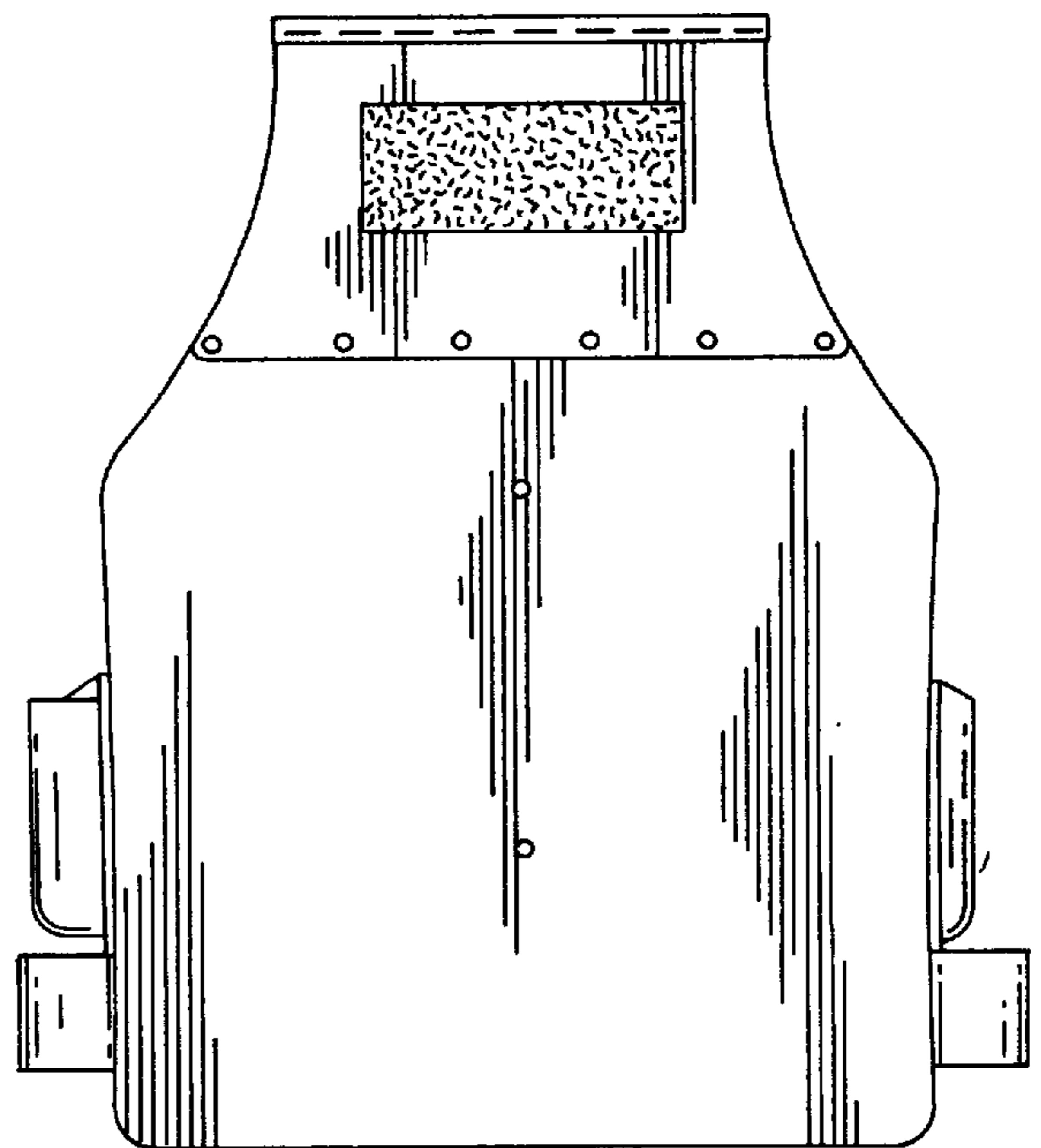


FIG 5

FIG 2

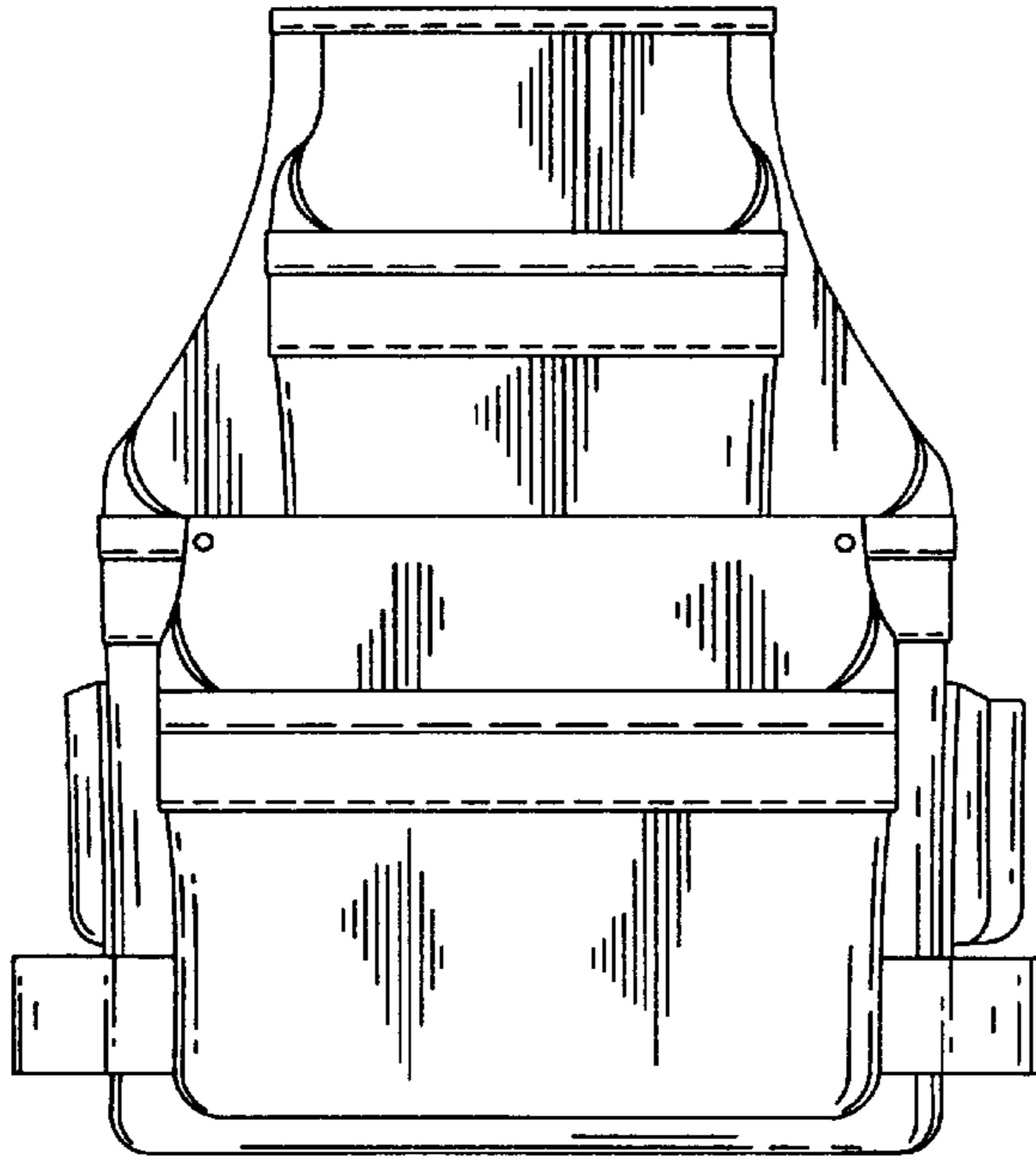


FIG 3

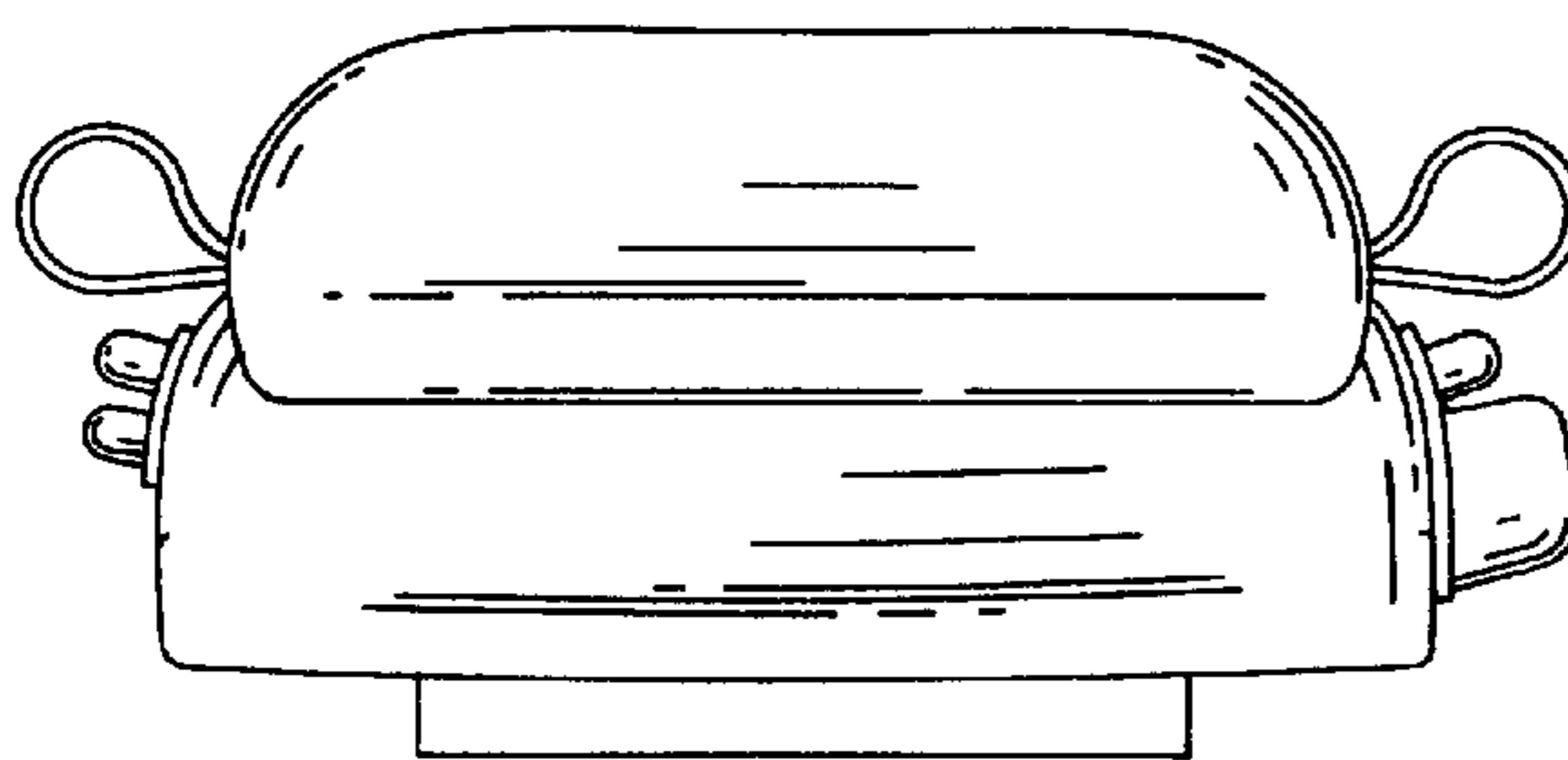
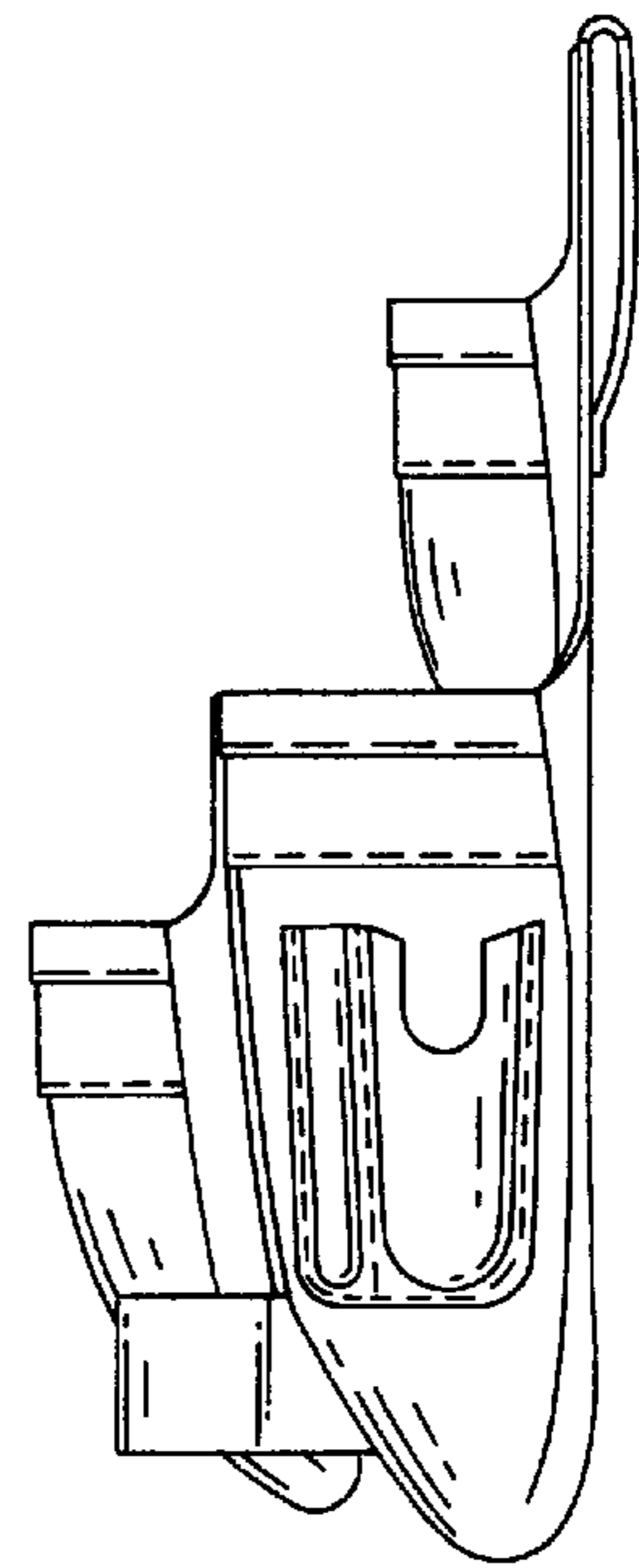


FIG 7

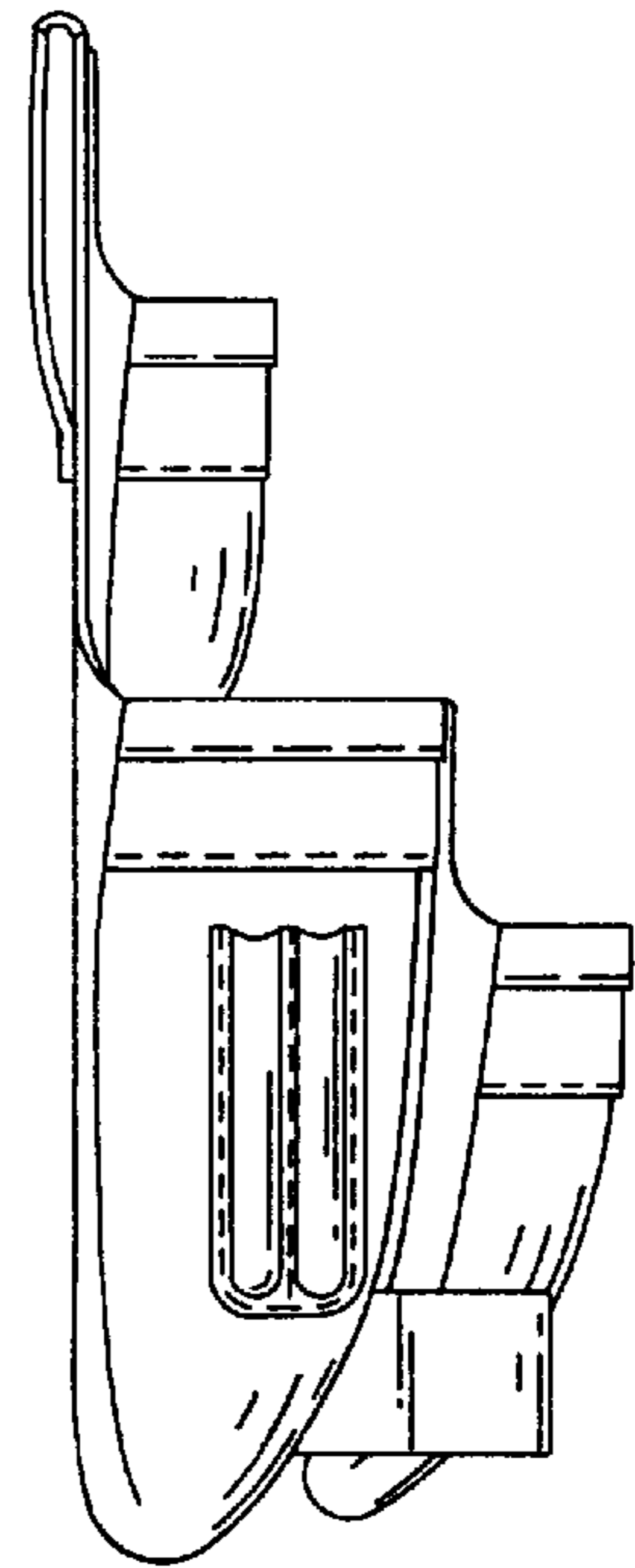


FIG 4

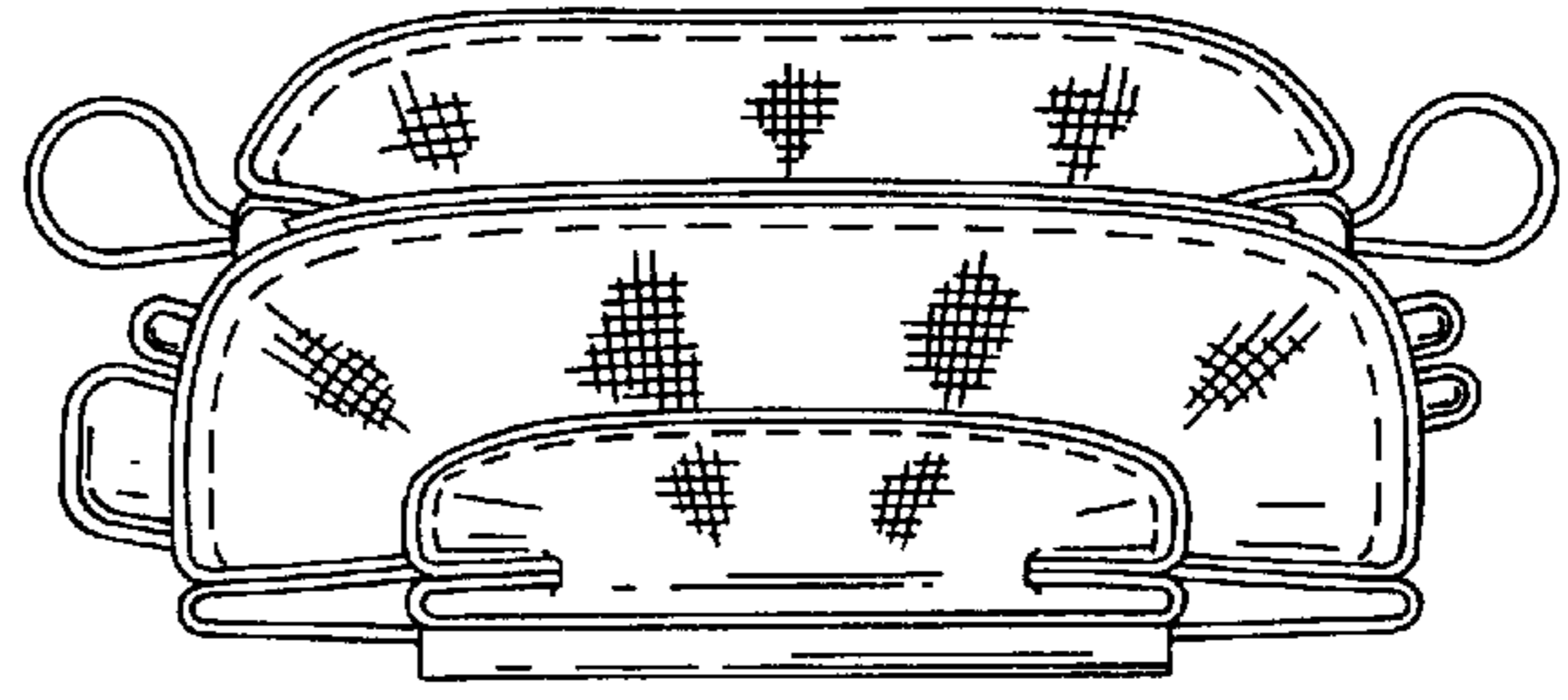


FIG 13

FIG 8

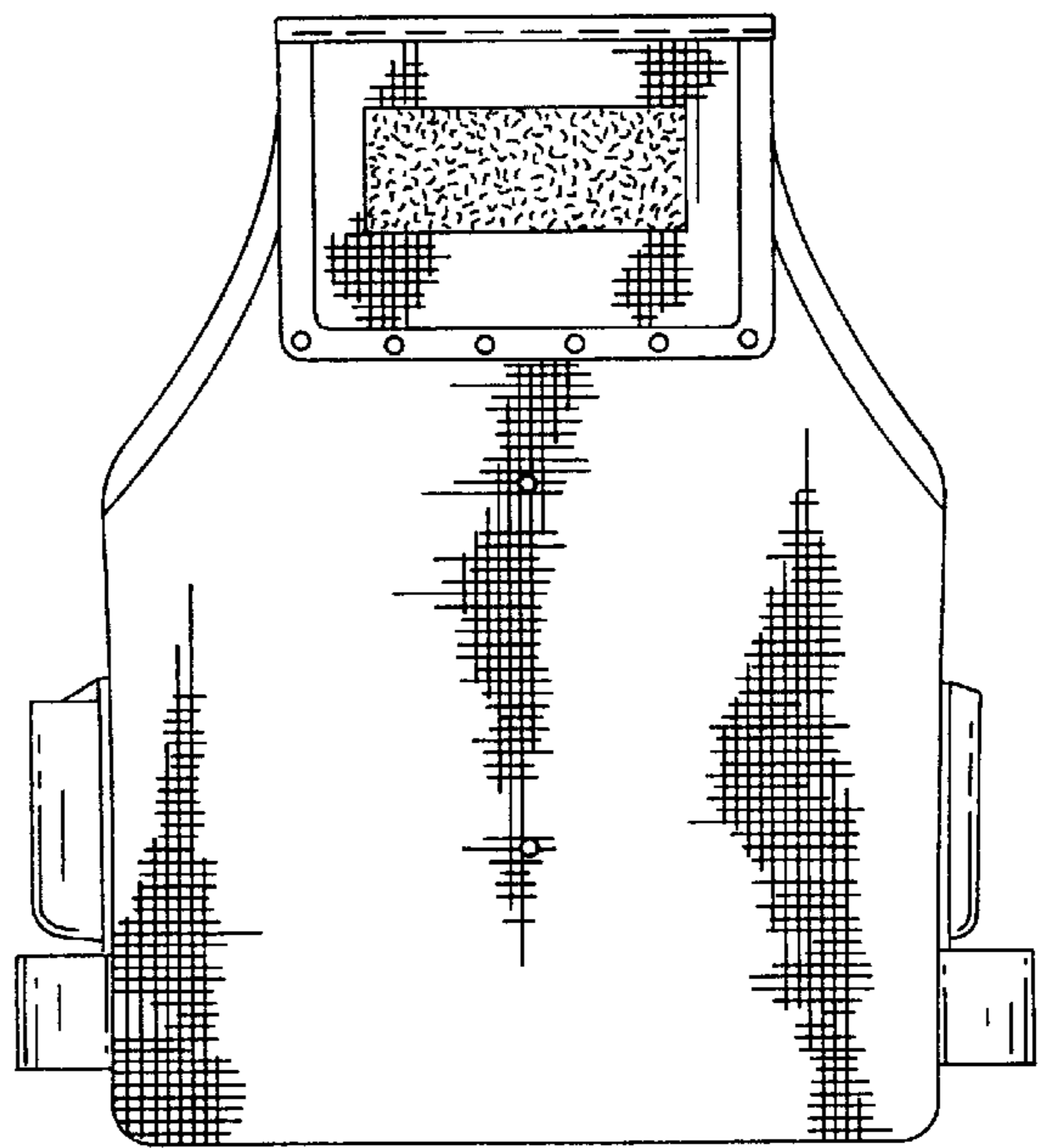
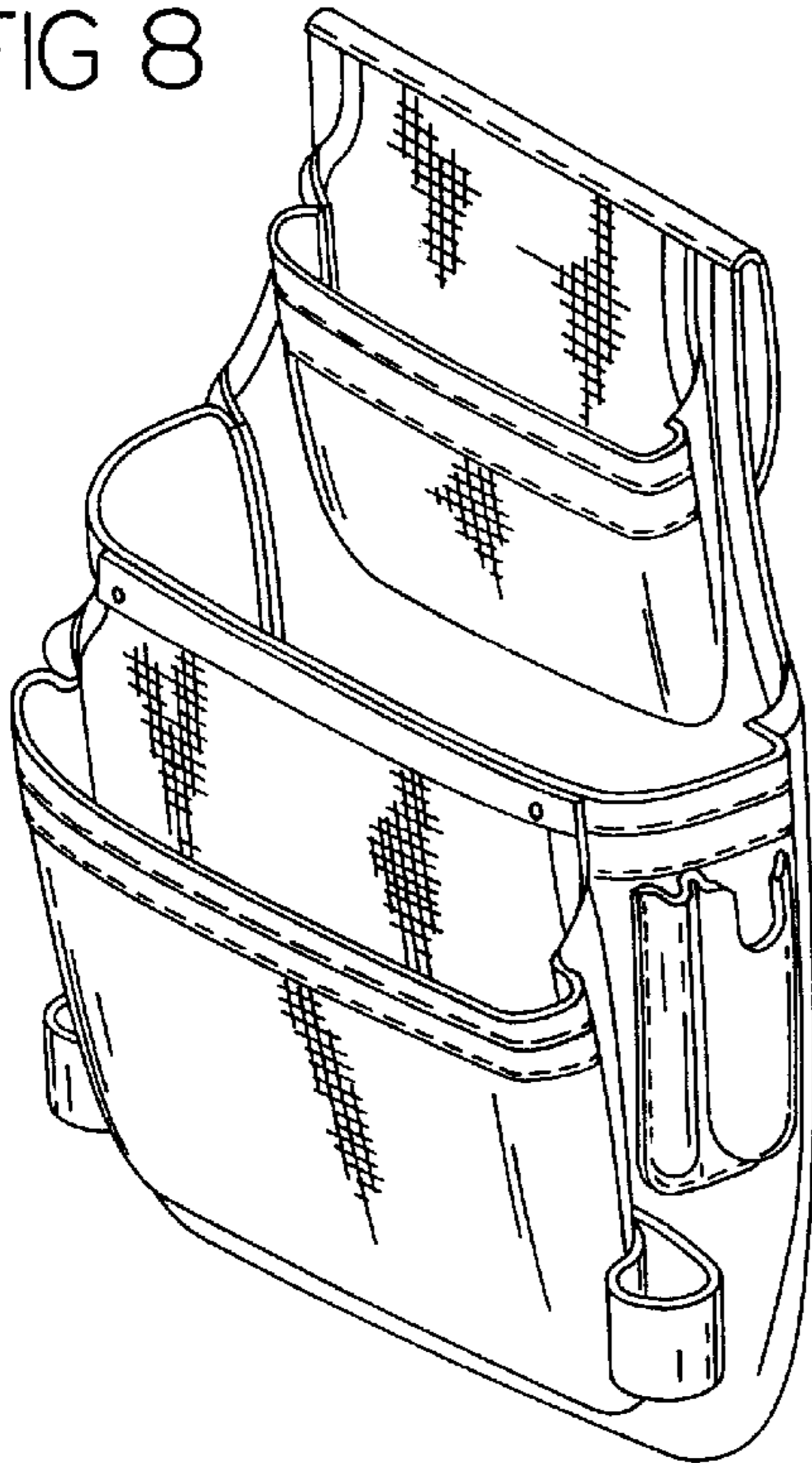


FIG 12

FIG 9

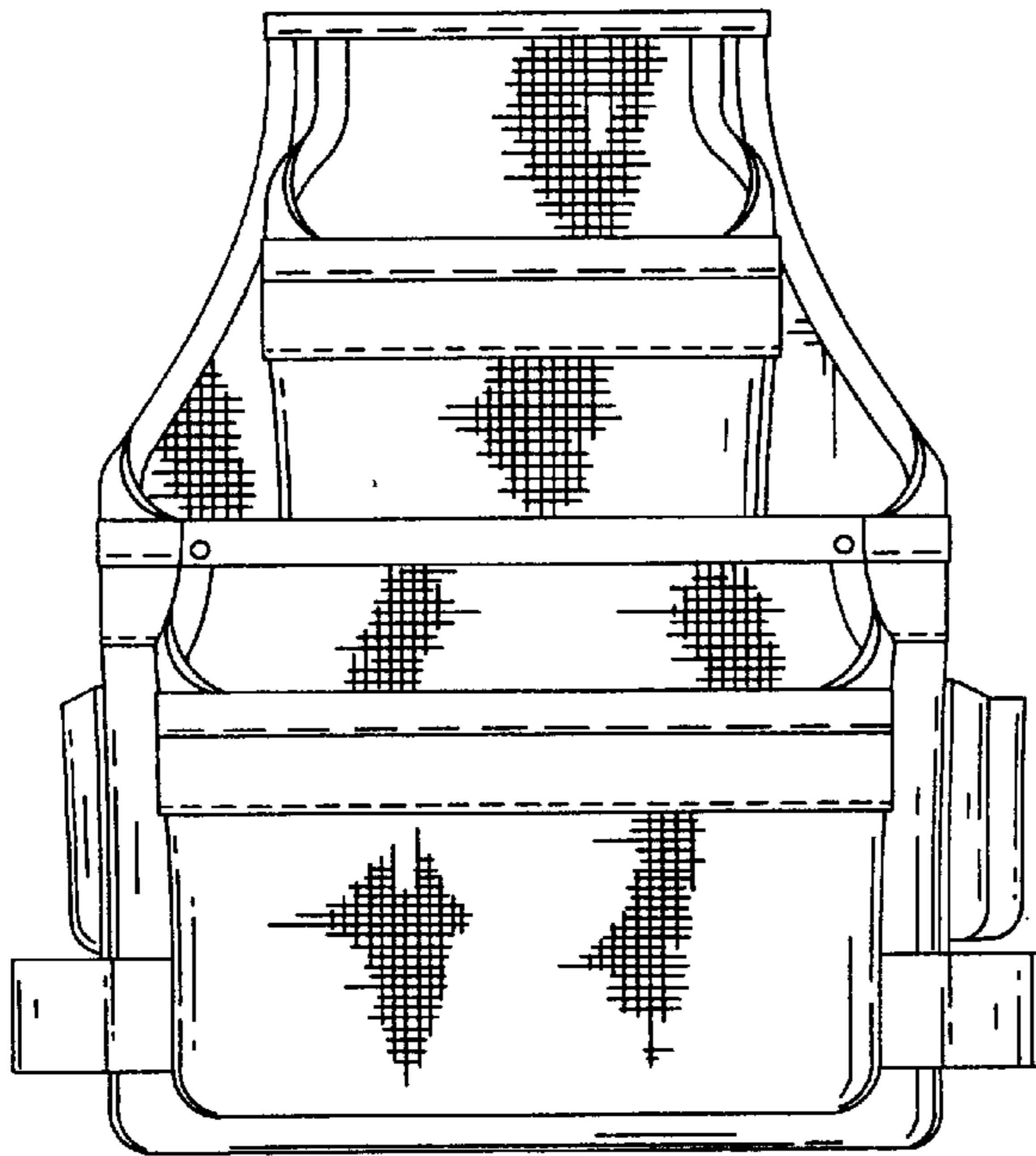


FIG 10

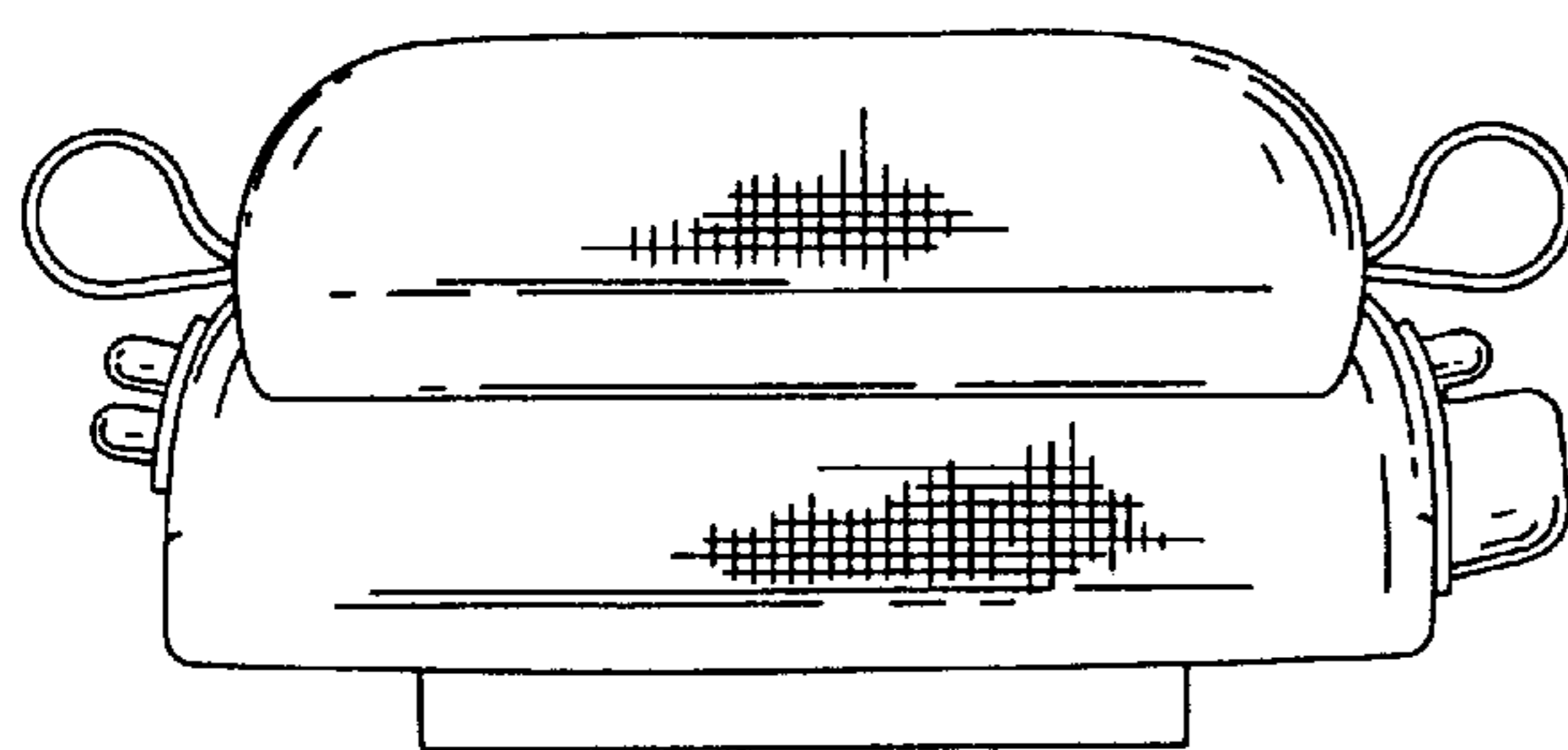
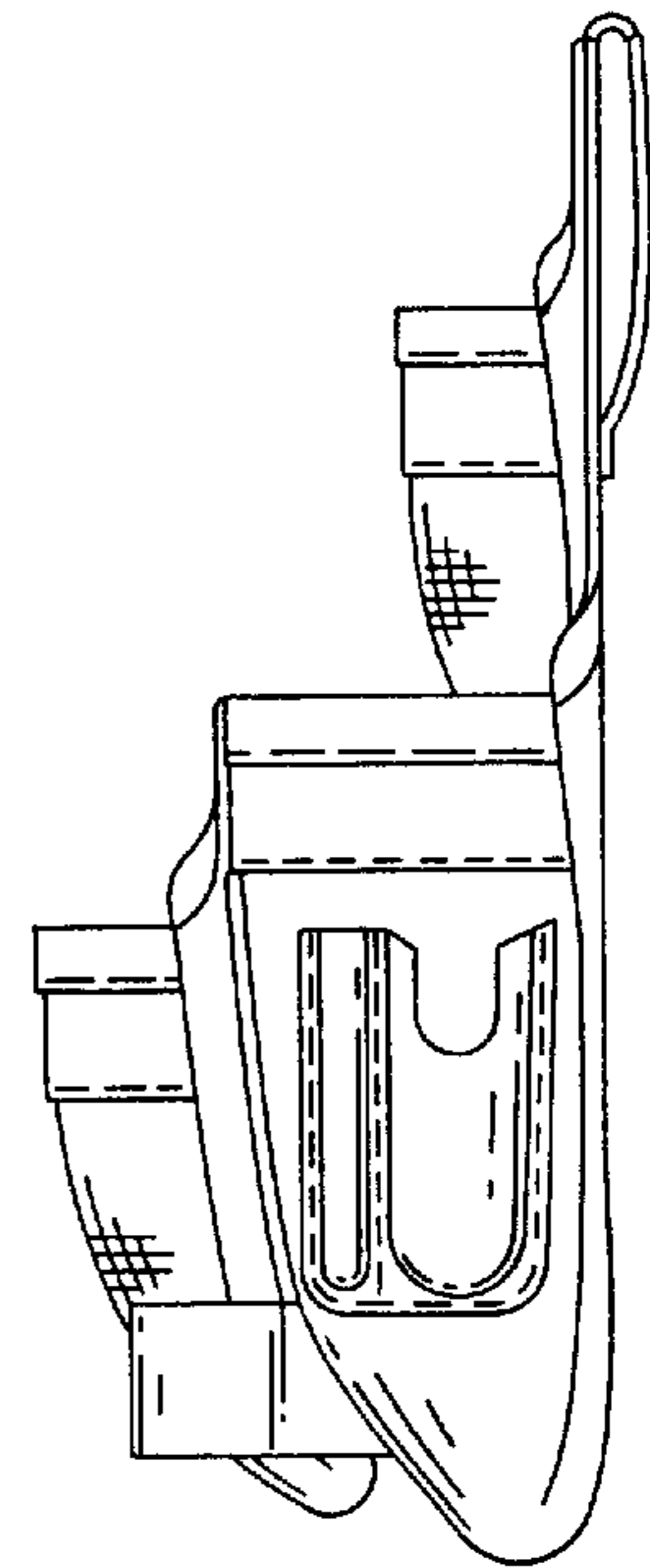


FIG 14

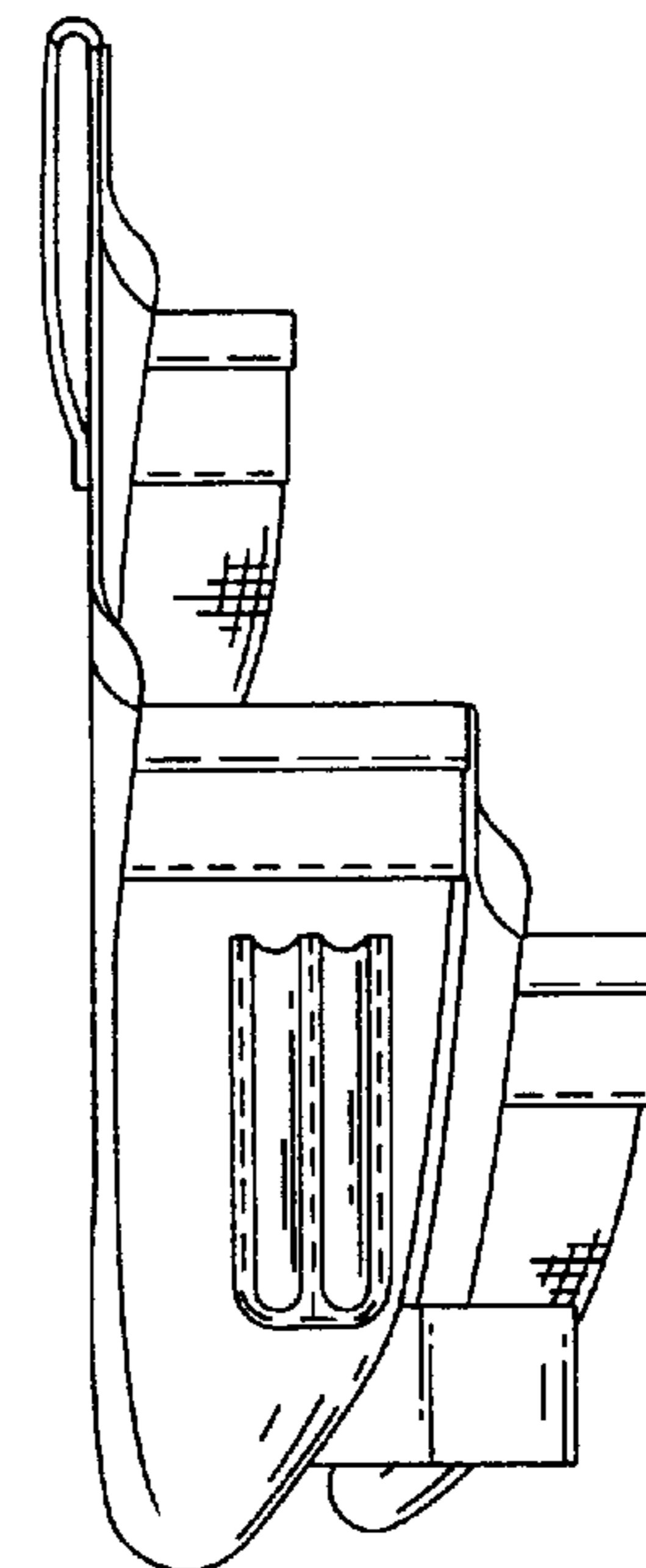


FIG 11