



US00D448155B1

(12) **United States Design Patent**
Zeller

(10) **Patent No.:** **US D448,155 S**

(45) **Date of Patent:** **** Sep. 25, 2001**

(54) **KEY HOLDER**

(76) Inventor: **Noel E. Zeller**, c/o Zelco Industries,
Inc. 65 Haven Ave., Mount Vernon, NY
(US) 10553-4445

(**) Term: **14 Years**

(21) Appl. No.: **29/128,199**

(22) Filed: **Aug. 18, 2000**

(51) **LOC (7) Cl.** **03-01**

(52) **U.S. Cl.** **D3/207**

(58) **Field of Search** D3/207-212; 24/3.6;
70/456 R, 457, 458; D26/37, 43, 49; 23/27

(56) **References Cited**

U.S. PATENT DOCUMENTS

- D. 308,600 * 6/1990 Wischnowsky D3/207
- D. 411,036 * 6/1999 Barmes D3/208

* cited by examiner

Primary Examiner—Ralf Seifert

(74) *Attorney, Agent, or Firm*—Cooper & Dunham LLP;
Donald S. Dowden

(57) **CLAIM**

The ornamental design for a key holder, as shown and described.

DESCRIPTION

FIG. 1 is a front view of a key holder showing my new design;

FIG. 2 is a top view thereof;

FIG. 3 is a bottom view thereof;

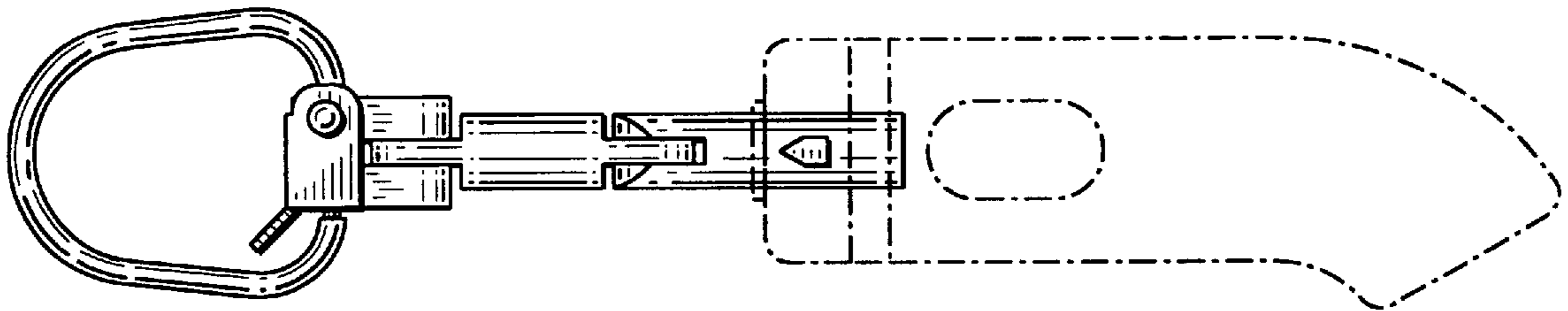
FIG. 4 is a right side view thereof;

FIG. 5 is a left side view thereof; and,

FIG. 6 is a rear view thereof.

It being understood that the broken lines are for illustrative purposes only.

1 Claim, 1 Drawing Sheet



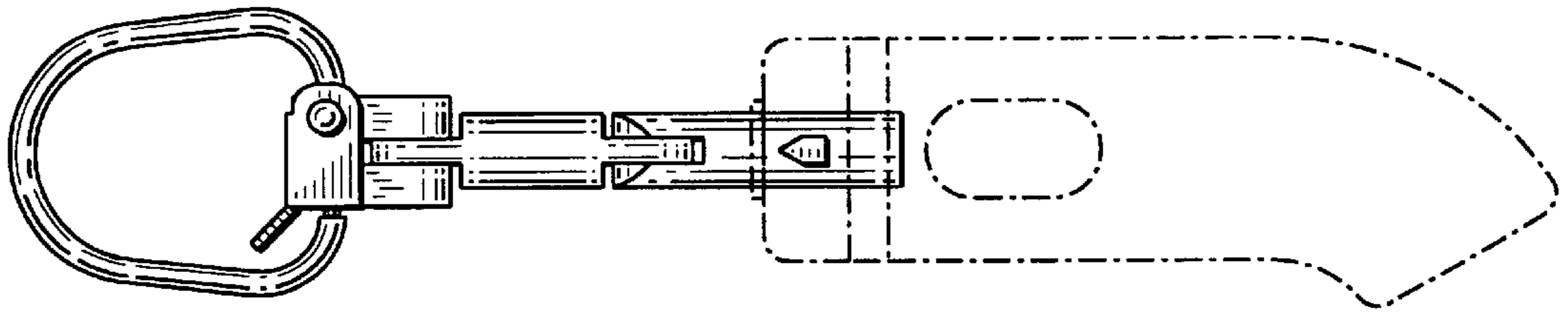


FIG. 1

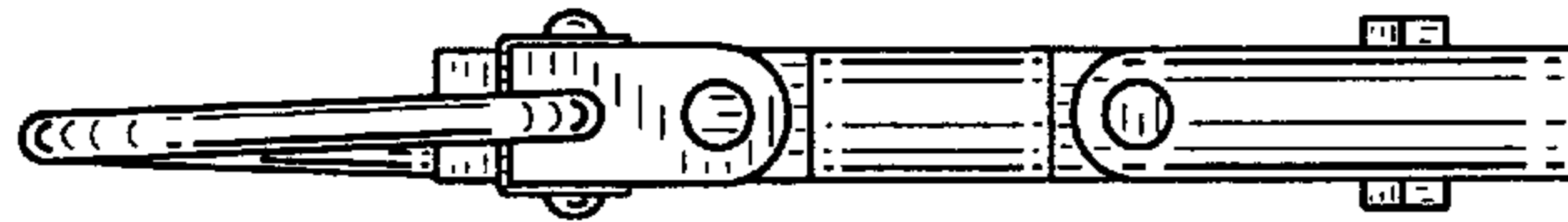


FIG. 2

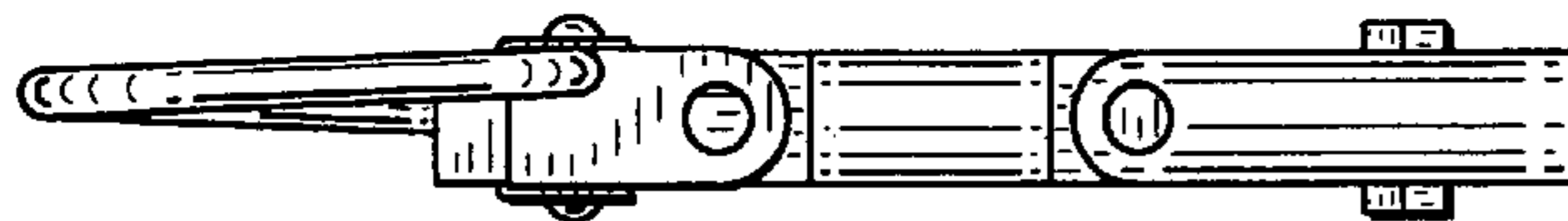


FIG. 3

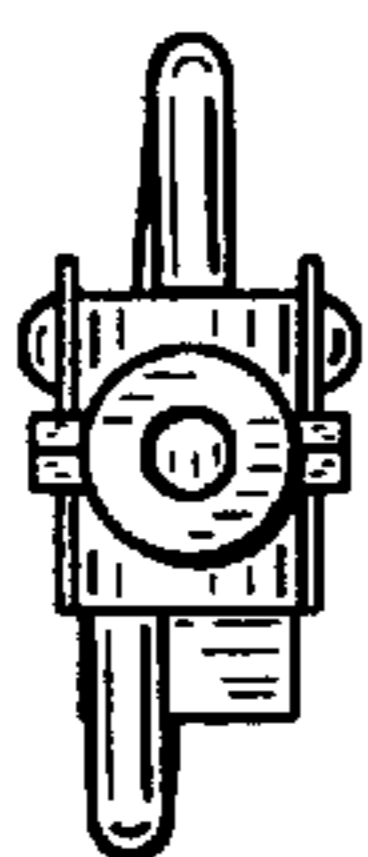


FIG. 4

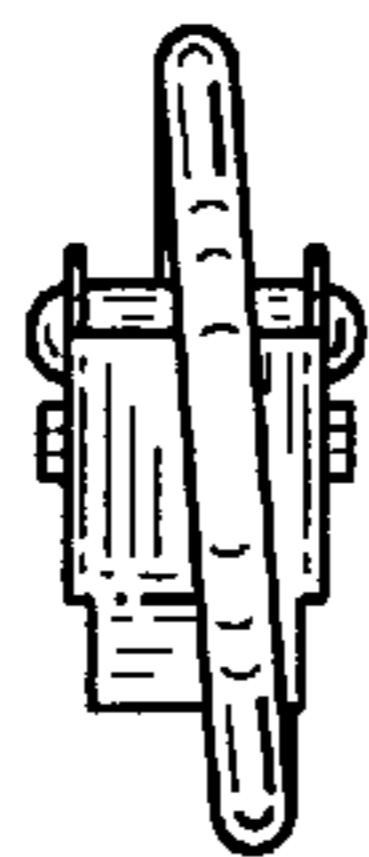


FIG. 5

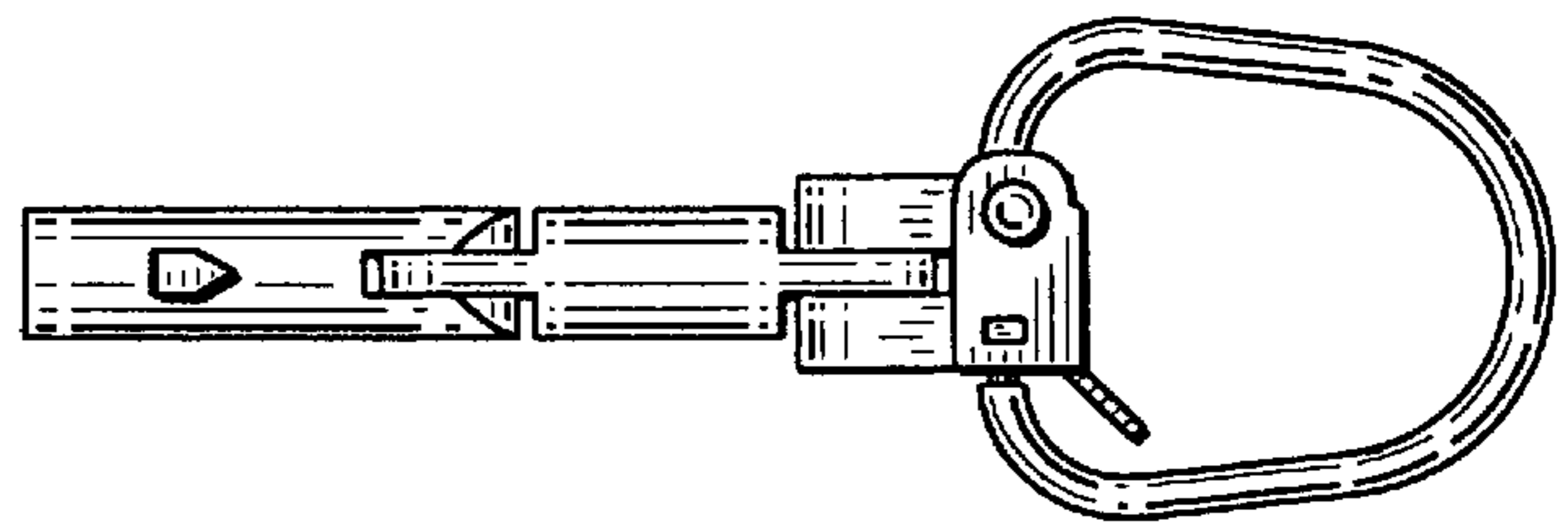


FIG. 6