



US00D448154B1

(12) **United States Design Patent**  
**Mann**

(10) **Patent No.:** **US D448,154 S**  
(45) **Date of Patent:** **\*\* Sep. 25, 2001**

(54) **CASSETTE FOR EAR PIERCING CARTRIDGES**

5,792,170 8/1998 Reil .  
5,868,774 2/1999 Reil .

(75) Inventor: **Samuel J. Mann**, Englewood, NJ (US)

(73) Assignee: **Cookson Group PLC** (GB)

(\*\*) Term: **14 Years**

(21) Appl. No.: **29/121,963**

(22) Filed: **Apr. 18, 2000**

(51) **LOC (7) Cl.** ..... **03-01**

(52) **U.S. Cl.** ..... **D3/203**

(58) **Field of Search** ..... D9/341, 414, 432;  
206/349; 227/67, 73; 606/188, 185; D24/227,  
226, 224, 231; D3/201, 203, 205, 273,  
294, 295

(56) **References Cited**

**U.S. PATENT DOCUMENTS**

- D. 258,705 \* 3/1981 Wheeler ..... D3/295
- D. 281,225 \* 11/1985 Leman ..... D9/341
- D. 313,505 \* 1/1991 Leopoldi et al. .... D3/203
- D. 318,419 \* 7/1991 Jensen et al. .... D9/341
- D. 383,840 \* 9/1997 Grossman ..... D3/203
- D. 398,842 \* 9/1998 Rohrig ..... D3/201
- D. 424,695 \* 5/2000 Reil ..... 606/185
- 4,527,563 7/1985 Reil .

**FOREIGN PATENT DOCUMENTS**

2 135 171 A 8/1984 (GB) .

\* cited by examiner

*Primary Examiner*—Louis S. Zarfes

*Assistant Examiner*—Deanne Levy

(74) *Attorney, Agent, or Firm*—Weingram & Associates, P.C

(57) **CLAIM**

I claim the ornamental design for cassette for ear piercing cartridges, as shown and described.

**DESCRIPTION**

FIG. 1 is a top perspective view of my new design for a cassette for ear piercing cartridges according to the present invention;

FIG. 2 is a front view thereof;

FIG. 3 is a rear view thereof;

FIG. 4 is a right side view thereof, an opposite side view being a mirror image thereof;

FIG. 5 is a top view thereof; and,

FIG. 6 is a bottom view thereof.

**1 Claim, 2 Drawing Sheets**

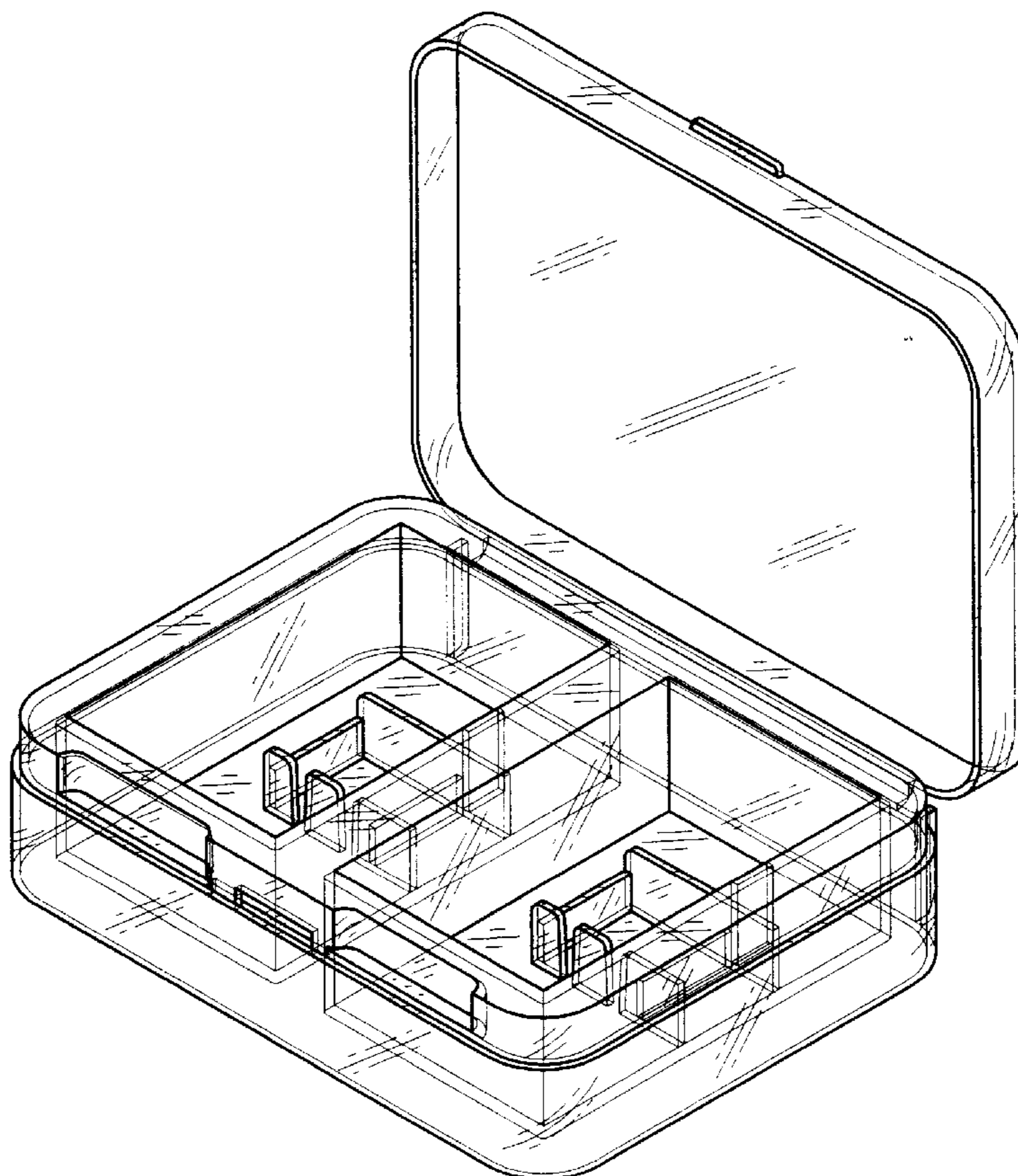


FIG. 1

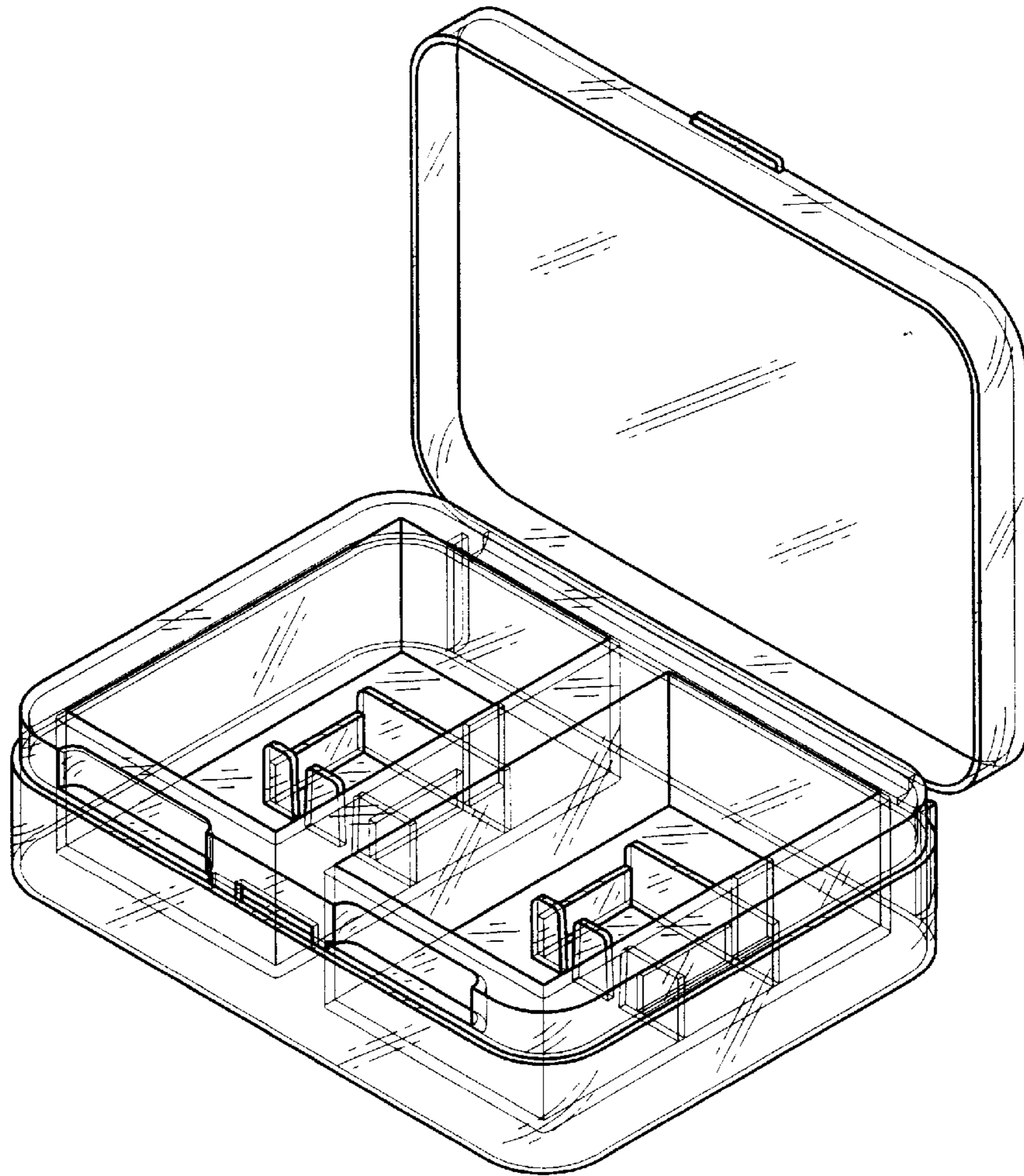


FIG. 2

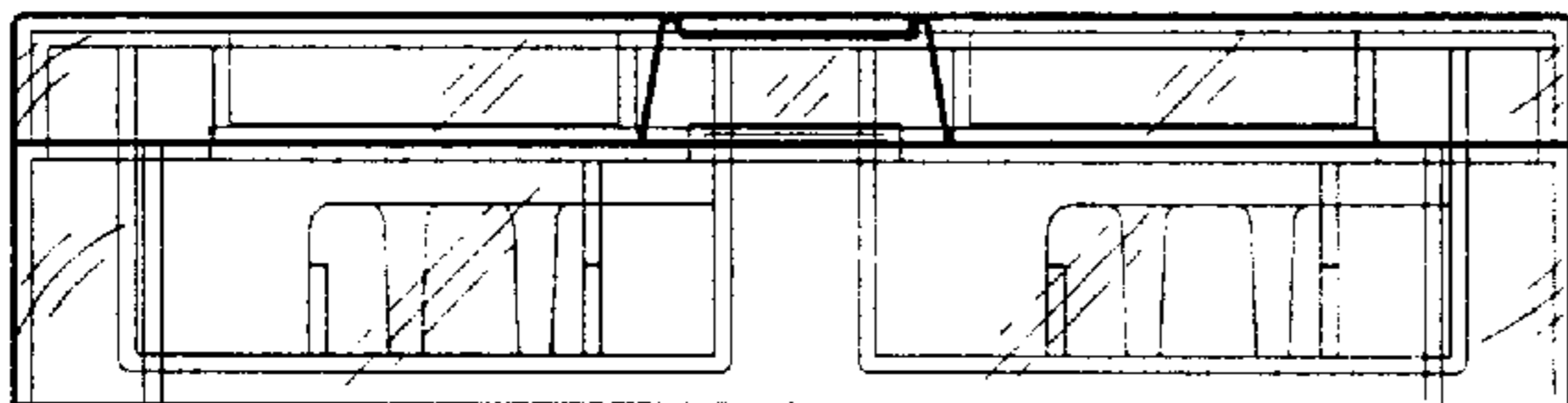


FIG. 3

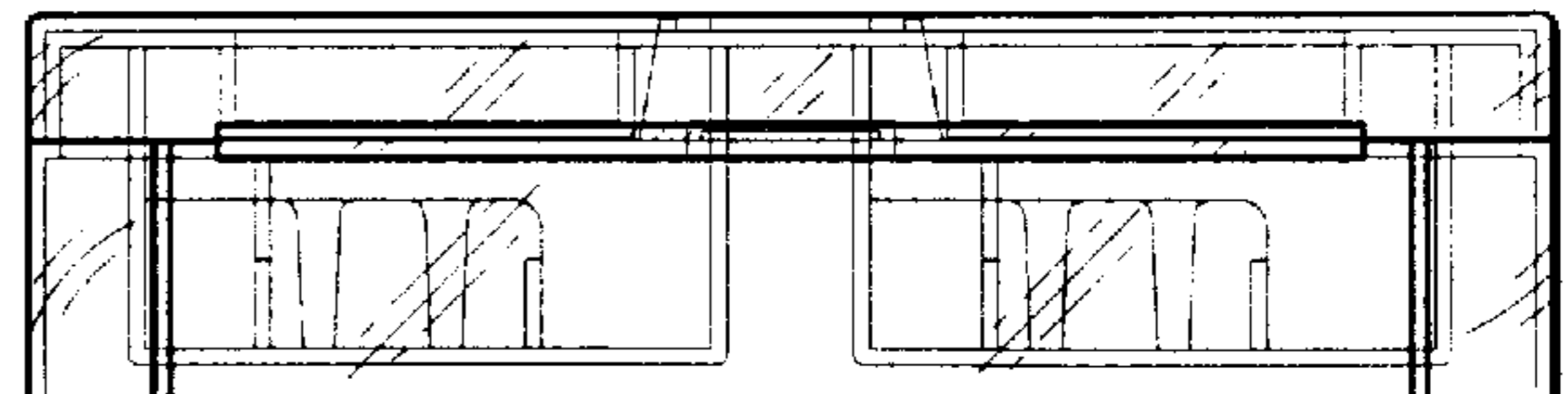


FIG. 4

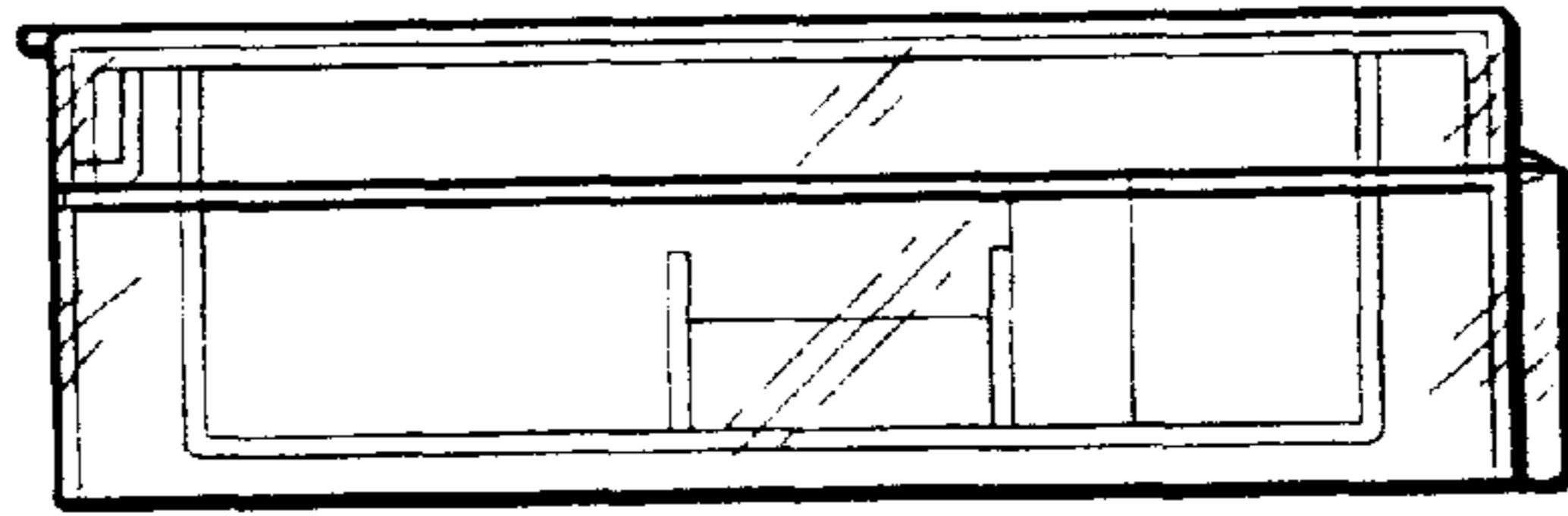


FIG. 5

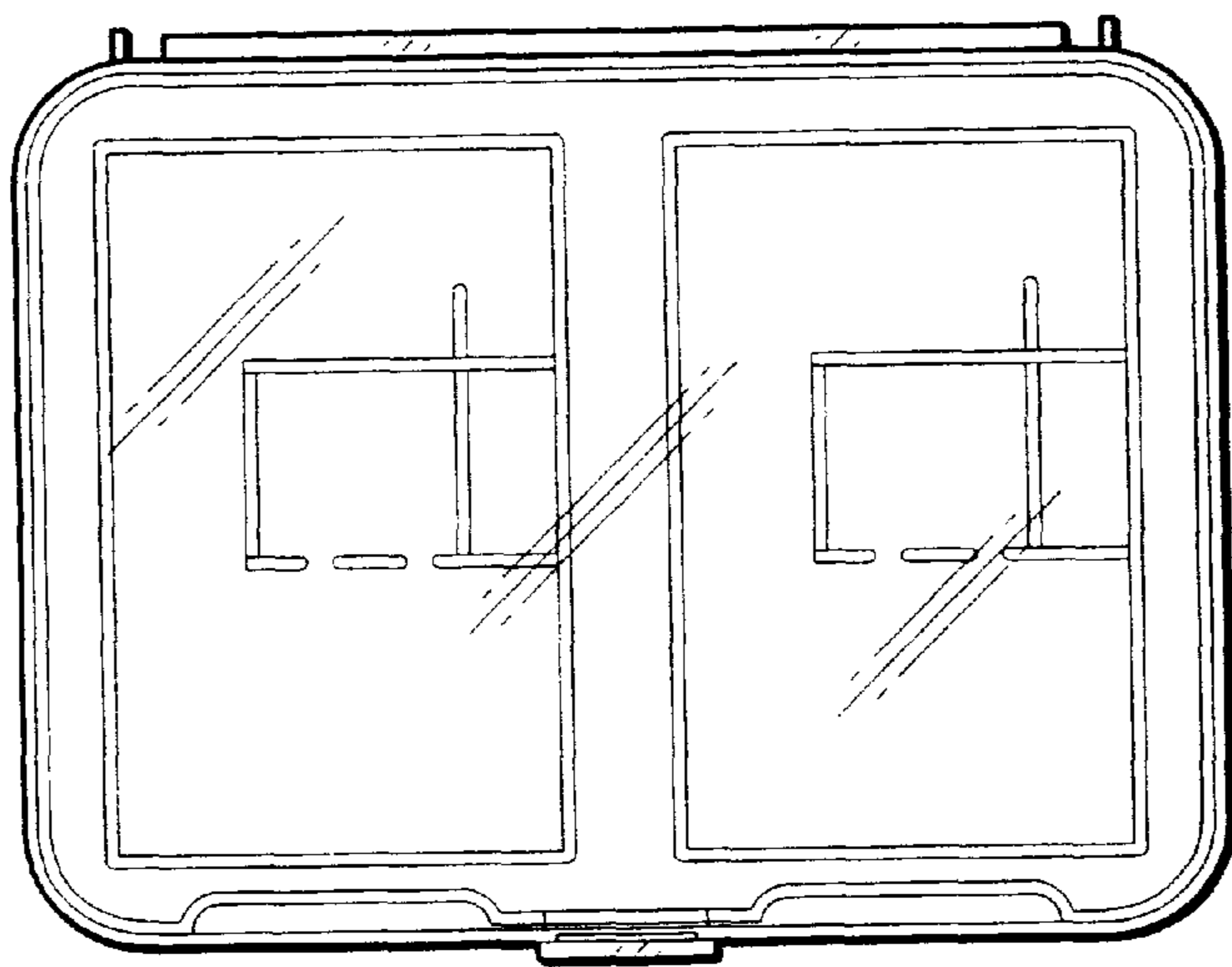


FIG. 6

