



US00D448135B1

(12) **United States Design Patent**
Petro

(10) **Patent No.:** **US D448,135 S**

(45) **Date of Patent:** **** Sep. 18, 2001**

(54) **TRANSPORT CART**

(75) **Inventor:** **Alan Petro**, Chelsea, MI (US)

(73) **Assignee:** **Acuson Corporation**, Mountain View, CA (US)

(**) **Term:** **14 Years**

(21) **Appl. No.:** **29/130,031**

(22) **Filed:** **Sep. 25, 2000**

(51) **LOC (7) Cl.** **12-02**

(52) **U.S. Cl.** **D34/21; D34/17**

(58) **Field of Search** **D34/12-27; 280/47.34, 280/47.35, 47.37, 79.11, 79.2, 79.3, 33.991, 33.998; 211/178, 187, 188; D6/422**

(56) **References Cited**

U.S. PATENT DOCUMENTS

| | | | |
|-------------|--------|---------------|-----------|
| 1,966,751 | 7/1934 | Brefeld . | |
| 2,827,302 | 3/1958 | Skyrud . | |
| 3,689,098 | 9/1972 | Rubin . | |
| 3,971,568 | 7/1976 | Wright . | |
| 4,986,555 | 1/1991 | Andreen . | |
| 4,998,023 * | 3/1991 | Kitts | 280/47.35 |
| 5,427,394 | 6/1995 | Lauto . | |
| 5,718,441 | 2/1998 | Kern et al. . | |

| | | | |
|-------------|---------|----------------------|-----------|
| 5,845,794 * | 12/1998 | Highsmith | 211/189 |
| 5,887,878 * | 3/1999 | Tisbo et al. | 280/47.19 |
| 5,906,384 | 5/1999 | Nelson . | |
| 5,913,528 | 6/1999 | Kresse et al. . | |
| 6,073,942 | 6/2000 | Heneveld et al. . | |
| 6,129,366 * | 10/2000 | Dettmann et al. | 280/47.35 |
| 6,213,481 * | 4/2001 | Marchese et al. | 280/35 |

* cited by examiner

Primary Examiner—Kay H. Chin

(74) *Attorney, Agent, or Firm*—Brinks Hofer Gilson & Lione

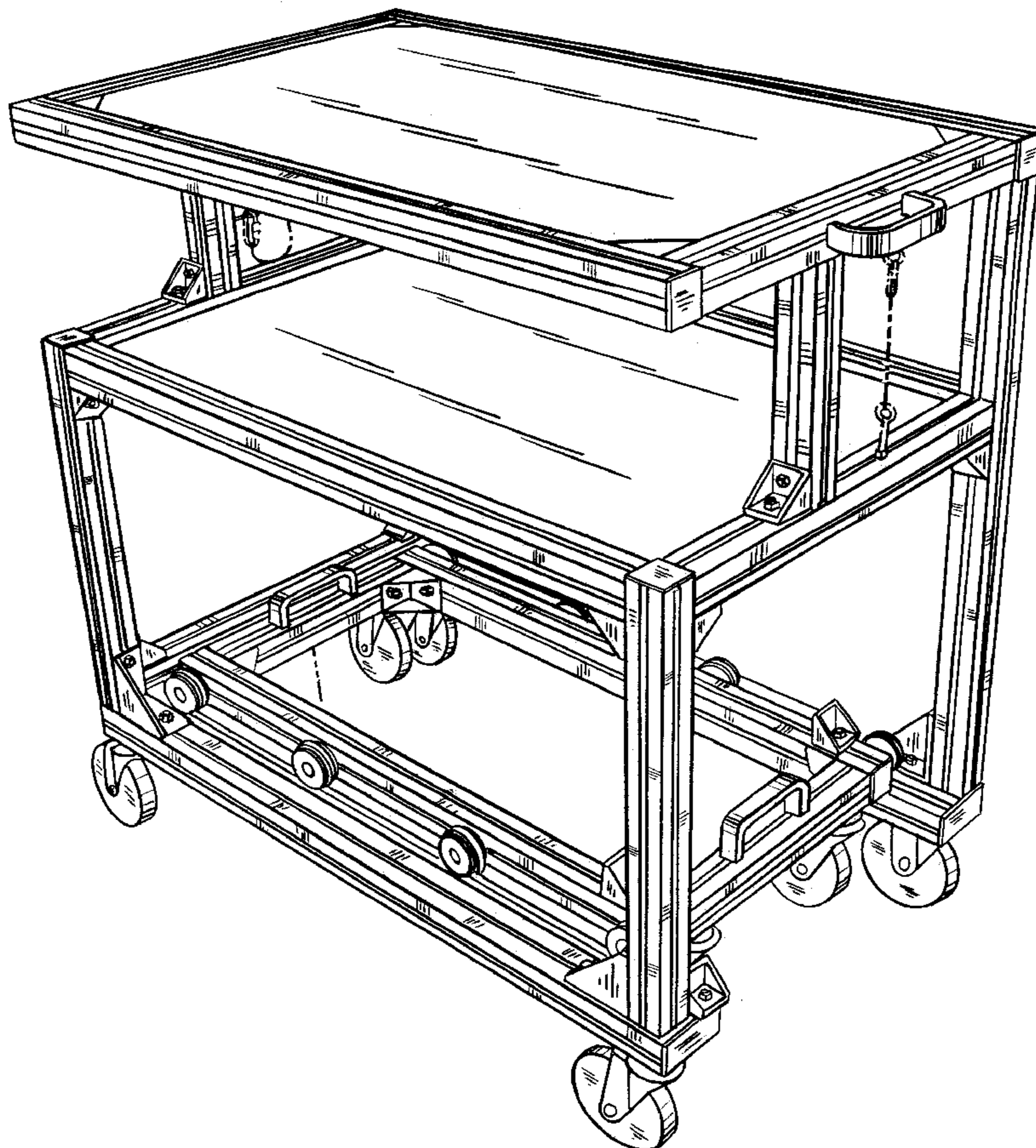
(57) **CLAIM**

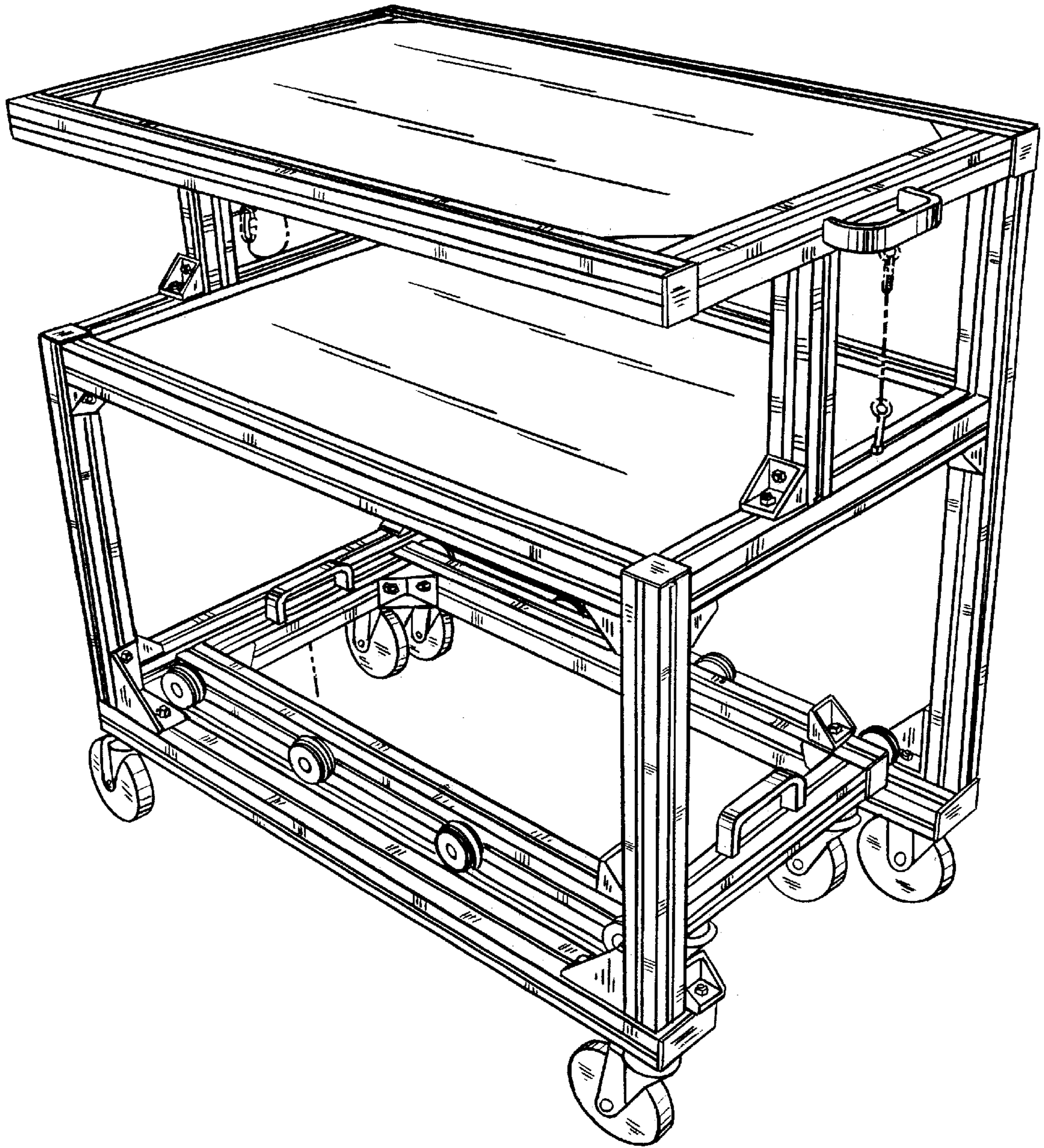
The ornamental design for a transport cart, as shown and described.

DESCRIPTION

FIG. 1 is a front right perspective view of a transport cart showing my new design, the broken lines are for illustrative purposes only and form no part of the claimed design; FIG. 2 is a front view thereof. FIG. 3 is a rear view thereof. FIG. 4 is a left-side view thereof. FIG. 5 is a right-side view thereof. FIG. 6 is a top view thereof; and, FIG. 7 is a bottom view thereof.

1 Claim, 7 Drawing Sheets





—FIG. 1

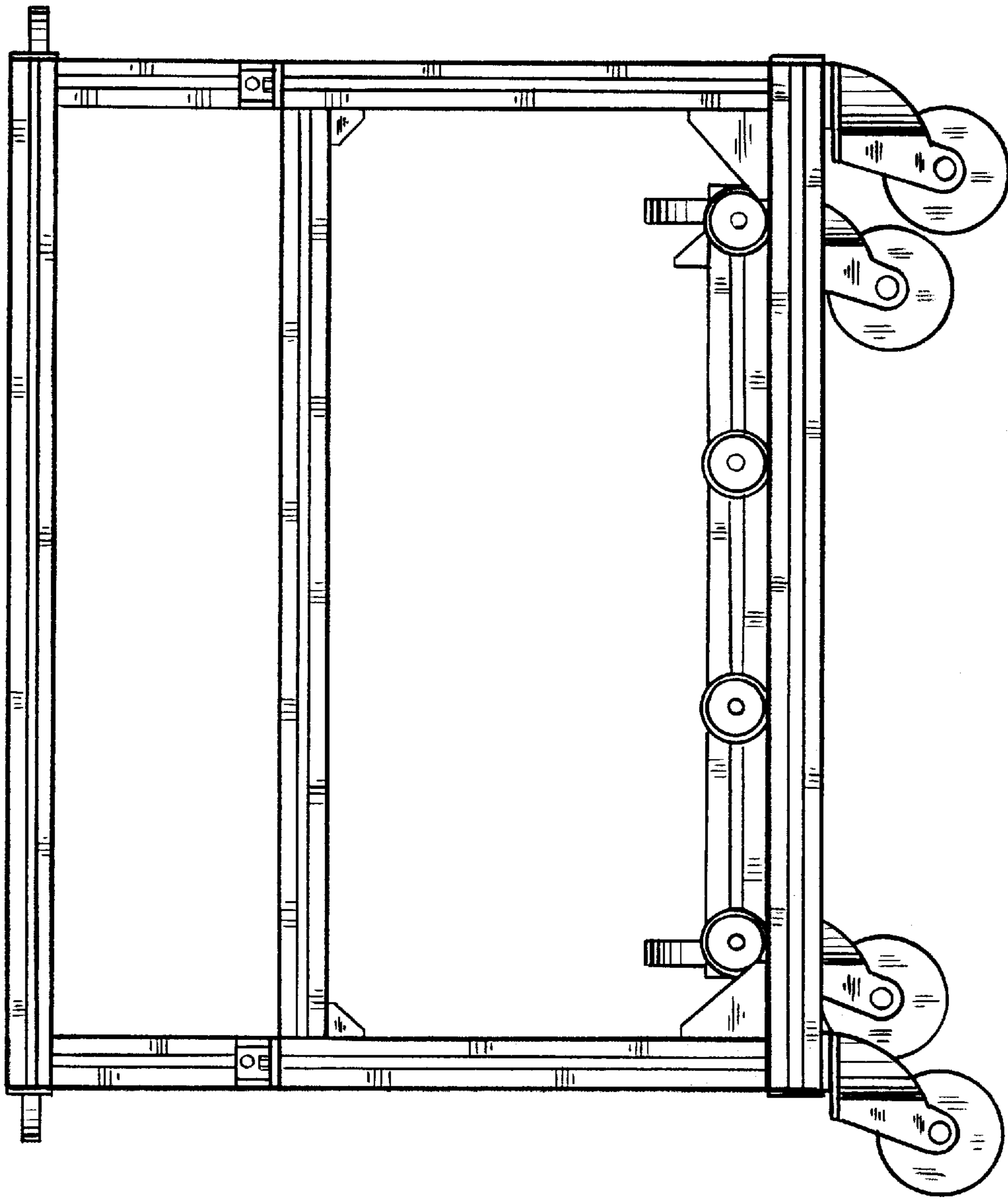


FIG. 2

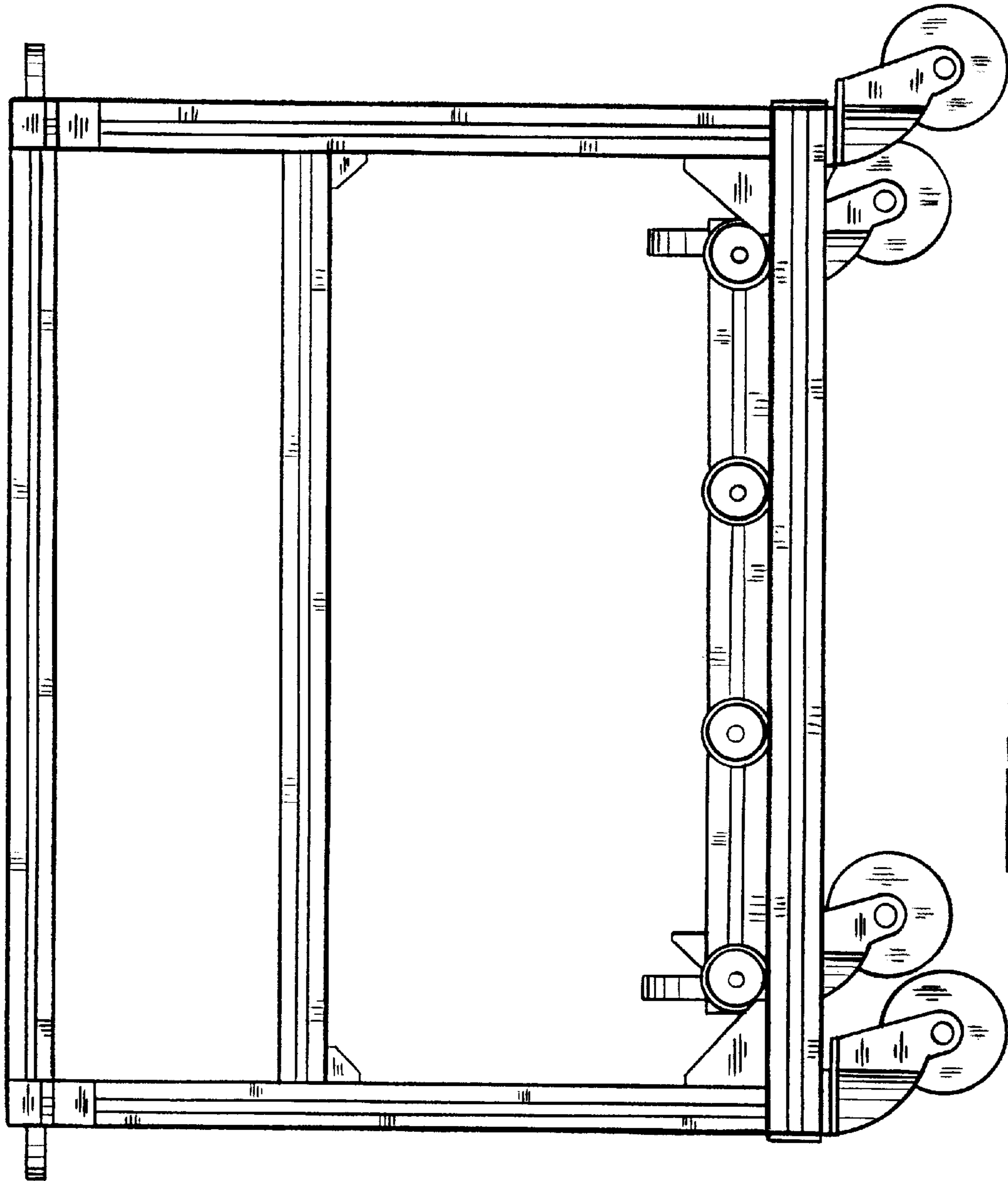


FIG. 3

FIG. 4

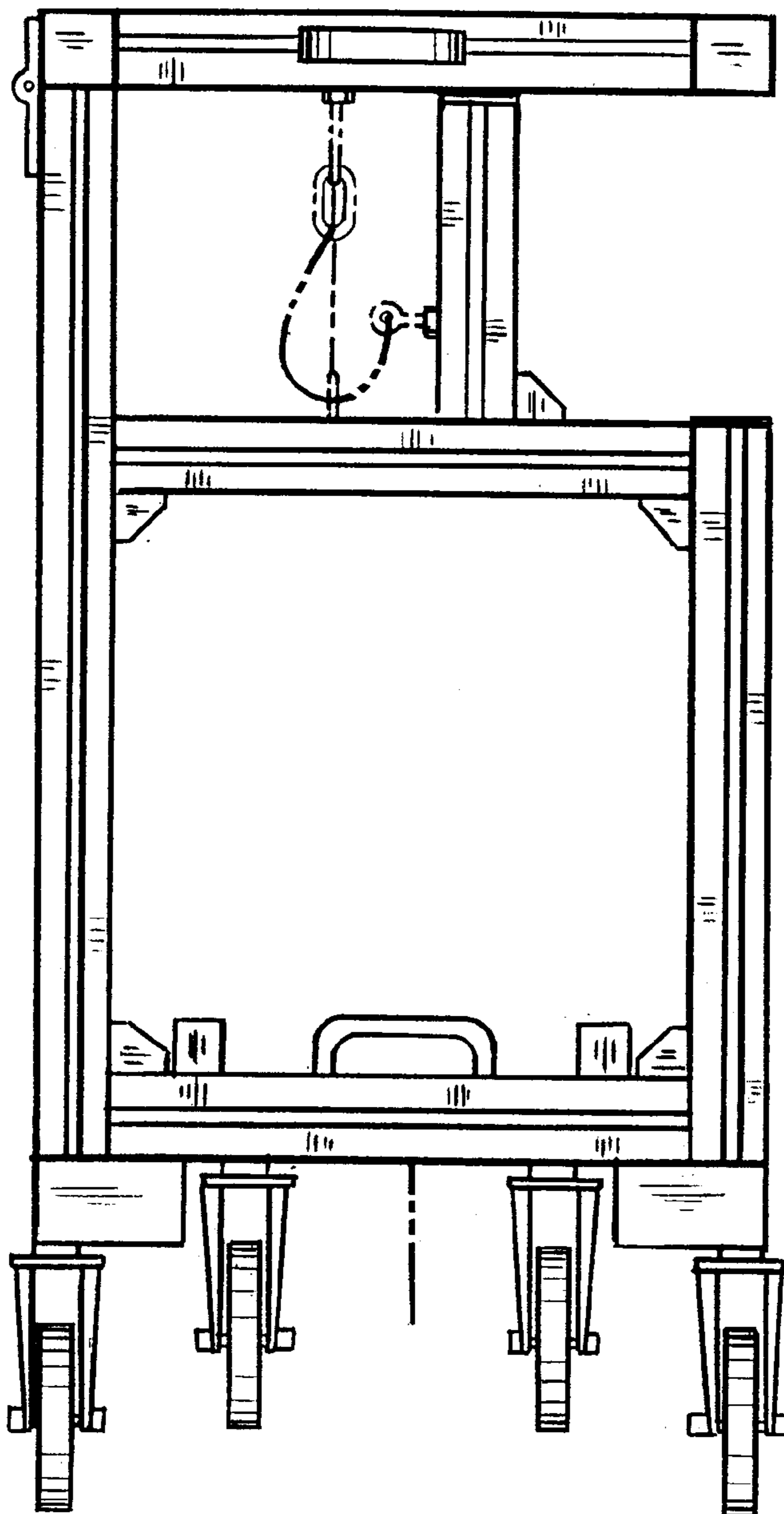


FIG. 5

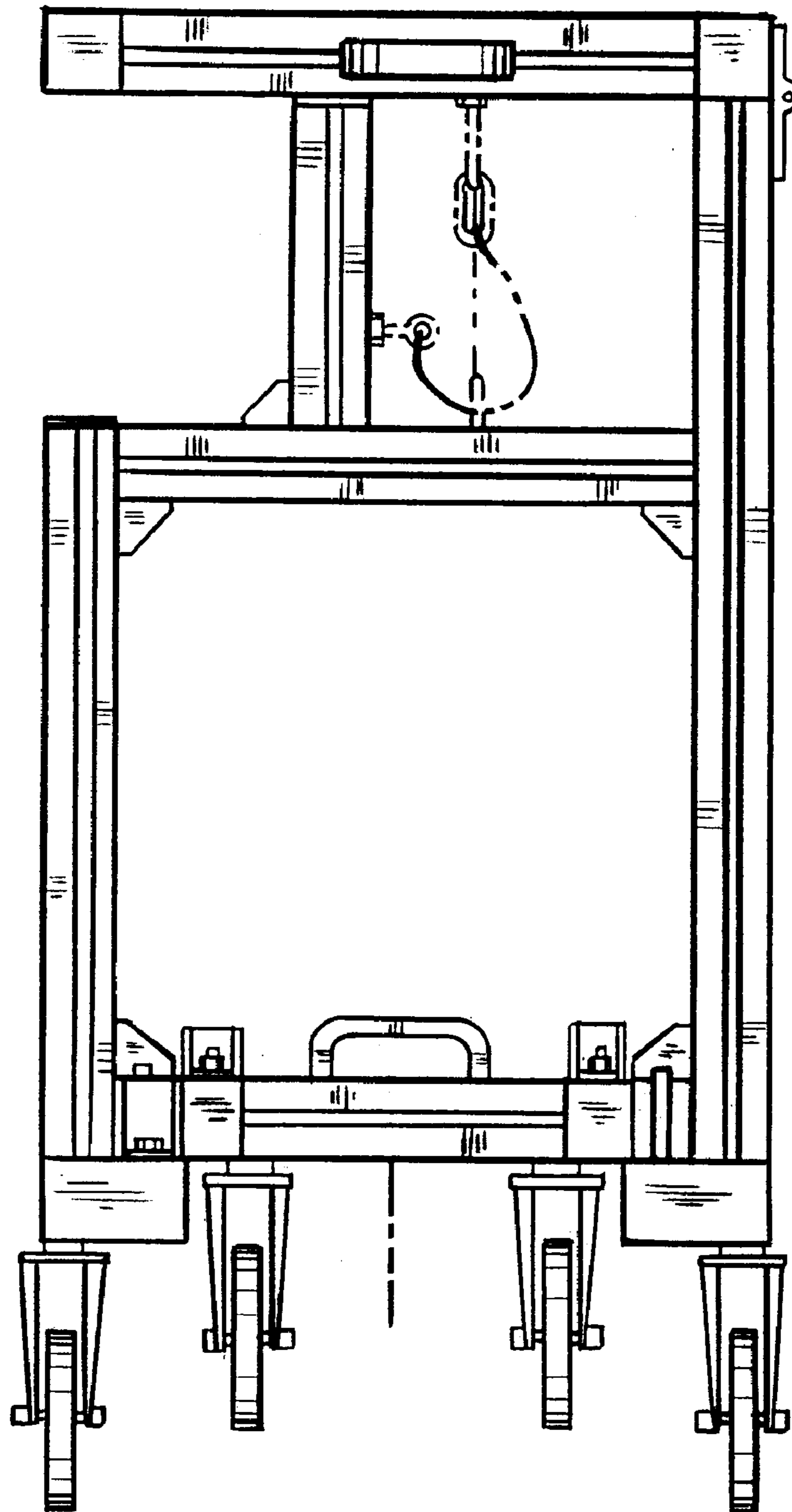
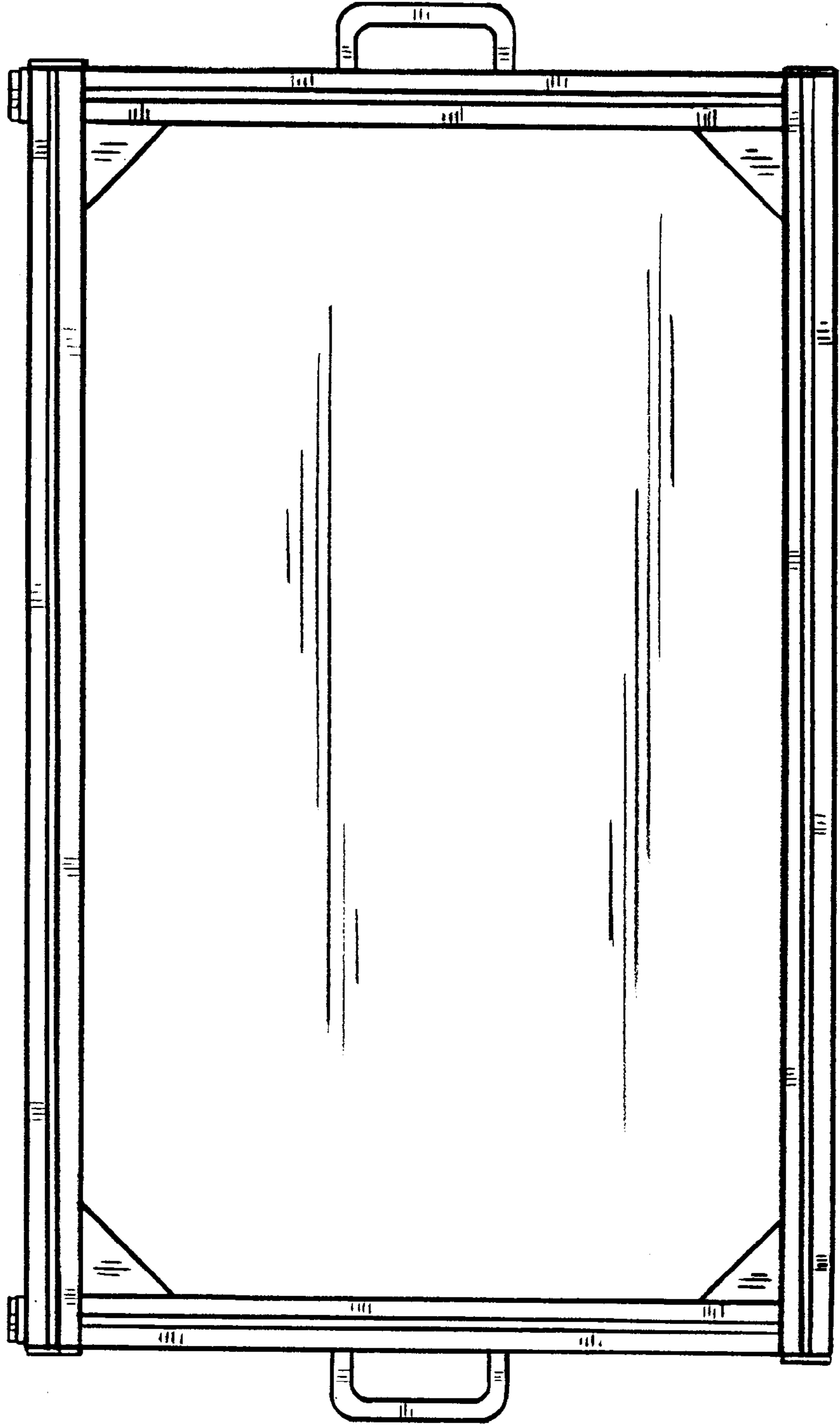


FIG. 6



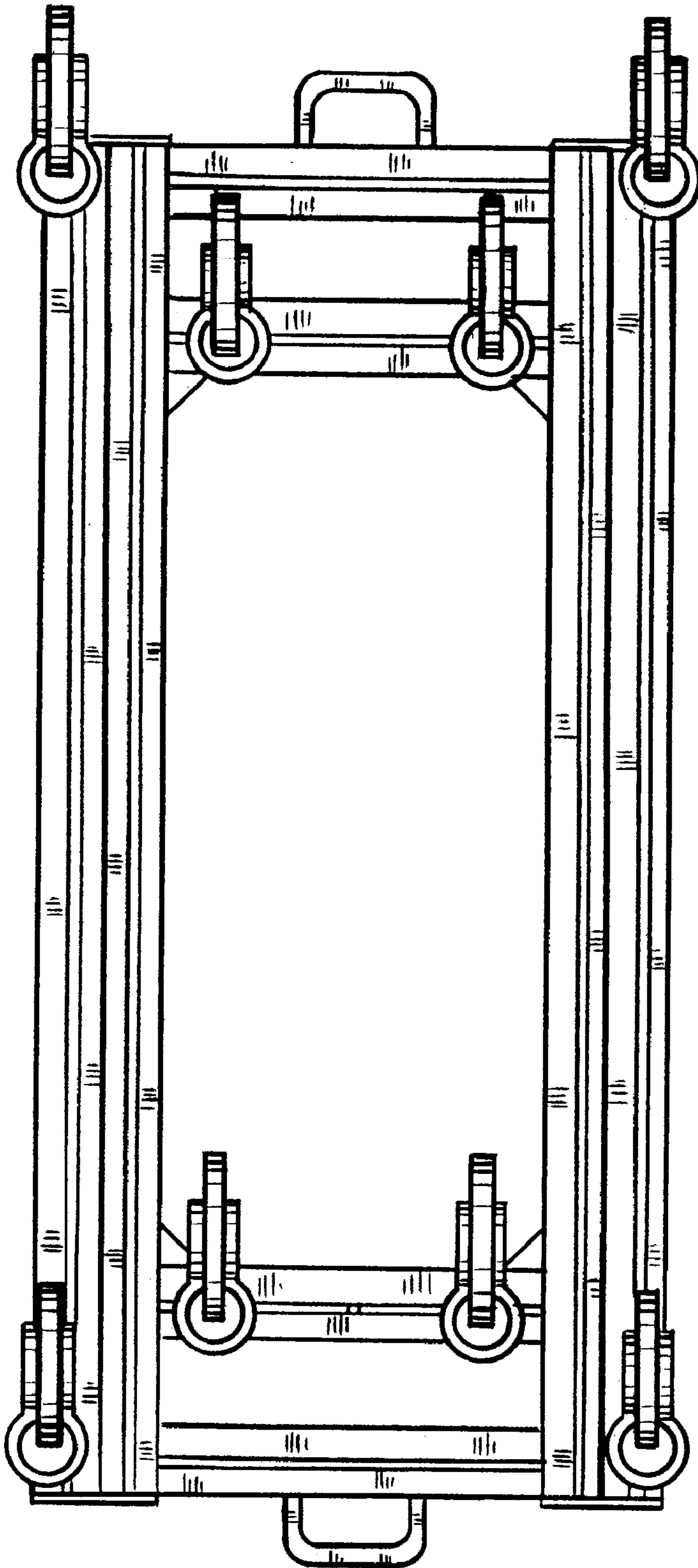


FIG. 7