



US00D448134B1

(12) **United States Design Patent**
Tesch

(10) **Patent No.:** **US D448,134 S**

(45) **Date of Patent:** **** Sep. 18, 2001**

(54) **VENDING CART**

(76) **Inventor:** **G. Gerry Tesch**, 3216 Cowley Way #3,
San Diego, CA (US) 92117

(**) **Term:** **14 Years**

(21) **Appl. No.:** **29/119,206**

(22) **Filed:** **Feb. 24, 2000**

(51) **LOC (7) Cl.** **12-02**

(52) **U.S. Cl.** **D34/14; D34/13**

(58) **Field of Search** **D34/12-27; D6/474;**
280/47.35, 47.34, 79.11, 79.3

(56) **References Cited**

U.S. PATENT DOCUMENTS

- D. 264,214 * 5/1982 Bowen et al. D34/14
- D. 294,534 * 3/1988 Hawthorn et al. D34/25
- D. 371,660 * 7/1996 Wilson D34/14
- D. 398,432 * 9/1998 Yerkes D34/20

D. 406,903 * 3/1999 Horton D25/16

* cited by examiner

Primary Examiner—Kay H. Chin

(74) *Attorney, Agent, or Firm*—Donn K. Harms

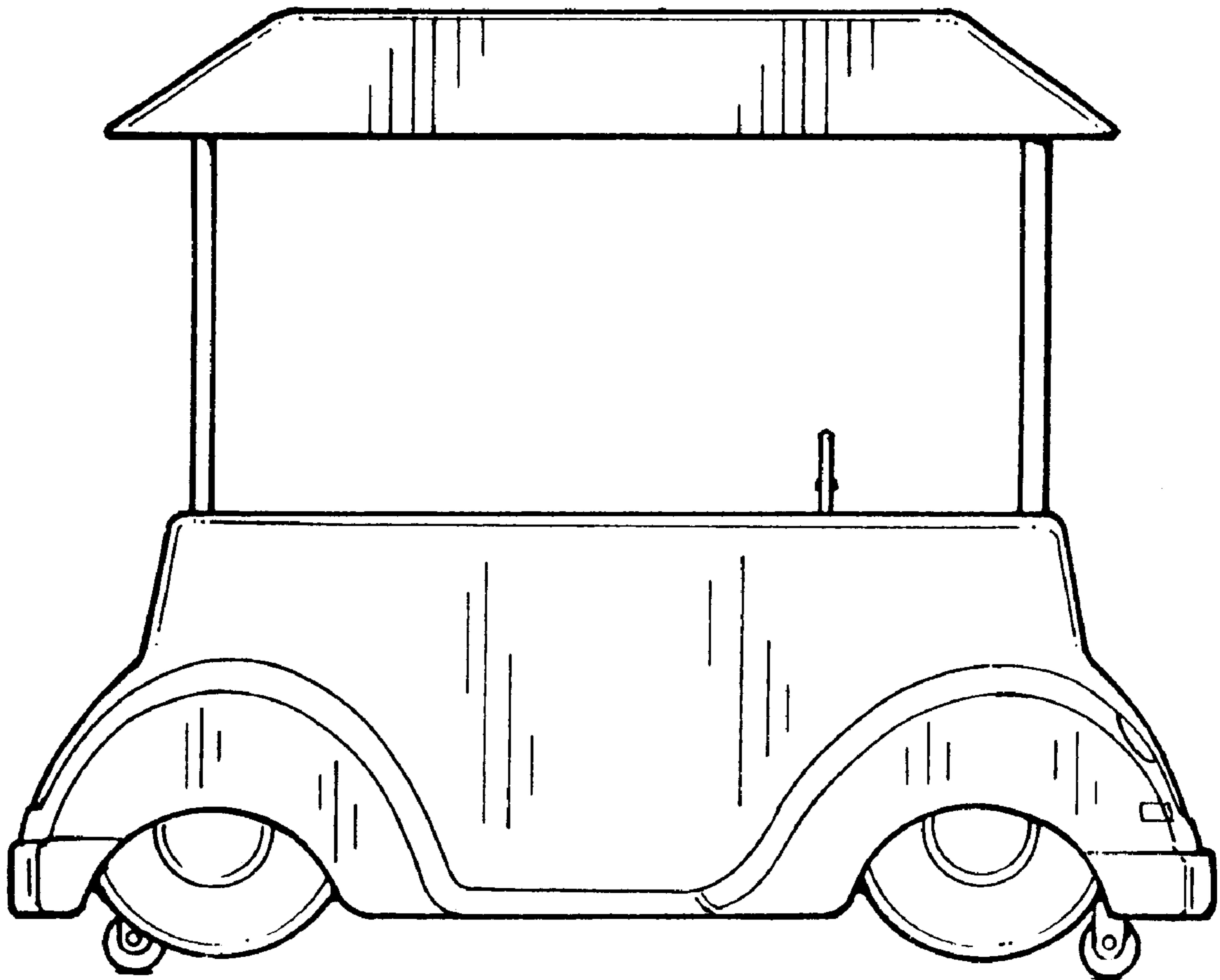
(57) **CLAIM**

The ornamental design for a vending cart, as shown and described.

DESCRIPTION

FIG. 1 is a front elevation view of the vending cart of the invention;
 FIG. 2 is a back elevation of the vending cart of FIG. 1;
 FIG. 3 is a top view of FIG. 1;
 FIG. 4 is a top view of FIG. 1 with the canopy removed;
 FIG. 5 is a bottom view of the vending cart of FIG. 1;
 FIG. 6 is a front view of the vending cart of FIG. 1; and,
 FIG. 7 is a rear view of the vending cart of FIG. 1.

1 Claim, 2 Drawing Sheets



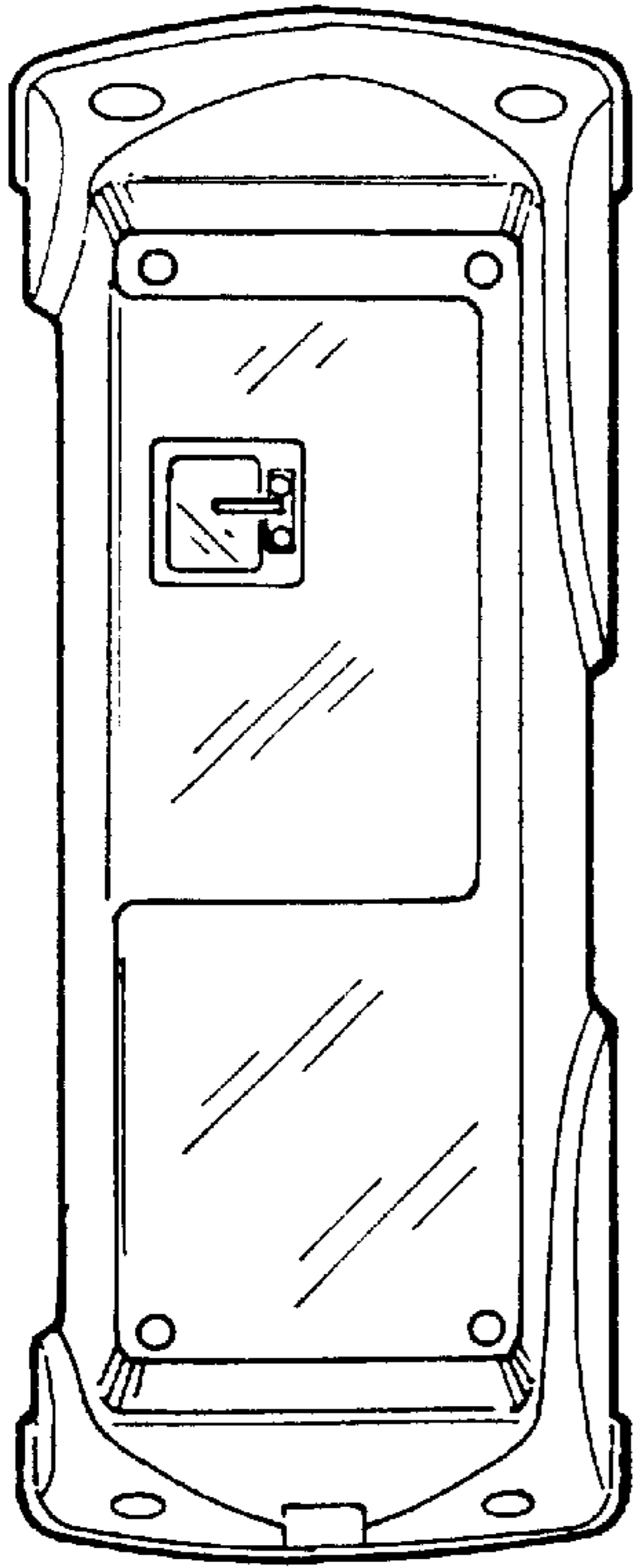


FIGURE 4

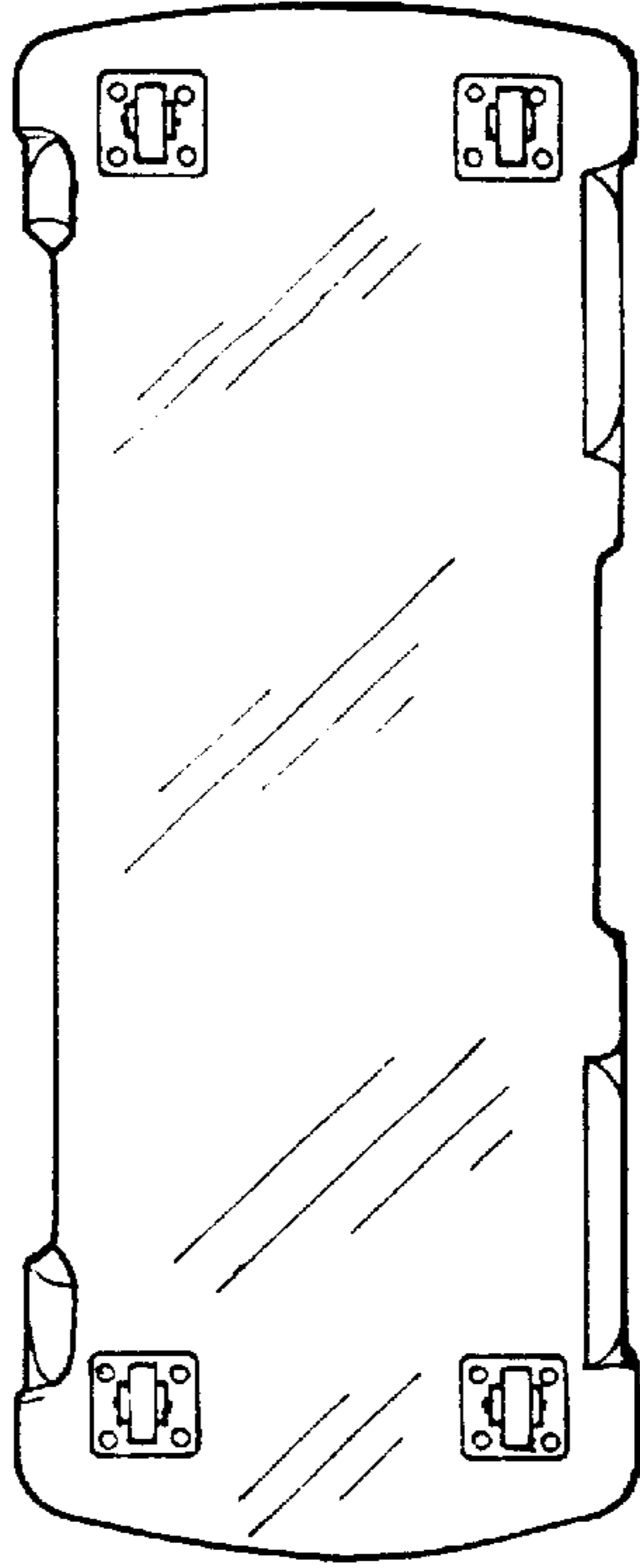


FIGURE 5

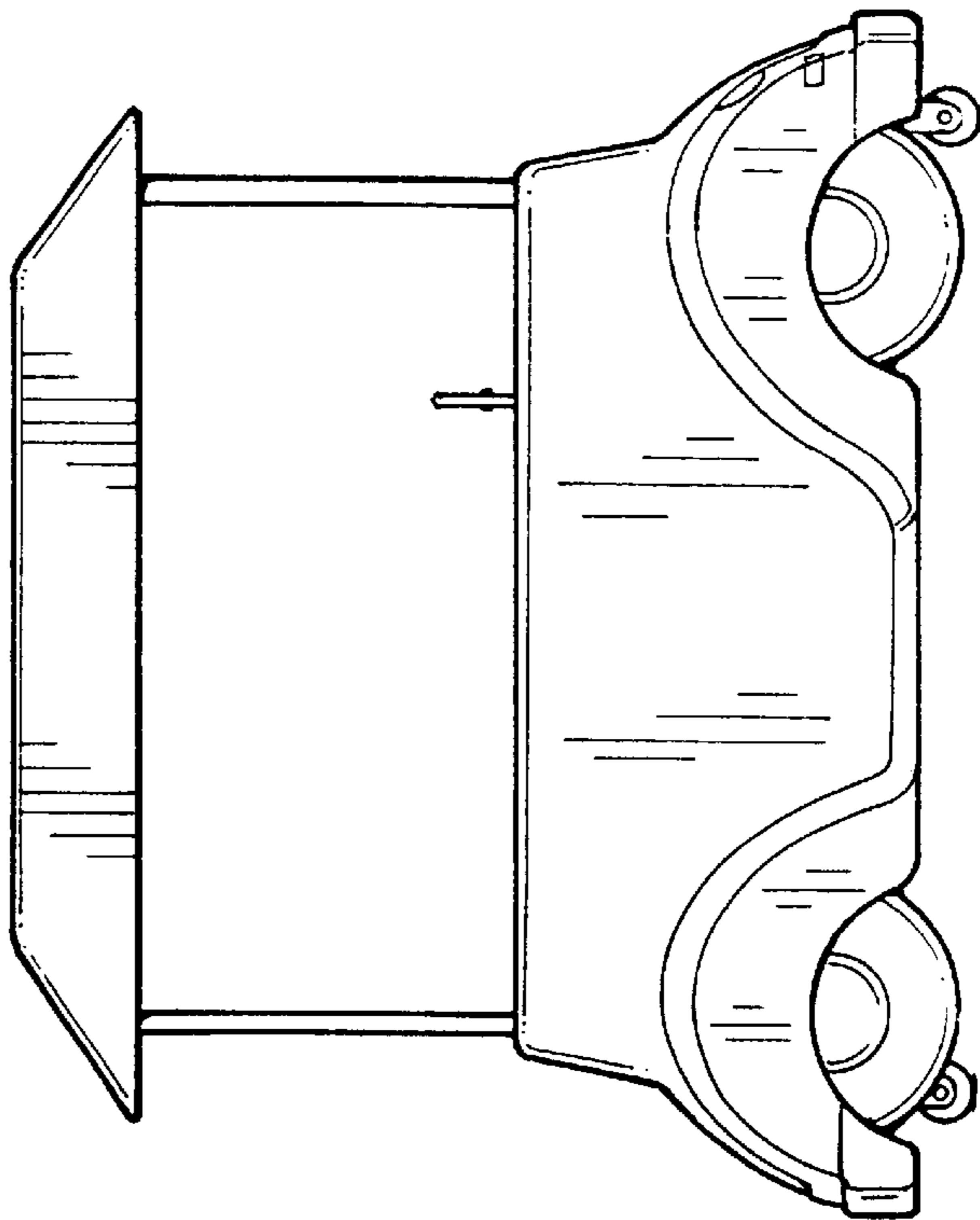


FIGURE 1

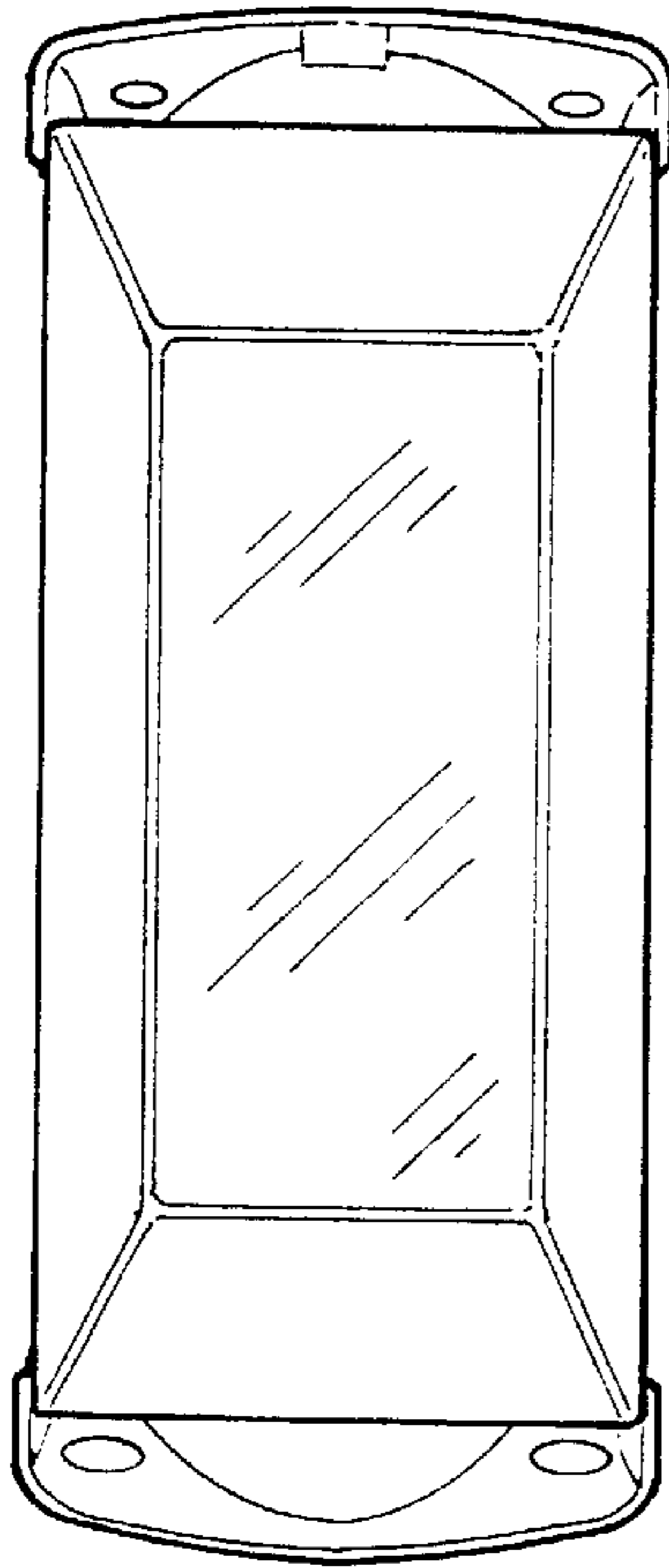


FIGURE 3

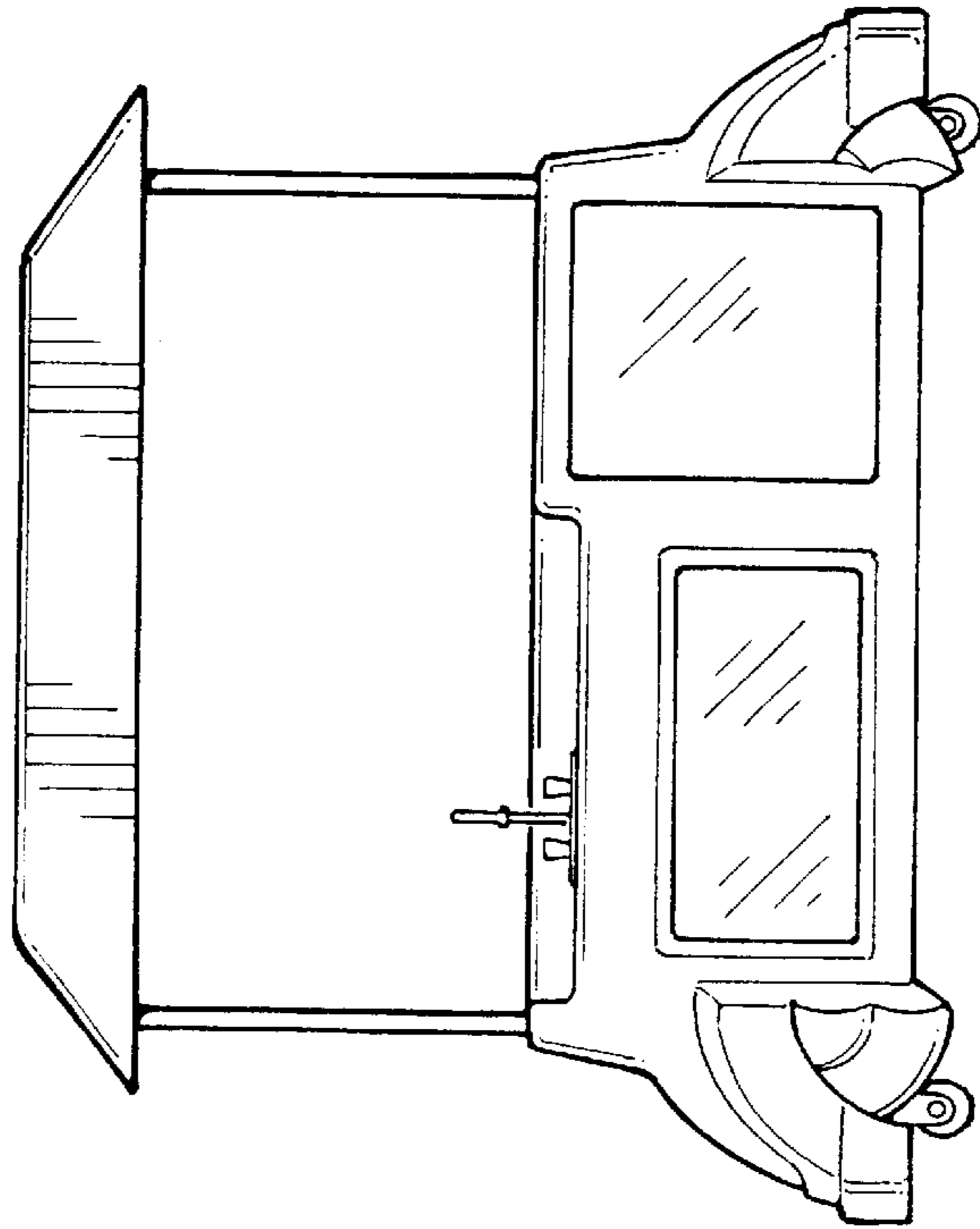


FIGURE 2

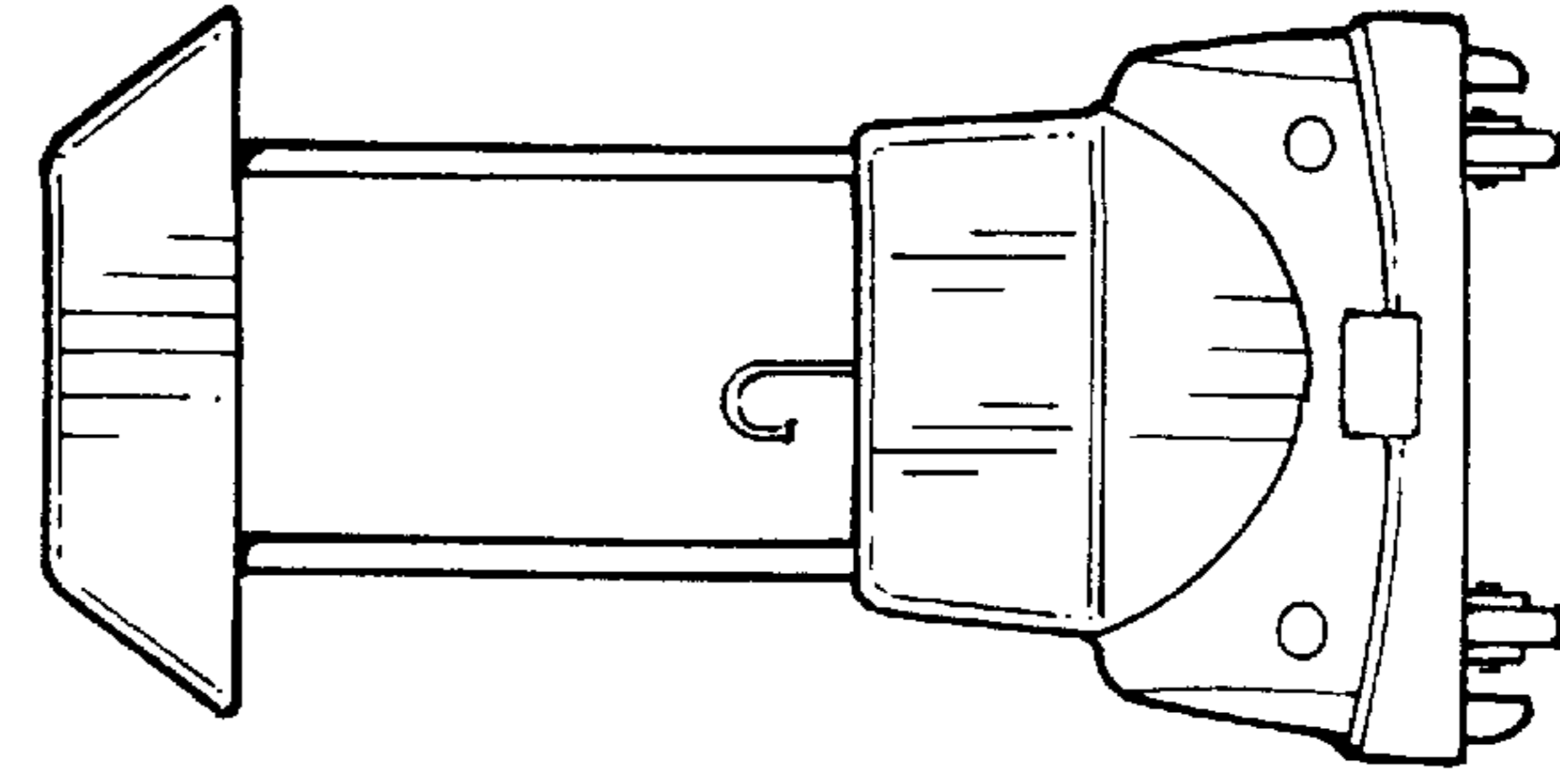


FIGURE 7

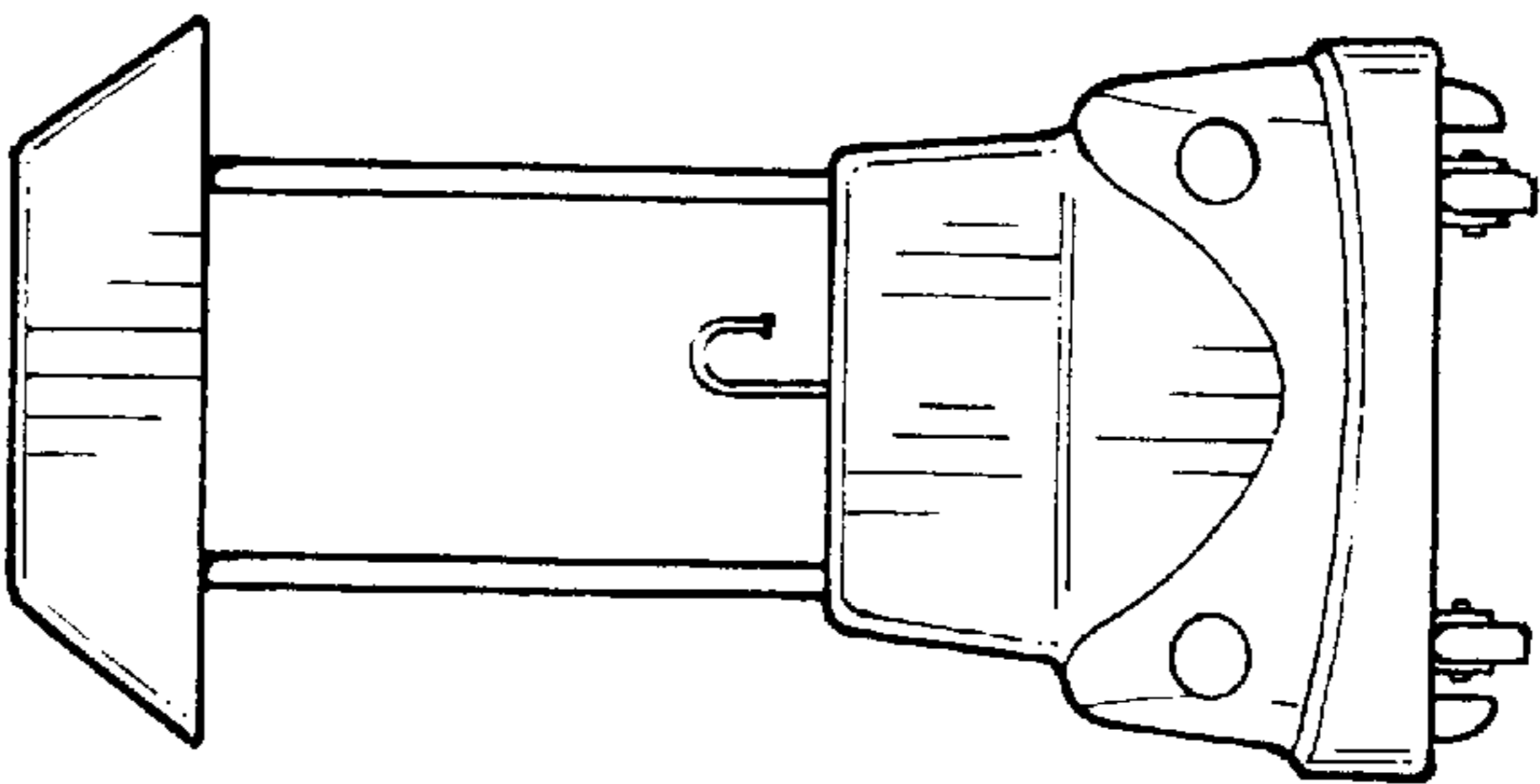


FIGURE 6