



US00D448131B1

(12) **United States Design Patent**
Ver Haar

(10) **Patent No.:** **US D448,131 S**

(45) **Date of Patent:** **** Sep. 18, 2001**

(54) **PORTABLE HAND GRIP**

5,088,618 * 2/1992 Colombo 220/755

(76) Inventor: **John Thomas Ver Haar**, 14692 Van
Buren St., Midway City, CA (US)
92655

(**) Term: **14 Years**

(21) Appl. No.: **29/132,109**

(22) Filed: **Nov. 1, 2000**

(51) **LOC (7) Cl.** **07-07**

(52) **U.S. Cl.** **D32/54**

(58) **Field of Search** D32/53, 53.1,
D32/54; 220/773, 755, 904

(56) **References Cited**

U.S. PATENT DOCUMENTS

1,678,005	*	7/1928	Hallerman	220/755
1,781,583	*	11/1930	Hodgson	220/755
2,654,115	*	10/1953	Kafer	220/755
2,793,670	*	5/1957	Schmidt	220/755
3,184,101	*	5/1965	Pentesco	220/755
4,244,469	*	1/1981	Miner	220/904

OTHER PUBLICATIONS

Label for Bucket Boss "Bucket Grip". (no date avail).

* cited by examiner

Primary Examiner—Robin V. Taylor

(74) *Attorney, Agent, or Firm*—Eric Karich

(57) **CLAIM**

The ornamental design for a portable hand grip, as shown and described.

DESCRIPTION

FIG. 1 is a perspective view of a portable hand grip, showing my new design;

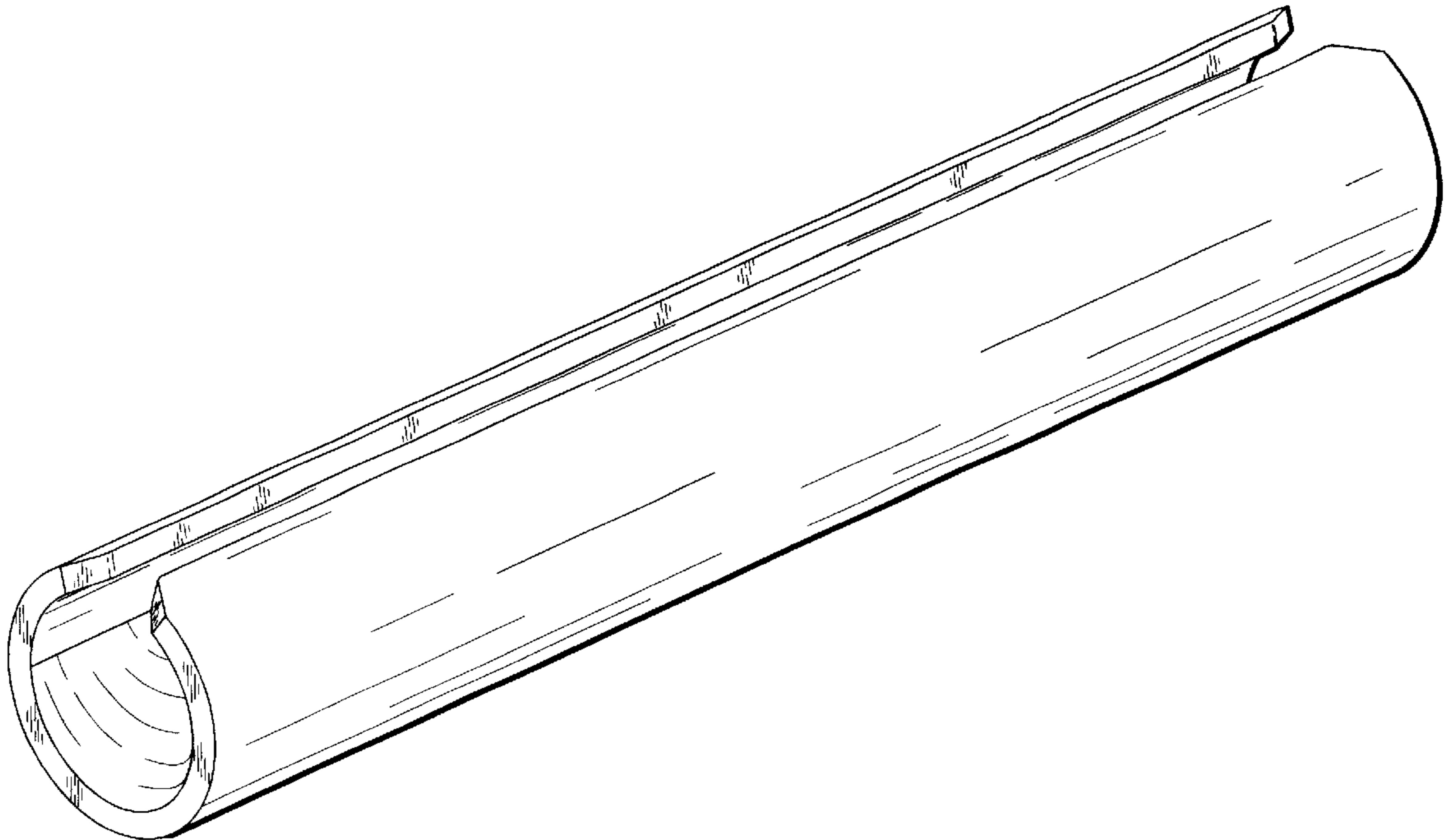
FIG. 2 is a front elevational view thereof, the rear elevational being a mirror view thereof;

FIG. 3 is a top plan view thereof;

FIG. 4 is a bottom plan view thereof; and,

FIG. 5 is a left side view thereof, the right side elevation view being a mirror image thereof.

1 Claim, 2 Drawing Sheets



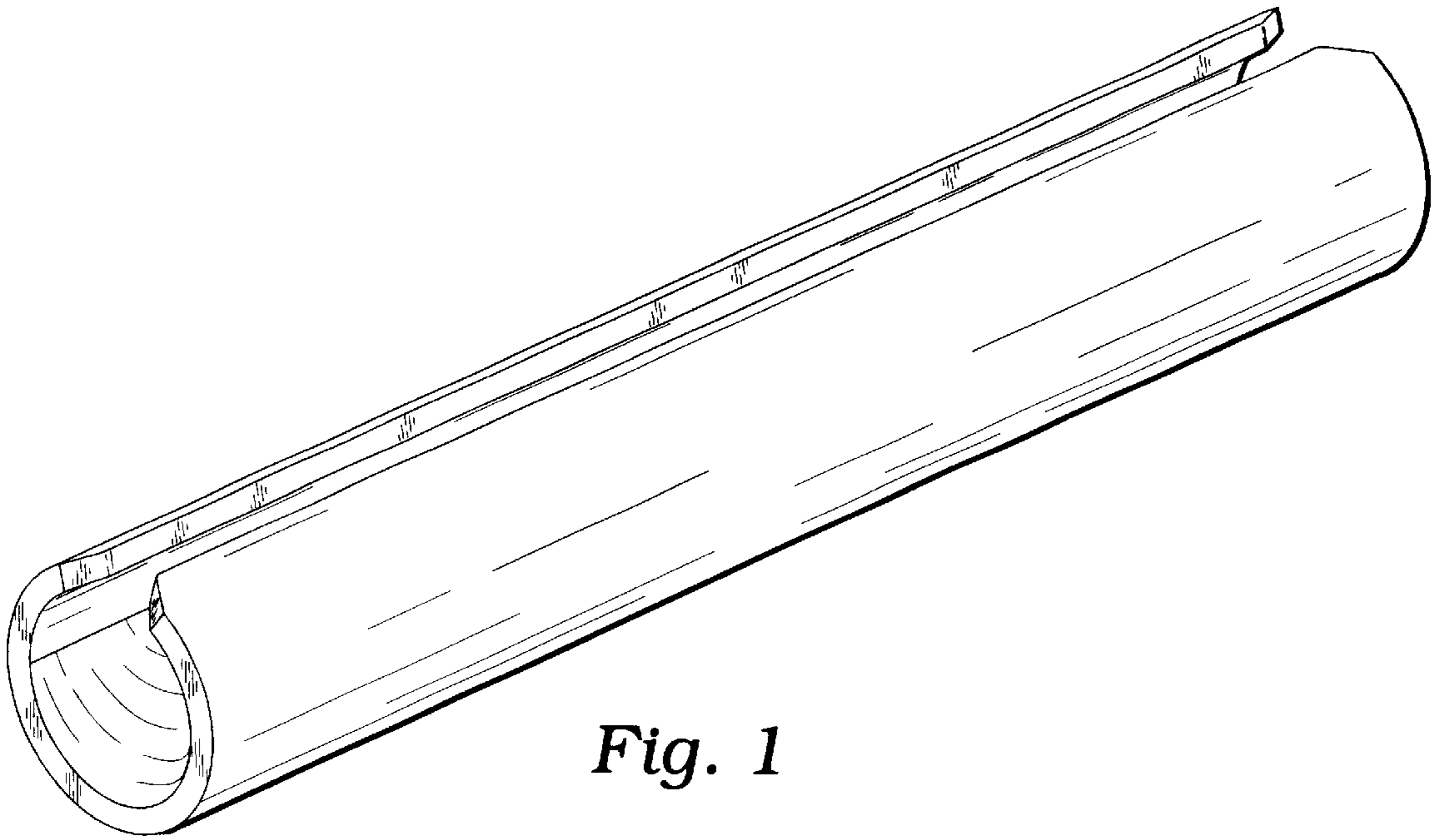


Fig. 1

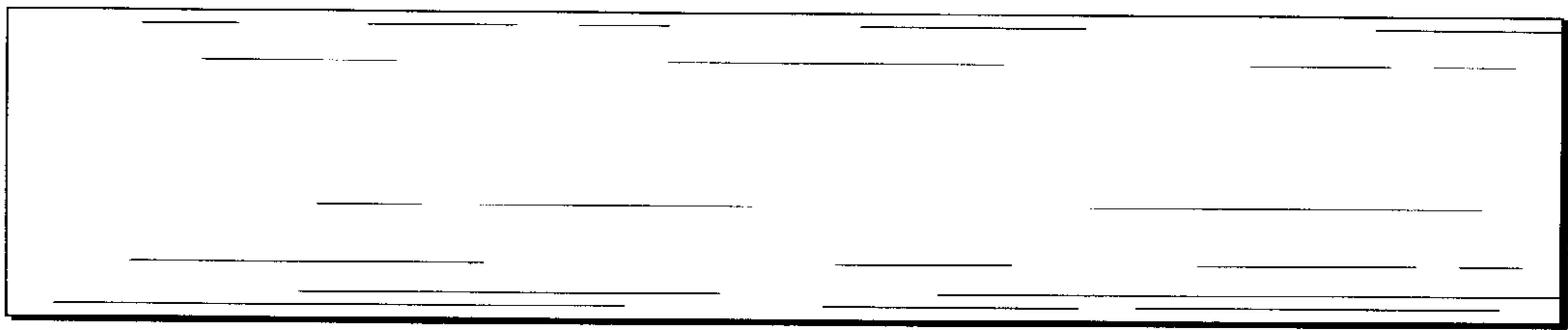


Fig. 2

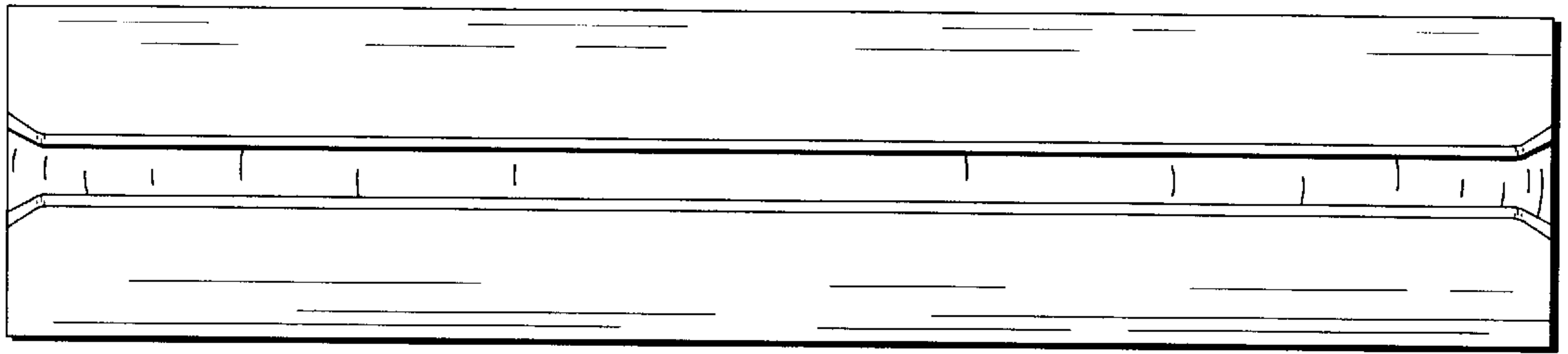


Fig. 3

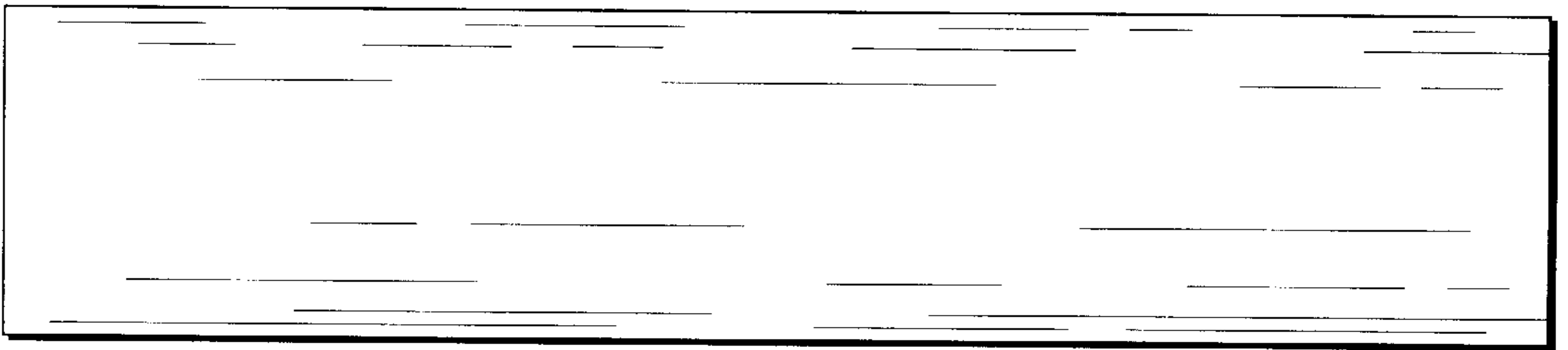


Fig. 4

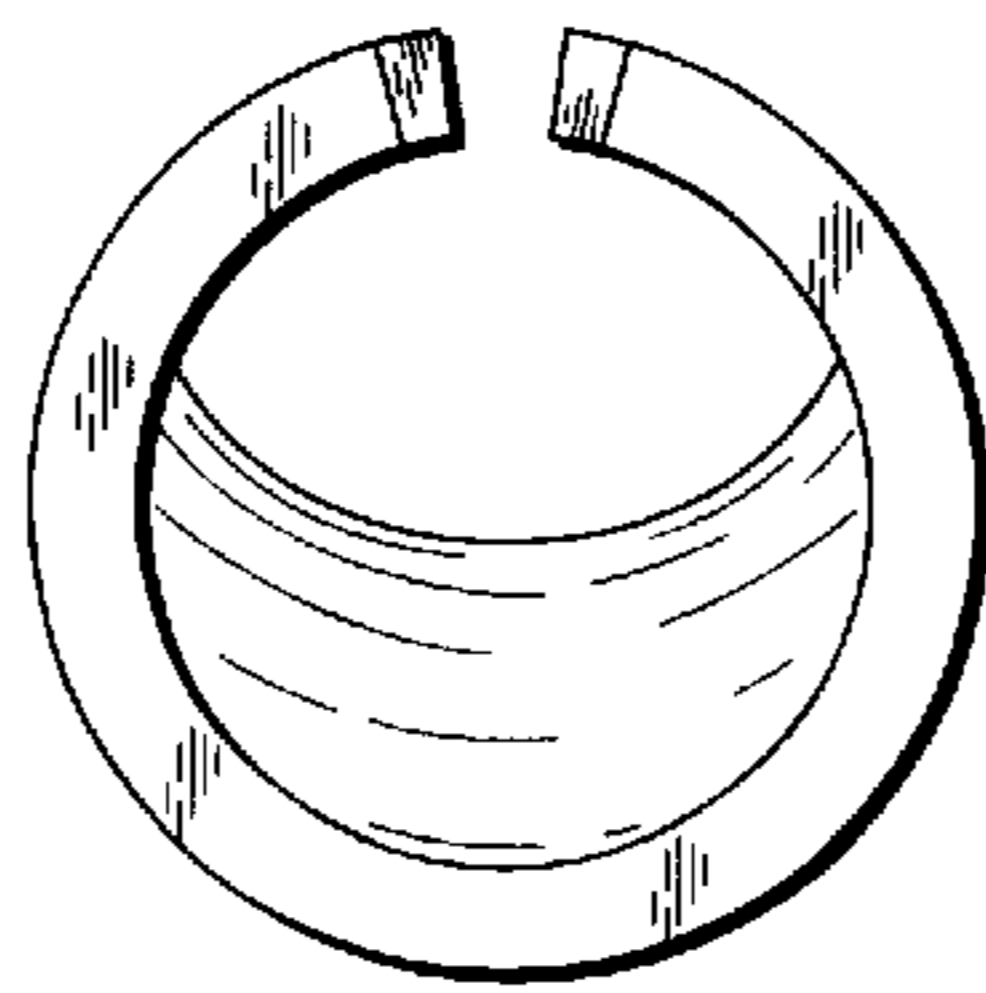


Fig. 5