



US00D448130B1

(12) **United States Design Patent**  
**Wagner**

(10) **Patent No.:** **US D448,130 S**

(45) **Date of Patent:** **\*\* Sep. 18, 2001**

(54) **TOUCH-UP PAINT TRAY**

(76) **Inventor:** **Curtis D. Wagner**, P.O. Box 840885,  
Houston, TX (US) 77284-0885

(\*\*) **Term:** **14 Years**

(21) **Appl. No.:** **29/132,152**

(22) **Filed:** **Nov. 2, 2000**

(51) **LOC (7) Cl.** ..... **07-07**

(52) **U.S. Cl.** ..... **D32/53.1**

(58) **Field of Search** ..... D32/53, 53.1,  
D32/54; 206/518, 557, 561; 220/570; D9/341,  
346, 425

(56) **References Cited**

**U.S. PATENT DOCUMENTS**

D. 386,075 \* 11/1997 Hayes et al. .... D9/341

D. 401,704 \* 11/1998 Clark ..... D32/53.1

D. 428,540 \* 7/2000 Grant ..... D32/53.1

4,164,299 \* 8/1979 Fuhr ..... 220/570

\* cited by examiner

*Primary Examiner*—Robin V. Taylor

(74) *Attorney, Agent, or Firm*—Keeling Law Firm

(57) **CLAIM**

The ornamental design for a touch-up paint tray, as shown.

**DESCRIPTION**

FIG. 1 is an orthogonal perspective view of the touch-up paint tray.

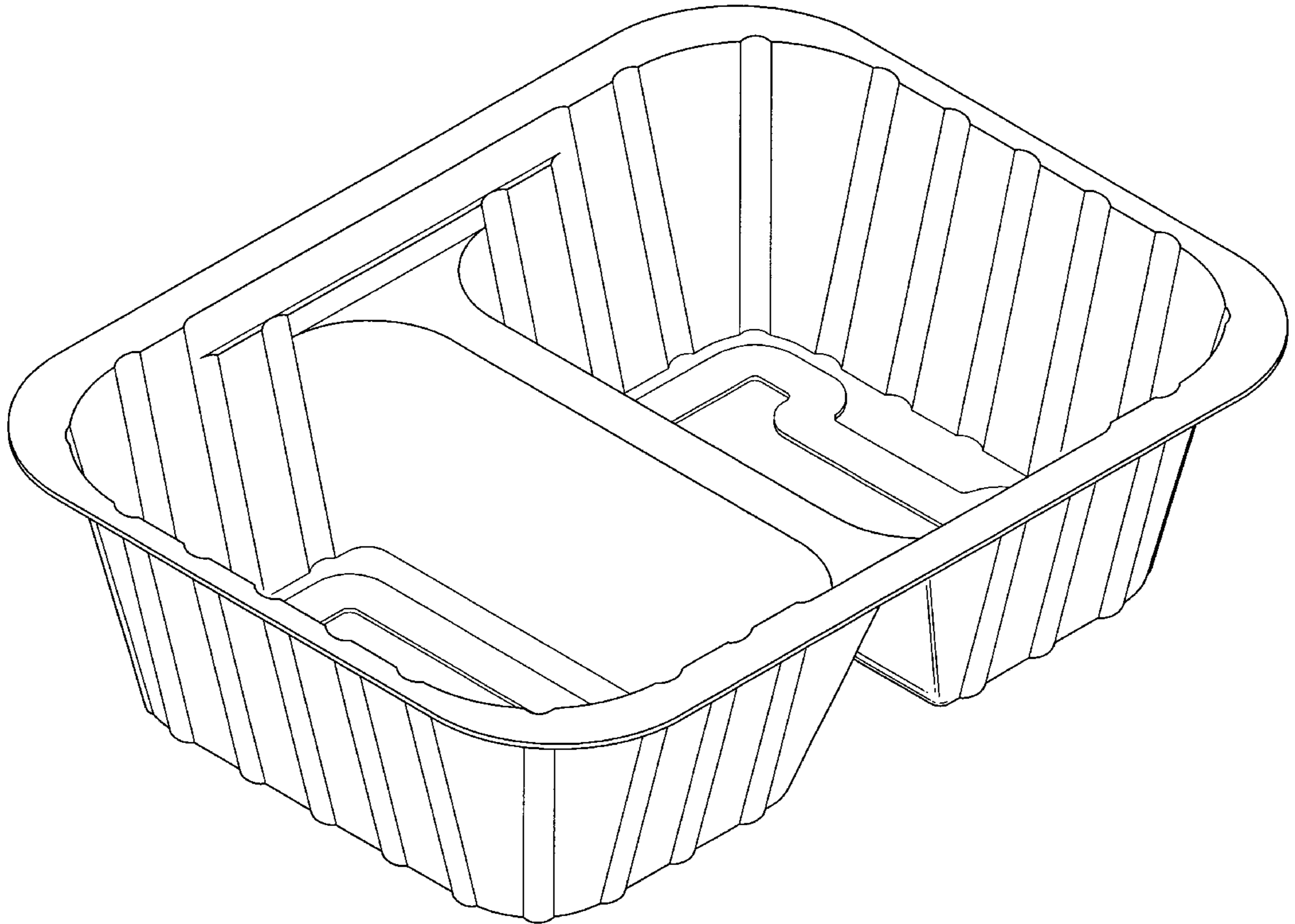
FIG. 2 is a top view of the touch-up paint tray.

FIG. 3 is a side view of the touch-up paint tray.

FIG. 4 is a bottom view of the touch-up paint tray; and,

FIG. 5 is an end view of the touch-up paint tray.

**1 Claim, 3 Drawing Sheets**



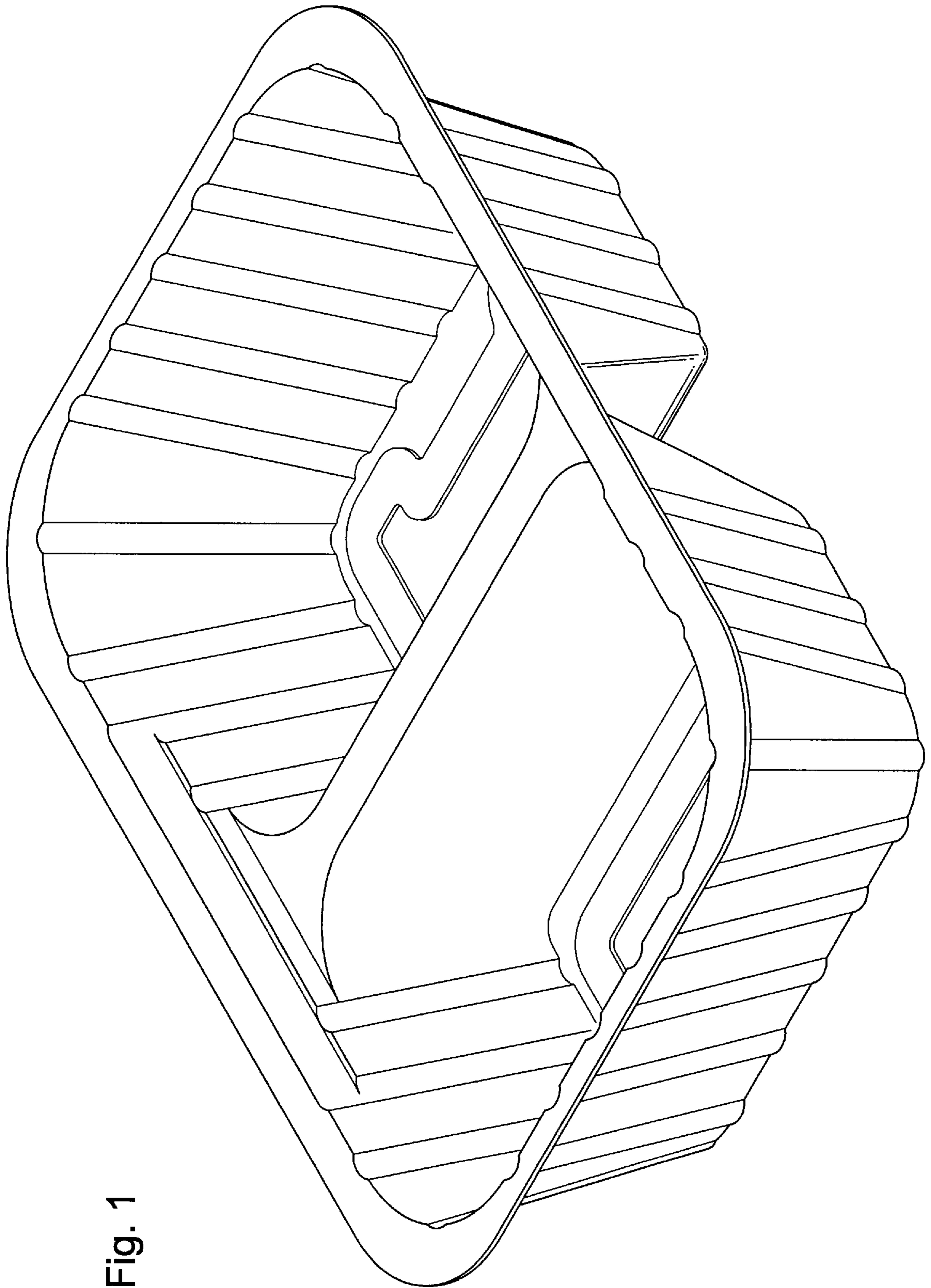


Fig. 1

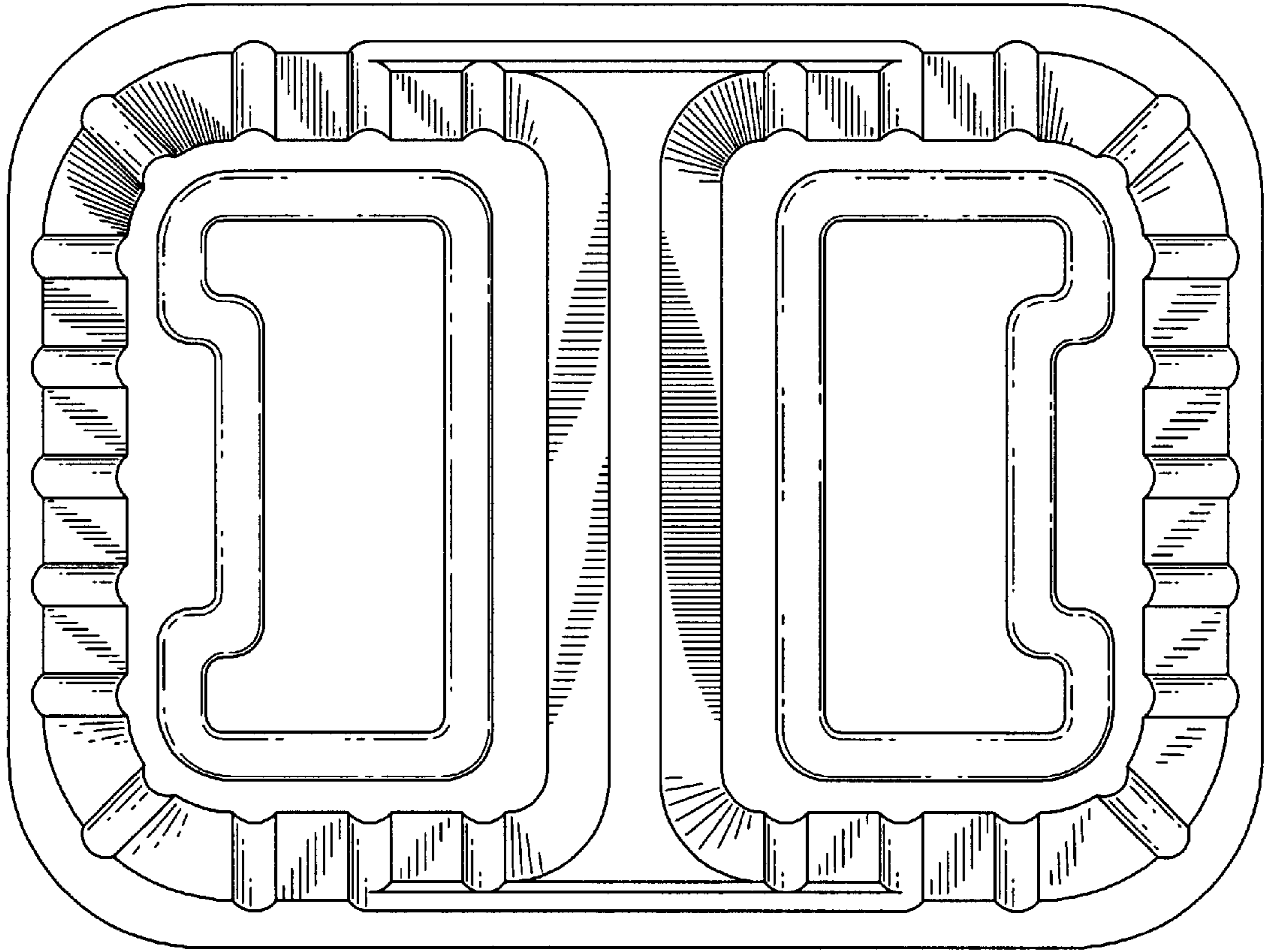


Fig. 2

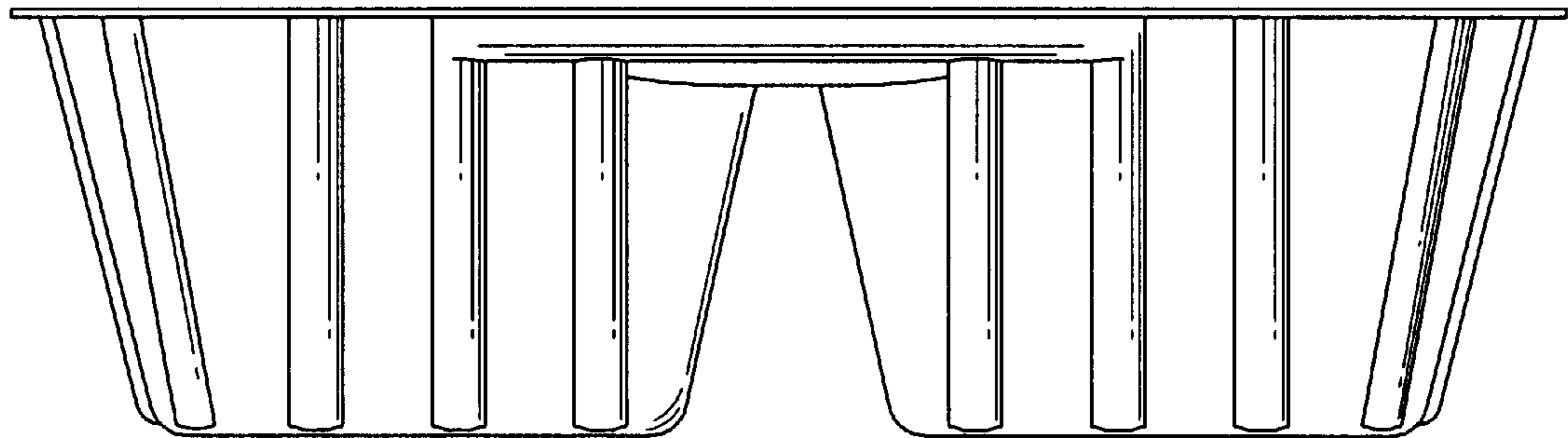


Fig. 3

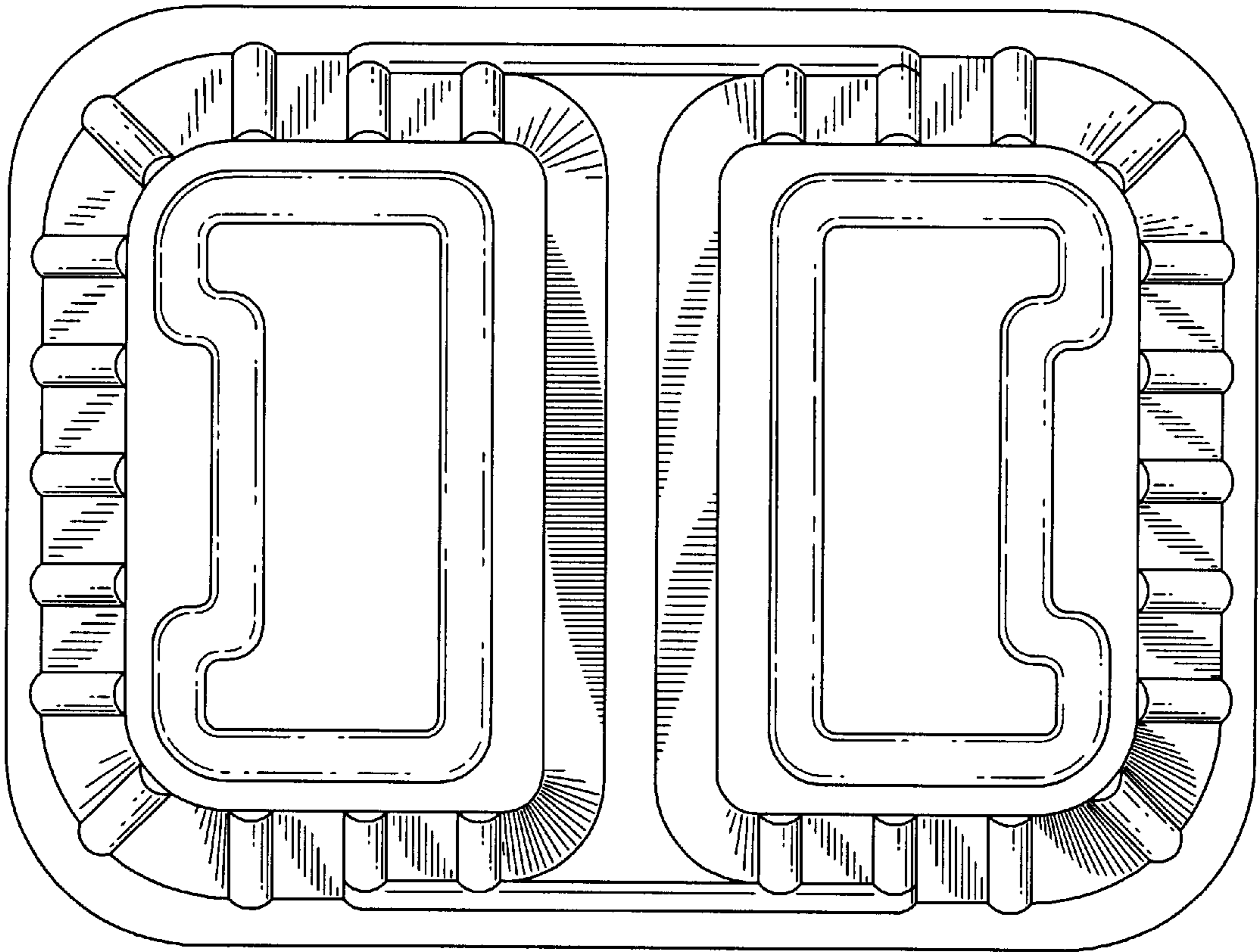


Fig. 4

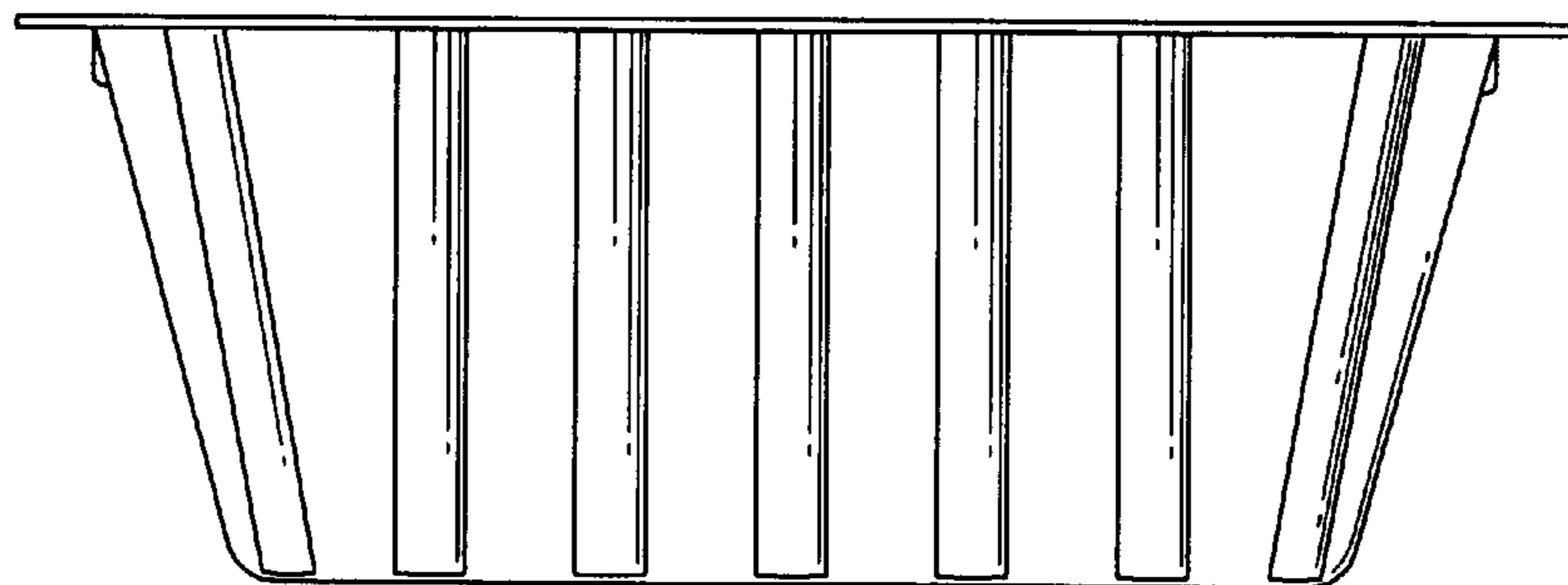


Fig. 5