



US00D448127B1

(12) **United States Design Patent**  
**Zelinger**

(10) **Patent No.:** **US D448,127 S**

(45) **Date of Patent:** **\*\* Sep. 18, 2001**

- (54) **TWO PART ANT PROOF PET BOWL**
- (75) Inventor: **Alan Zelinger**, Monsey, NY (US)
- (73) Assignee: **Ethical Products, Inc.**, Newark, NJ (US)
- (\*\*) Term: **14 Years**
- (21) Appl. No.: **29/133,375**
- (22) Filed: **Nov. 29, 2000**
- (51) **LOC (7) Cl.** ..... **30-03**
- (52) **U.S. Cl.** ..... **D30/129**
- (58) **Field of Search** ..... D30/121-133;  
119/61, 51.05, 51.12, 51.13, 51.5; D7/553,  
554, 545, 543, 584, 602, 612, 613

5,031,575	7/1991	Phillips .	
5,069,166	12/1991	Ahuna .	
5,113,798	* 5/1992	Rera .....	119/61
5,577,461	11/1996	Sebastian et al. .	
5,647,299	* 7/1997	Pearson-Falcon .....	119/61

\* cited by examiner

*Primary Examiner*—Pamela Burgess

(74) *Attorney, Agent, or Firm*—Helfgott & Karas, P.C.

(57) **CLAIM**

The ornamental design for a two part ant proof pet bowl, as shown and described.

**DESCRIPTION**

FIG. 1 is an exploded perspective view of a two part ant proof pet bowl showing my new design;  
 FIG. 2 is a perspective view of a two part ant proof pet bowl showing my new design;  
 FIG. 3 is a side elevation view of FIG. 2;  
 FIG. 4 is a top view of FIG. 2; and,  
 FIG. 5 is a bottom view of FIG. 2.

(56) **References Cited**

**U.S. PATENT DOCUMENTS**

D. 244,216	* 5/1977	Gerber .....	D30/129
D. 430,363	8/2000	Bacon et al. .	
2,677,350	5/1954	Prestige et al. .	
4,803,954	2/1989	Welch et al. .	

**1 Claim, 4 Drawing Sheets**

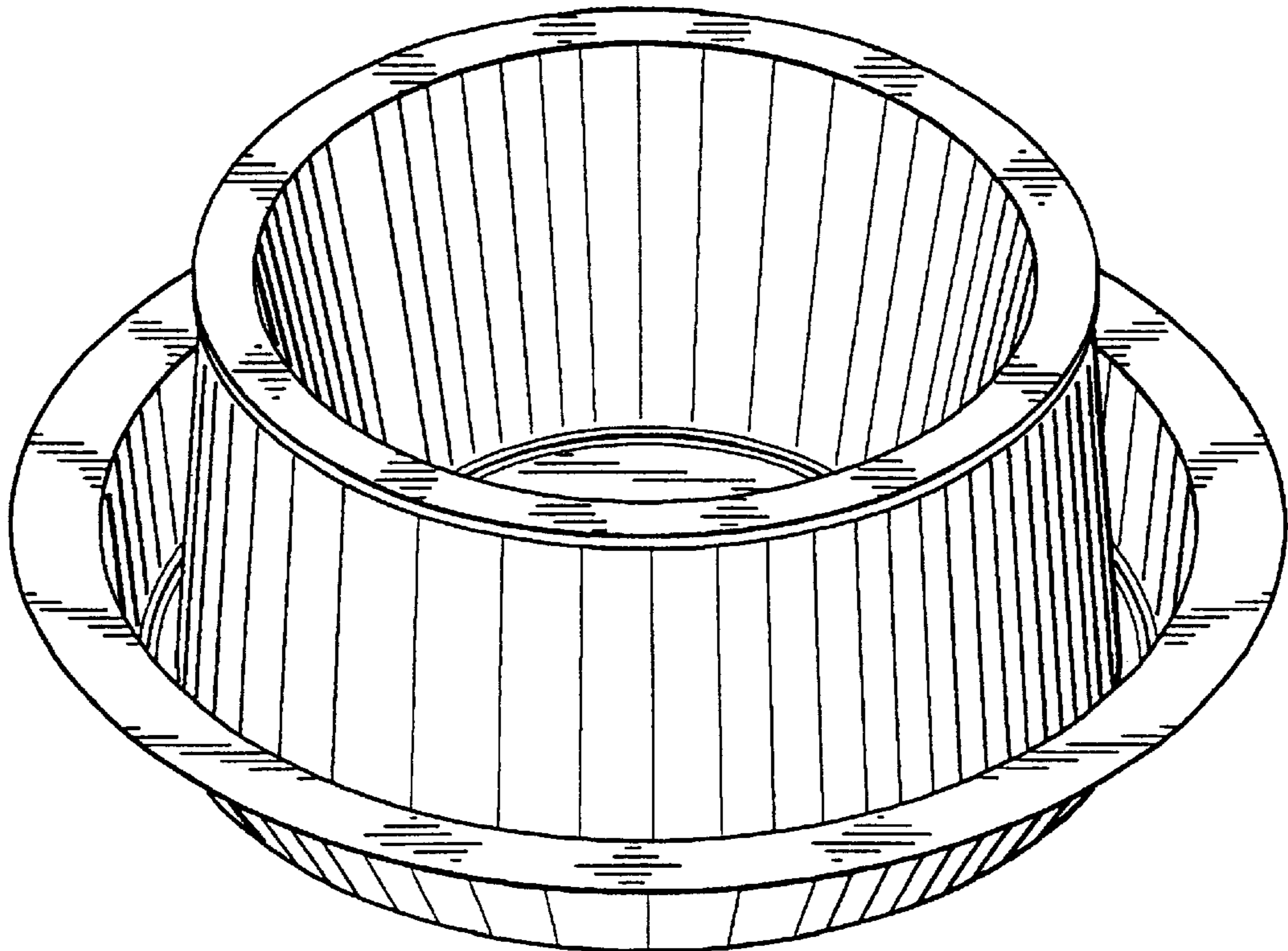


Fig. 1

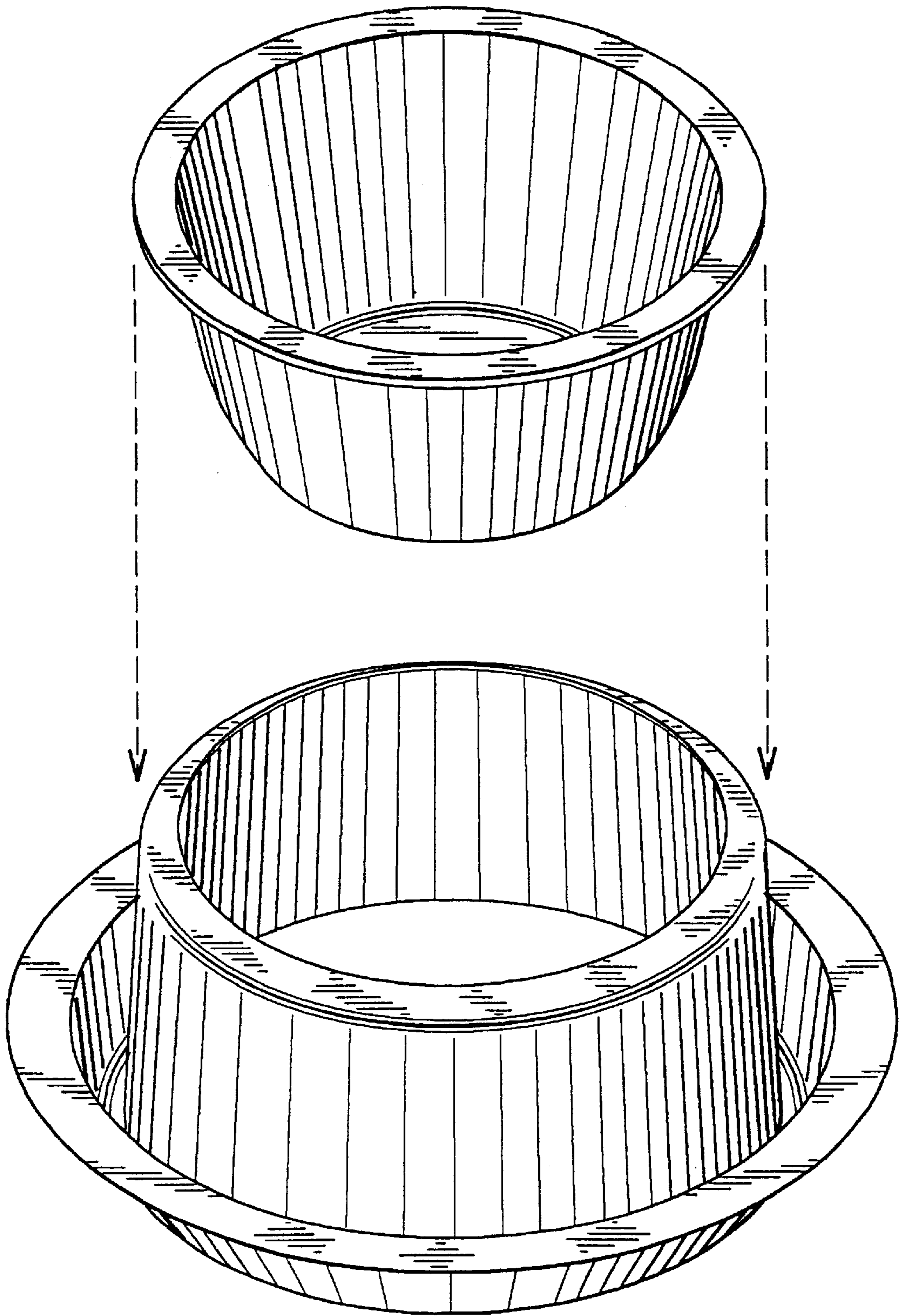


Fig. 2

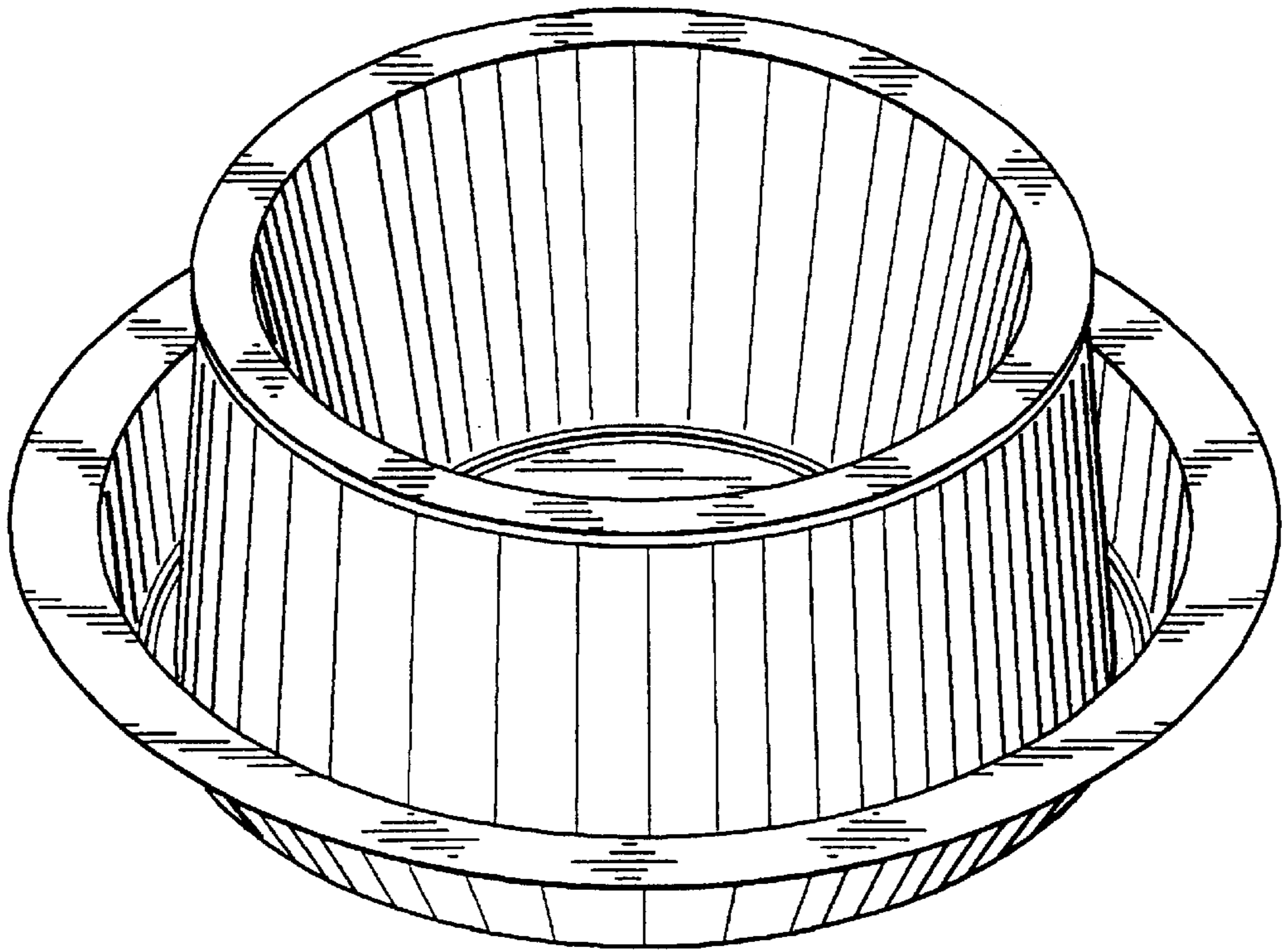
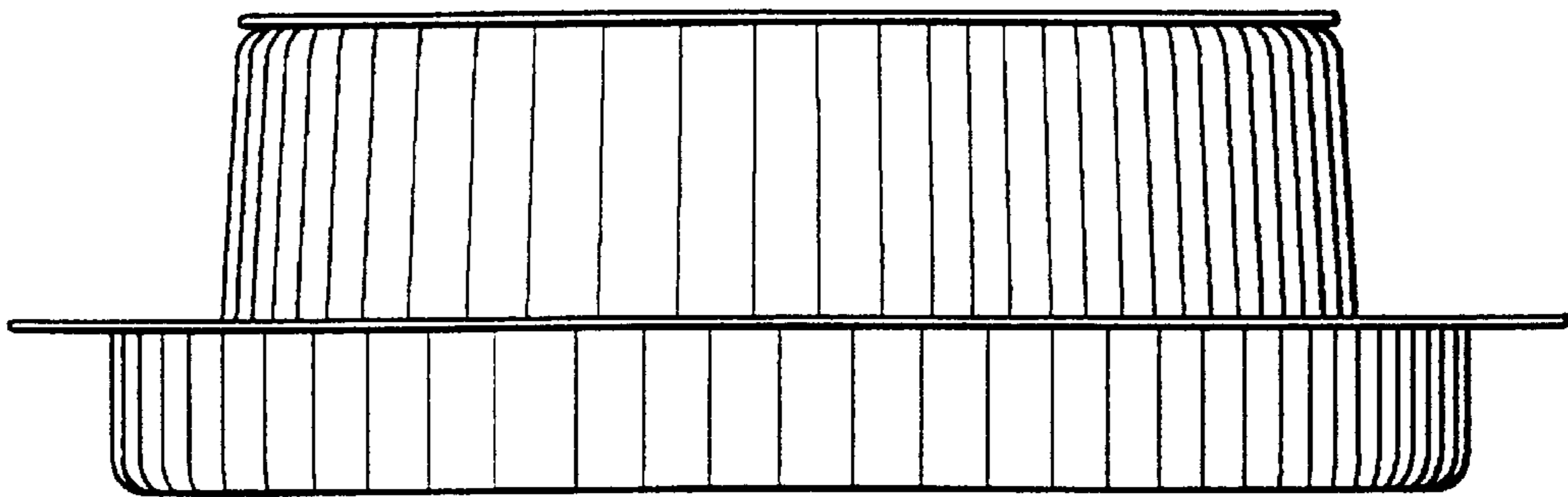


Fig. 3



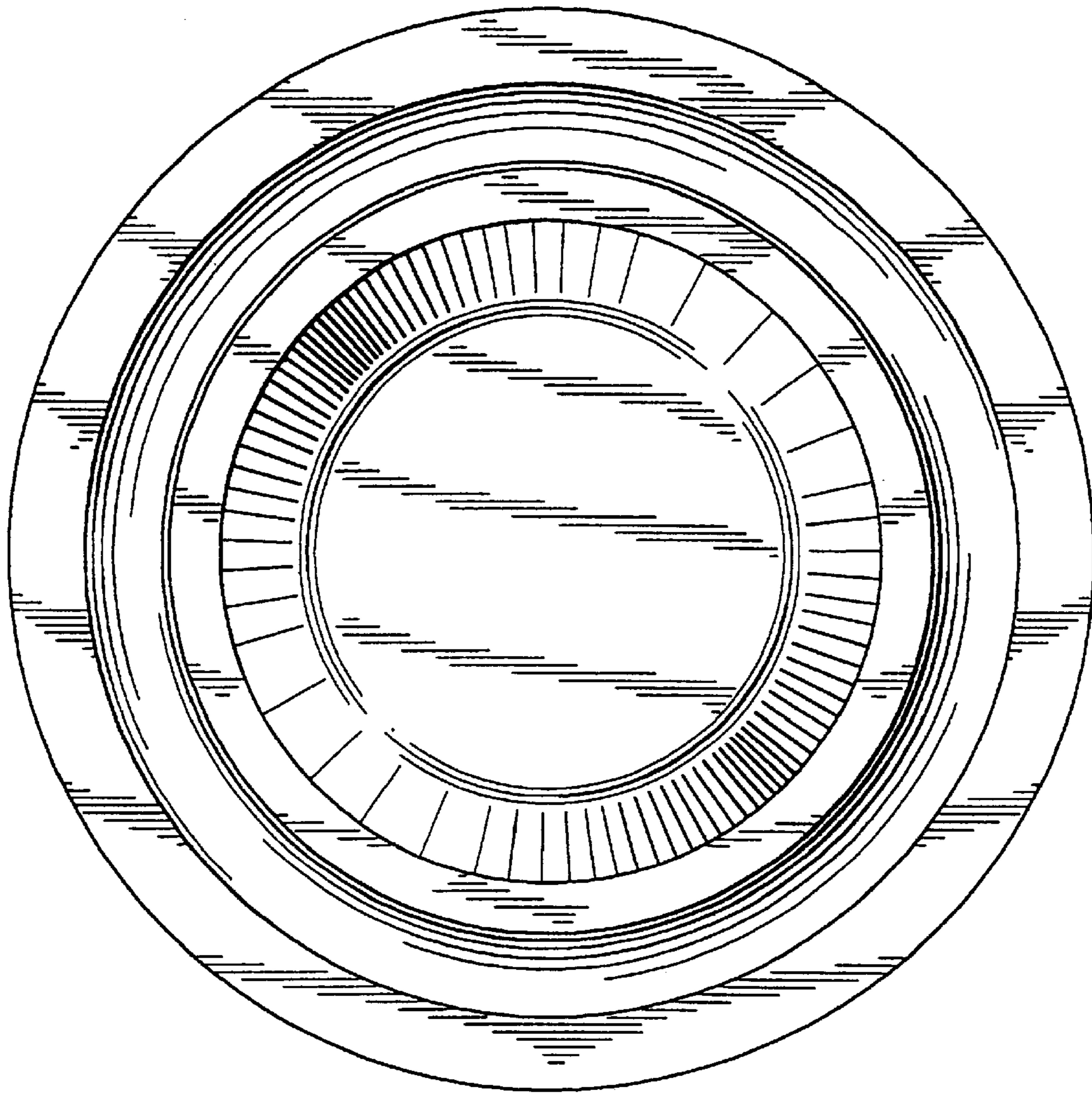


Fig. 4

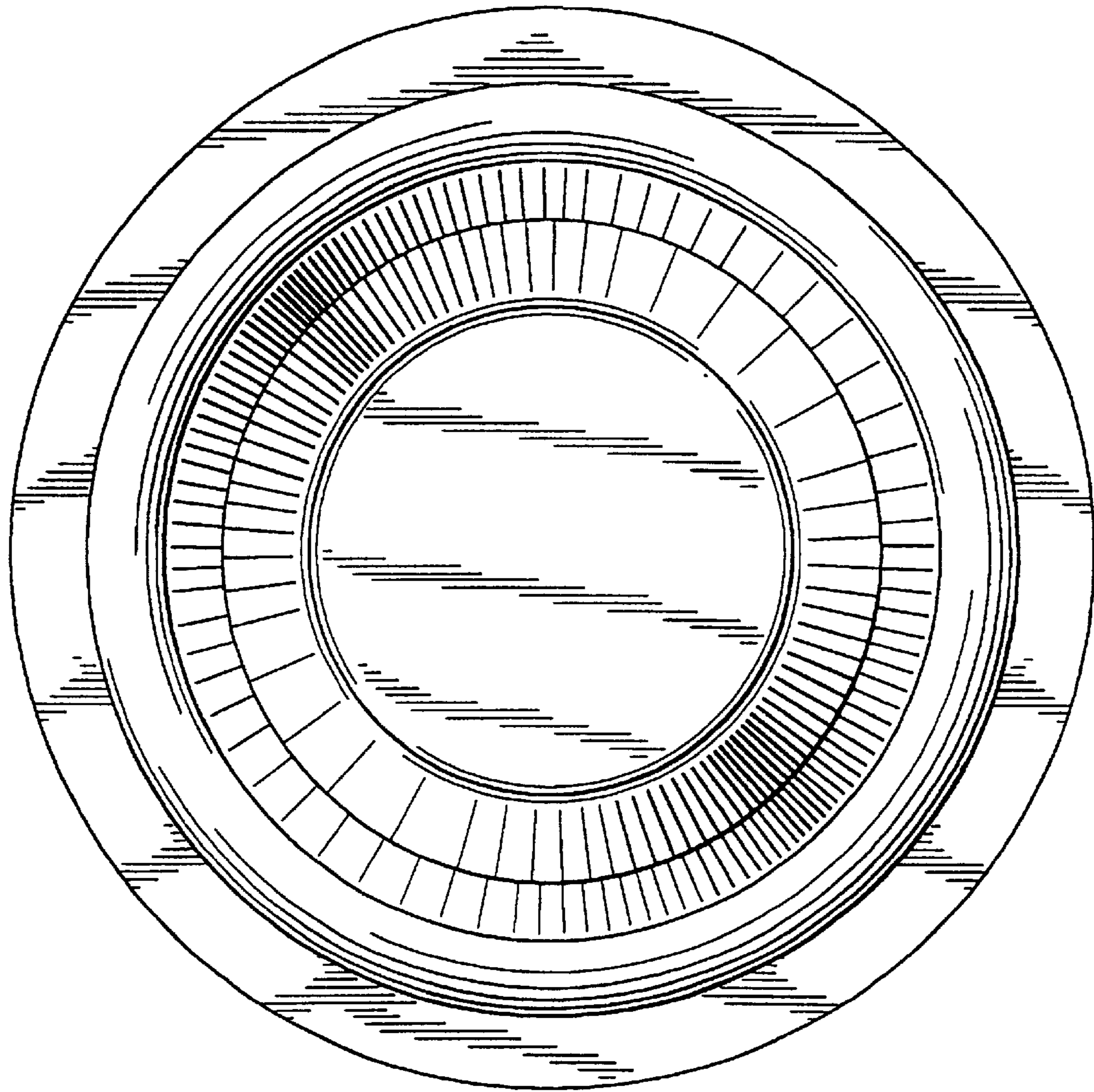


Fig. 5