



US00D448126B1

(12) **United States Design Patent**  
**Colwell**

(10) **Patent No.:** **US D448,126 S**

(45) **Date of Patent:** **\*\* \*Sep. 18, 2001**

(54) **SELECTIVE BIRD FEEDER**

(75) Inventor: **Betsy P. Colwell**, Foster, RI (US)

(73) Assignee: **Droll Yankees Inc.**, Foster, RI (US)

(\* ) Notice: This patent is subject to a terminal disclaimer.

(\*\* ) Term: **14 Years**

(21) Appl. No.: **29/120,647**

(22) Filed: **Mar. 23, 2000**

(51) **LOC (7) Cl.** ..... **30-03**

(52) **U.S. Cl.** ..... **D30/124**

(58) **Field of Search** ..... D30/124; 119/57.9,  
119/57.8, 51.01, 51.3, 52.2

(56) **References Cited**

**U.S. PATENT DOCUMENTS**

2,524,502	10/1950	Wilkinson .
3,301,217	1/1967	Prowinsky .
3,316,883	5/1967	Johnson .
3,399,650	9/1968	Goodman .
4,434,745	3/1984	Perkins et al. .
5,016,573	5/1991	Power .

5,111,772	5/1992	Lipton .	
5,289,796	*	3/1994	Armstrong ..... 119/52.3
5,323,735		6/1994	Meng .
5,377,617		1/1995	Harwich .
5,479,878	*	1/1996	Coulter ..... 119/51.03
5,758,596	*	6/1998	Loiselle ..... 119/52.2

\* cited by examiner

*Primary Examiner*—Holly Baynham

(74) *Attorney, Agent, or Firm*—Salter & Michaelson

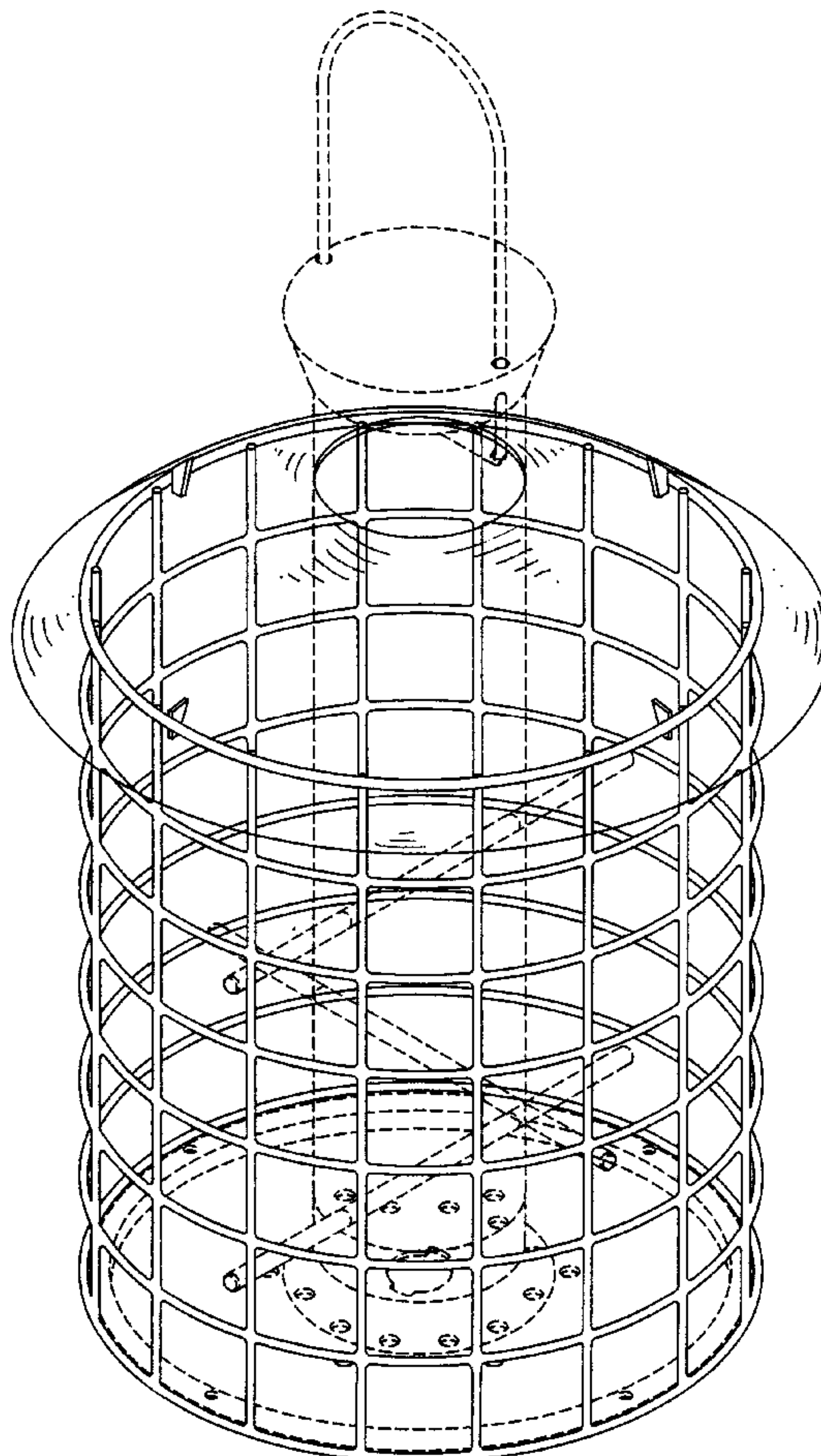
(57) **CLAIM**

The ornamental design for a selective bird feeder, as shown and described.

**DESCRIPTION**

FIG. 1 is a perspective view of a selective bird feeder showing my new design; FIG. 2 is an elevational view of one side, with all other sides being mirror images thereof; FIG. 3 is a top plan view thereof; and, FIG. 4 is a bottom plan view thereof. The portions shown in broken lines in FIG. 1 are included for illustrative purposes only and form no part of the claimed design.

**1 Claim, 3 Drawing Sheets**



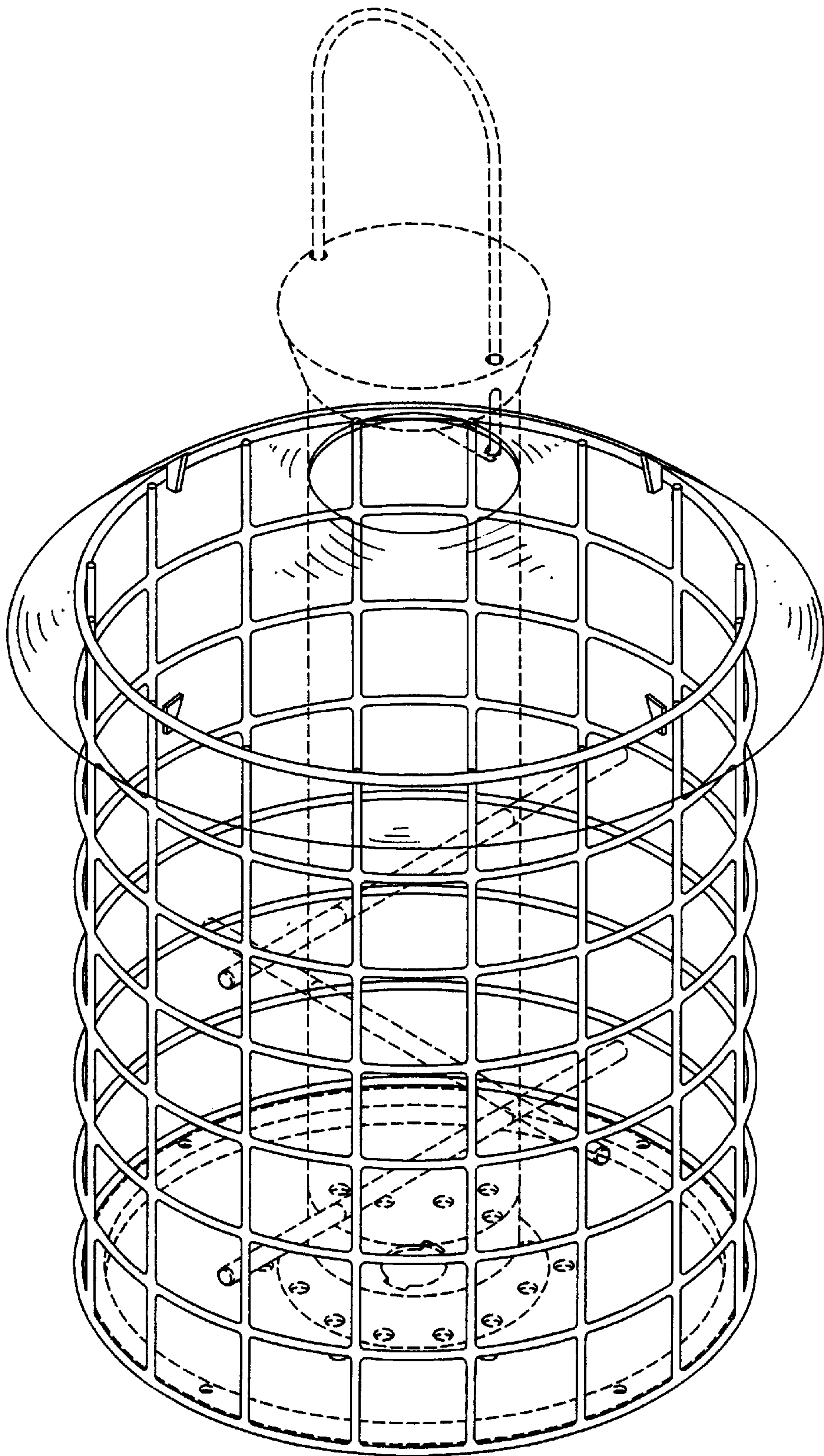


FIG. 1

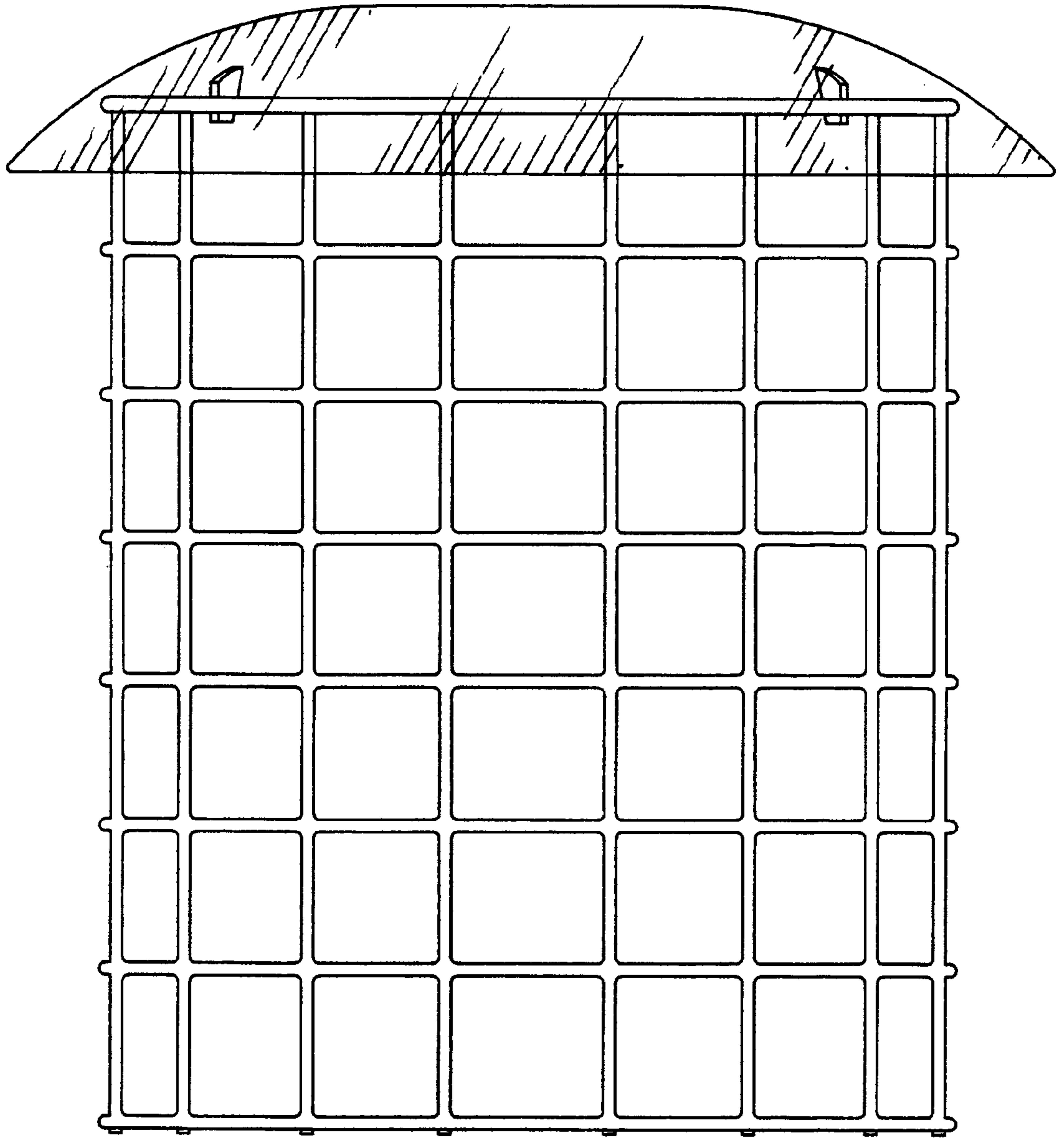


FIG. 2



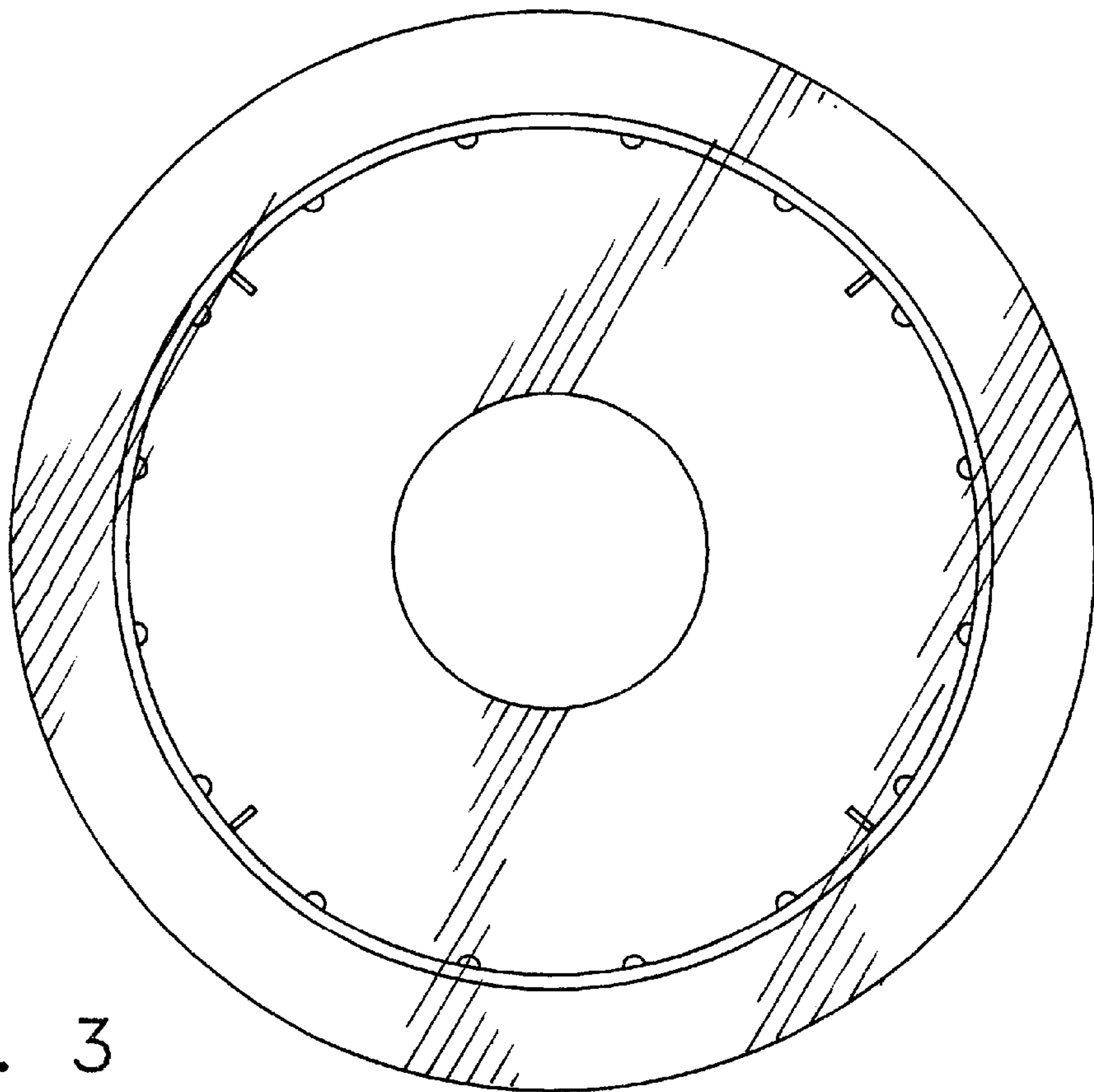


FIG. 3

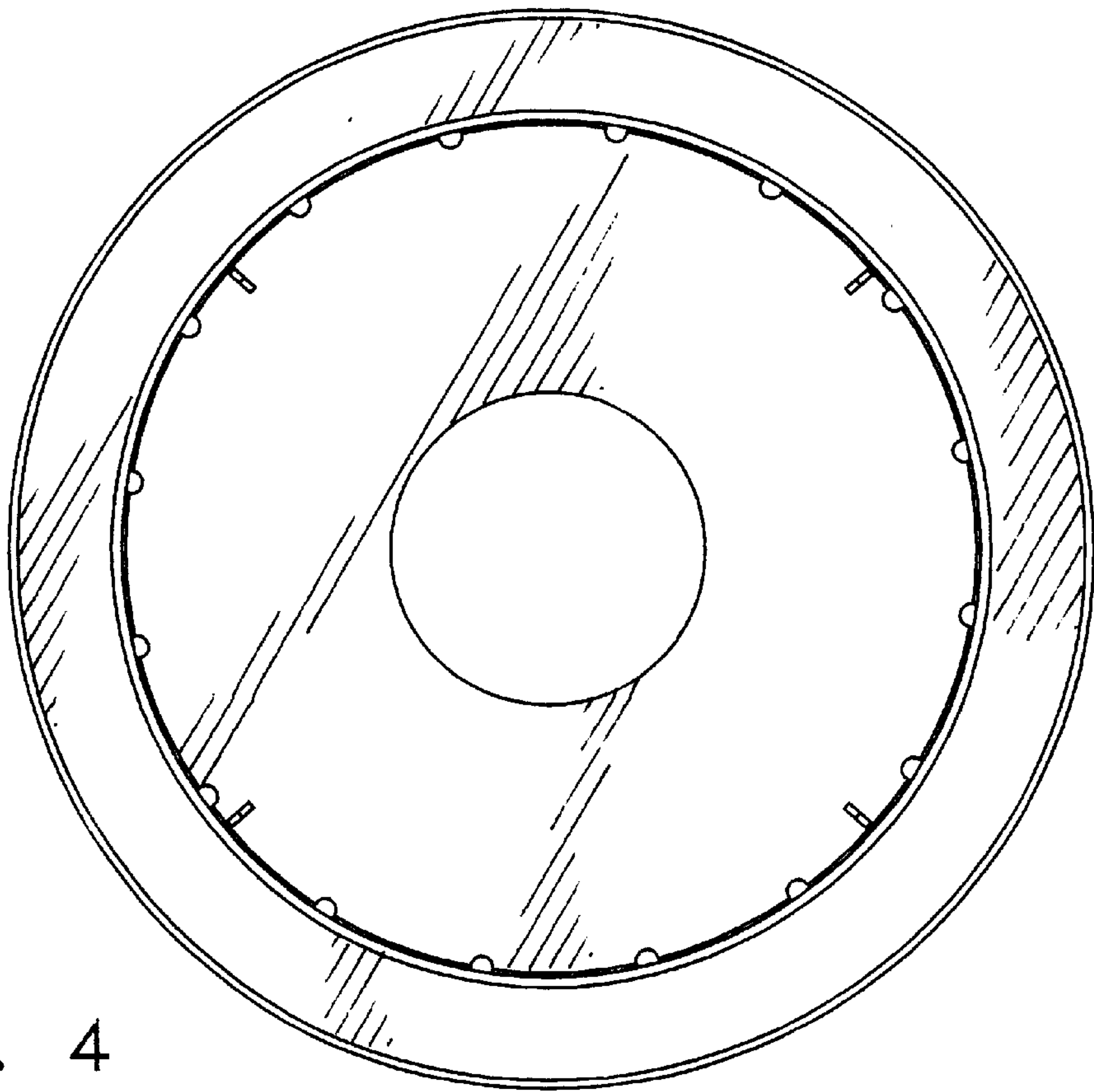


FIG. 4