



US00D448124B1

(12) **United States Design Patent**
Wang

(10) **Patent No.:** **US D448,124 S**

(45) **Date of Patent:** **** Sep. 18, 2001**

(54) **AQUARIUM**

(75) **Inventor:** **Chiao-Ming Wang, Taichung Hsien (TW)**

(73) **Assignee:** **Meiko Pet Corporation, Taichung Hsien (TW)**

(**) **Term:** **14 Years**

(21) **Appl. No.:** **29/128,576**

(22) **Filed:** **Aug. 29, 2000**

(51) **LOC (7) Cl.** **30-02**

(52) **U.S. Cl.** **D30/101**

(58) **Field of Search** D30/101-107;
119/250, 245-246, 257, 263, 265-267,
269, 248; D11/145; 446/267; 40/408; 47/69

(56) **References Cited**

U.S. PATENT DOCUMENTS

- D. 158,074 * 4/1950 Hollick-Smith .
- 305,720 * 9/1884 Sperber 47/69
- D. 356,404 * 3/1995 Hashimoto D30/101
- D. 357,556 * 4/1995 Hashimoto D30/101

- D. 361,164 * 8/1995 Ichikawa D30/101
- D. 361,165 * 8/1995 Ichikawa D30/101
- D. 361,412 * 8/1995 Ichikawa D30/101
- D. 362,088 * 9/1995 Ichikawa D30/101
- D. 366,735 * 1/1996 Ichikawa D30/101
- D. 415,292 * 10/1999 Giese D30/101

* cited by examiner

Primary Examiner—Cathy Anne MacCormac

(74) *Attorney, Agent, or Firm*—Rosenberg, Klein & Lee

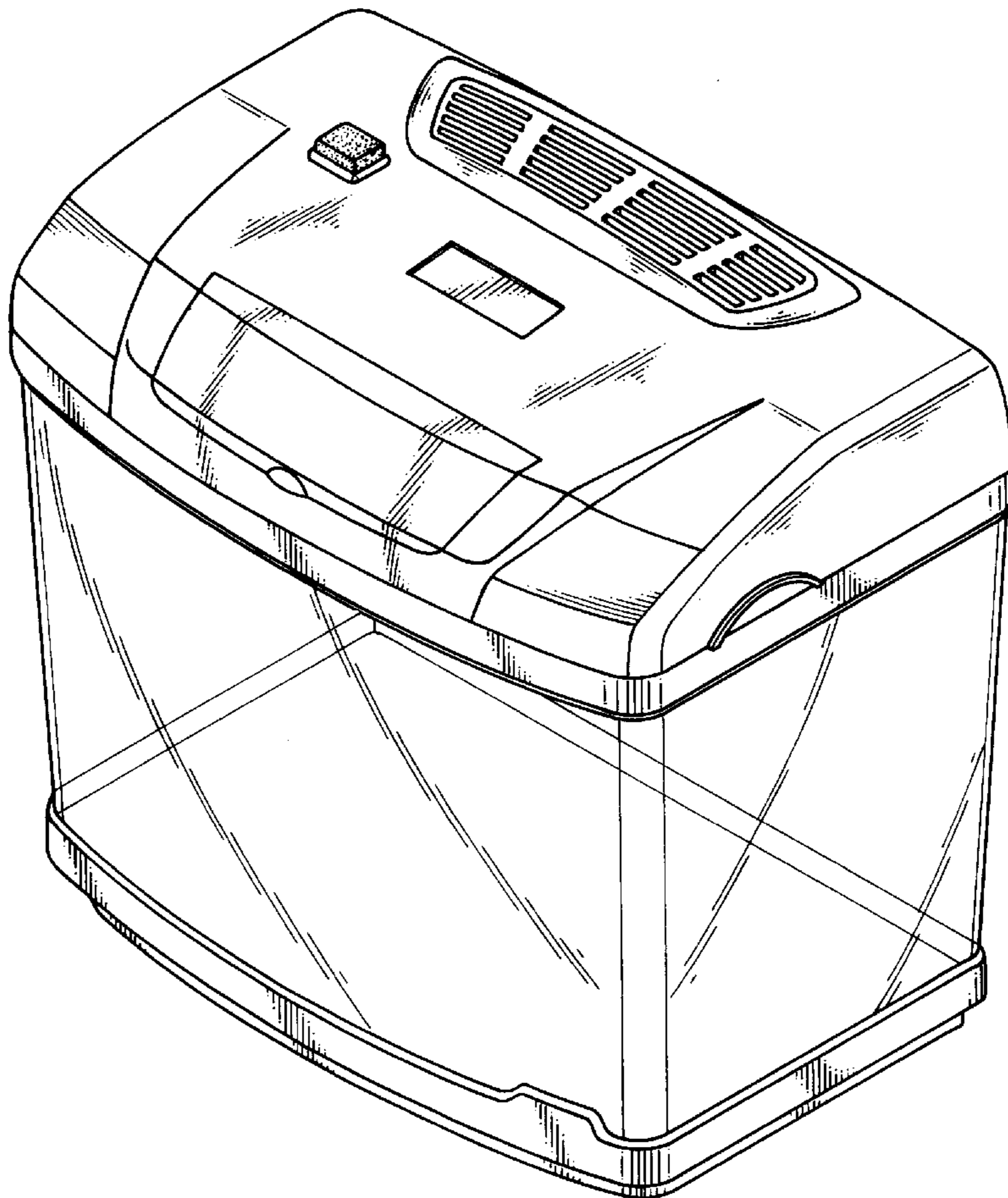
(57) **CLAIM**

The ornamental design for a aquarium, as shown and described.

DESCRIPTION

FIG. 1 is a perspective view of aquarium showing my new design;
 FIG. 2 is a front elevation view thereof;
 FIG. 3 is a rear elevation view thereof;
 FIG. 4 is a right side elevation view thereof;
 FIG. 5 is a left side elevation view thereof;
 FIG. 6 is a top plan view thereof; and,
 FIG. 7 is a bottom plan view thereof.

1 Claim, 4 Drawing Sheets



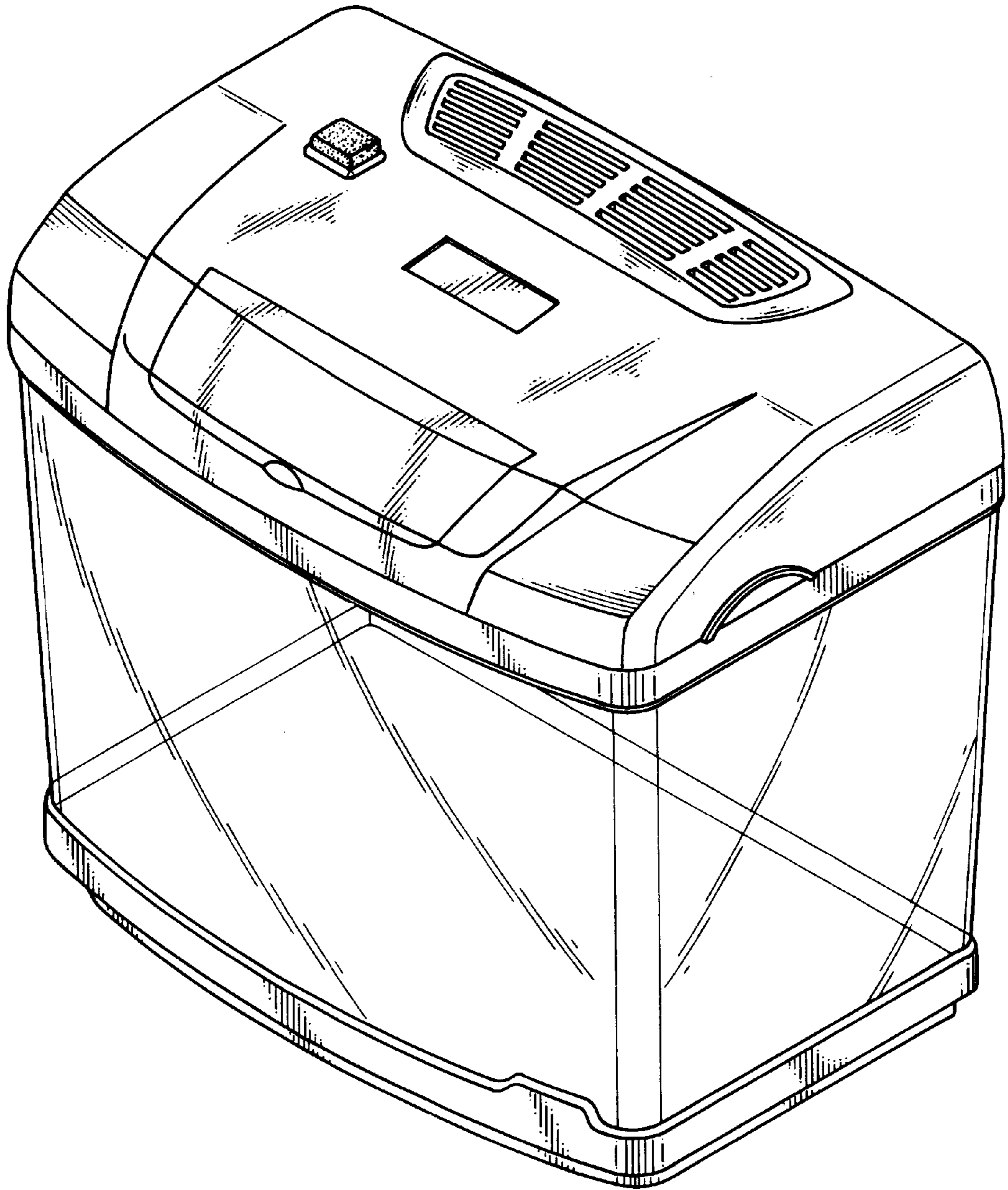


FIG. 1

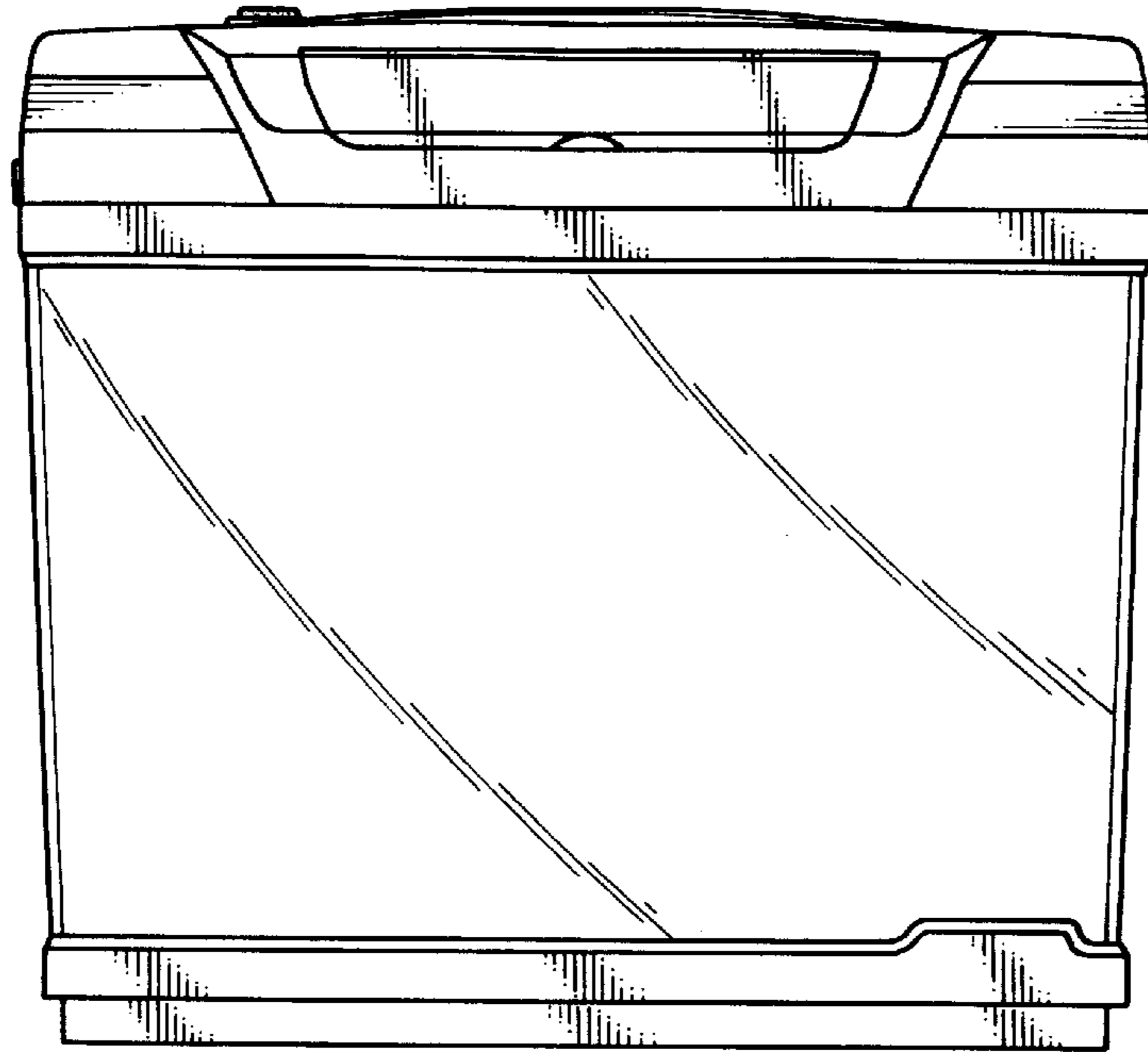


FIG. 2

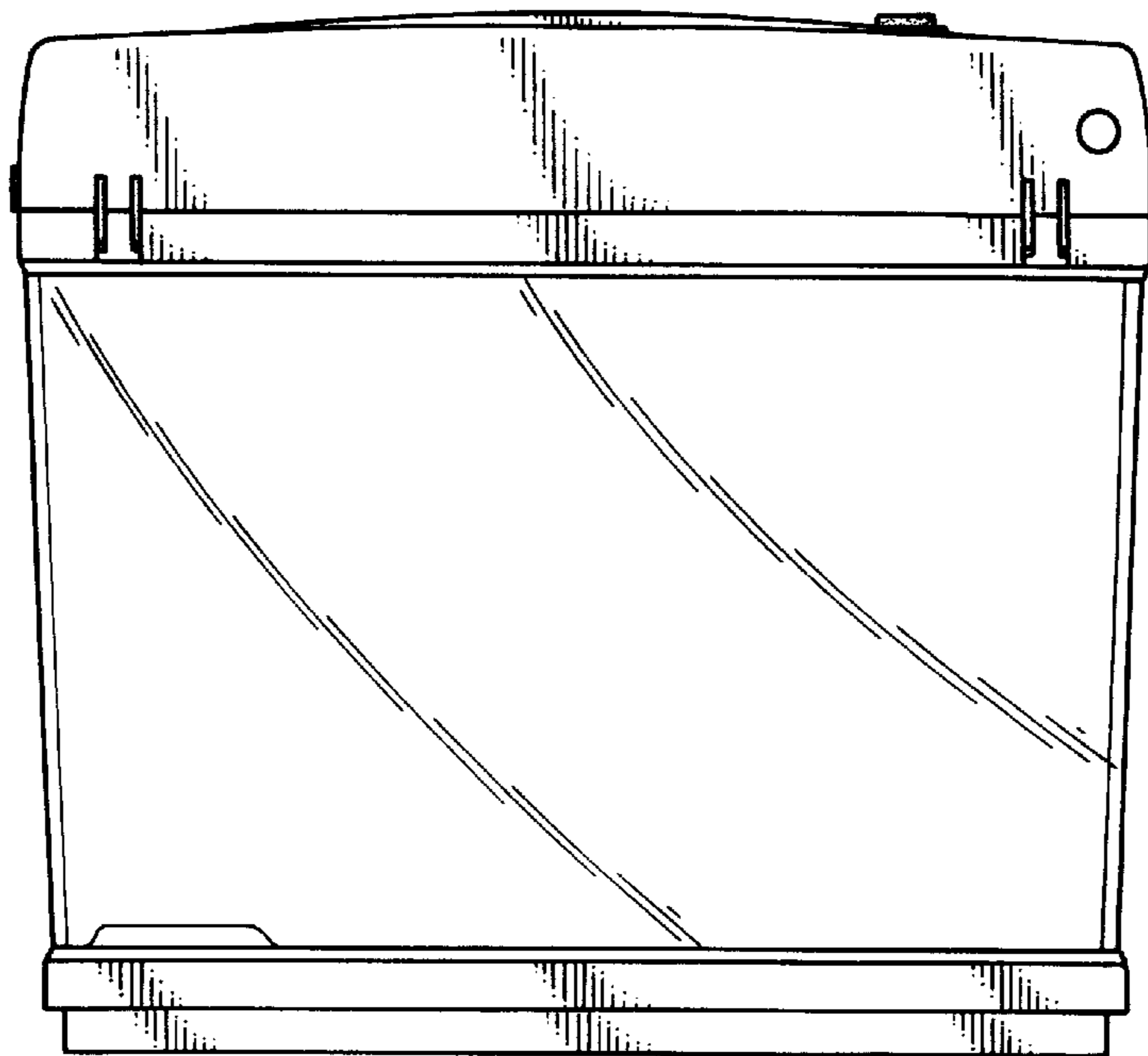


FIG. 3

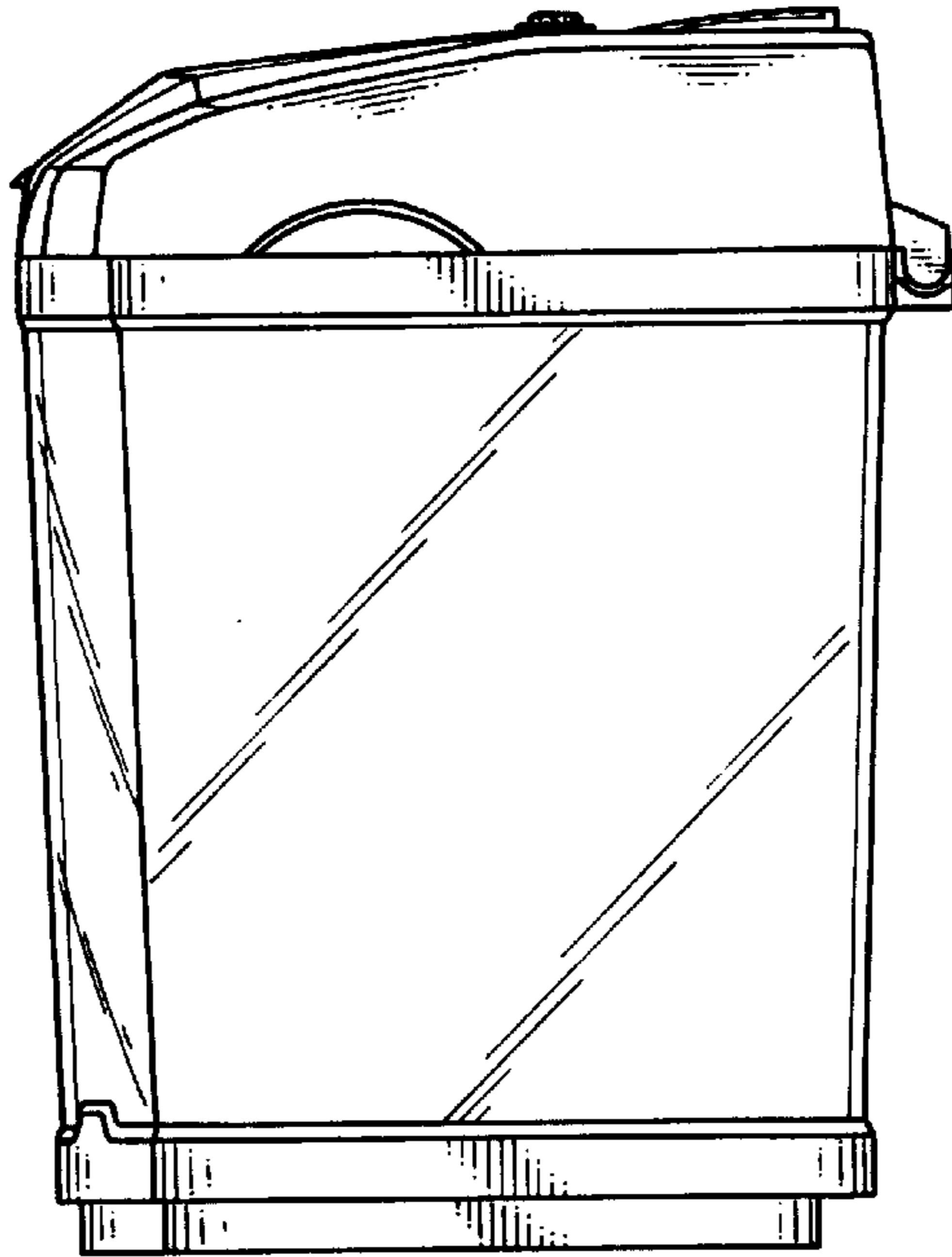


FIG. 4

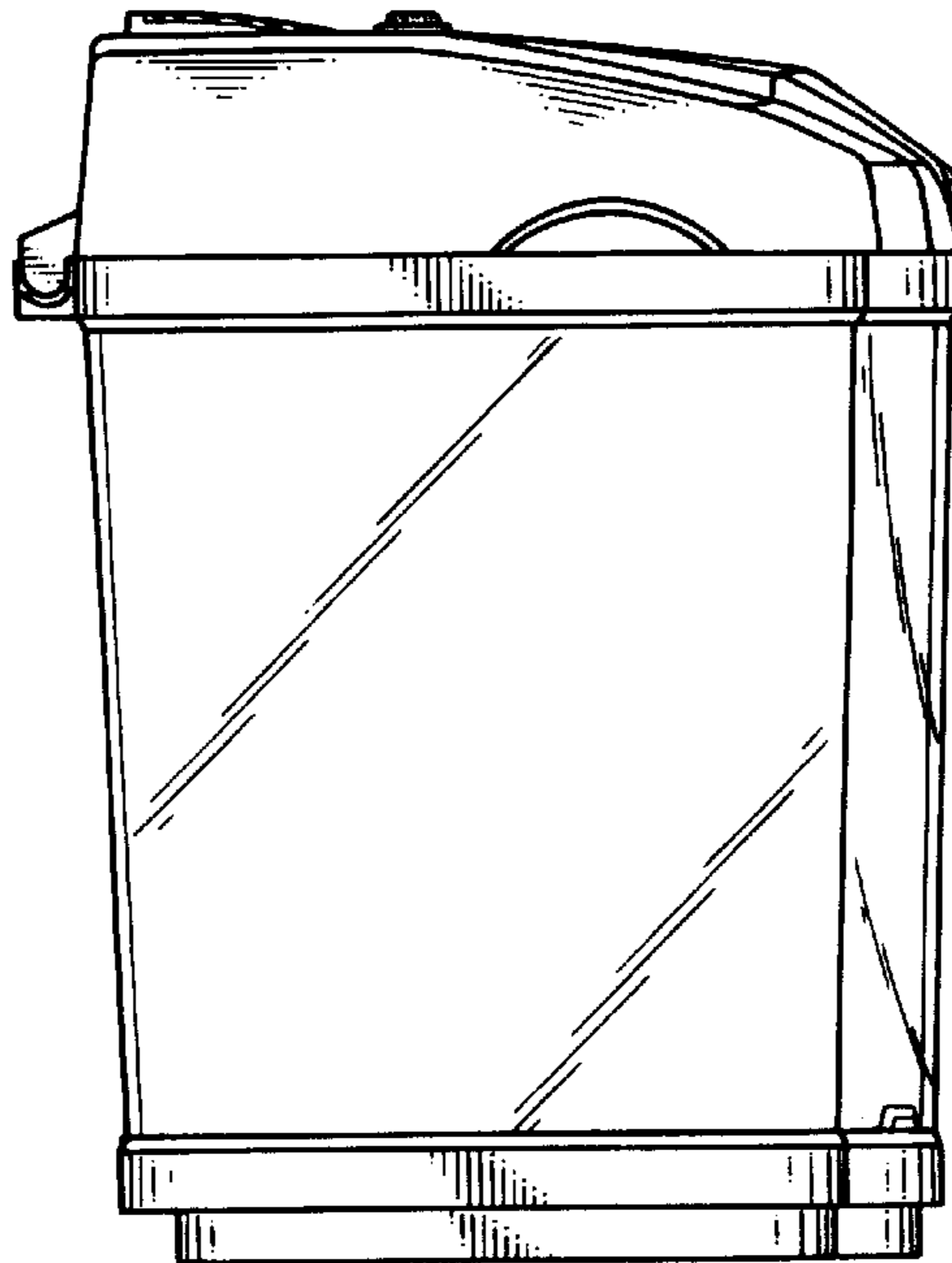


FIG. 5

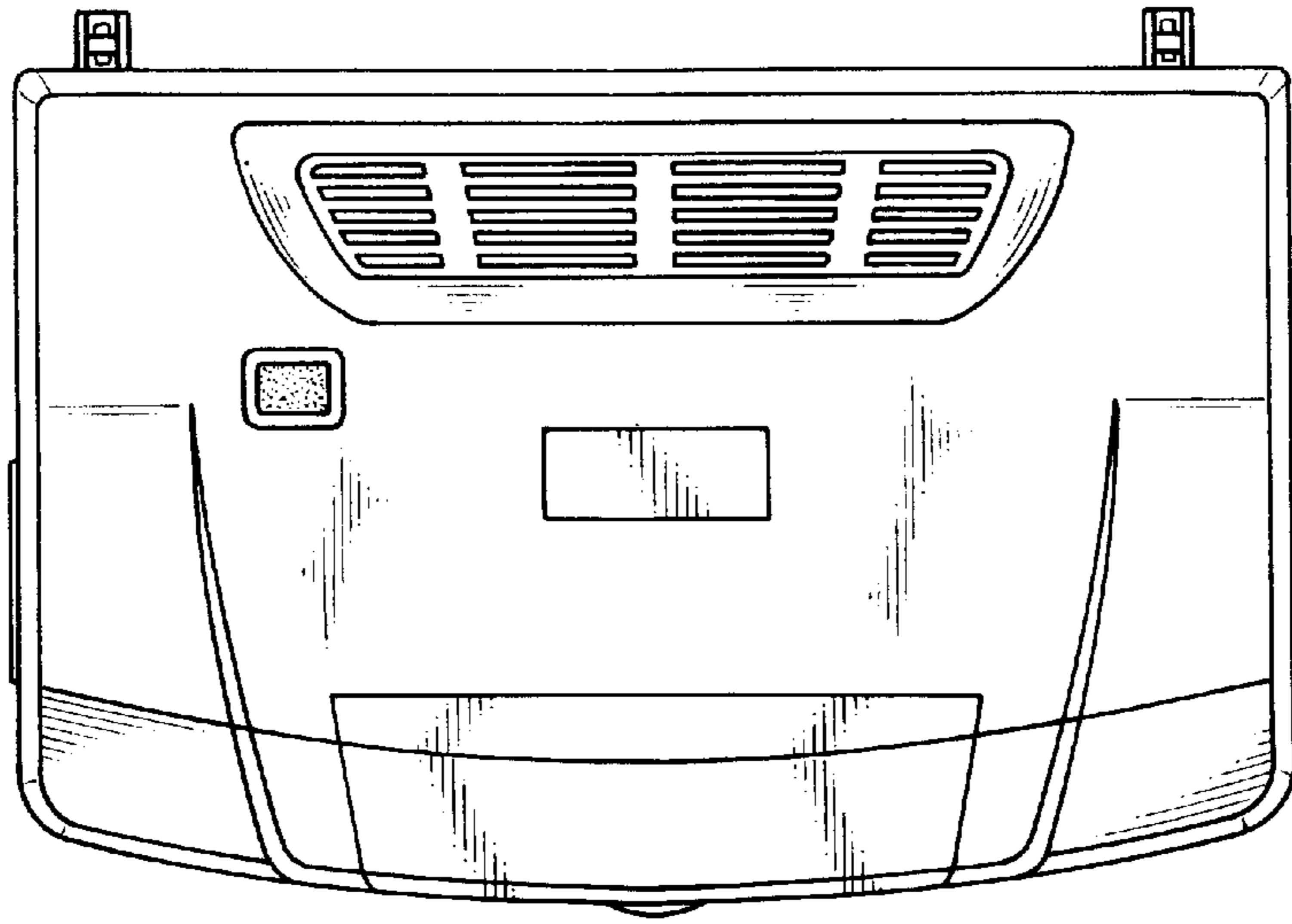


FIG. 6

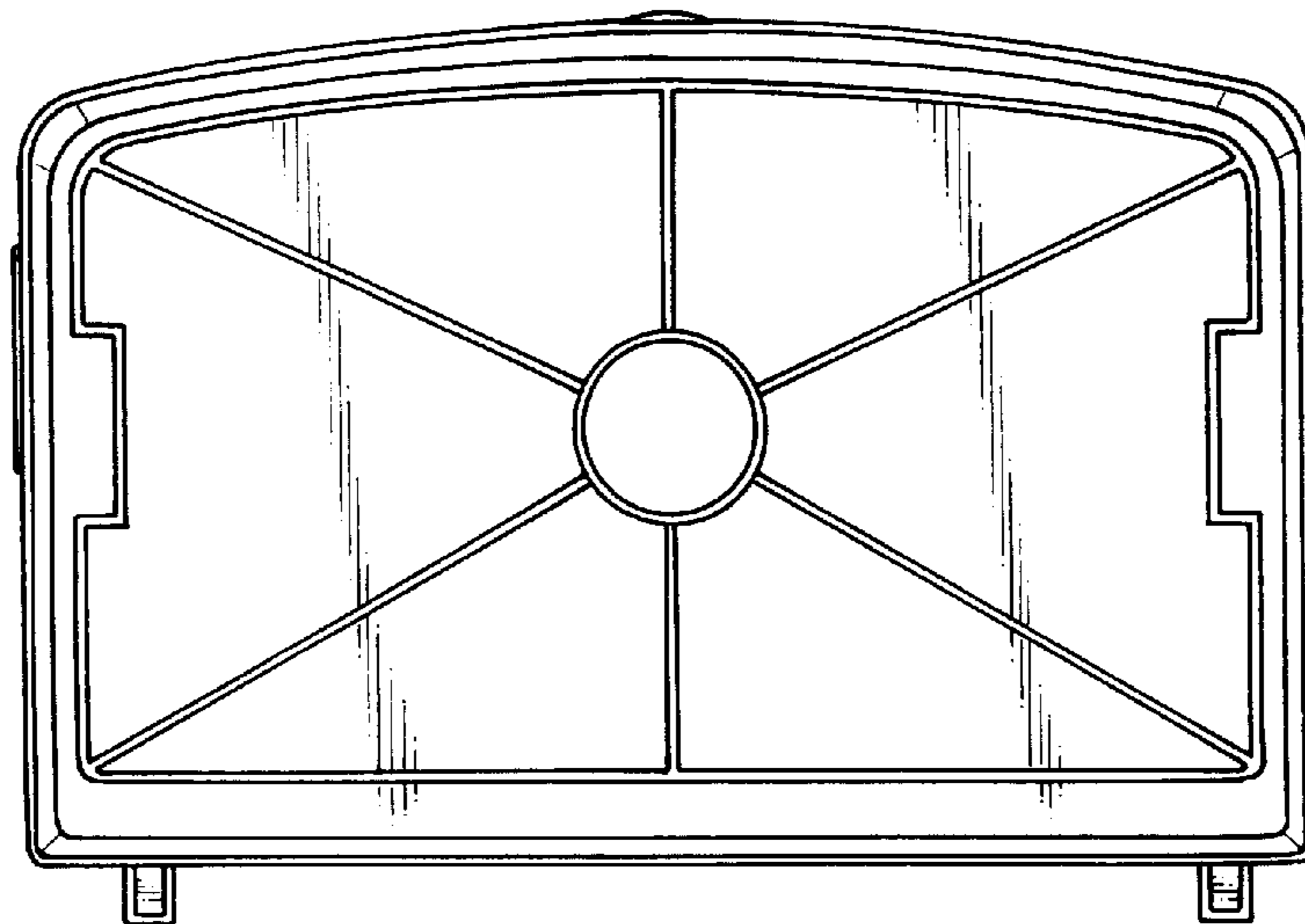


FIG. 7