



US00D448116B1

(12) **United States Design Patent**
Granito

(10) **Patent No.:** **US D448,116 S**

(45) **Date of Patent:** **** Sep. 18, 2001**

(54) **COMB CUTTER FOR HAIR**

3,794,050 2/1974 Gallanis et al. .
4,487,211 * 12/1984 Sullivan 132/213.1

(76) Inventor: **Mario Granito**, 50 Masefield Crescent,
Abingdon, Oxon OX14 5PJ (GB)

FOREIGN PATENT DOCUMENTS

(**) Term: **14 Years**

2400988 7/1974 (DE) .
604652 5/1926 (FR) .

(21) Appl. No.: **29/133,850**

* cited by examiner

(22) Filed: **Dec. 8, 2000**

Primary Examiner—Ted Shooman

(51) **LOC (7) Cl.** **28-03**

Assistant Examiner—C. Tuttle

(52) **U.S. Cl.** **D28/25; D28/44; D28/52**

(74) *Attorney, Agent, or Firm*—Davis & Bujold, P.L.L.C.

(58) **Field of Search** D28/44, 45, 49-54,
D28/13, 15, 23-25; 30/30-32, 34.05, 34.1,
34.2, 38, 41, 42, 526, 233.5; 132/148, 117-119,
119.1, 126, 129, 142, 150, 213, 213.1

(57) **CLAIM**

The ornamental design for a comb cutter for hair, as shown and described.

(56) **References Cited**

DESCRIPTION

U.S. PATENT DOCUMENTS

- D. 159,994 9/1950 Lee .
- D. 232,874 9/1974 Koblick .
- D. 252,826 9/1979 Bakewell .
- D. 403,108 12/1998 Granito .
- 1,361,612 * 12/1920 Peterson 132/136
- 2,650,421 9/1953 Wietzel .
- 3,338,657 8/1967 Ristorcelli .
- 3,391,459 7/1968 Rollo .
- 3,638,665 2/1972 Staffas, Sr. .
- 3,711,948 * 1/1973 Ford et al. 30/212

FIG. 1 is a perspective view of a comb cutter for hair embodying my new design showing left side front and top view thereof;

FIG. 2 is a left side elevational view thereof;

FIG. 3 is a top view thereof;

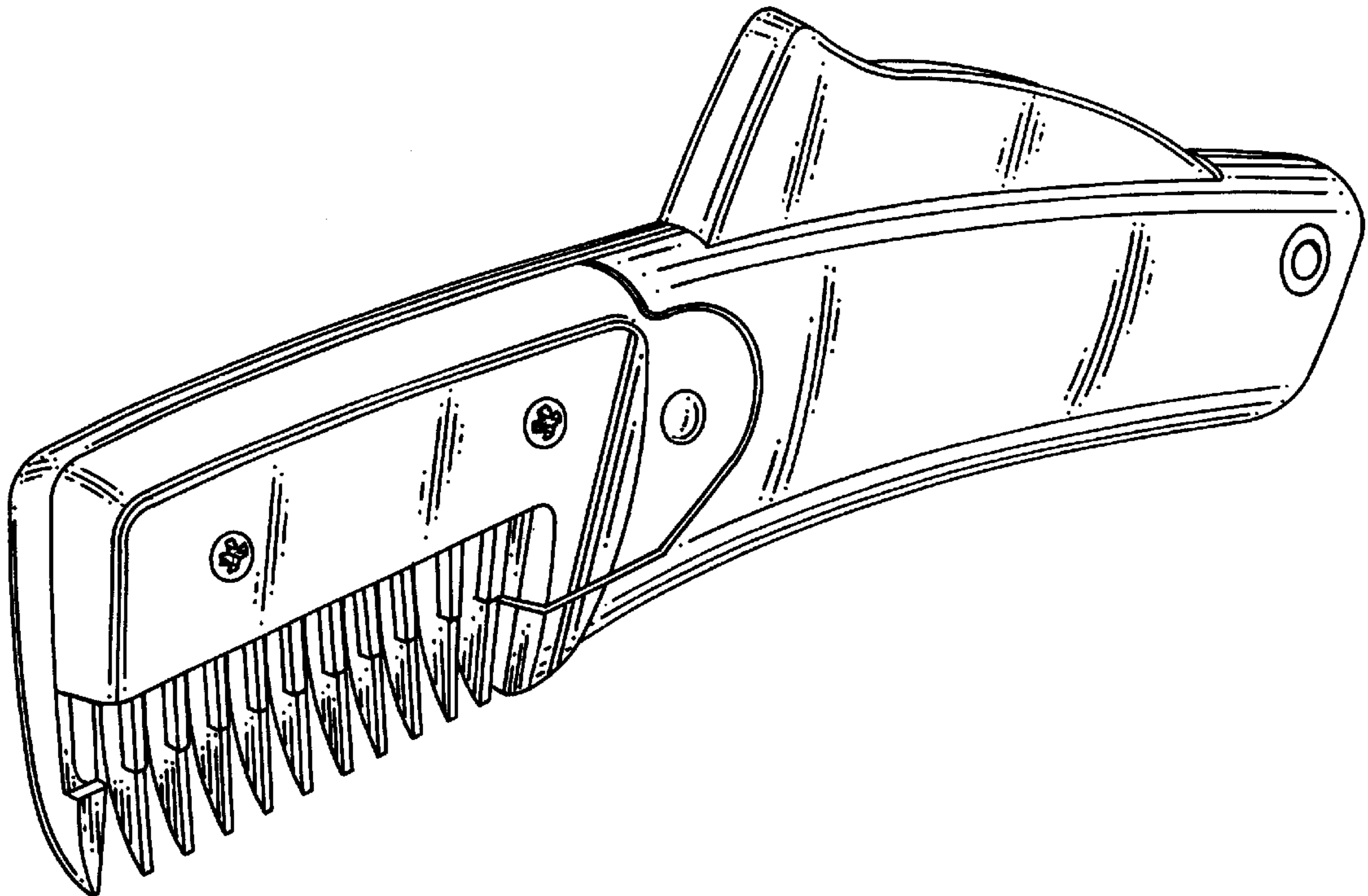
FIG. 4 is a right side elevational view thereof;

FIG. 5 is a bottom view thereof;

FIG. 6 is a front view thereof; and,

FIG. 7 is a rear view thereof.

1 Claim, 4 Drawing Sheets



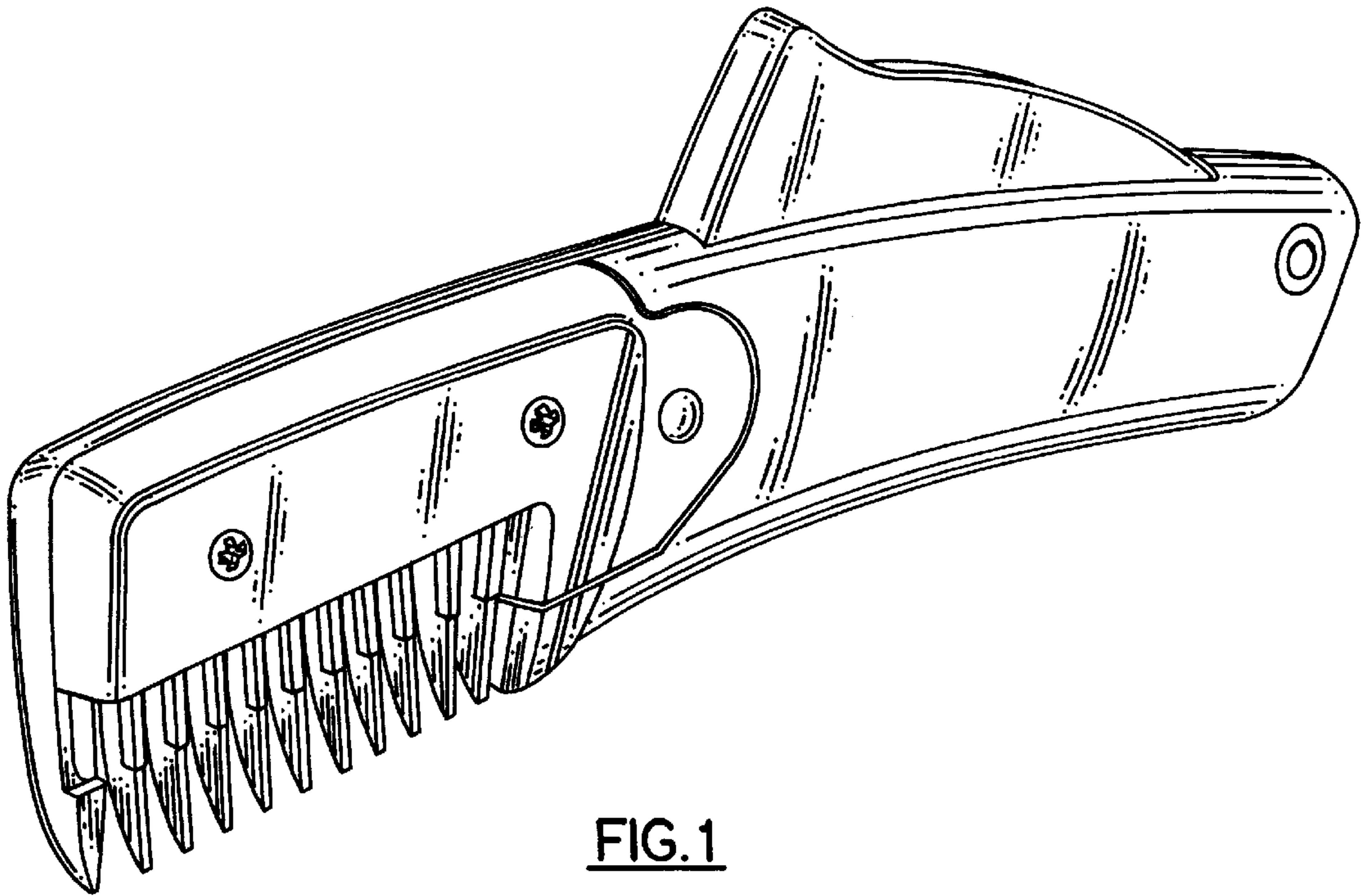


FIG. 1

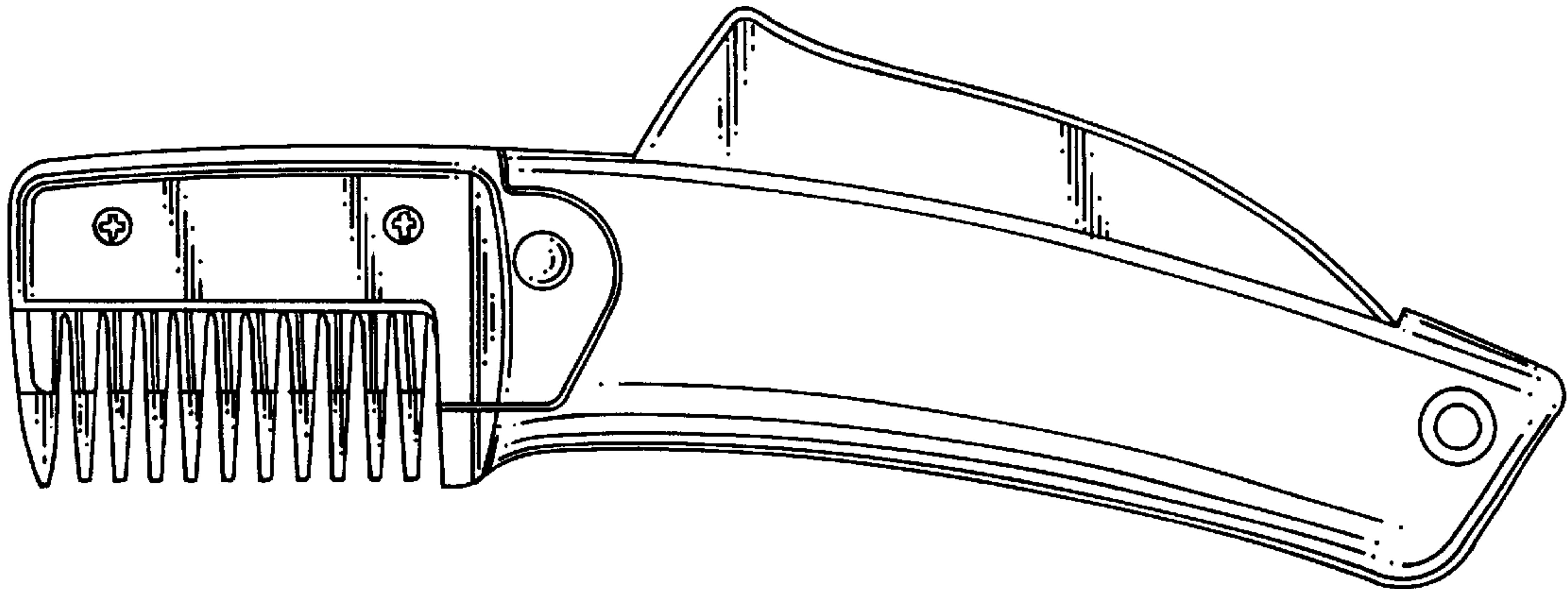


FIG. 2

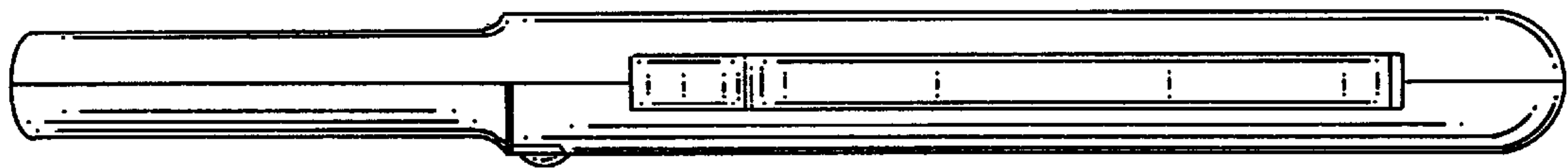


FIG. 3

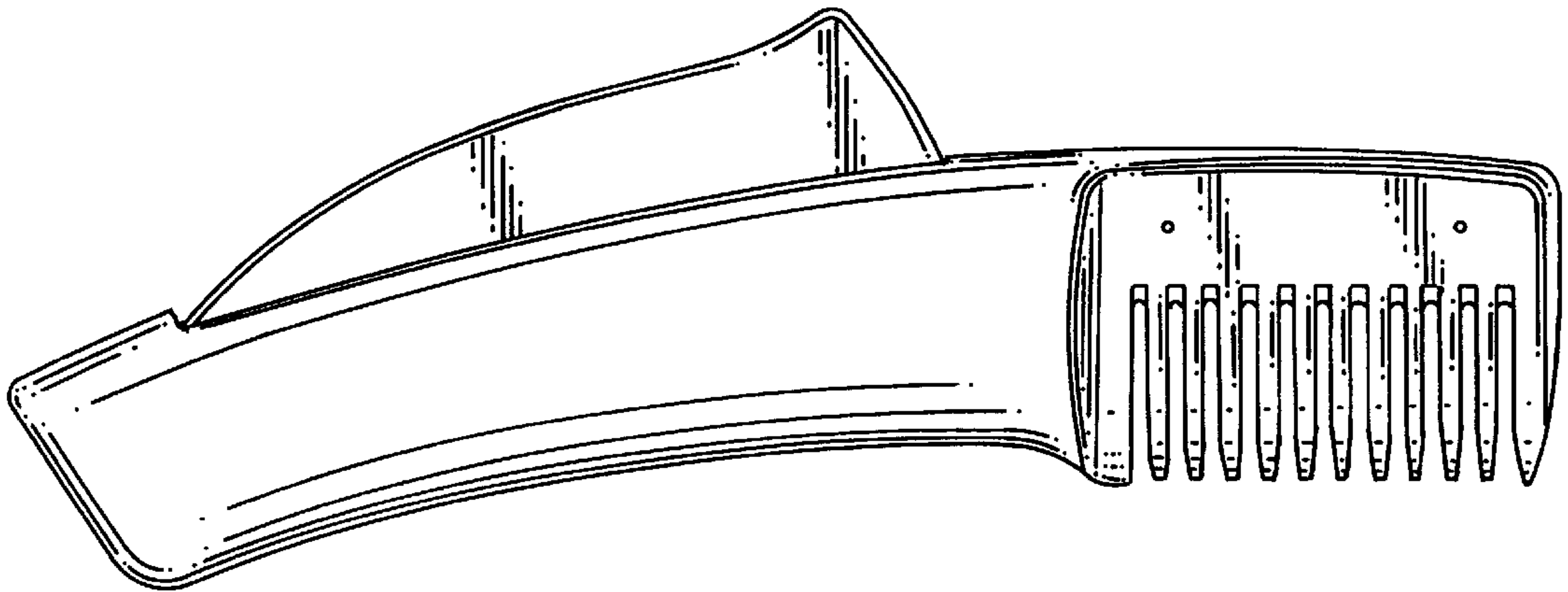


FIG. 4

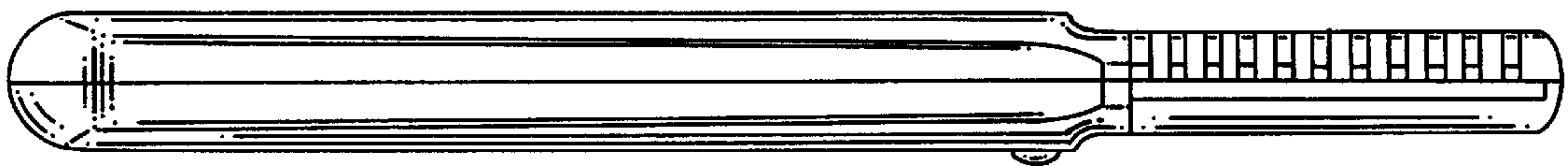


FIG. 5

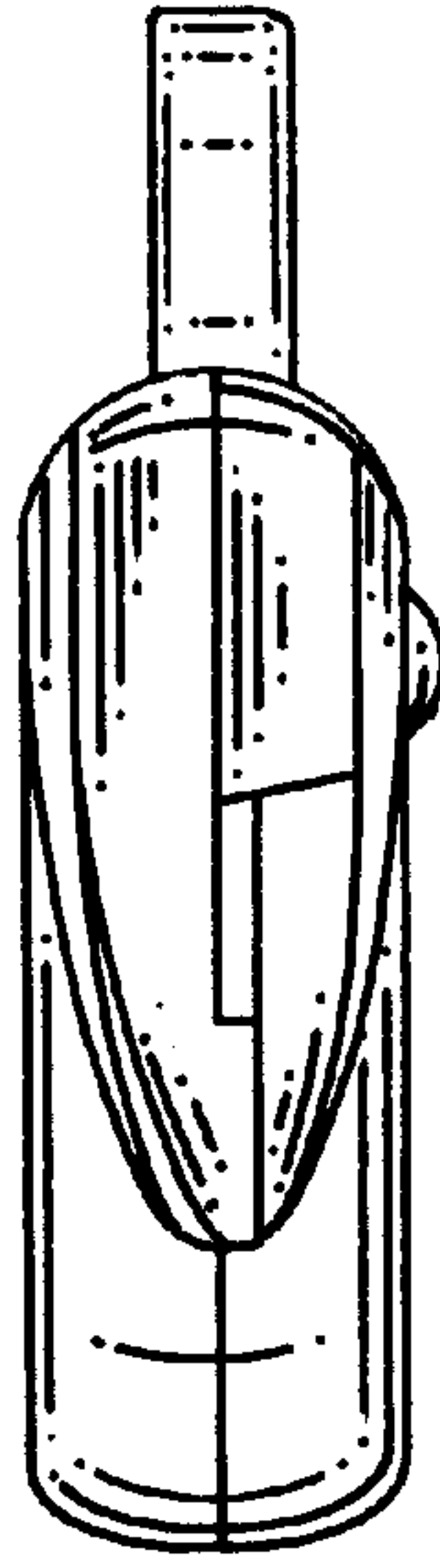


FIG. 6

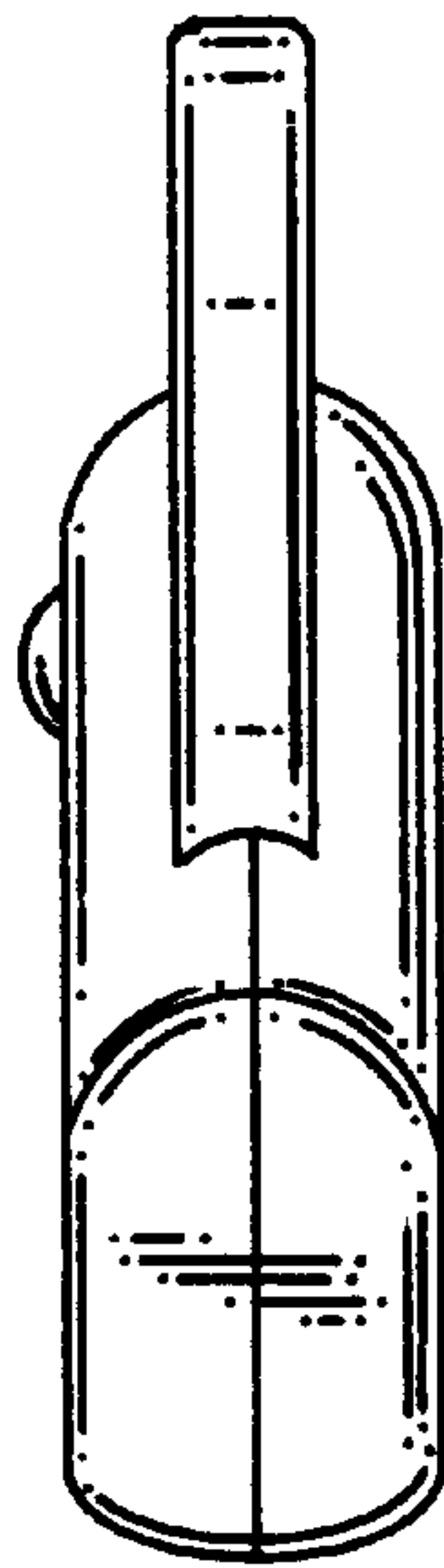


FIG. 7