



US00D448112B1

(12) **United States Design Patent**
Smith

(10) **Patent No.:** **US D448,112 S**

(45) **Date of Patent:** **** Sep. 18, 2001**

(54) **CIGARETTE LIGHTER**

D. 437,085 * 1/2001 Lee D27/141

(75) Inventor: **Andrew D. Smith**, Pascoag, RI (US)

* cited by examiner

(73) Assignee: **Colibri Corporation**, Providence, RI (US)

Primary Examiner—Susan J. Lucas

Assistant Examiner—Jennifer Rivard

(74) *Attorney, Agent, or Firm*—Salter & Michaelson

(**) Term: **14 Years**

(57) **CLAIM**

(21) Appl. No.: **29/133,311**

The ornamental design for a cigarette lighter, as shown and described.

(22) Filed: **Nov. 28, 2000**

DESCRIPTION

(51) **LOC (7) Cl.** **27-05**

(52) **U.S. Cl.** **D27/157**

(58) **Field of Search** D27/141, 154,
D27/155, 157, 160; 431/129, 130, 132,
142–144, 151, 254–256, 267, 273, 274,
277

FIG. 1 is a perspective view of a cigarette lighter showing my new design;

FIG. 2 is a right side elevational view thereof;

FIG. 3 is a left side elevational view thereof;

FIG. 4 is a rear side view thereof;

FIG. 5 is a front side view thereof;

FIG. 6 is a top plan view thereof;

FIG. 7 is a bottom plan view thereof; and,

FIG. 8 is a perspective view showing the cover of the lighter in open position.

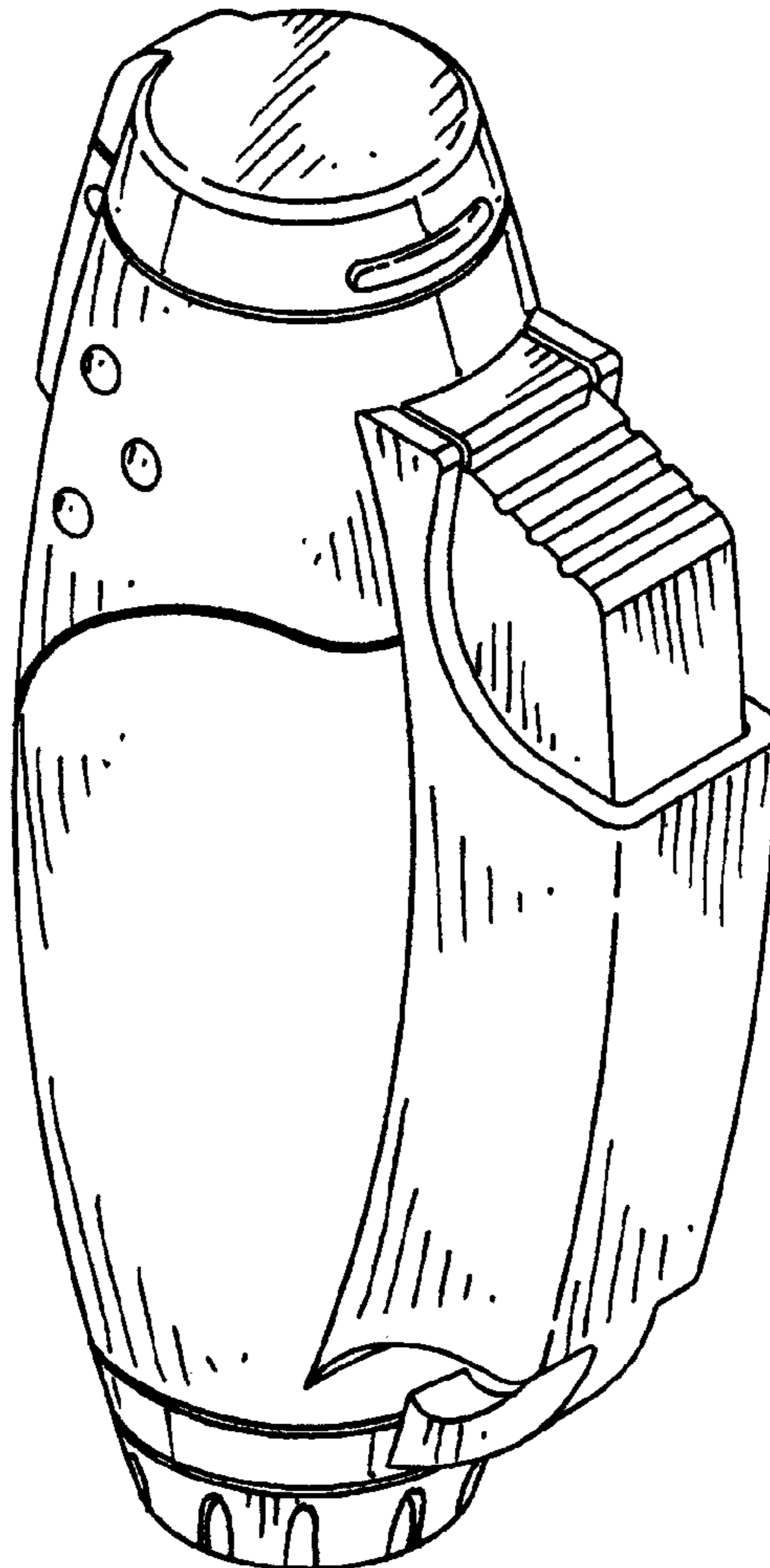
(56) **References Cited**

U.S. PATENT DOCUMENTS

D. 217,831 * 6/1970 Racek D27/157

D. 428,523 * 7/2000 Chen D27/141

1 Claim, 4 Drawing Sheets



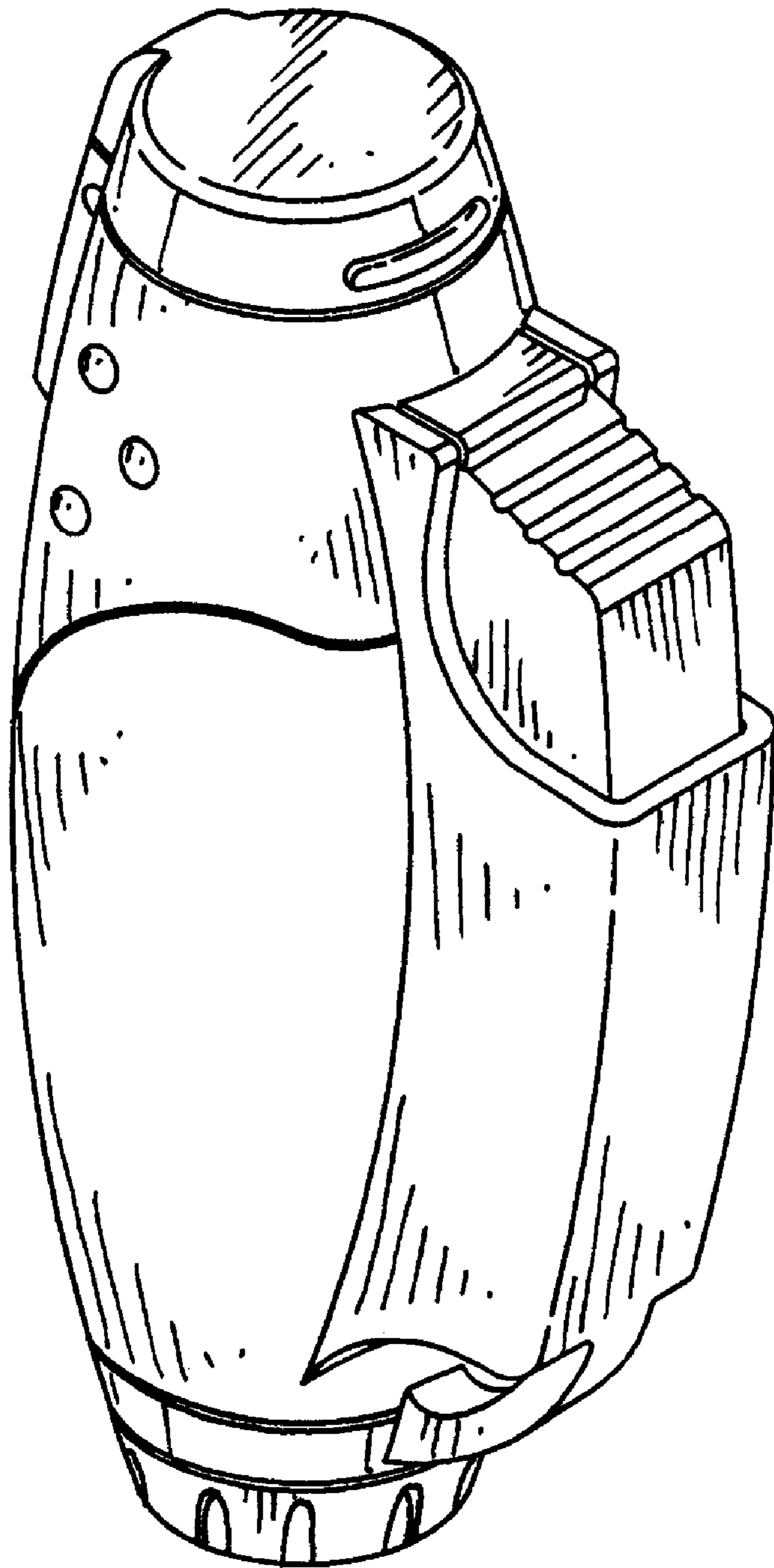


FIG. 1

FIG. 2

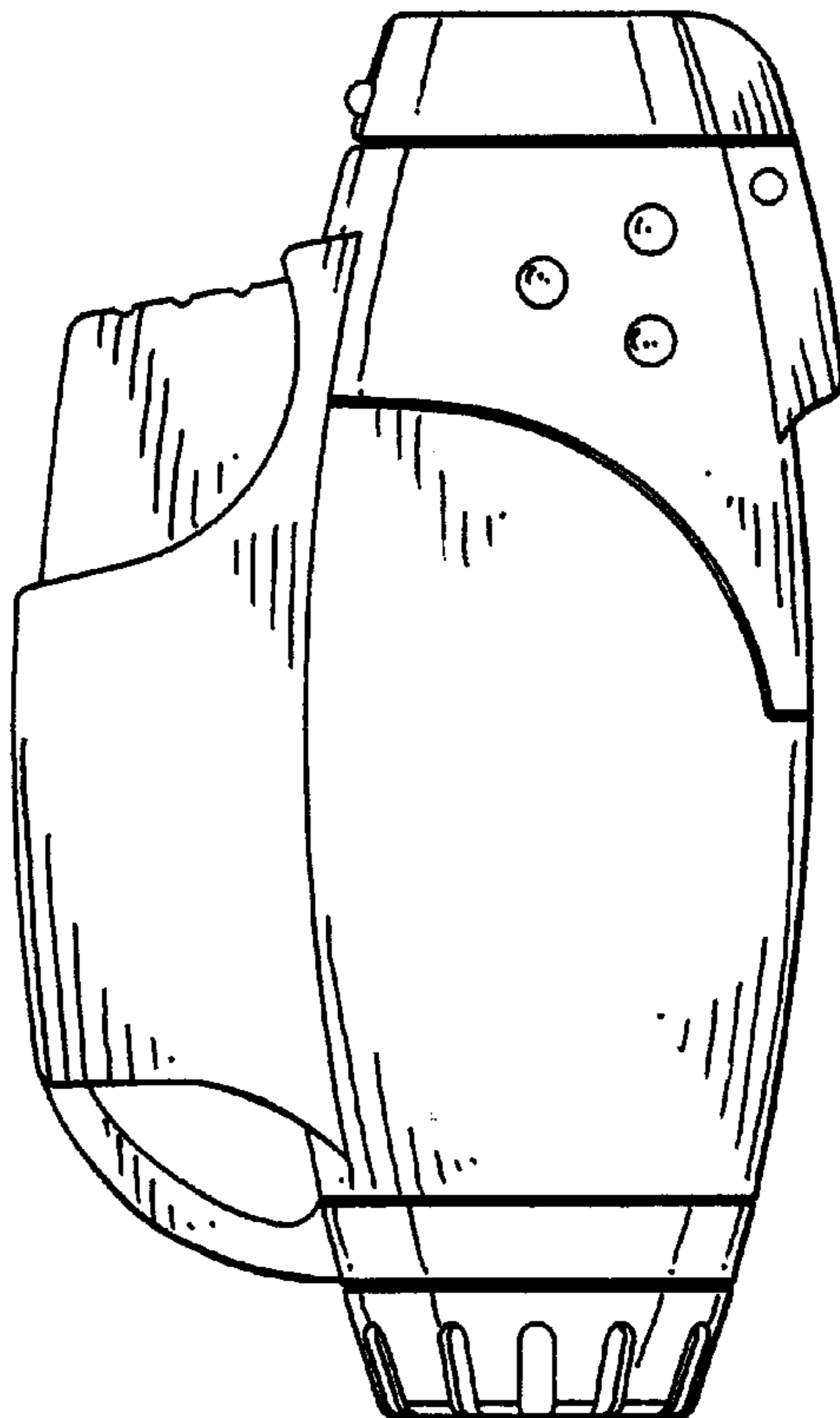
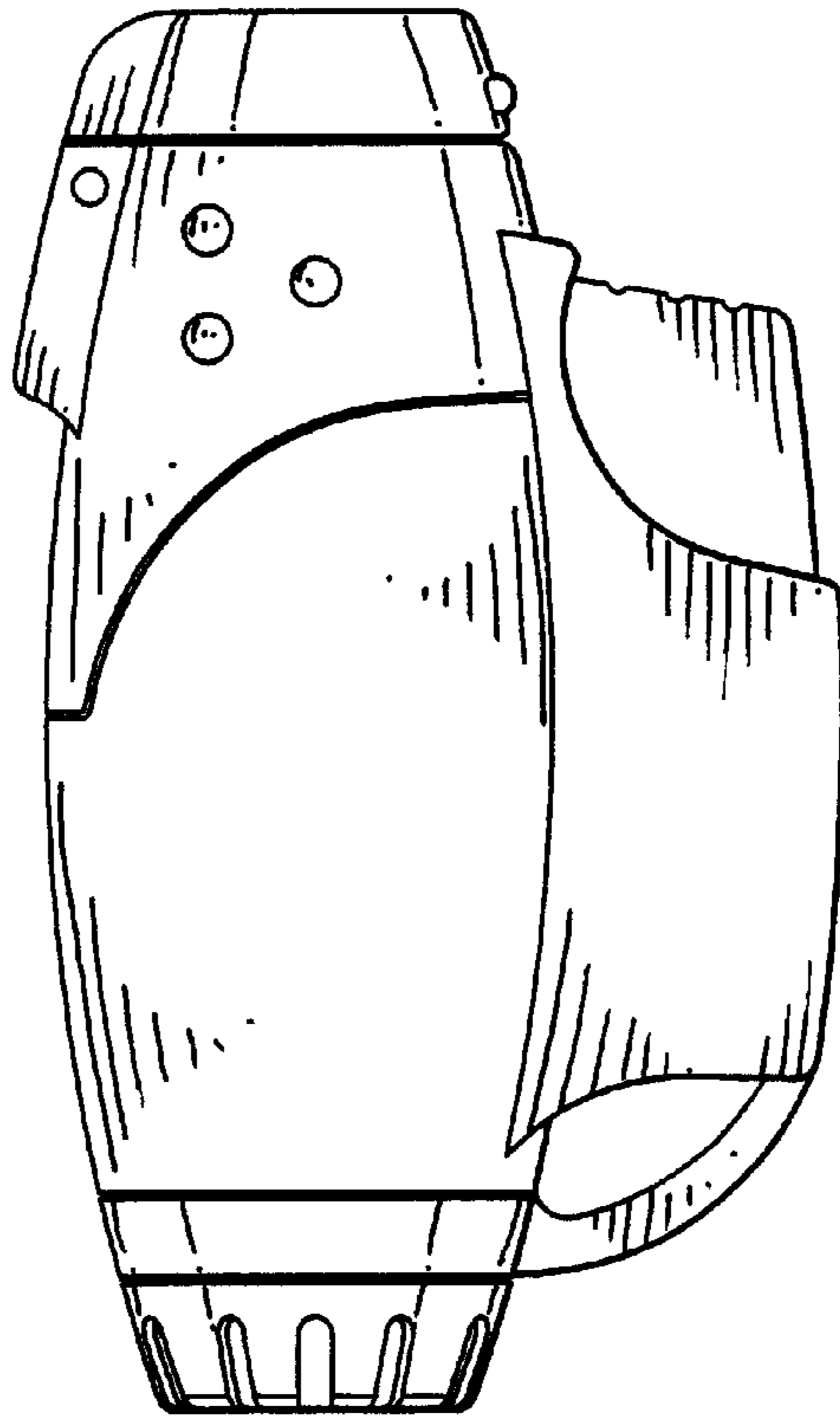


FIG. 3

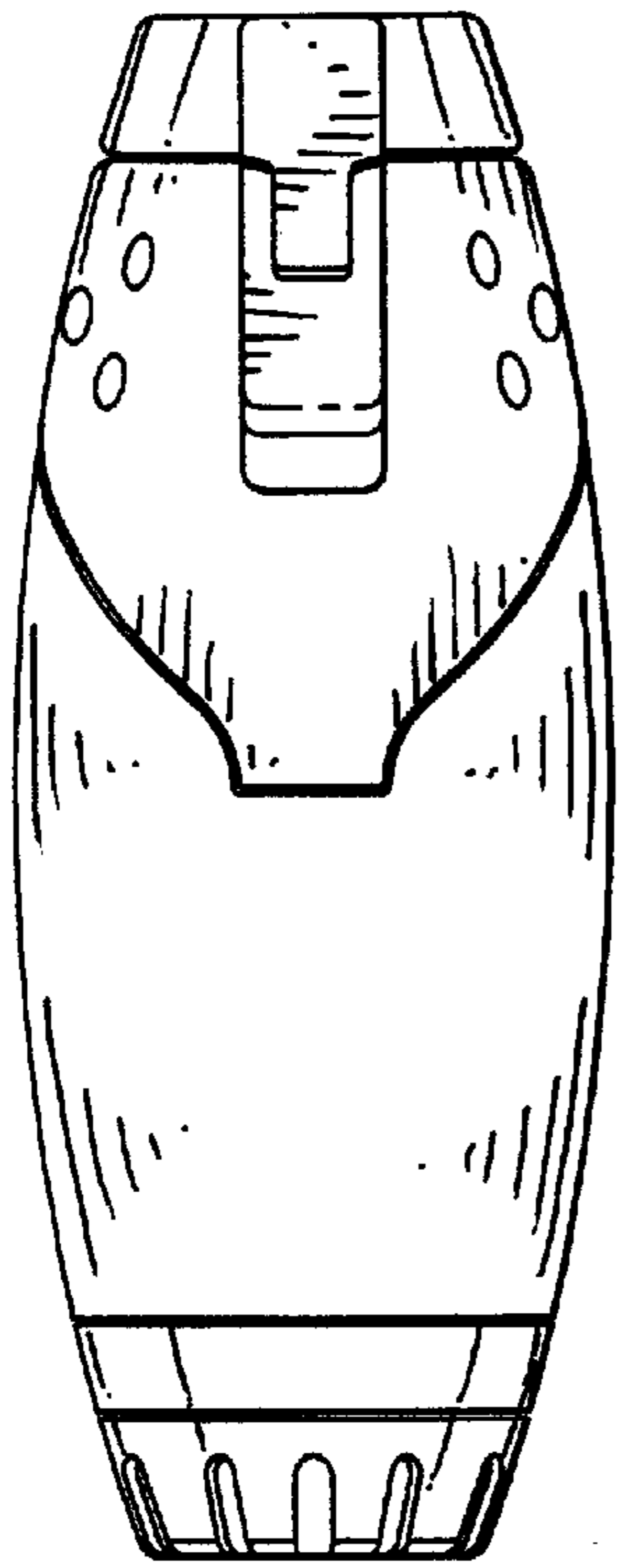


FIG. 4

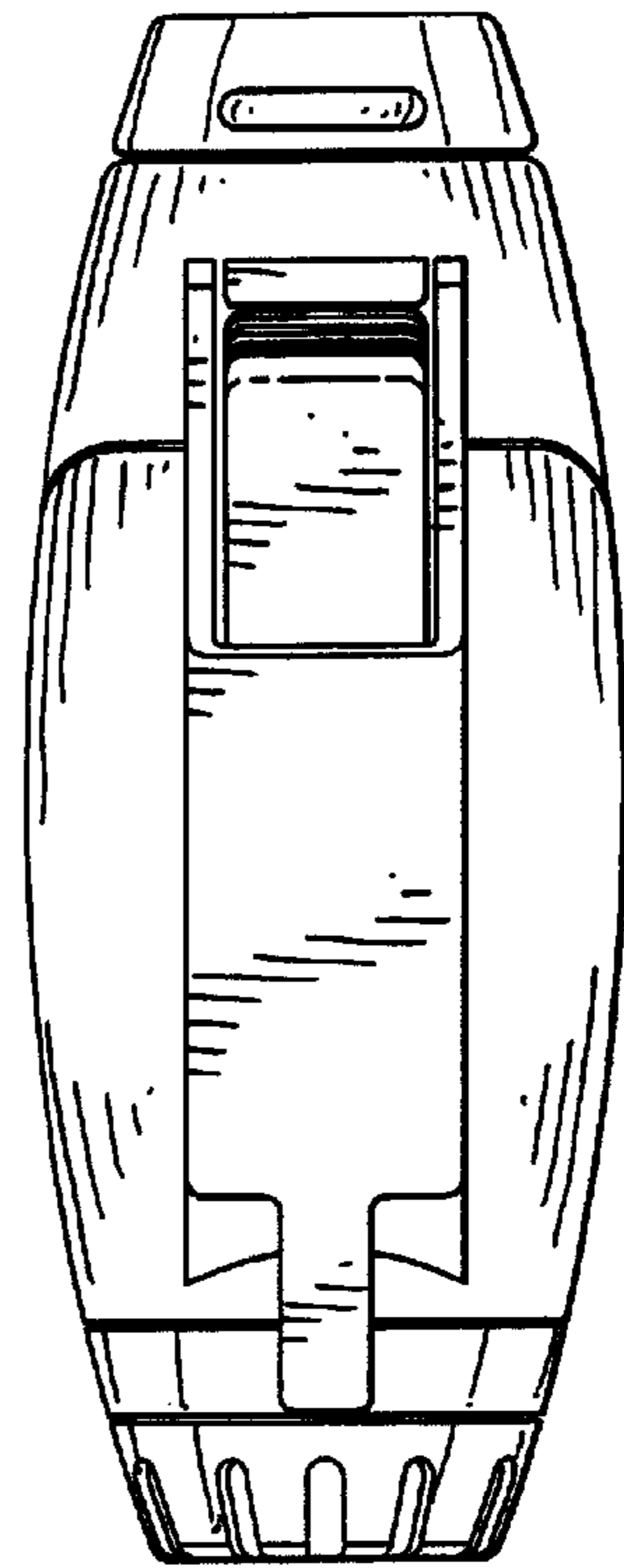


FIG. 5

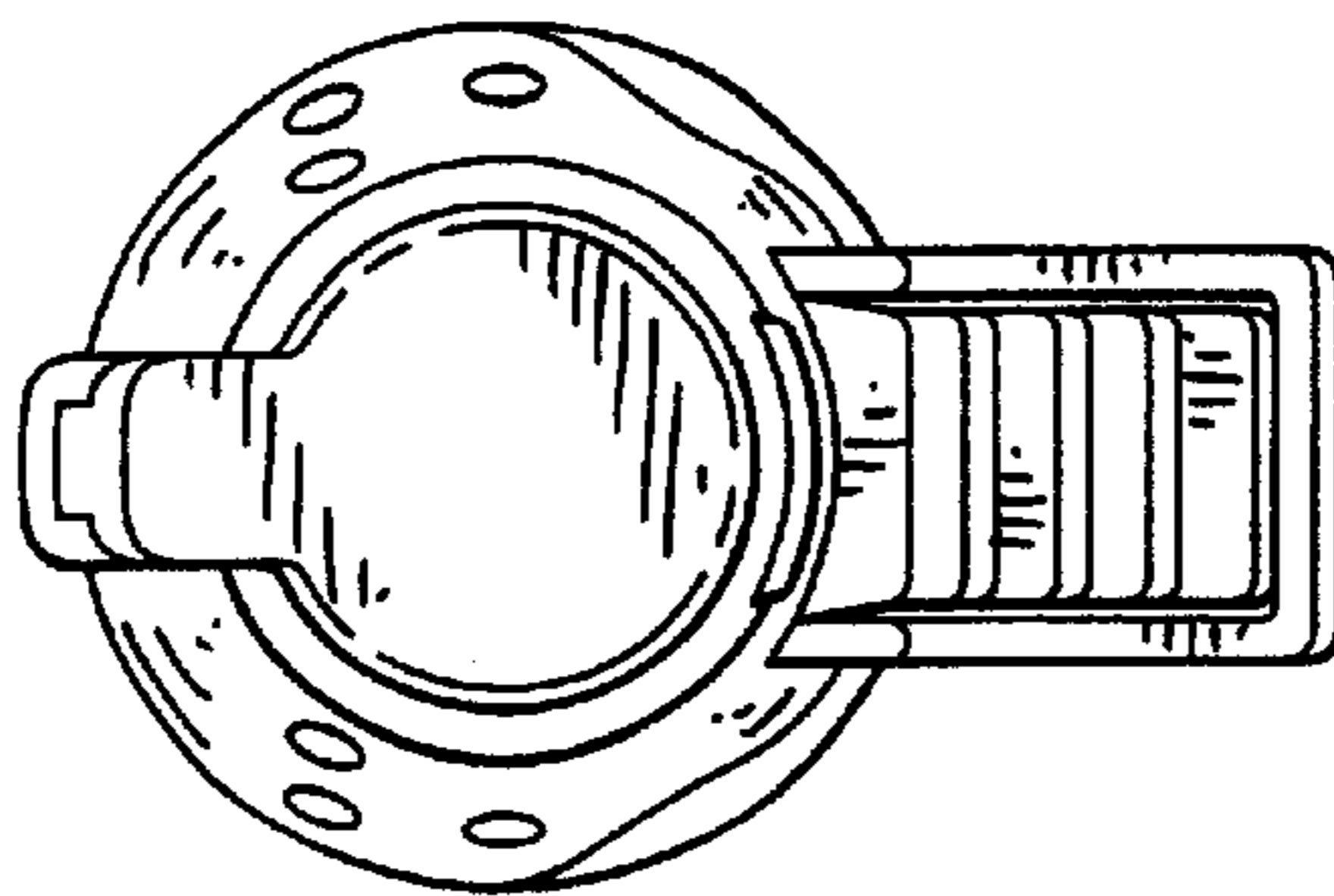


FIG. 6

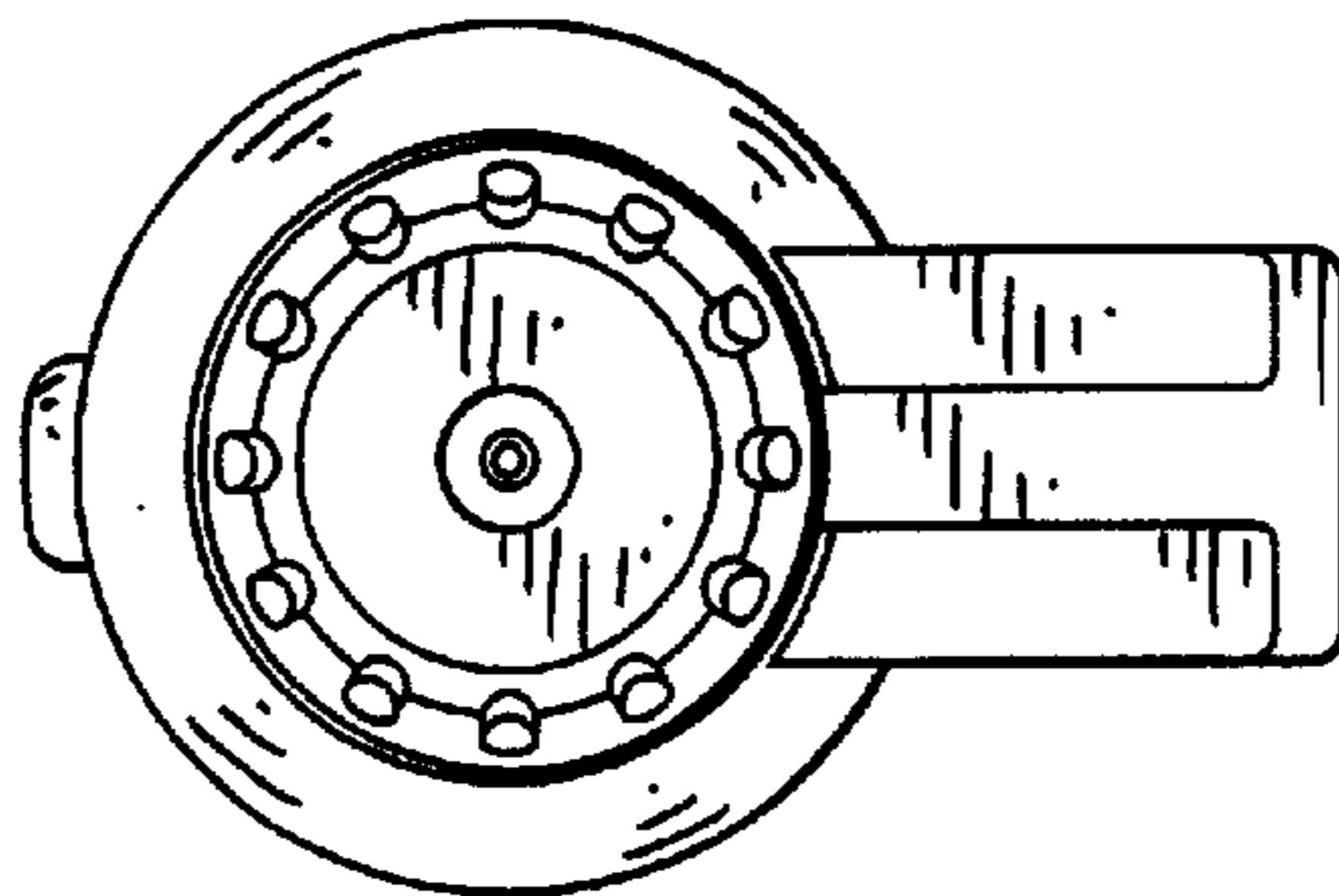


FIG. 7

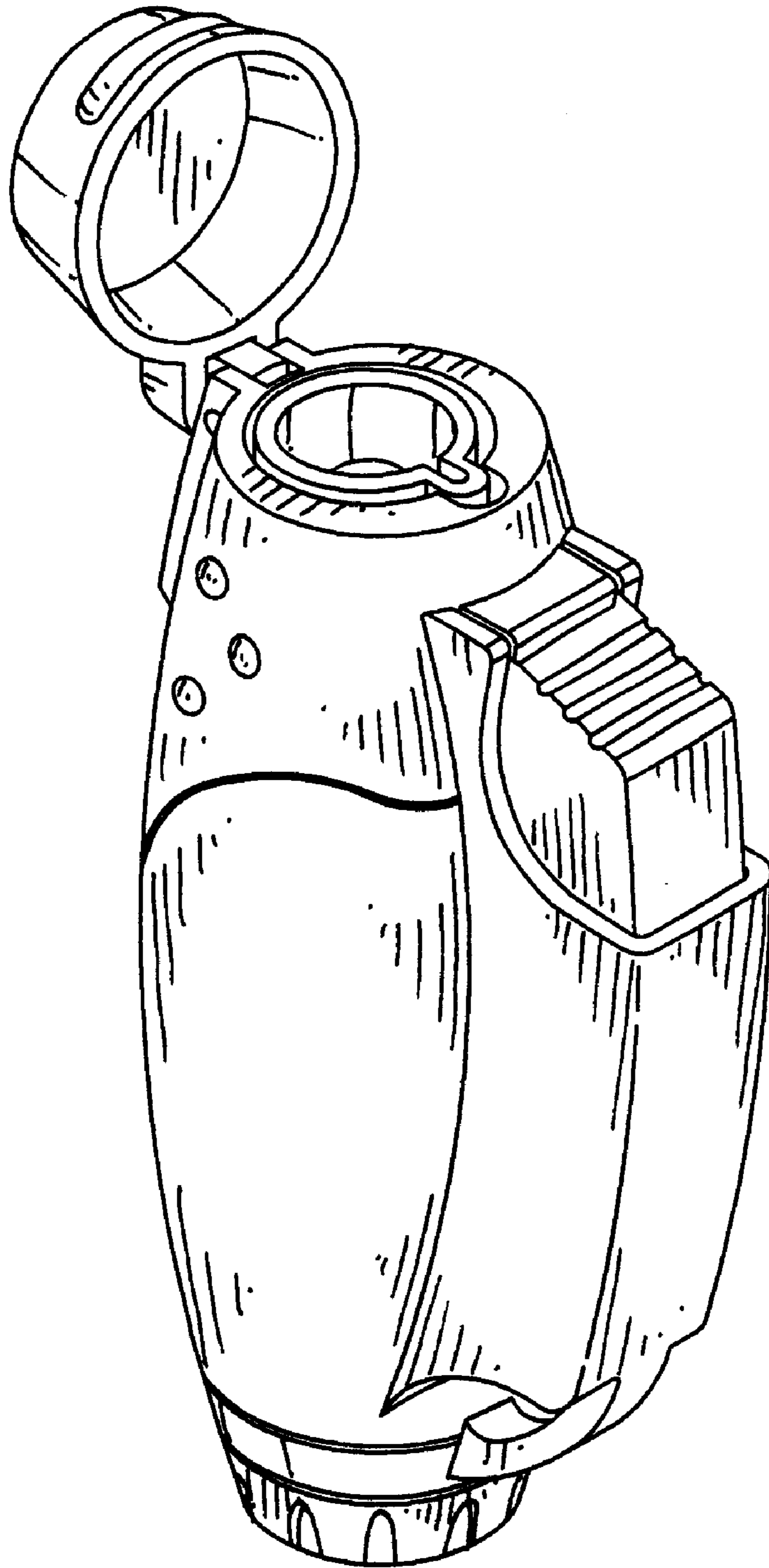


FIG. 8