



US00D448107B1

(12) **United States Design Patent**
Swanson

(10) **Patent No.:** **US D448,107 S**

(45) **Date of Patent:** **** Sep. 18, 2001**

(54) **TORCHIERE FLOOR LAMP**

D. 426,009 * 5/2000 Swanson D26/65

(75) **Inventor:** **Dennis K. Swanson**, Woodland Hills,
CA (US)

OTHER PUBLICATIONS

Taiwan Lighting, floor lamps on p. 104, Aug. 1993.*

(73) **Assignee:** **Lamps Plus, Inc.**, Chatsworth, CA
(US)

* cited by examiner

(**) **Term:** **14 Years**

Primary Examiner—Alan P. Douglas

Assistant Examiner—Linda Brooks

(21) **Appl. No.:** **29/111,437**

(74) *Attorney, Agent, or Firm*—Fulbright & Jaworski L.L.P.

(22) **Filed:** **Sep. 28, 1999**

(57) **CLAIM**

The ornamental design for a torchiere floor lamp, substantially as shown and described.

(51) **LOC (7) Cl.** **26-03**

(52) **U.S. Cl.** **D26/102**

(58) **Field of Search** D26/61–65, 92–112,
D26/142; 362/410–414, 418, 419, 427,
250, 269, 277, 287

DESCRIPTION

FIG. 1 is a perspective view of a torchiere floor lamp of the present invention;

FIG. 2 is a front elevational view thereof;

FIG. 3 is a rear elevational view thereof;

FIG. 4 is a right side view thereof;

FIG. 5 is a left side view thereof;

FIG. 6 is a top view thereof; and,

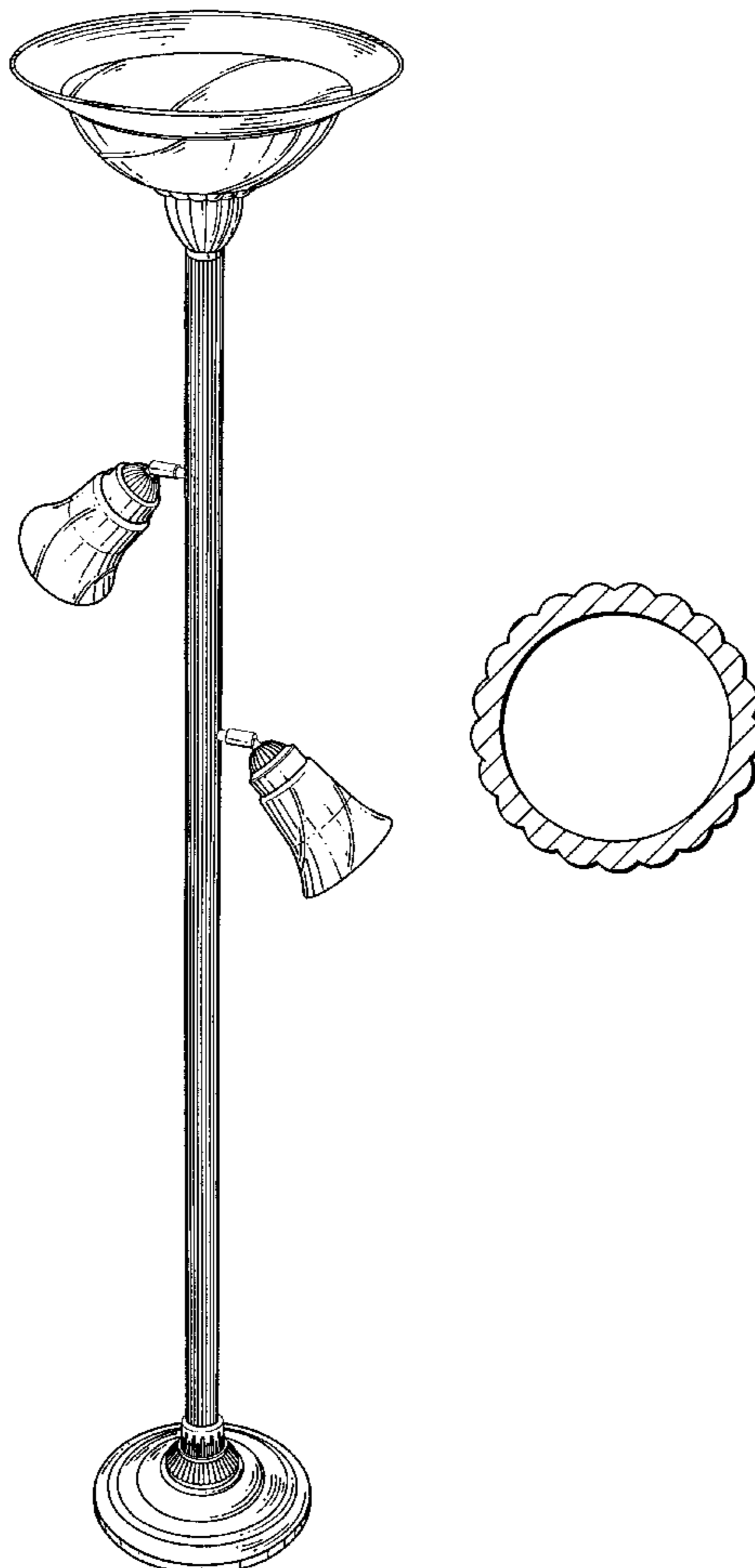
FIG. 7 is a section view taken along line 7—7 in FIG. 2.

(56) **References Cited**

U.S. PATENT DOCUMENTS

- D. 353,904 * 12/1994 Swanson D26/63
- D. 370,286 * 5/1996 Swanson D26/63
- D. 381,759 * 7/1997 Yeh D26/106
- D. 389,934 * 1/1998 Yeh D26/65
- D. 399,334 * 10/1998 Lo D26/102

1 Claim, 3 Drawing Sheets



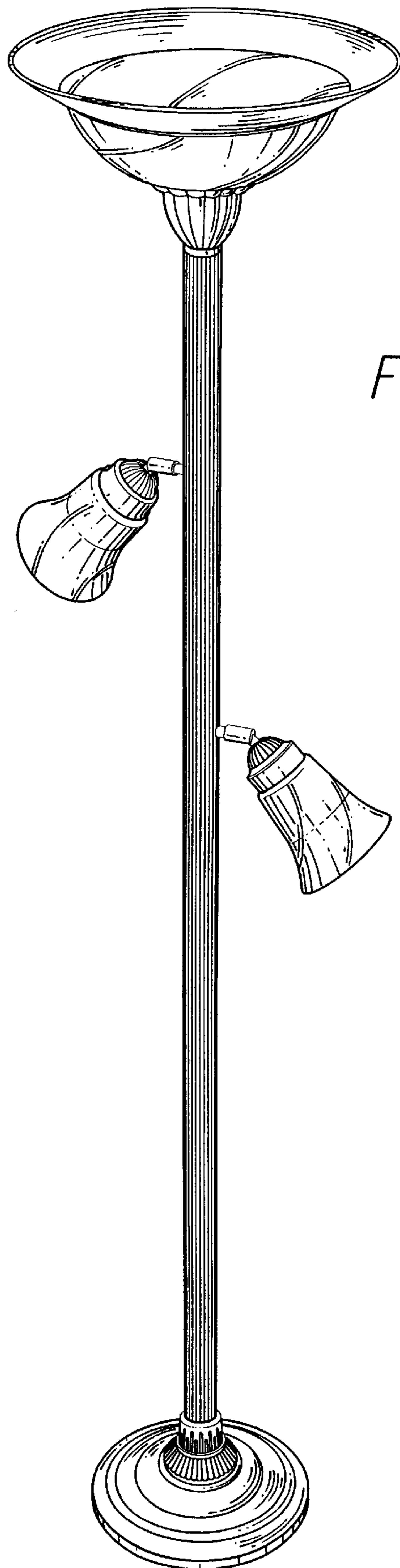


FIG. 1

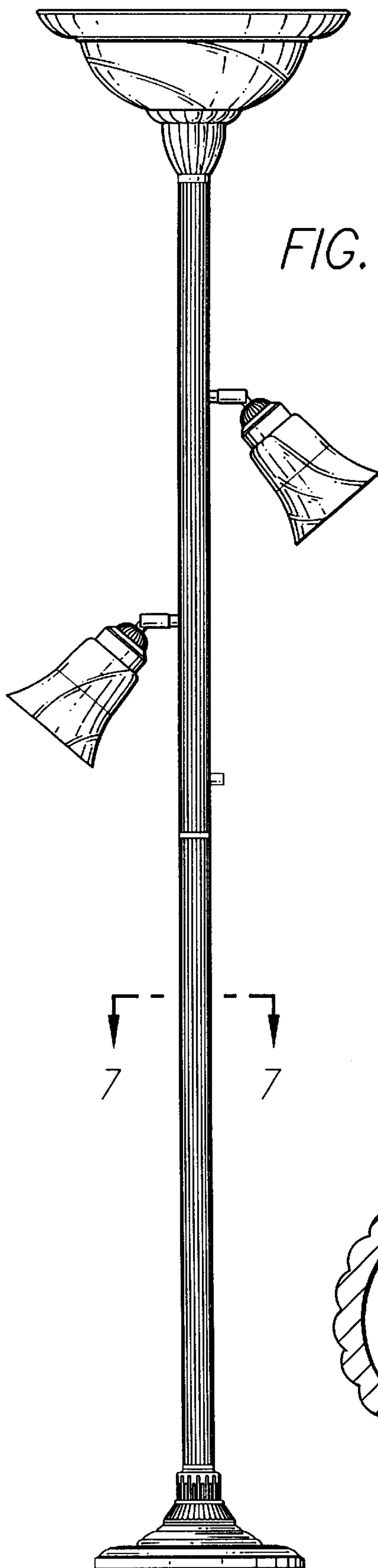


FIG. 2

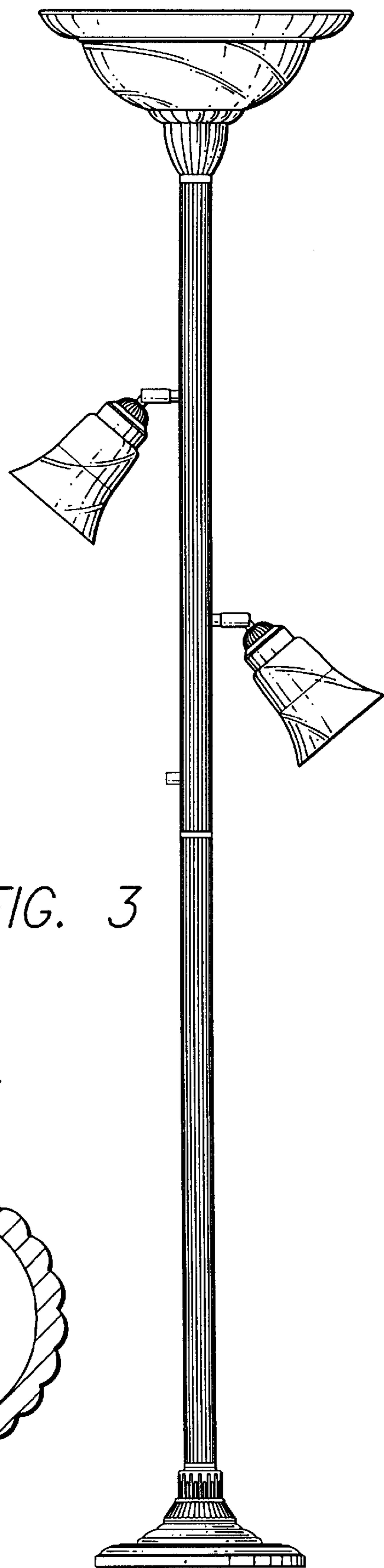


FIG. 3

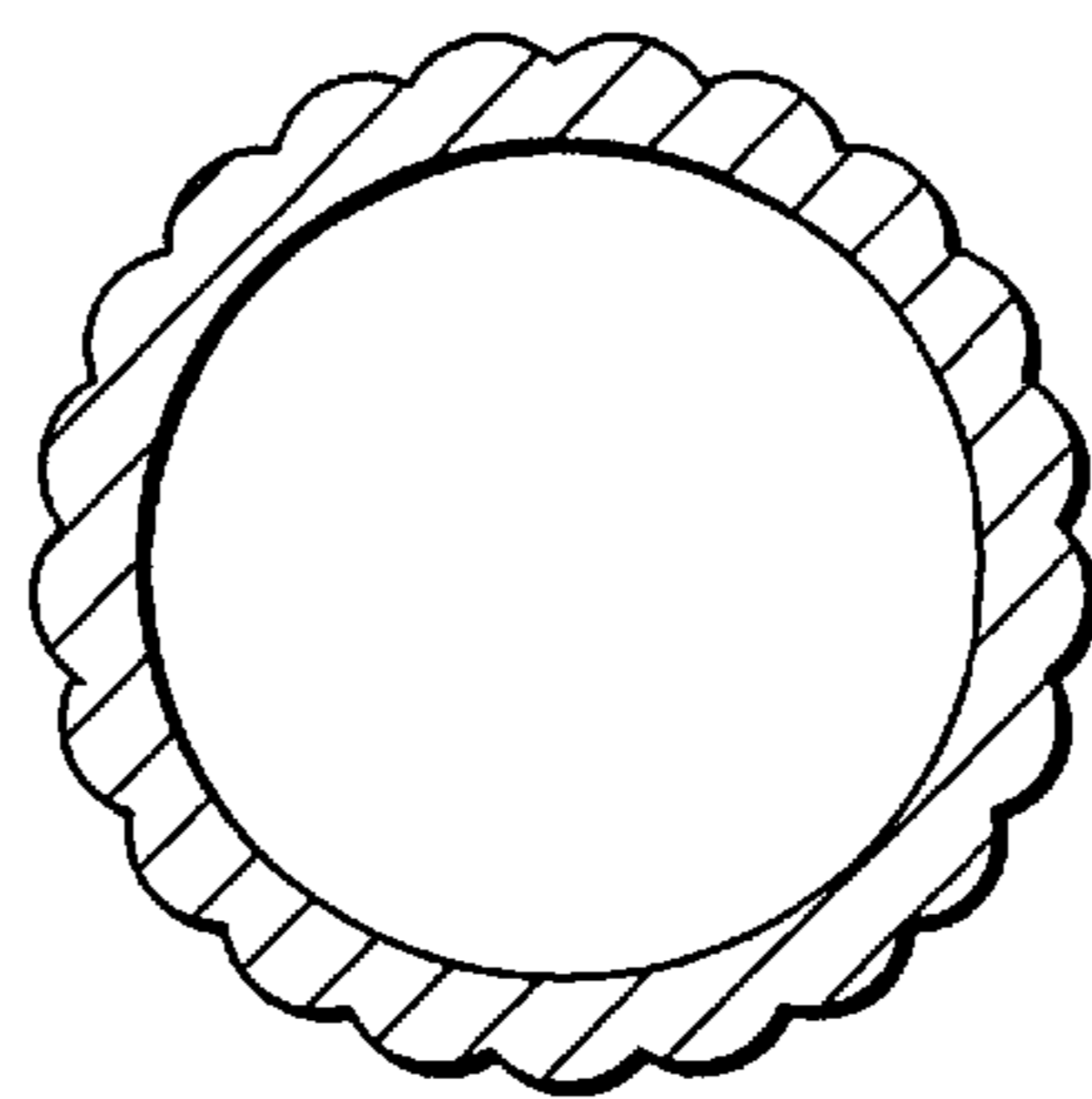


FIG. 7

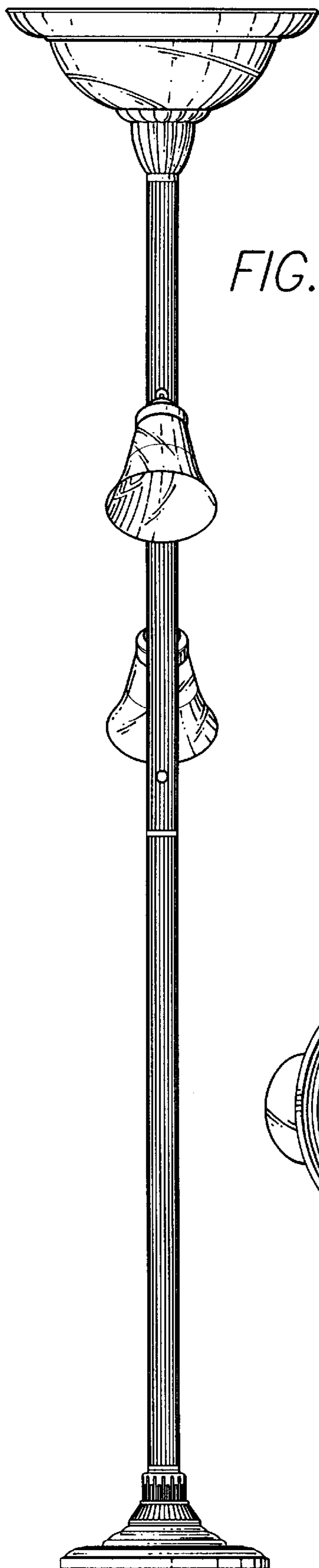


FIG. 4

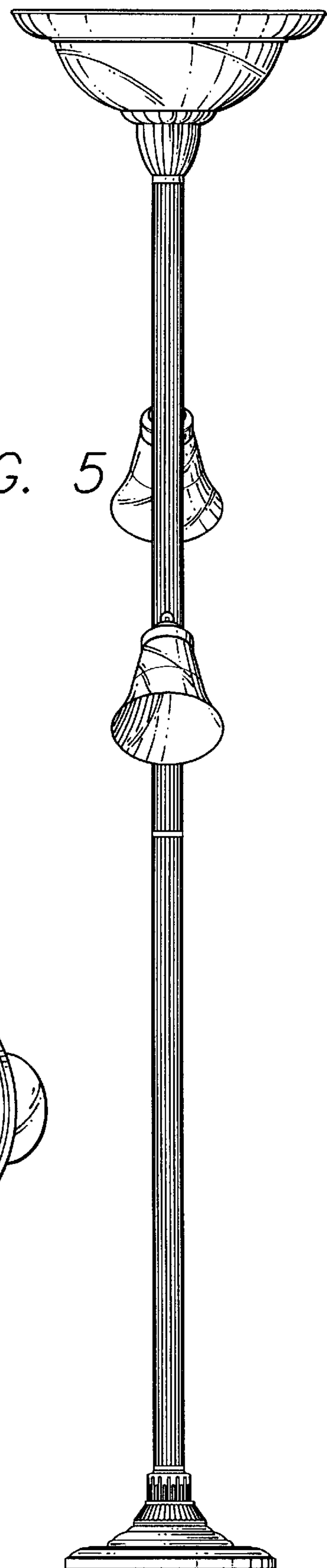


FIG. 5

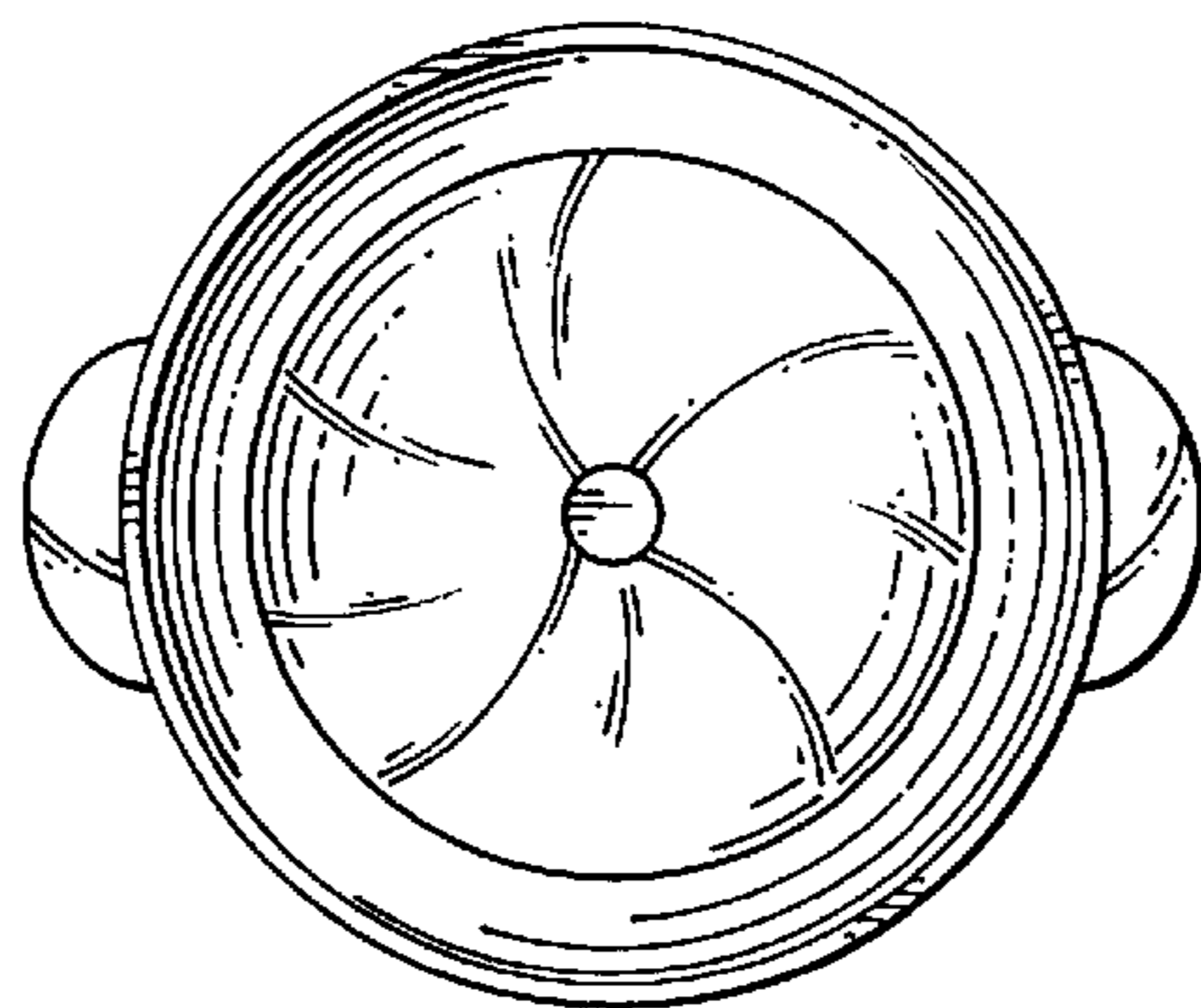


FIG. 6