



US00D448106B1

(12) **United States Design Patent**
Lin

(10) **Patent No.:** **US D448,106 S**

(45) **Date of Patent:** **** Sep. 18, 2001**

(54) **WALL LAMP**

Primary Examiner—Susan J. Lucas

(74) *Attorney, Agent, or Firm*—Dougherty & Troxell

(76) Inventor: **Michael Lin**, 8F.,No.,659, Chung
Cheng Rd., Hsinchuang, Taipei Hsien
(TW)

(57) **CLAIM**

(**) Term: **14 Years**

The ornamental design for a wall lamp, as shown and
Described.

(21) Appl. No.: **29/136,118**

DESCRIPTION

(22) Filed: **Jan. 26, 2001**

(51) **LOC (7) Cl.** **26-05**

FIG. 1 is a perspective view

(52) **U.S. Cl.** **D26/87**

FIG. 2 is a front view thereof

(58) **Field of Search** D26/87, 92; 362/147,
362/432

FIG. 3 is a Top plan view thereof

FIG. 4 is a bottom plan view thereof

FIG. 5 is a rear view thereof

(56) **References Cited**

PUBLICATIONS

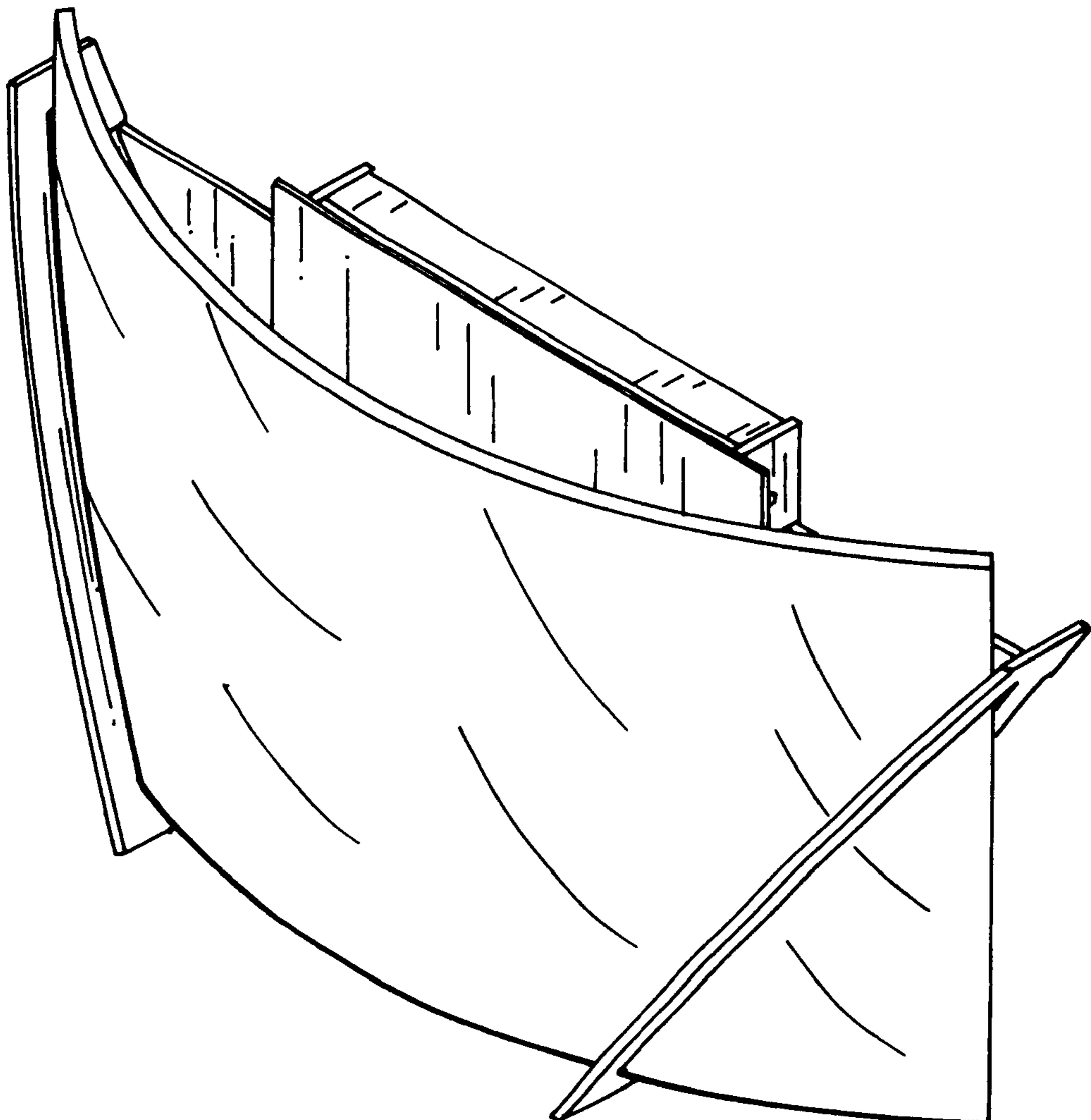
Hinkley lighting catalog, 1990, p. 44, wall lamp #3332.*
Home Lighting and Accessories, Mar. 1998, p. 20, wall
lamp, top right.*

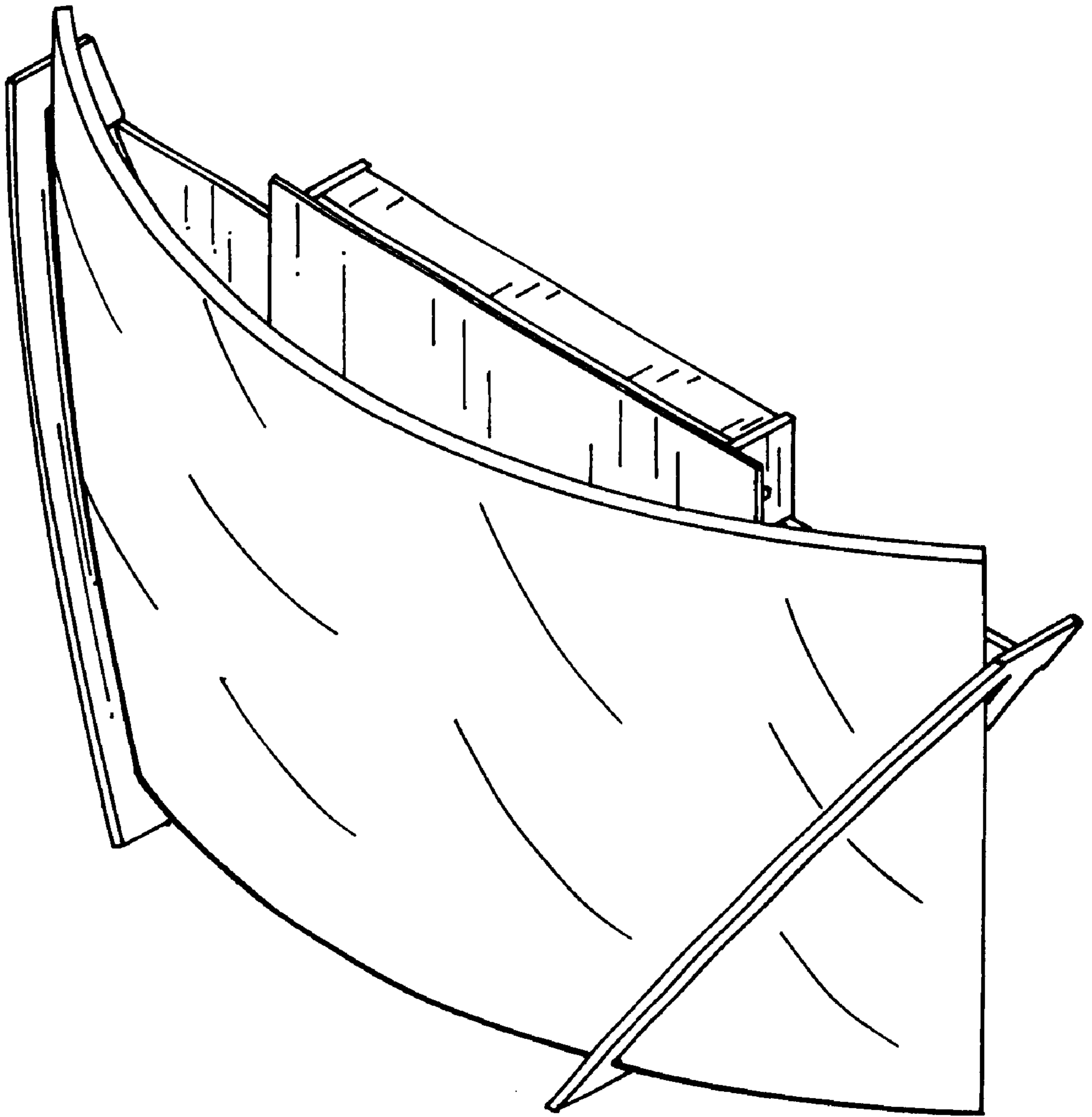
FIG. 6 is a left side elevational view thereof; and,

FIG. 7 is a right side elevational view thereof.

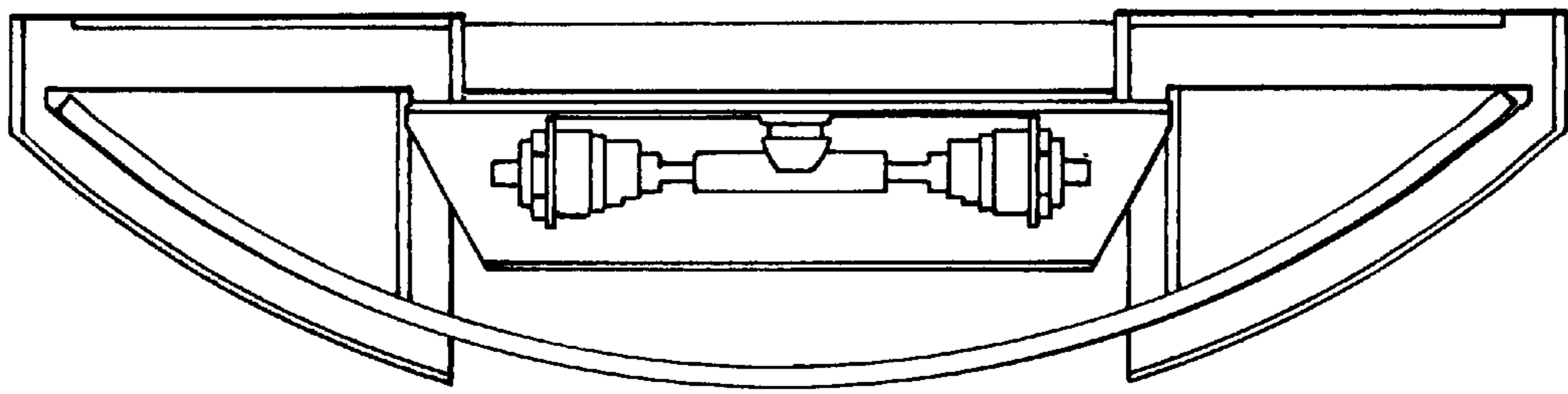
* cited by examiner

1 Claim, 3 Drawing Sheets

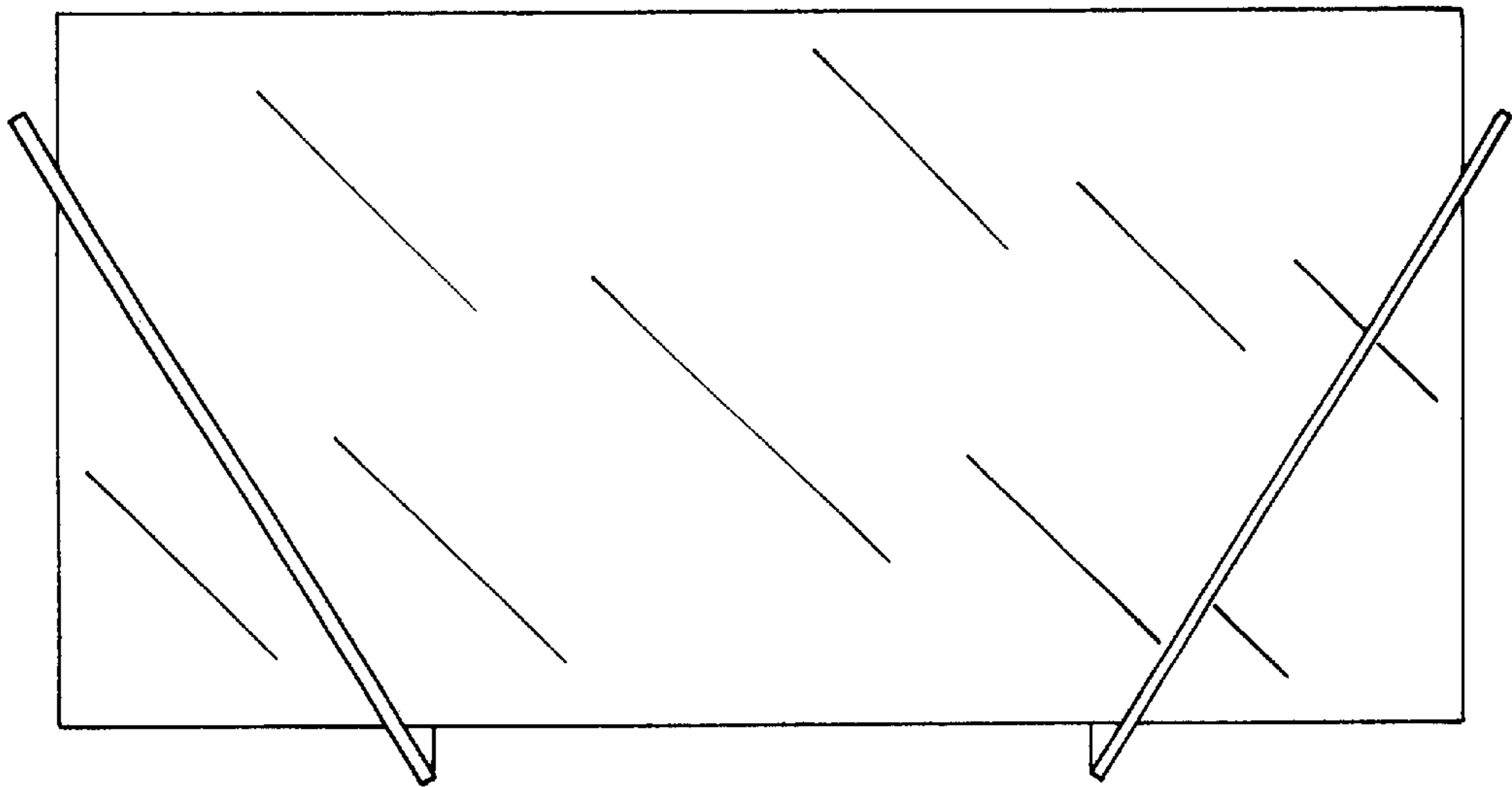




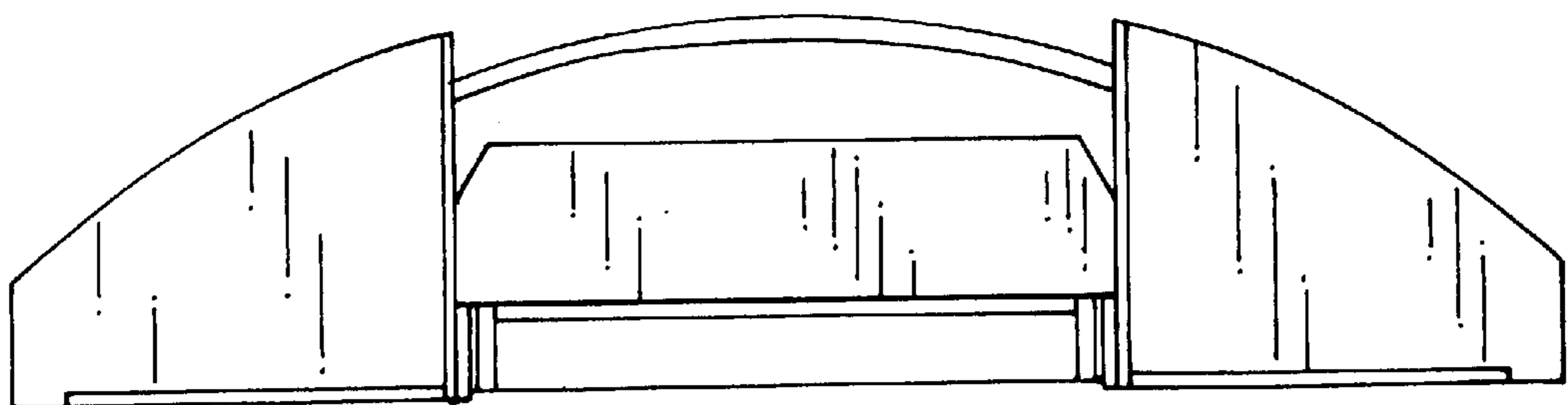
F i g . 1



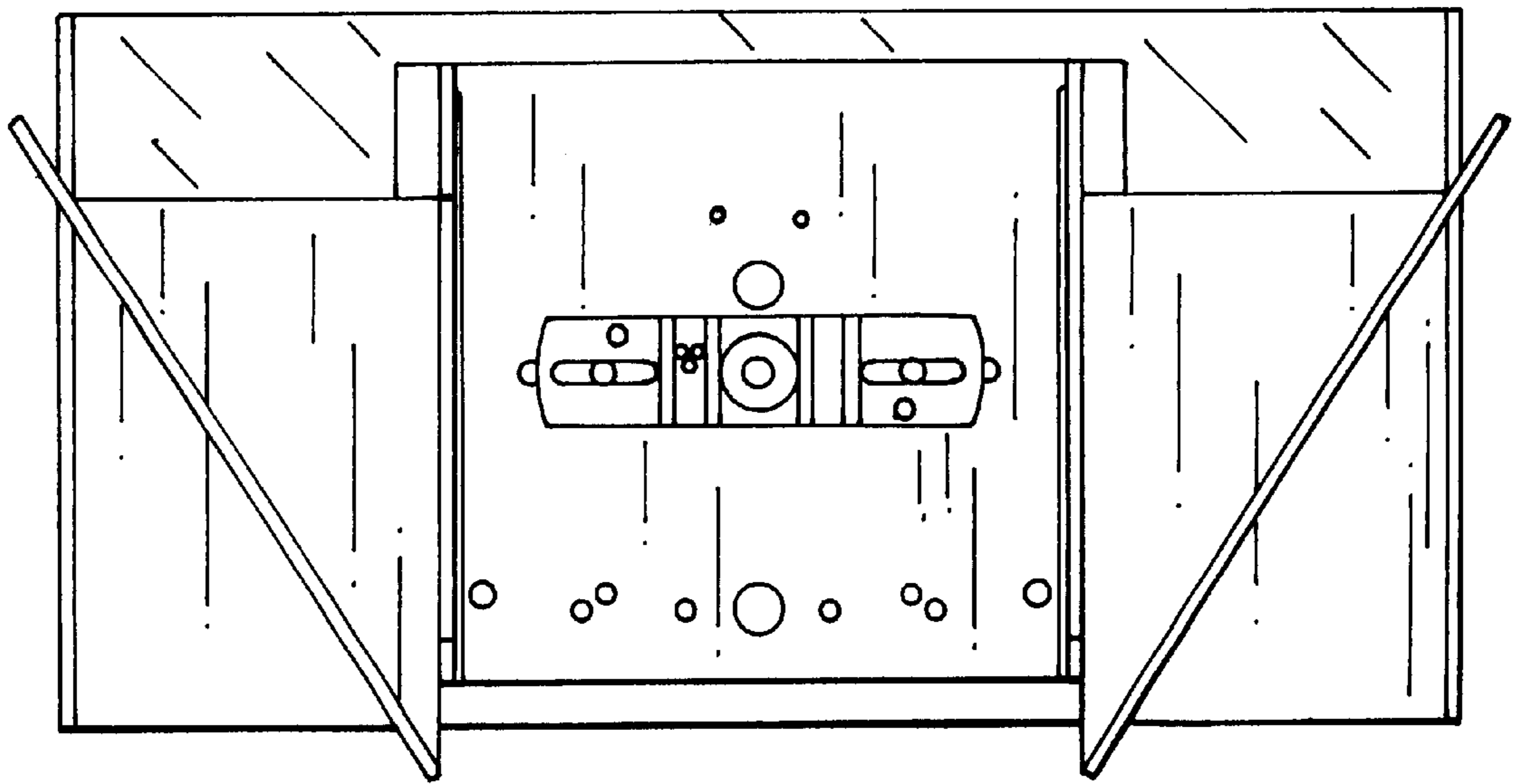
F i g . 3



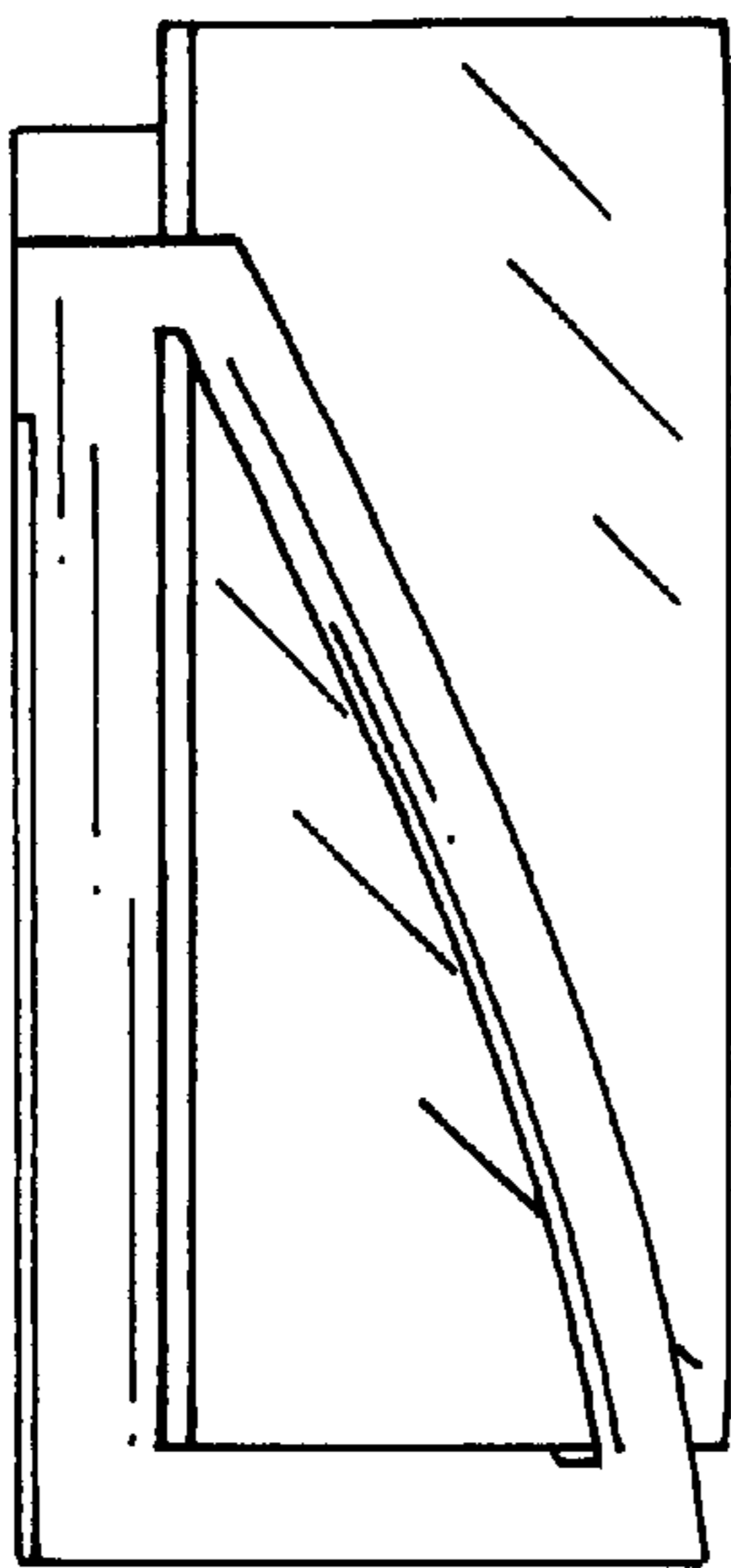
F i g . 2



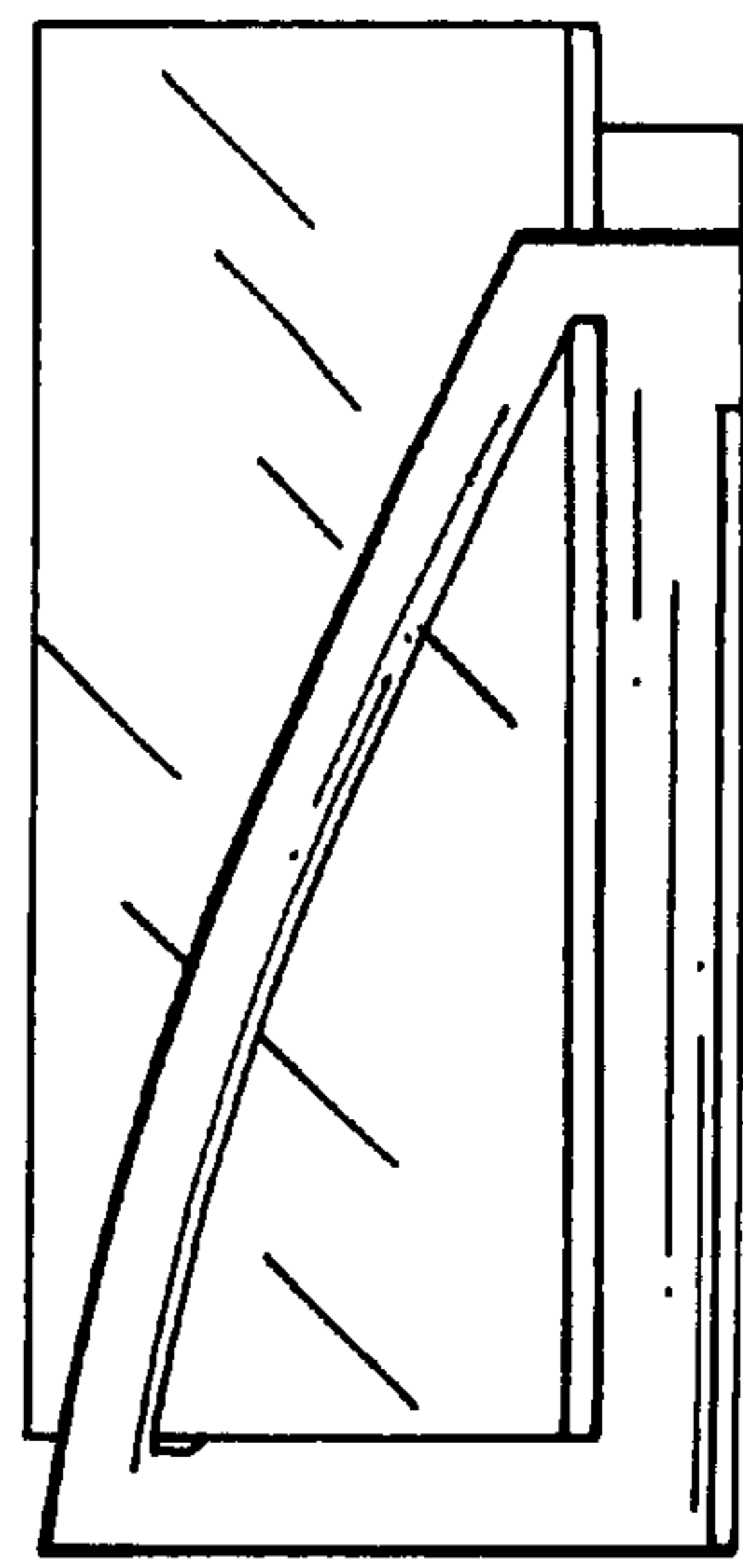
F i g . 4



F i g . 5



F i g . 6



F i g . 7