



US00D448104B1

(12) **United States Design Patent**  
**Weitzman et al.**

(10) **Patent No.:** **US D448,104 S**

(45) **Date of Patent:** **\*\* Sep. 18, 2001**

(54) **LAMP WITH ADJUSTABLE POSITION LIGHT**

D. 439,358 \* 3/2001 Lin ..... D26/65  
D. 441,476 \* 5/2001 Mendelsohn ..... D26/63

(75) Inventors: **Maxim Weitzman**, Los Angeles; **Ravi K. Sawhney**, Calabasas; **Tim M. Nugent**, Venice, all of CA (US)

\* cited by examiner

*Primary Examiner*—Susan J. Lucas  
(74) *Attorney, Agent, or Firm*—Jack C. Mumro

(73) Assignee: **Intrigo, Inc.**, Thousand Oaks, CA (US)

(57) **CLAIM**

(\*\*) Term: **14 Years**

The ornamental design for lamp with adjustable position light, as shown and described.

(21) Appl. No.: **29/136,670**

**DESCRIPTION**

(22) Filed: **Feb. 6, 2001**

(51) **LOC (7) Cl.** ..... **26-05**

(52) **U.S. Cl.** ..... **D26/65**

(58) **Field of Search** ..... D26/60–65; 362/418, 362/419, 427, 428, 269, 277, 282, 285, 401, 393

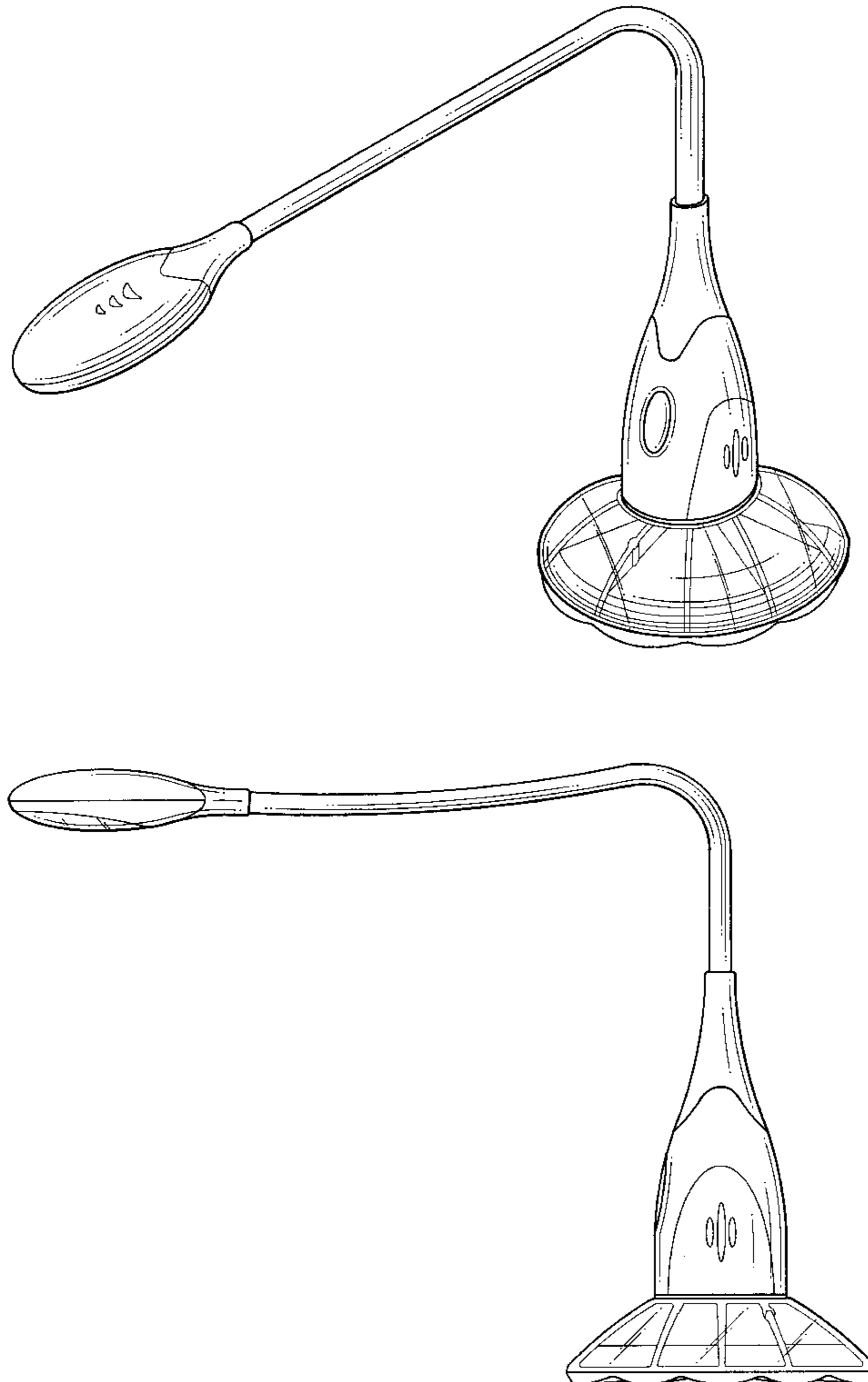
FIG. 1 is an isometric view of the lamp with adjustable position light showing my new design;  
FIG. 2 is a front elevational view thereof;  
FIG. 3 is a rear elevational view thereof;  
FIG. 4 is a top plan view thereof;  
FIG. 5 is a bottom plan view thereof; and,  
FIG. 6 is a right side elevational view thereof with the left side being identical but reversed.

(56) **References Cited**

**U.S. PATENT DOCUMENTS**

D. 382,362 \* 8/1997 Huang ..... D26/65

**1 Claim, 4 Drawing Sheets**



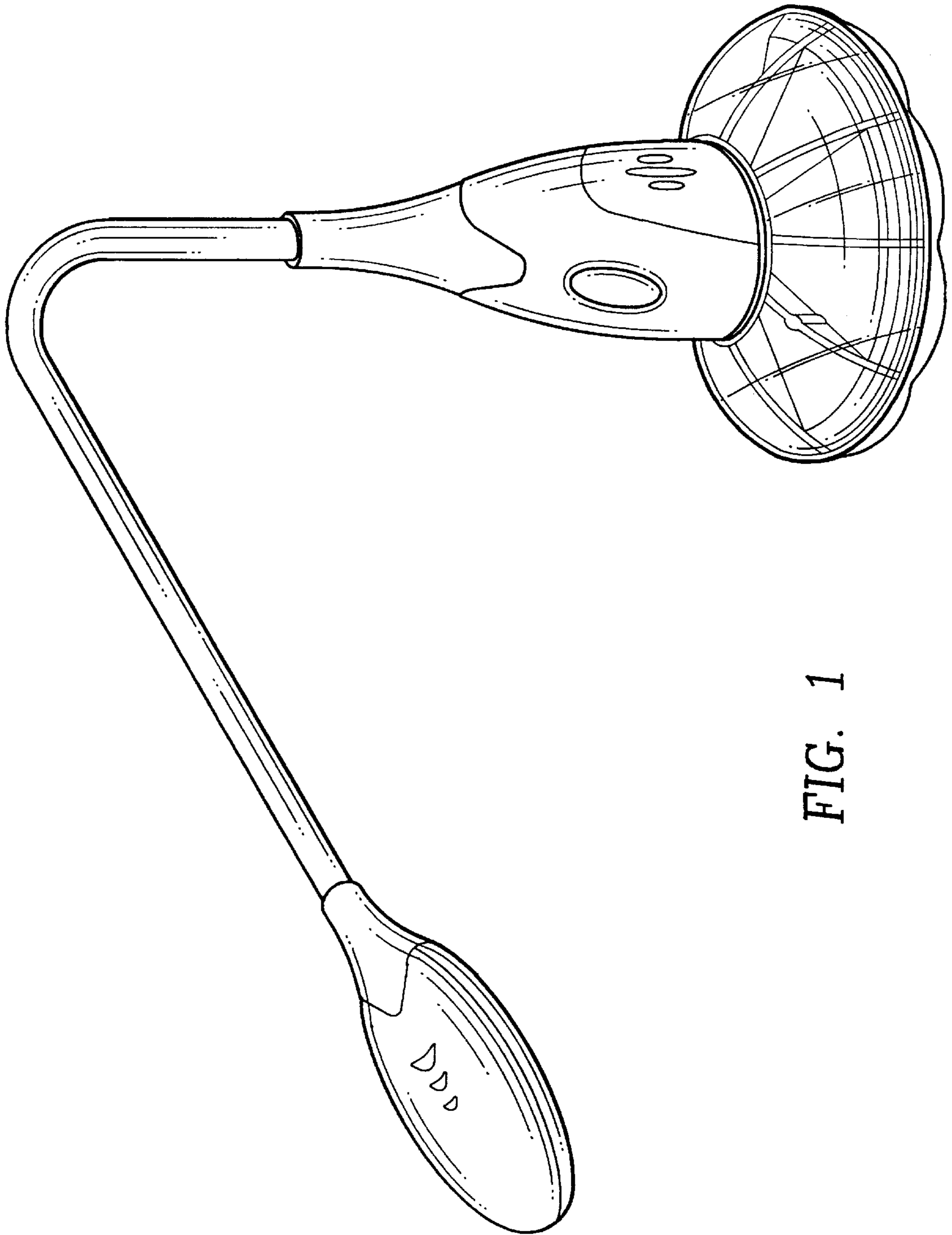


FIG. 1

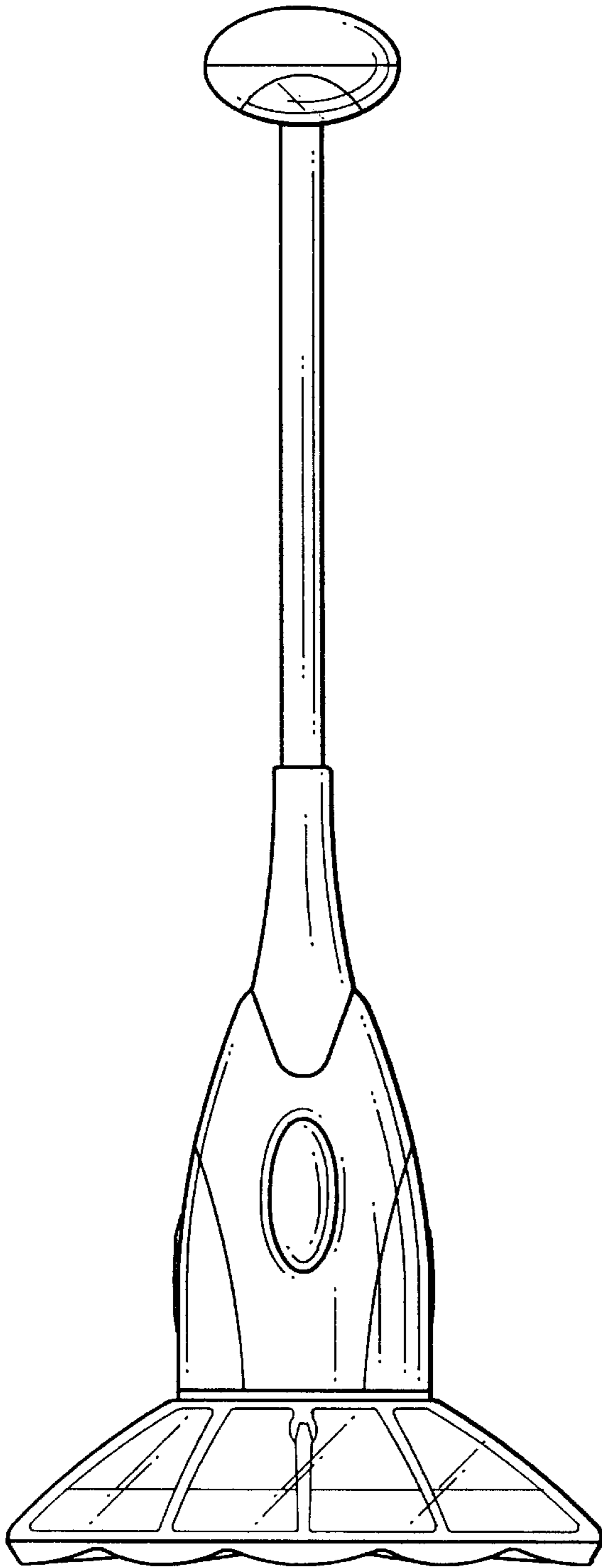


FIG. 2

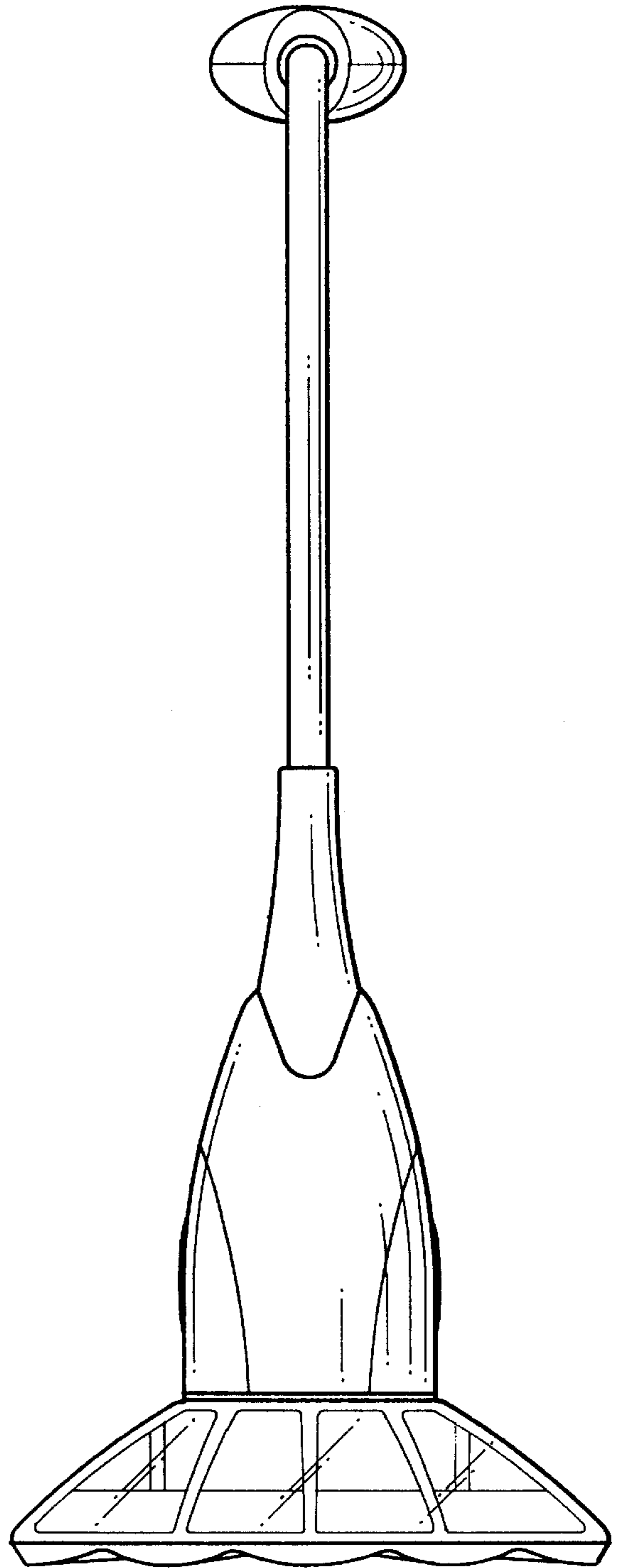


FIG. 3

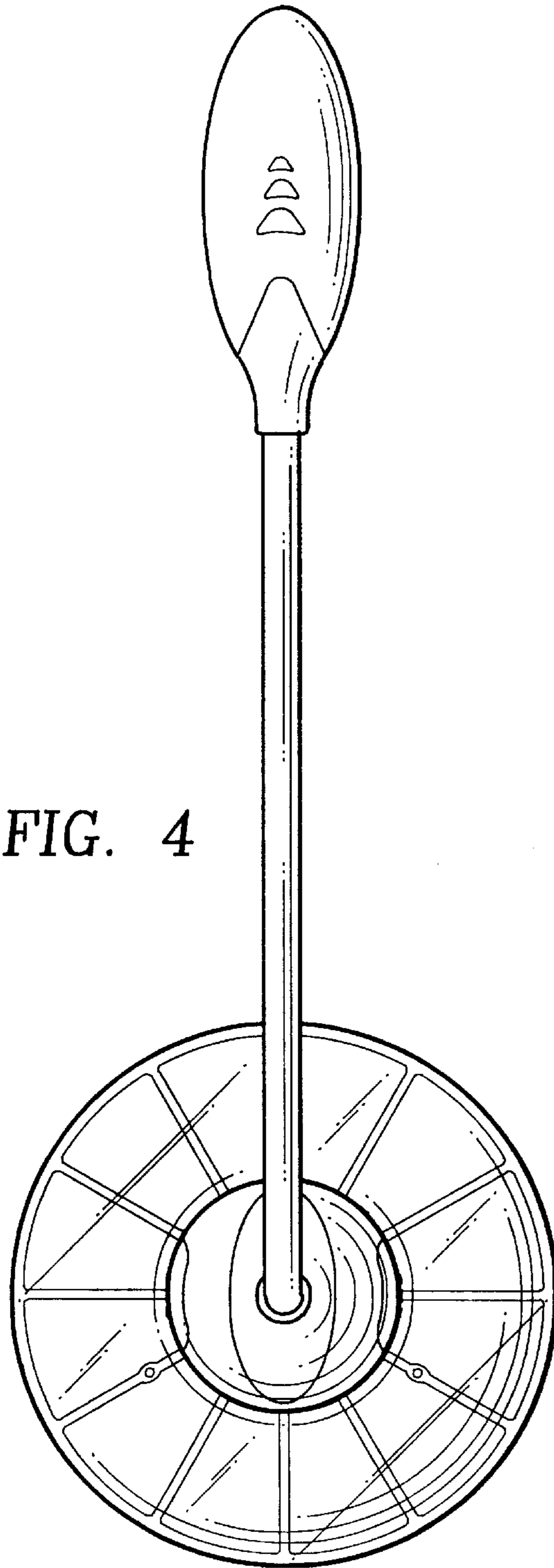


FIG. 4

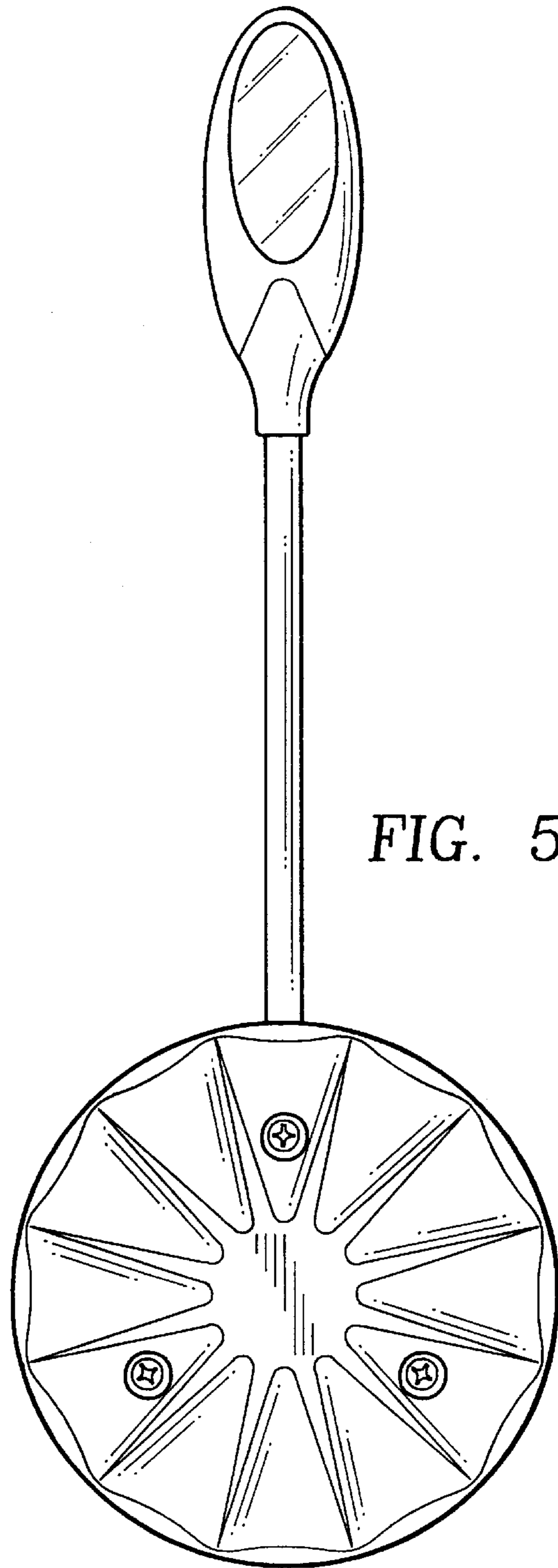


FIG. 5

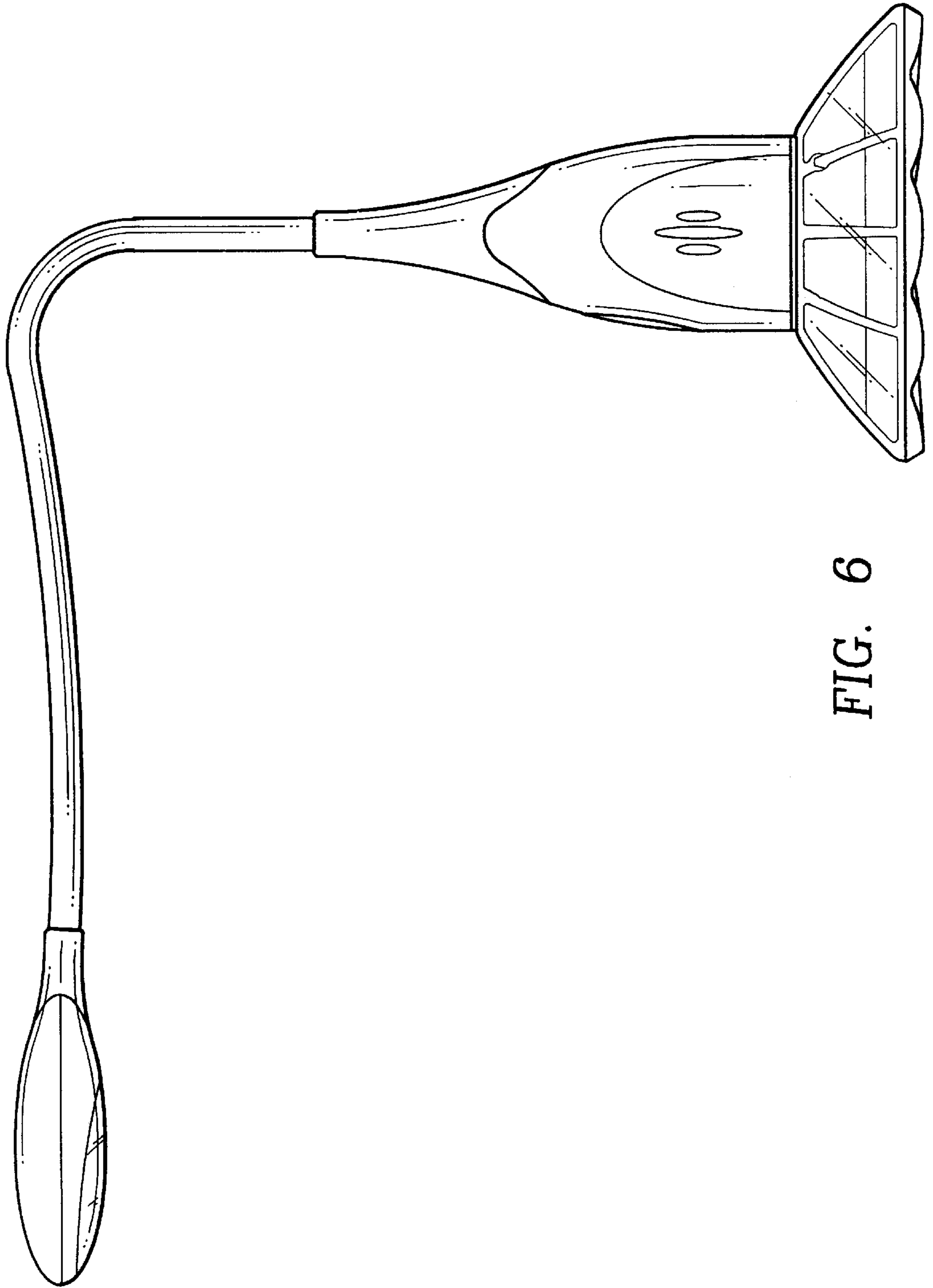


FIG. 6