



US00D448103B1

(12) **United States Design Patent**
Yuen

(10) **Patent No.:** **US D448,103 S**

(45) **Date of Patent:** **** Sep. 18, 2001**

(54) **EMERGENCY RECHARGEABLE LIGHT**

(75) **Inventor:** **John Se Kit Yuen, Kowloon (HK)**

(73) **Assignee:** **John Manufacturing Limited, Kowloon (HK)**

(**) **Term:** **14 Years**

(21) **Appl. No.:** **29/130,577**

(22) **Filed:** **Oct. 5, 2000**

(30) **Foreign Application Priority Data**

Apr. 18, 2000 (GB) 2092287

(51) **LOC (7) Cl.** **26-02**

(52) **U.S. Cl.** **D26/42; D26/76**

(58) **Field of Search** D26/60-66, 75, D26/76; 362/267, 281, 285, 287, 418, 419, 427, 430, 396, 217, 223, 225, 190, 249

(56) **References Cited**

U.S. PATENT DOCUMENTS

- D. 189,208 * 11/1960 Lasker D26/76
- D. 207,601 * 5/1967 Phillips D26/42
- D. 299,550 * 1/1989 Payne D26/42
- D. 331,119 * 11/1992 Hagebo D26/72

- D. 387,461 * 12/1997 Schadt D26/75
- D. 437,951 * 2/2001 Yuen D26/42
- D. 440,340 * 4/2001 Tillman et al. D26/76
- 5,001,614 * 3/1991 Buss D26/225

* cited by examiner

Primary Examiner—Susan J. Lucas

(74) *Attorney, Agent, or Firm*—Mattingly, Stanger & Malur, P.C.

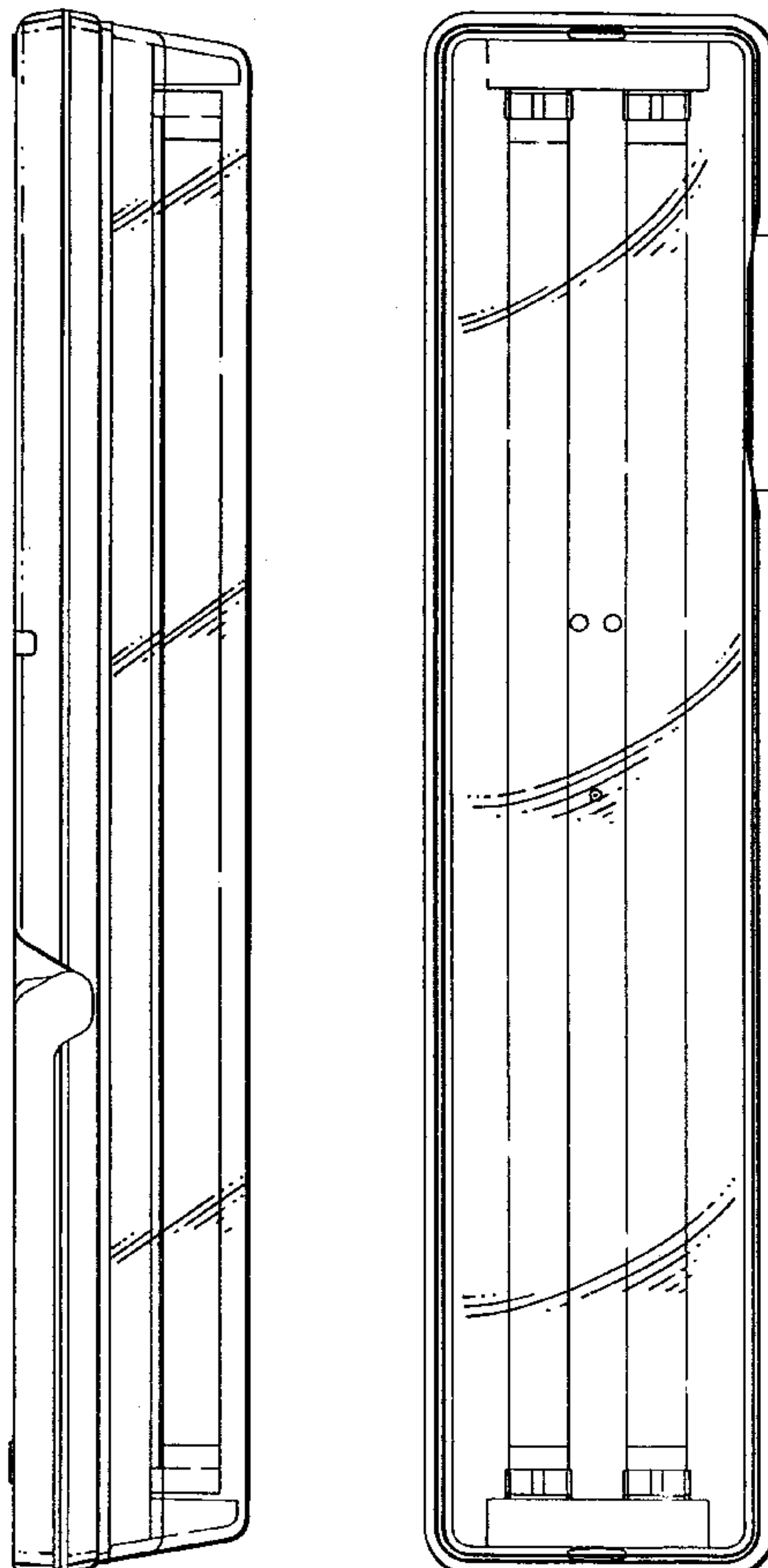
(57) **CLAIM**

The ornamental design for a “emergency rechargeable light”, as shown and described.

DESCRIPTION

FIG. 1 is a left side elevational view showing my new design;
 FIG. 2 is a front elevational view thereof;
 FIG. 3 is a right side elevational thereof;
 FIG. 4 is a rear elevational view thereof;
 FIG. 5 is a top plan view thereof;
 FIG. 6 is an underneath plan view thereof;
 FIG. 7 is a top plan view showing the handle in an alternative position thereof; and,
 FIG. 8 is a left side view showing stand and handle in alternative positions thereof;

1 Claim, 3 Drawing Sheets



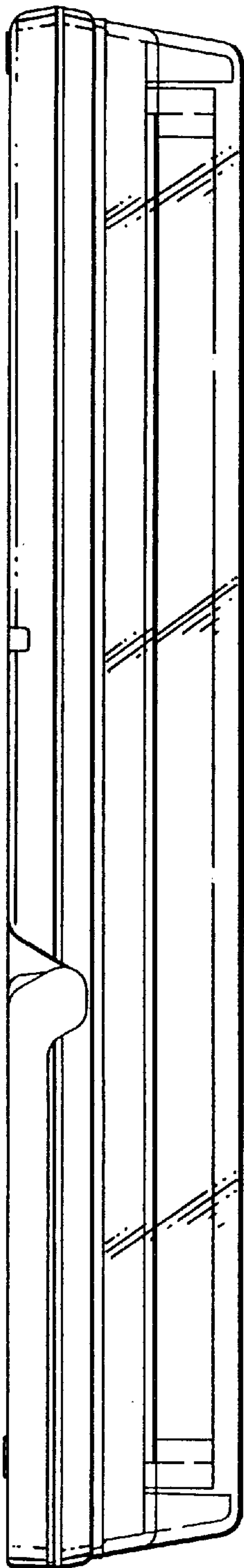


FIG. 1

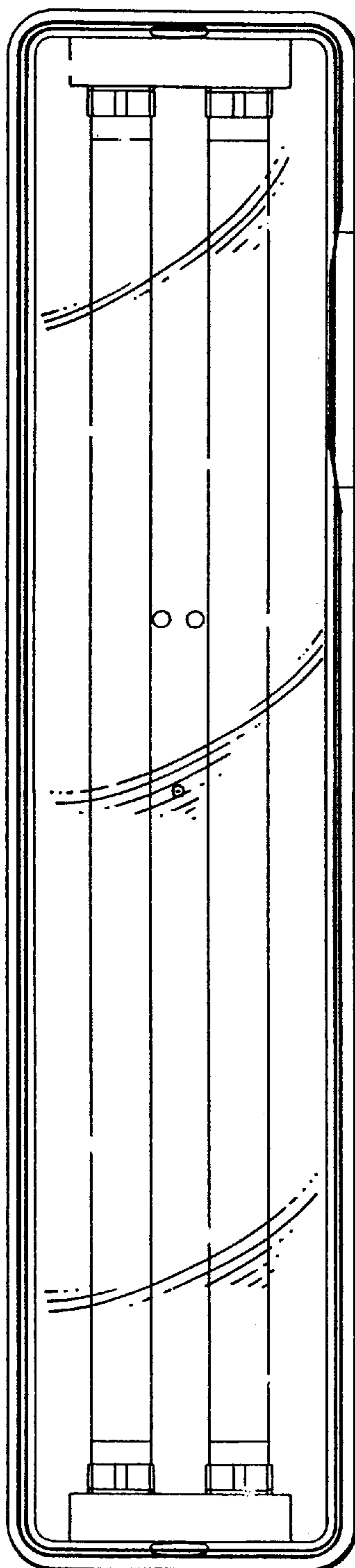


FIG. 2

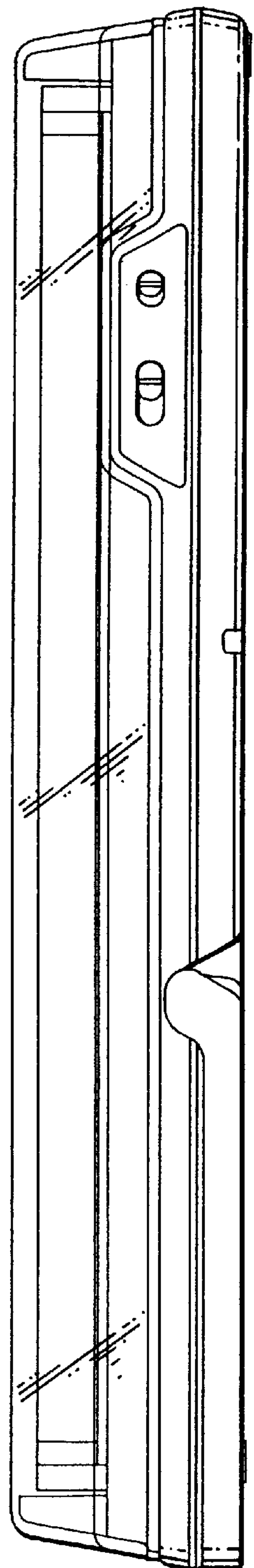


FIG. 3

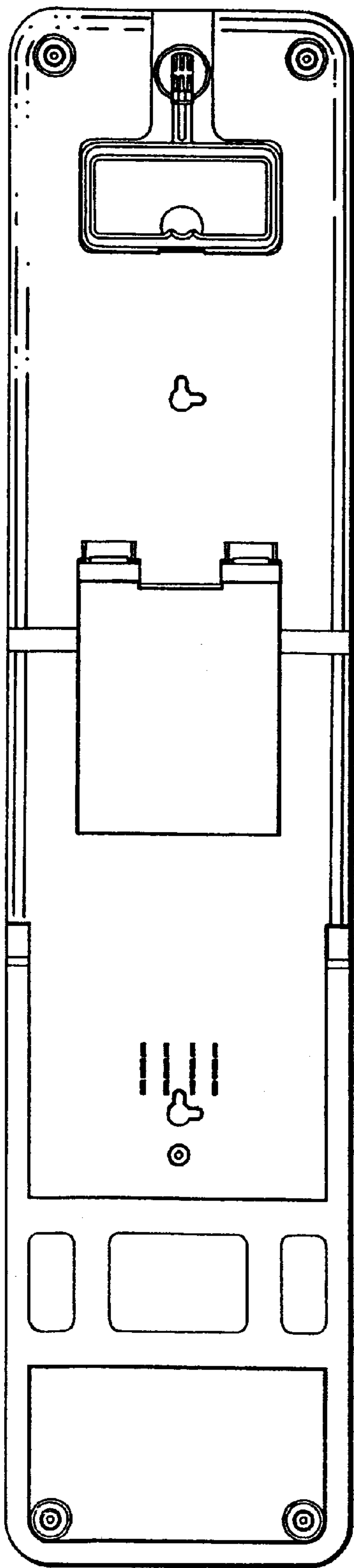


FIG. 4

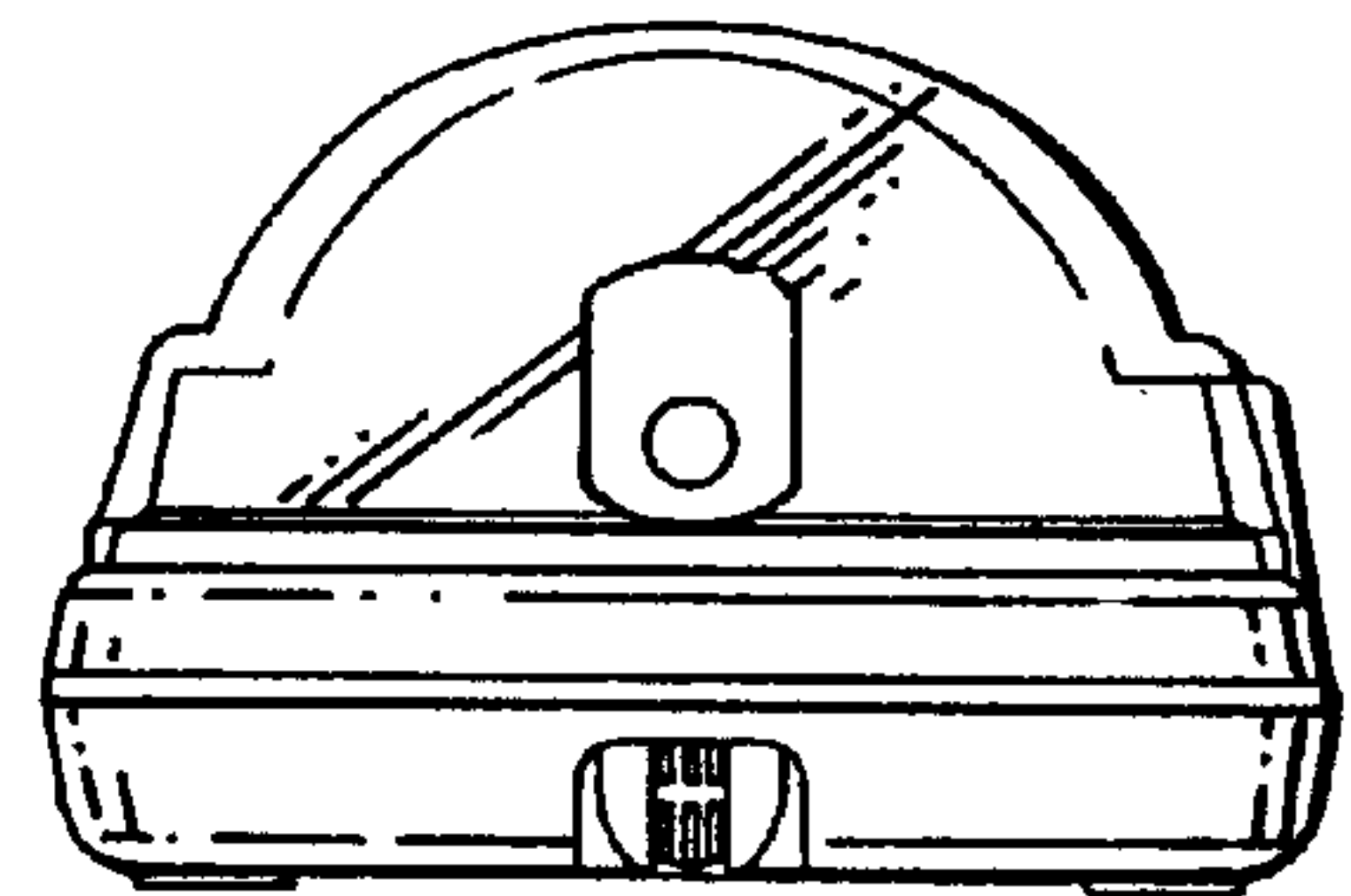


FIG. 5

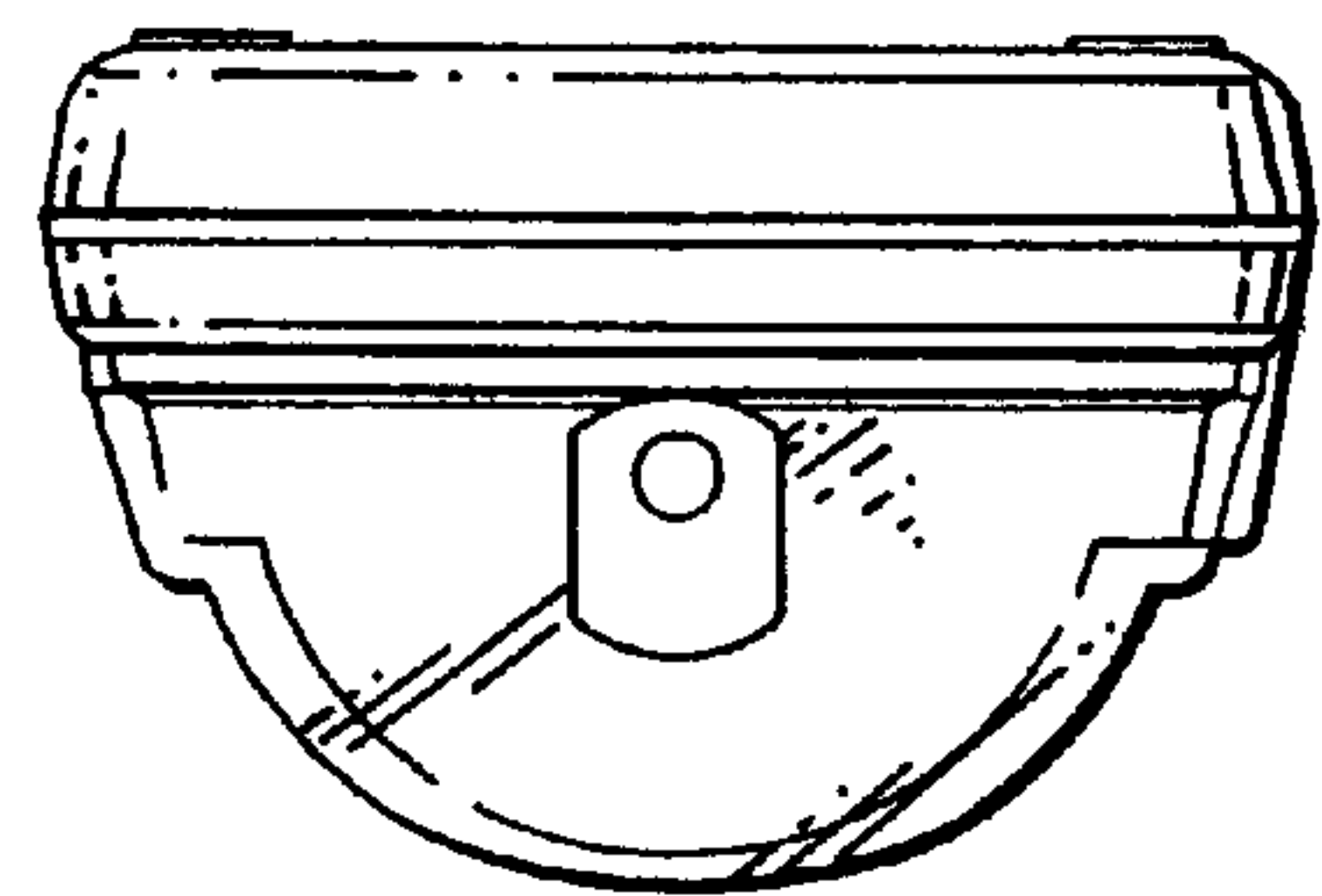


FIG. 6

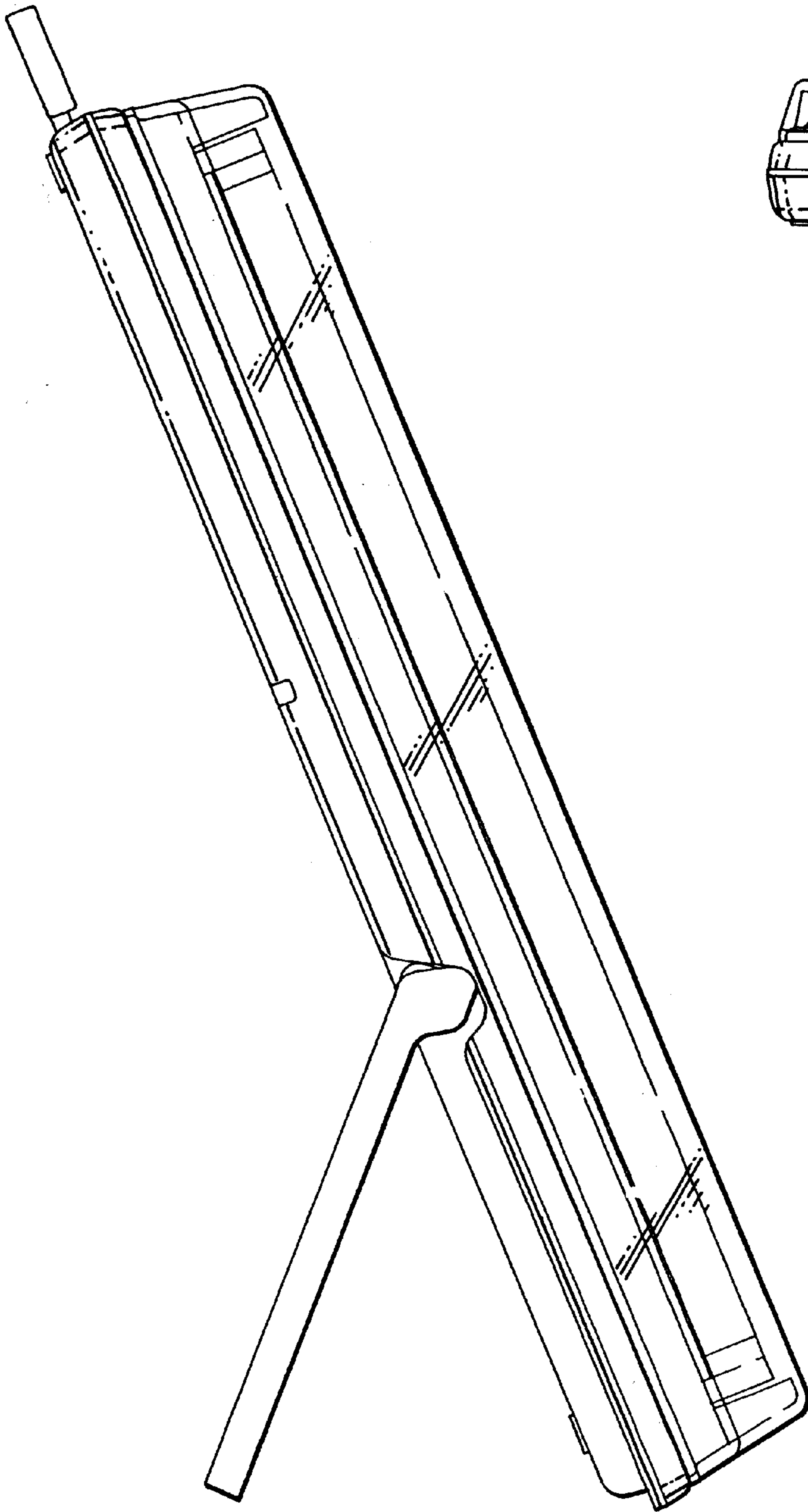


FIG. 8

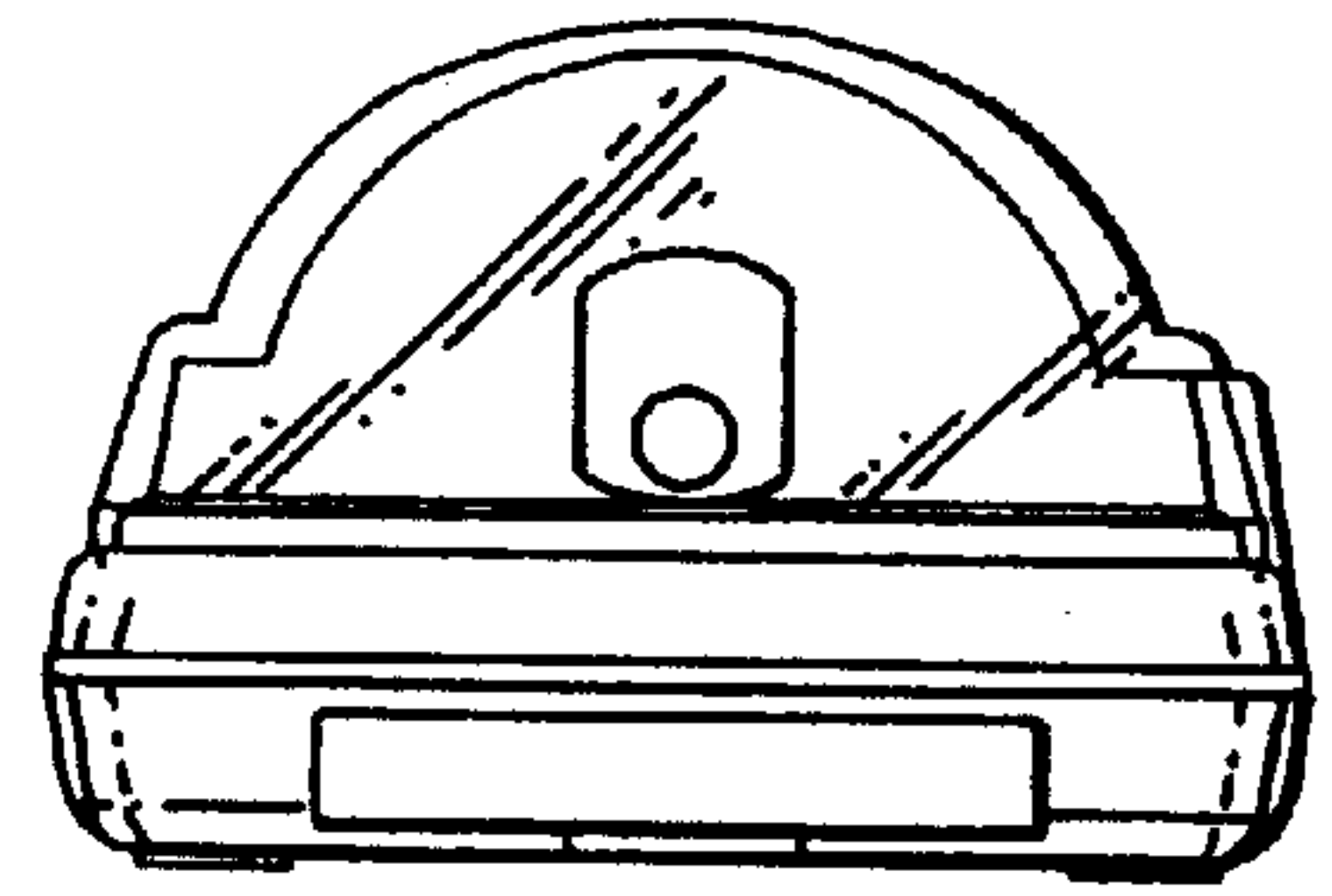


FIG. 7