



US00D448099B1

(12) **United States Design Patent**  
**Mariani**

(10) **Patent No.:** **US D448,099 S**

(45) **Date of Patent:** **\*\* Sep. 18, 2001**

(54) **RECHARGEABLE HAND LANTERN**

5,426,792 6/1995 Murasko ..... 2/422  
5,440,462 8/1995 Kim et al. .... 362/105

(76) Inventor: **Henry J. Mariani**, 3801 Woodland Heights Rd., # 100, Little Rock, AR (US) 72212

(\*\*) Term: **14 Years**

(21) Appl. No.: **29/125,316**

(22) Filed: **Jun. 21, 2000**

(51) **LOC (7) Cl.** ..... **26-02**

(52) **U.S. Cl.** ..... **D26/37**

(58) **Field of Search** ..... D26/37-50; 362/157, 362/158, 171, 173, 183-208

**OTHER PUBLICATIONS**

Cajun Light Company, Cajun Light Co., Longville, LA, p. 55; American Cooner Magazine, Jan. 1997.  
Bandit Lights, Basil Kittell, Jr., Ocean Springs, Miss., p. 67; American Cooner Magazine, Jan. 1997.  
Blazer . . . the Leader, Blazer Light & Supply, LTD., Pioneer, OH, p. 83; American Cooner Magazine, Jan. 1997.  
Introducing . . . The Merlin, Western Rivers Light Co., Lexington, TN, p. 89; American Cooner Magazine, Jan. 1997.  
The Rules Have Changed, Koch Supplies, Richmond, MO, p. 109; American Cooner Magazine, Jan. 1997.  
Competition Light and Supply Co., Mike Grimmitt, Columbus, KY, p. 115; American Cooner Magazine, Jan. 1997.  
From the Coon Den . . . Night Piercer Lights, The Coon Den, Inc., Palestine, OH; p. 124; American Cooner Magazine, Jan. 1997.  
Coonbuster Nightro 21 Volt, Coonbuster Lights, Winnsboro, TX; p. 139; American Cooner Magazine, Jan. 1997.  
Nitelite, NLC Products, Inc.; p. 179; American Cooner Magazine, Jan. 1997.

\* cited by examiner

*Primary Examiner*—Marcus A. Jackson

(74) *Attorney, Agent, or Firm*—Head, Johnson & Kachigian

(57) **CLAIM**

The design for a rechargeable hand lantern, as shown and described.

**DESCRIPTION**

FIG. 1 is a perspective view of a rechargeable hand lantern showing our new design, forming no part of the claimed design;  
FIG. 2 is a right side elevational view thereof;  
FIG. 3 is a left side elevational view thereof;  
FIG. 4 is a front view thereof;  
FIG. 5 is a rear view thereof;  
FIG. 6 is a top elevational view thereof; and,  
FIG. 7 is a bottom elevational view thereof.

**1 Claim, 4 Drawing Sheets**

(56) **References Cited**

**U.S. PATENT DOCUMENTS**

46,427	2/1865	Landes .	
D. 48,109	11/1915	Hansen .	
52,391	2/1866	Corey .	
53,240	3/1866	Baines .	
D. 203,216	12/1965	Rhoades .....	D48/24
D. 270,482	9/1983	Jones .....	D26/2
D. 284,106	* 6/1986	Drane .....	D26/50
D. 293,825	* 1/1988	Jennings .....	D26/50
D. 376,864	12/1996	Yuen .....	D26/50
D. 389,932	1/1998	Mariani .....	D26/39
D. 399,582	10/1998	Mariani .....	D26/50
D. 403,661	1/1999	Mariani .....	D13/106
D. 404,158	* 1/1999	Yuen .....	D26/50
1,806,868	5/1931	Wolf .	
2,678,305	5/1954	Villarreal .....	252/340
2,907,871	10/1959	Prout .....	240/11.3
3,042,797	7/1962	Rubens .....	240/59
3,800,136	3/1974	Edelson .....	240/10.6 SD
4,048,631	9/1977	Flores .....	340/321
4,090,232	5/1978	Golden .....	362/106
4,238,709	12/1980	Wallace .....	315/291
4,263,588	4/1981	Gautier .....	340/632
4,399,492	8/1983	Kolesar .....	362/106
4,634,936	1/1987	Gentry et al. ....	315/307
4,916,594	4/1990	Headley .....	362/108
4,945,458	7/1990	Batts et al. ....	362/106
5,107,180	4/1992	Ormanns et al. ....	315/33
5,115,382	5/1992	Smith .....	362/105

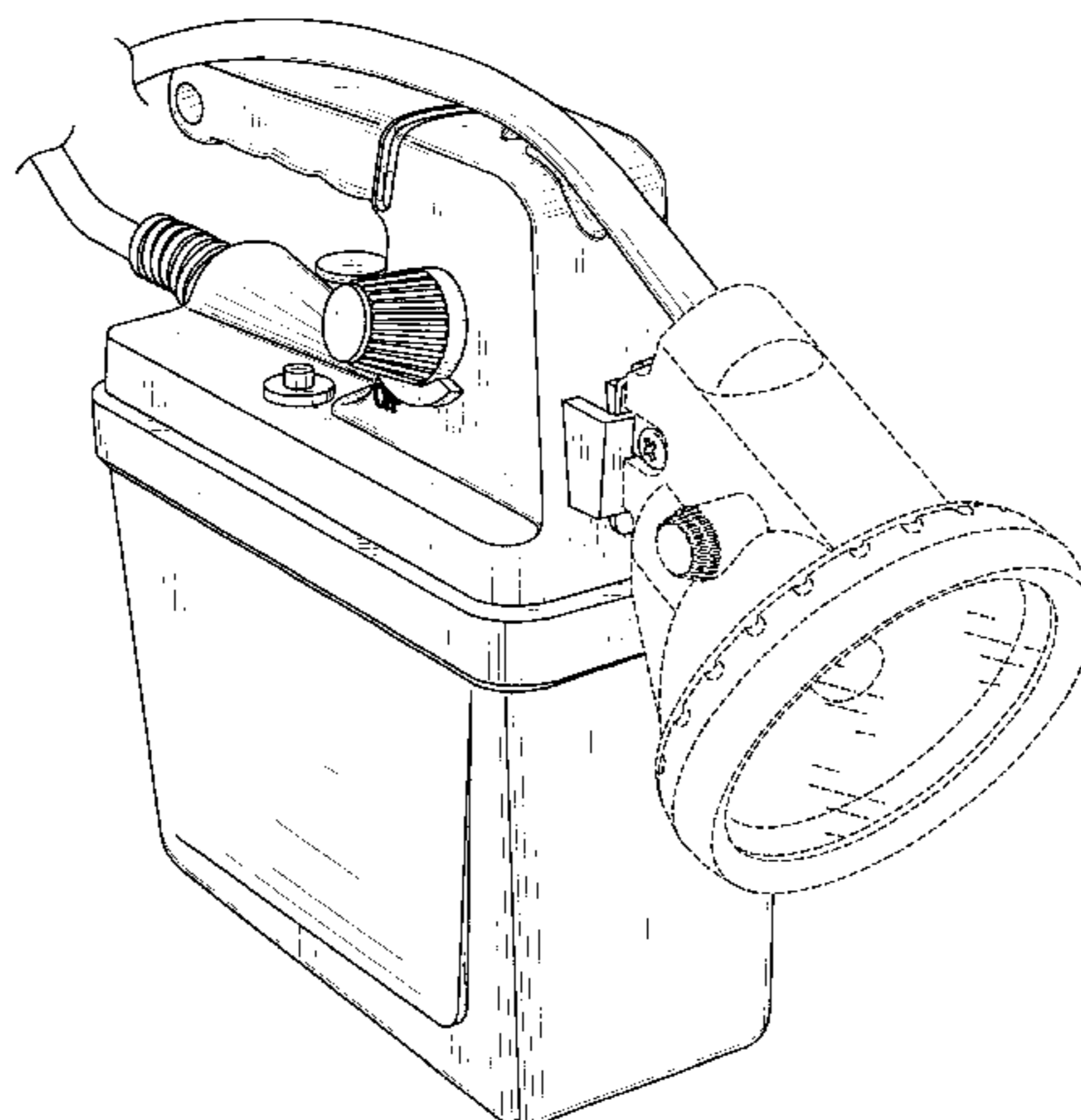


FIG. 1

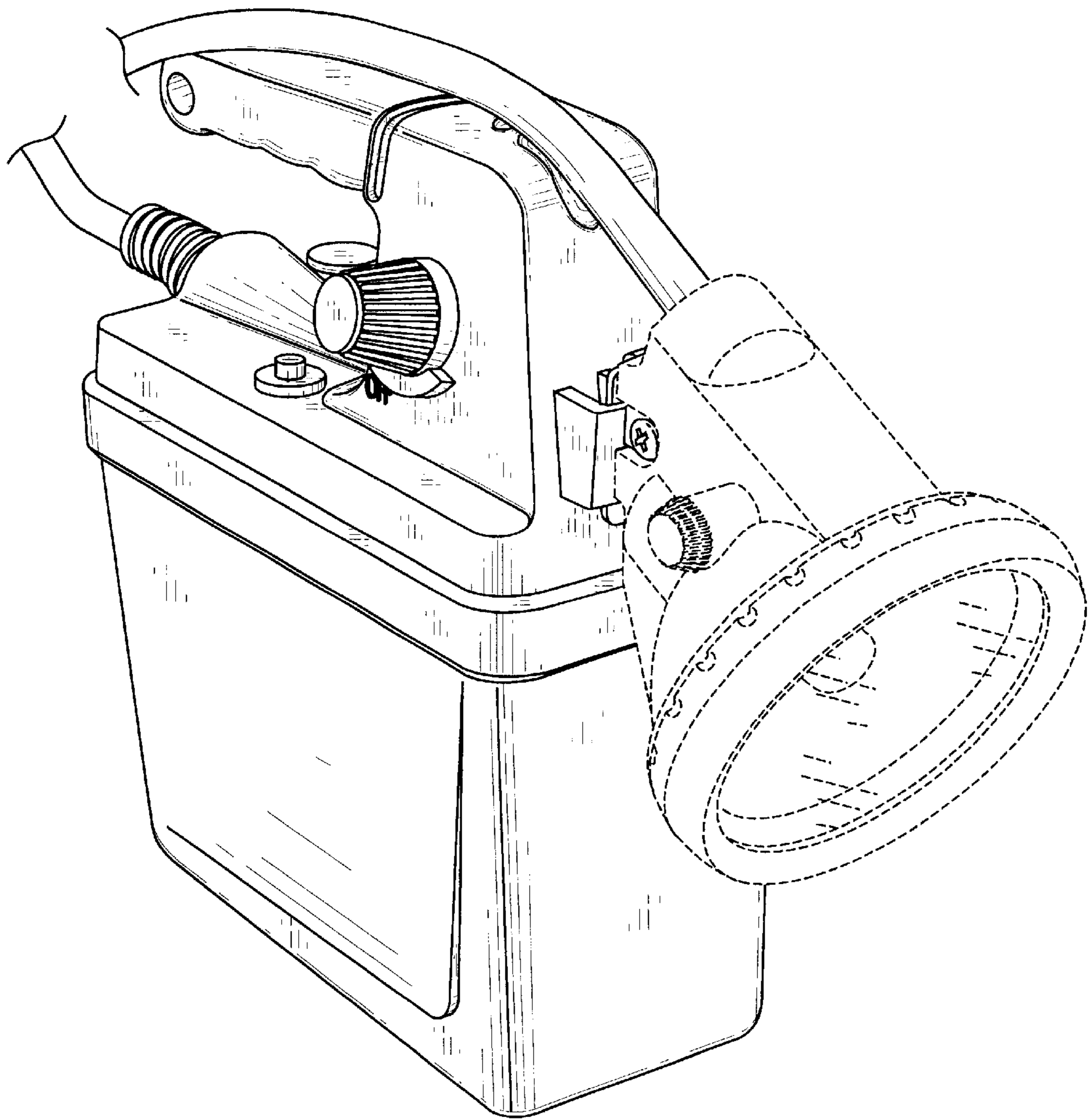


FIG. 2

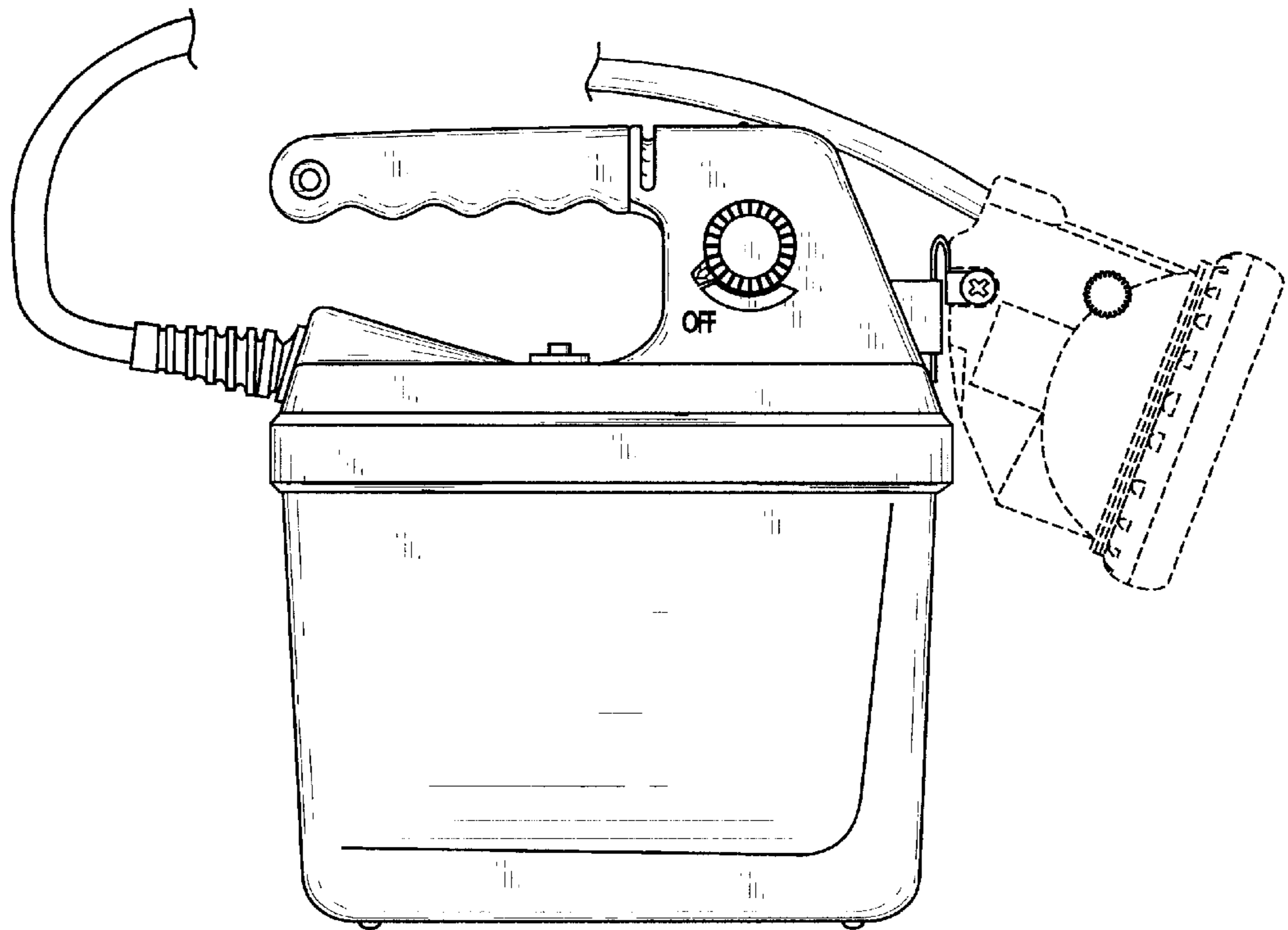


FIG. 3

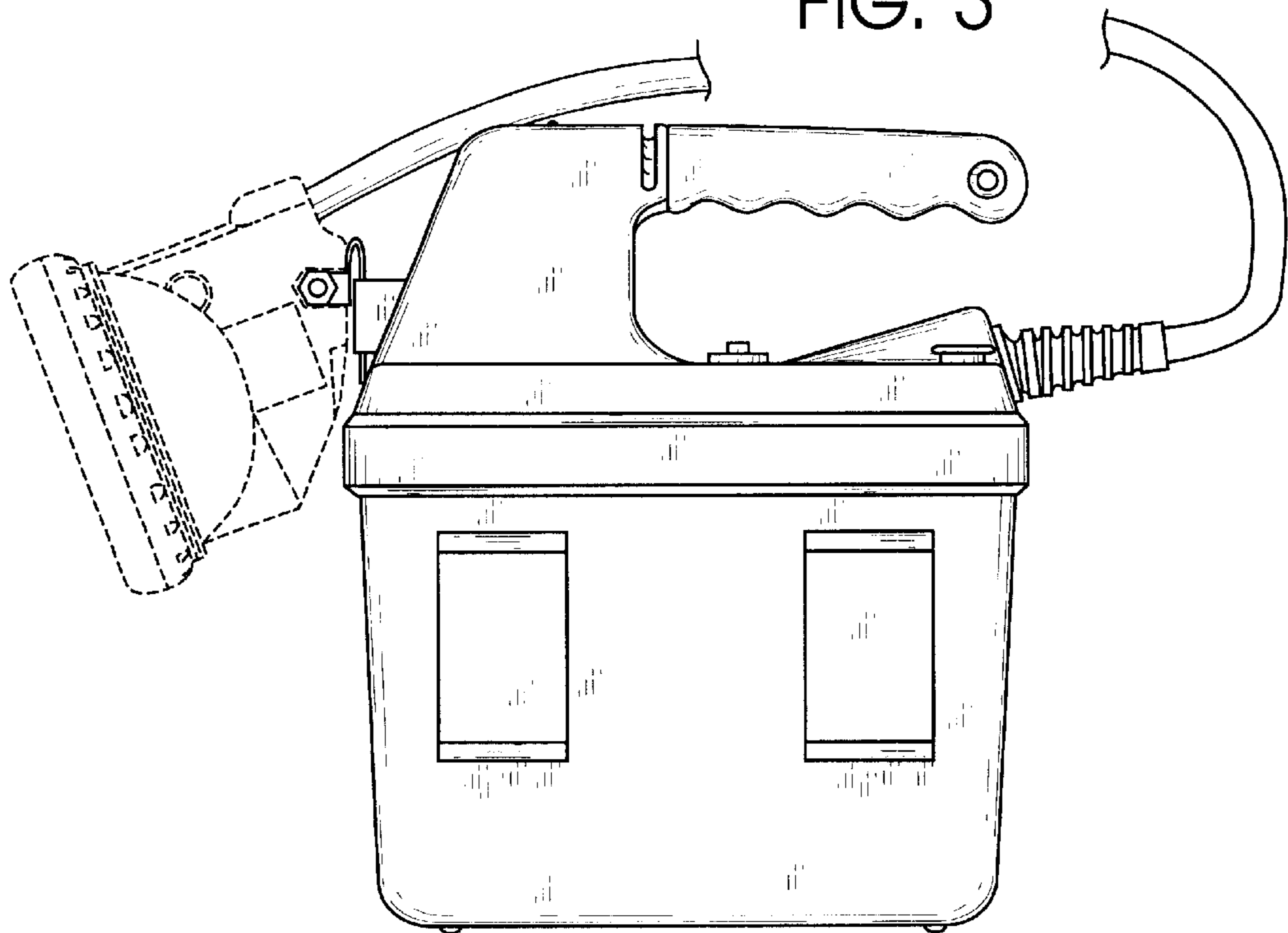


FIG. 4

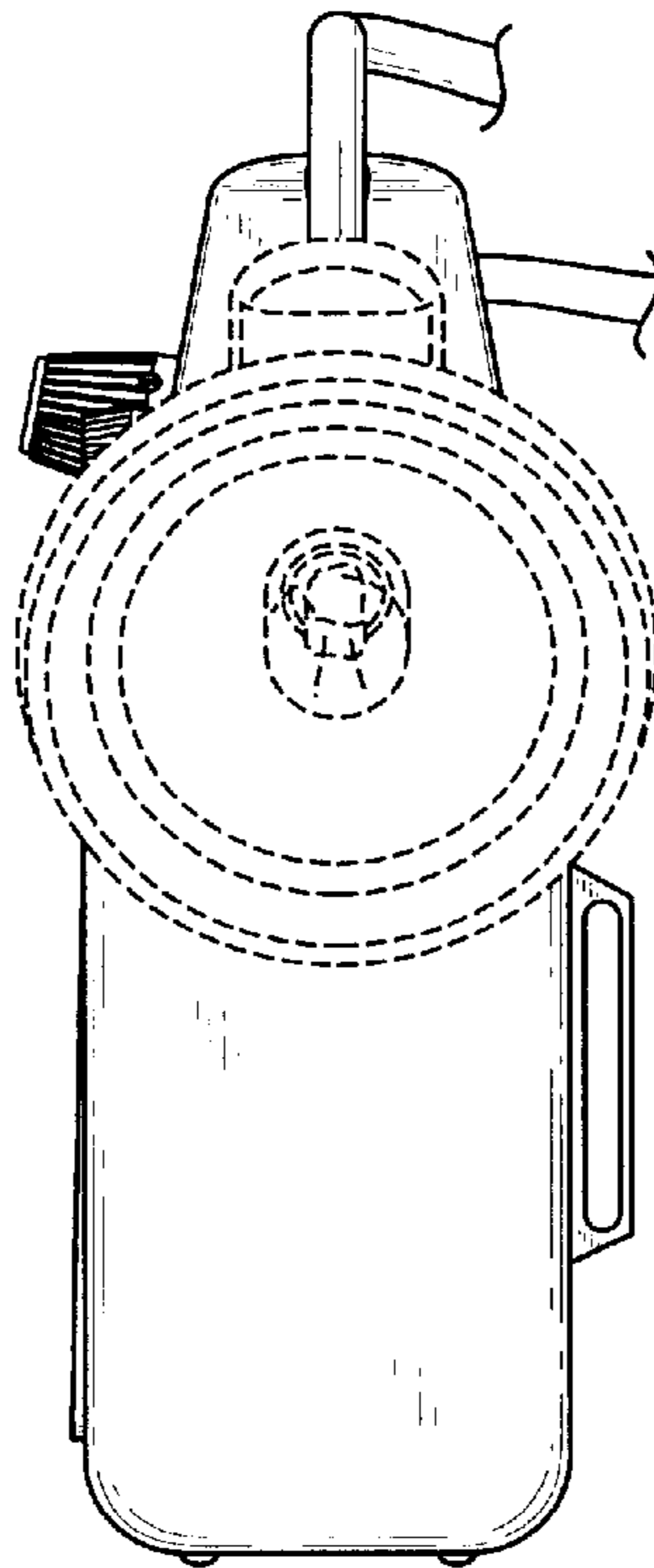


FIG. 5

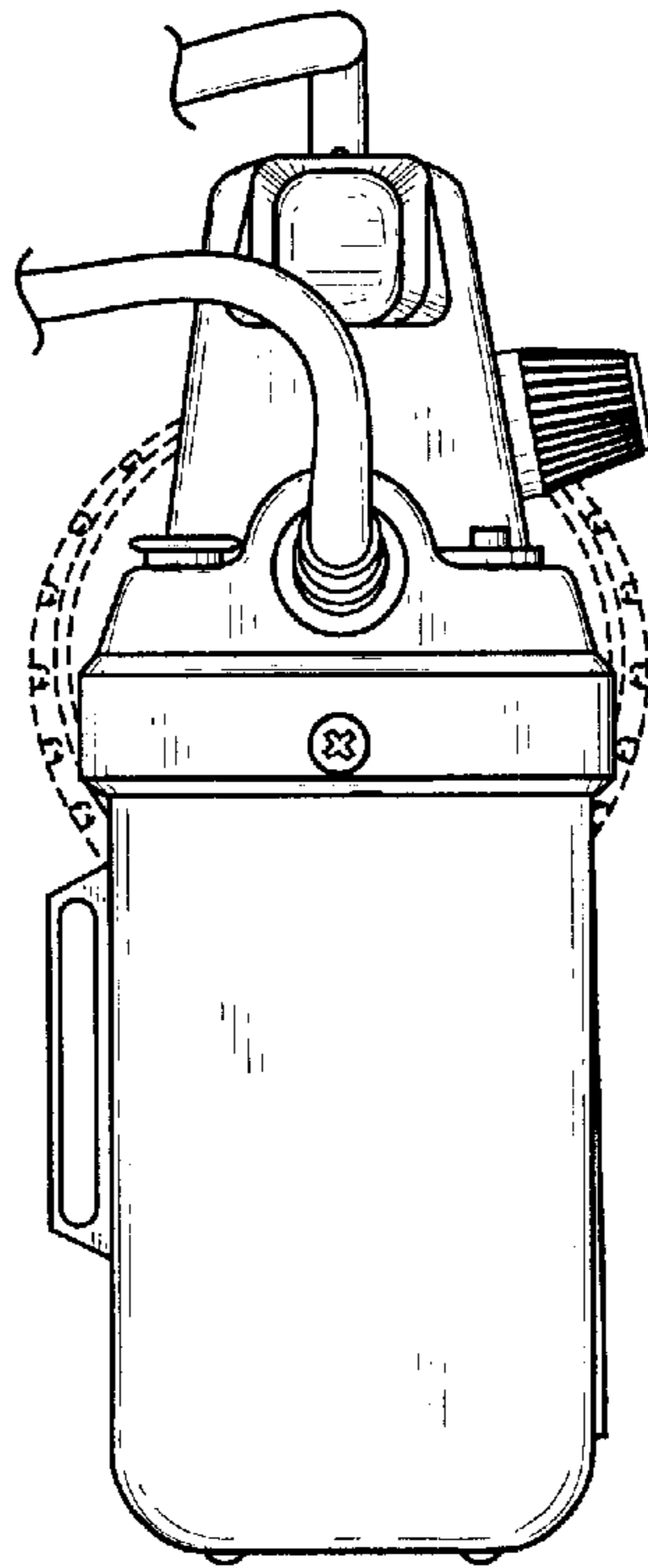


FIG. 6

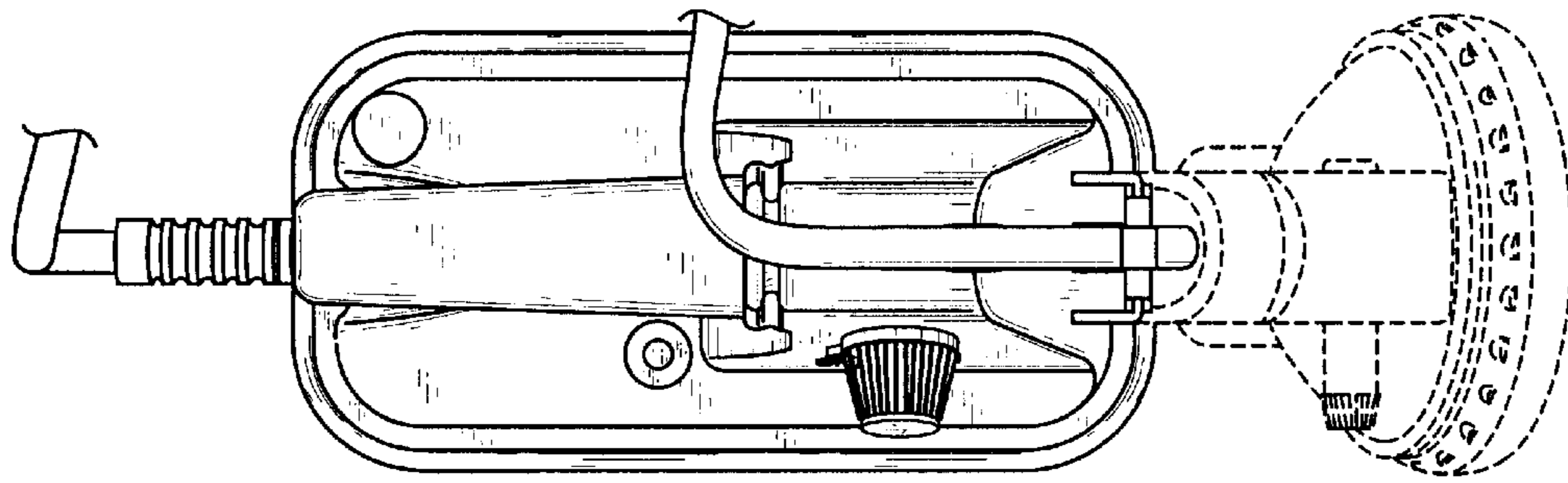


FIG. 7

