



US00D448097B1

(12) **United States Design Patent**
Bodum

(10) **Patent No.:** **US D448,097 S**

(45) **Date of Patent:** **** Sep. 18, 2001**

(54) **CANDLE HOLDER**

(75) Inventor: **Jørgen Bodum**, St. Niklausen (CH)

(73) Assignee: **PI-Design AG**, Triengen (CH)

(**) Term: **14 Years**

(21) Appl. No.: **29/130,709**

(22) Filed: **Oct. 10, 2000**

(30) **Foreign Application Priority Data**

Apr. 12, 2000 (DK) MA 2000 00445

(51) **LOC (7) Cl.** **26-01**

(52) **U.S. Cl.** **D26/9; D11/146**

(58) **Field of Search** **D26/9-11; D11/146;**
431/291, 295

(56) **References Cited**

U.S. PATENT DOCUMENTS

- D. 389,947 * 1/1998 Hutton D26/9
- D. 403,614 * 1/1999 Terranova D11/146

- D. 411,892 * 7/1999 Robinson D26/9
- D. 430,943 * 9/2000 Zutler D26/9

* cited by examiner

Primary Examiner—Robin V. Taylor

(74) *Attorney, Agent, or Firm*—Nath & Associates PLLC;
Gary M. Nath; Marvin C. Berkowitz

(57) **CLAIM**

The ornamental design for a candle holder, as shown and described.

DESCRIPTION

FIG. 1 is an oblique perspective view of the candle holder; FIG. 2 is a right side view of the candle holder, as shown in FIG. 1; FIG. 3 is a left side view of the candle holder; FIG. 4 is a front side view of the candle holder; FIG. 5 is a back side view of the candle holder; FIG. 6 is a top view of the candle holder; and, FIG. 7 is a bottom view of the candle holder.

1 Claim, 4 Drawing Sheets



FIG. 1



FIG. 3

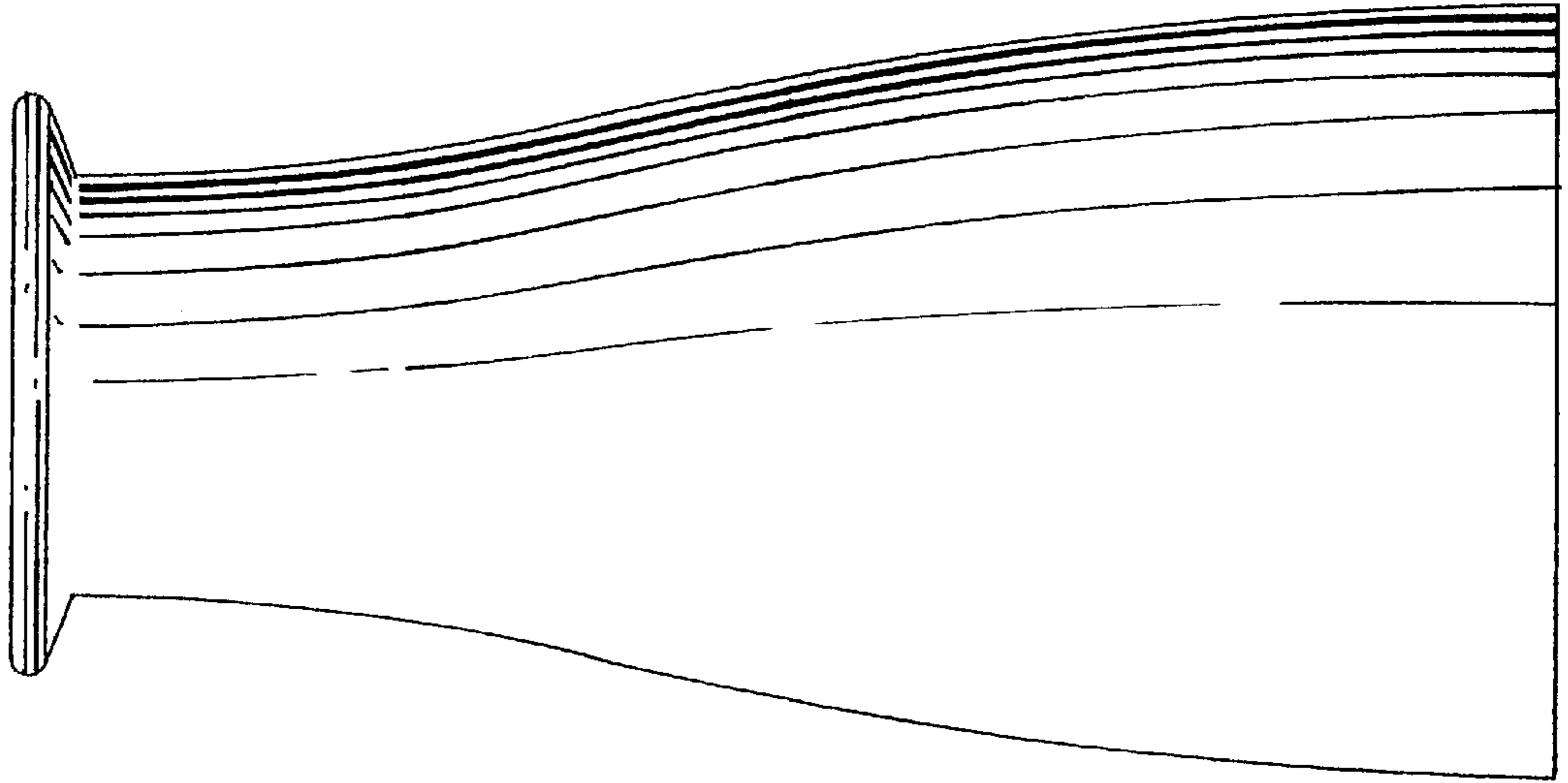


FIG. 2

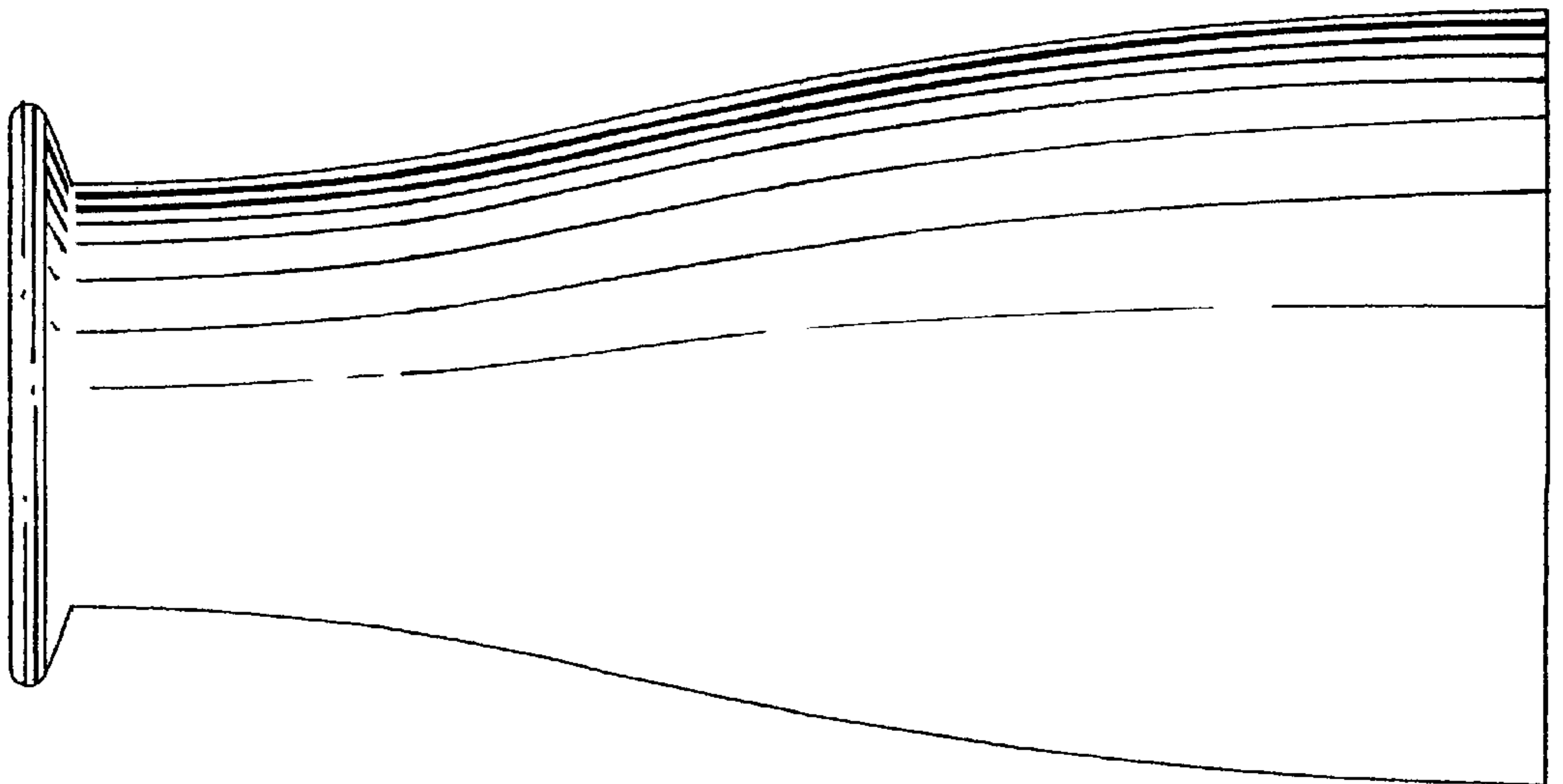


FIG. 5

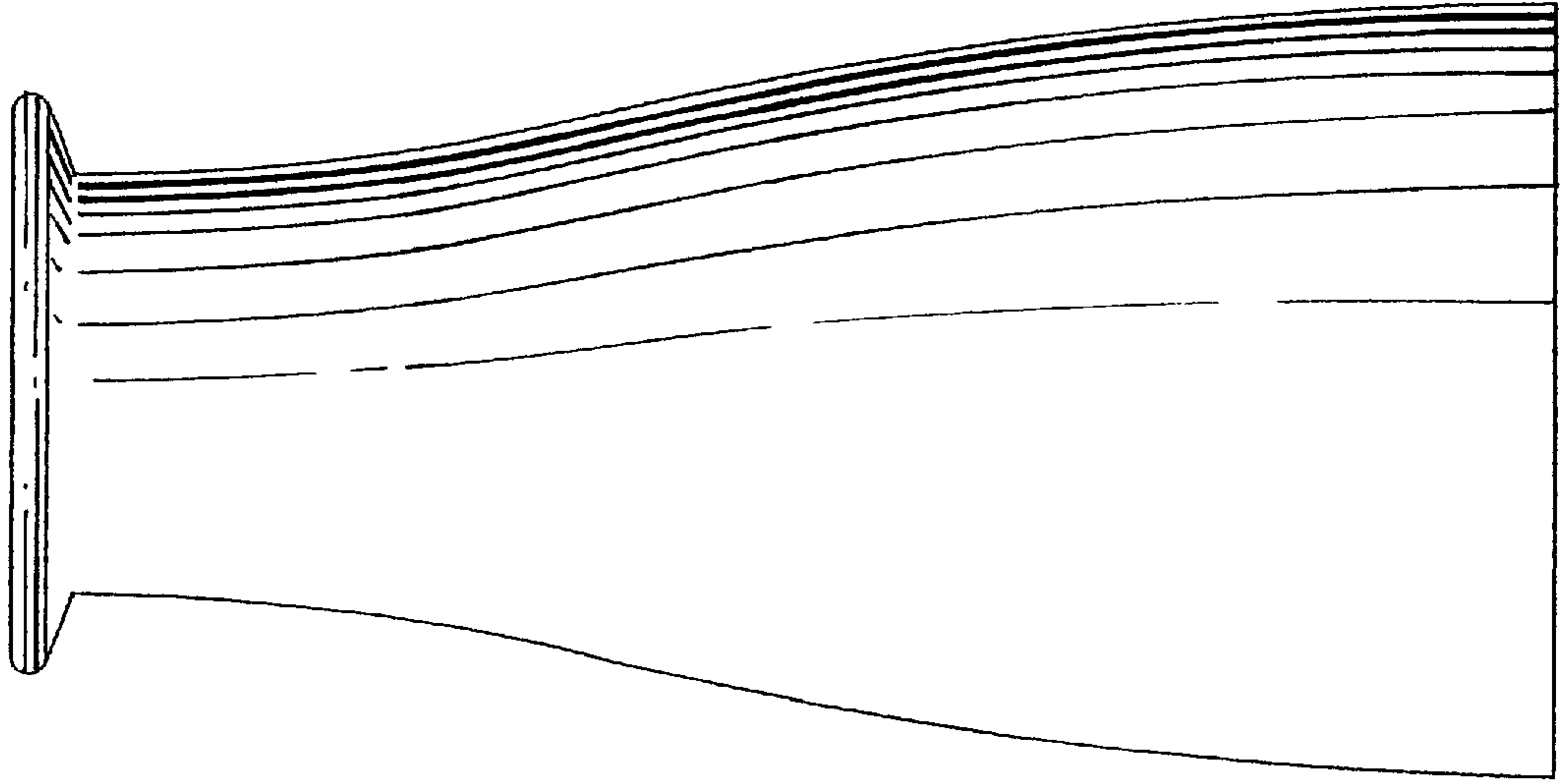


FIG. 4

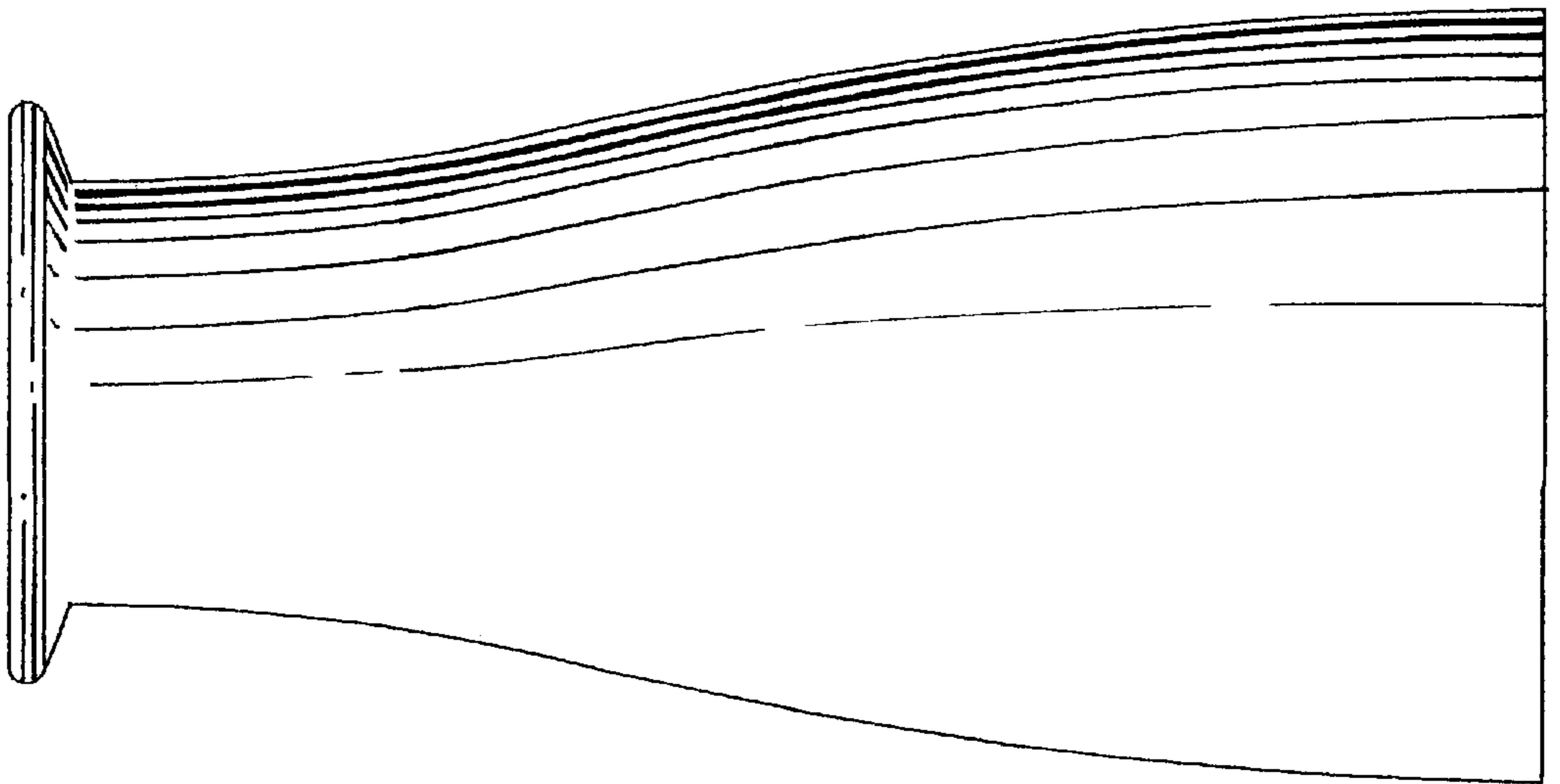


FIG. 6

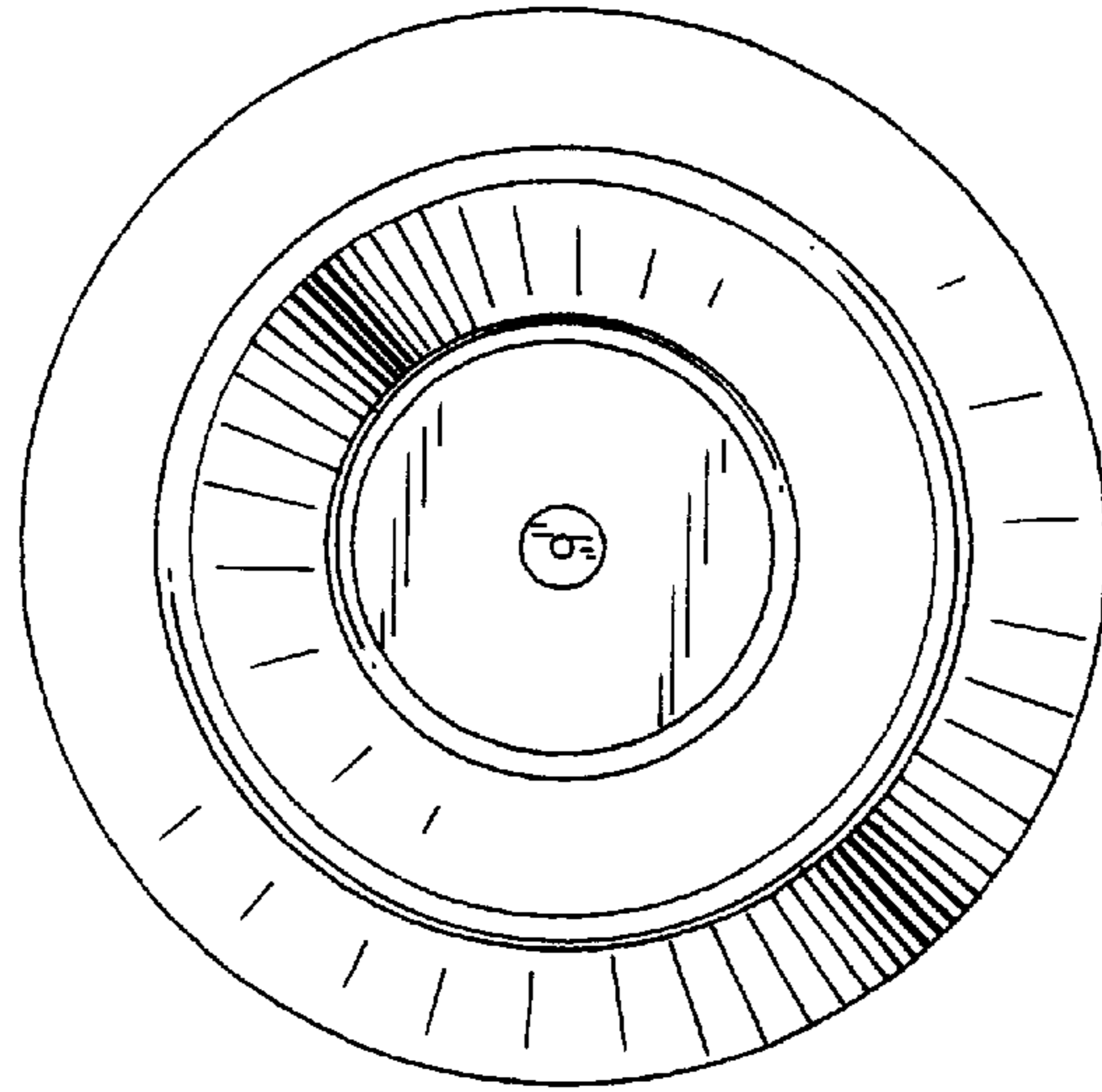


FIG. 7

