



US00D448095B1

(12) **United States Design Patent**
Merideth

(10) **Patent No.:** **US D448,095 S**

(45) **Date of Patent:** **** Sep. 18, 2001**

(54) **ROOF FLASHING**

(75) Inventor: **Michael R. Merideth**, Roseville, CA
(US)

(73) Assignee: **Uni-Products, Inc.**, Rio Linda, CA
(US)

(**) Term: **14 Years**

(21) Appl. No.: **29/134,038**

(22) Filed: **Dec. 12, 2000**

(51) **LOC (7) Cl.** **25-99**

(52) **U.S. Cl.** **D25/199**

(58) **Field of Search** D25/199; 52/198,
52/408, 58, 60

(56) **References Cited**

U.S. PATENT DOCUMENTS

D. 397,810	*	9/1998	Basset	D25/199
3,247,632	*	4/1966	Blossom	52/58
5,718,088	*	2/1998	Jacobsen	52/58

* cited by examiner

Primary Examiner—Doris Clark

(74) *Attorney, Agent, or Firm*—Thomas R. Lampe

(57) **CLAIM**

The ornamental design for a roof flashing, as shown and described.

DESCRIPTION

FIG. 1 is a perspective view of a first embodiment of a roof flashing showing my design;

FIG. 2 is a top plan view thereof;

FIG. 3 is a bottom view thereof;

FIG. 4 is a front elevation view thereof;

FIG. 5 is a rear elevation view thereof;

FIG. 6 is a right side elevation view thereof;

FIG. 7 is a left side elevation view thereof;

FIG. 8 is a perspective view of a second embodiment of a roof flashing showing my design;

FIG. 9 is a top plan view thereof;

FIG. 10 is a bottom view thereof;

FIG. 11 is a front elevation view thereof;

FIG. 12 is a rear elevation view thereof;

FIG. 13 is a right side elevation view thereof;

FIG. 14 is a left side elevation view thereof;

FIG. 15 is a perspective view of a third embodiment of a roof flashing showing my design;

FIG. 16 is a top plan view thereof;

FIG. 17 is a bottom view thereof;

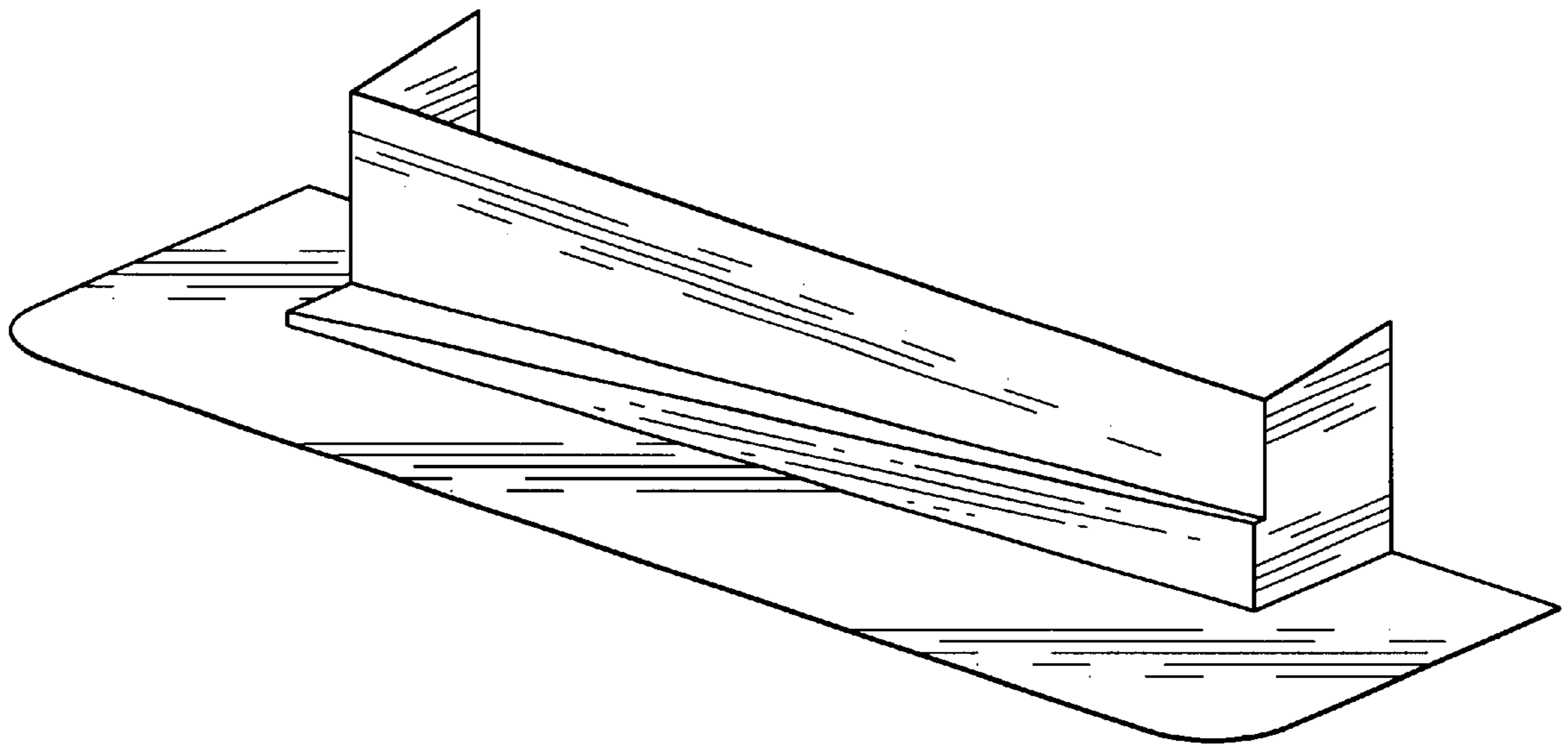
FIG. 18 is a front elevation view thereof;

FIG. 19 is a rear elevation view thereof;

FIG. 20 is a right side elevation view thereof; and,

FIG. 21 is a left side elevation view thereof.

1 Claim, 6 Drawing Sheets



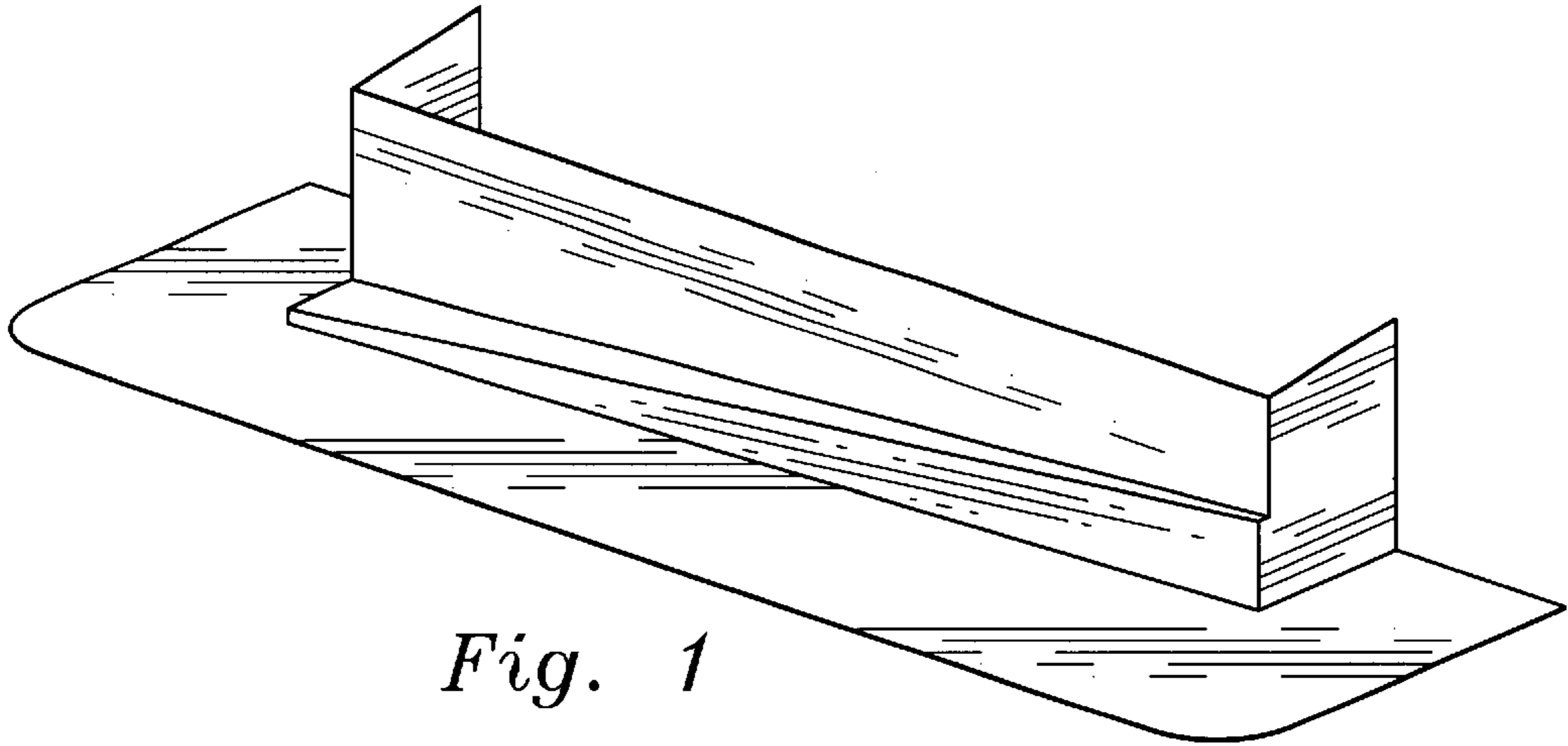


Fig. 1

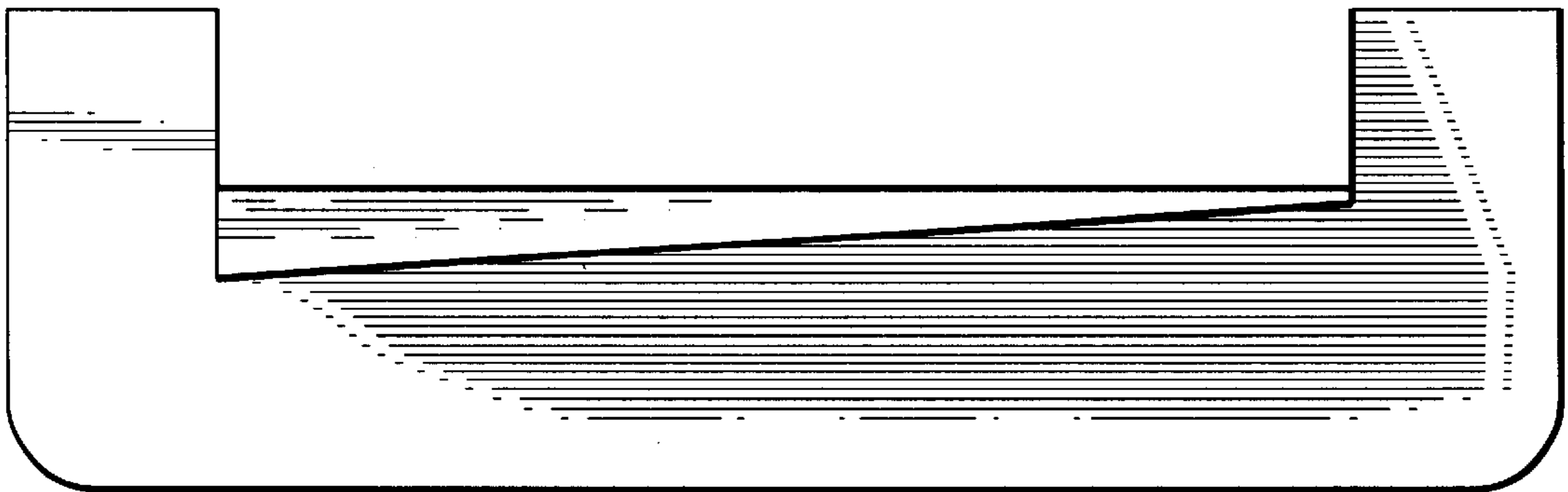


Fig. 2

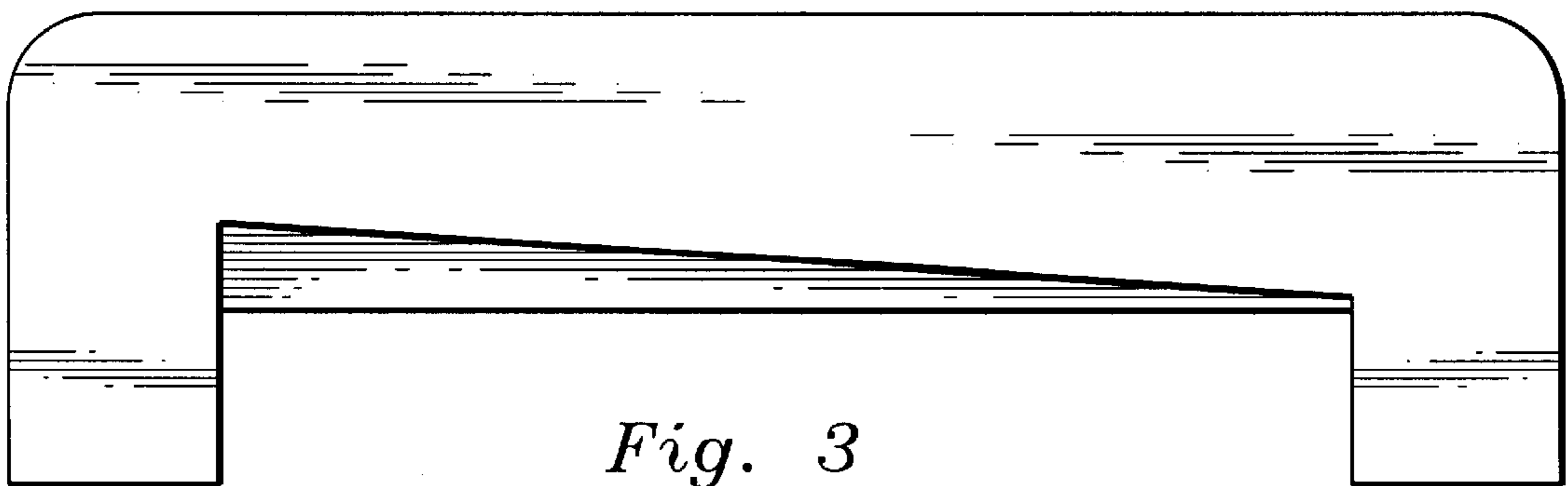


Fig. 3

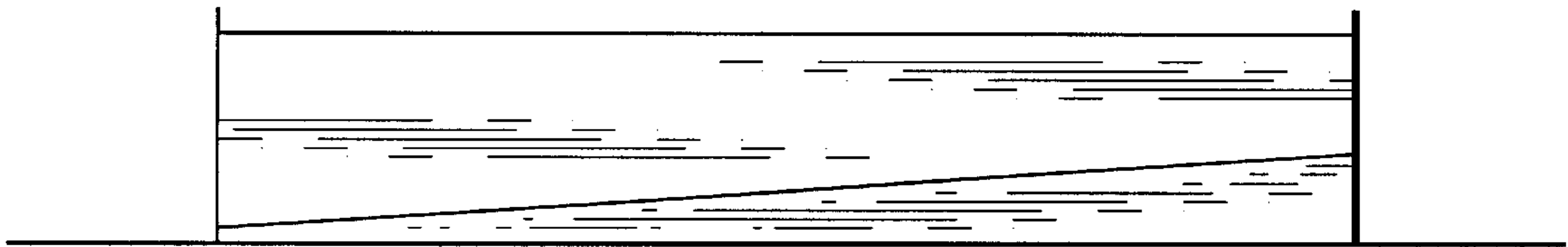


Fig. 4

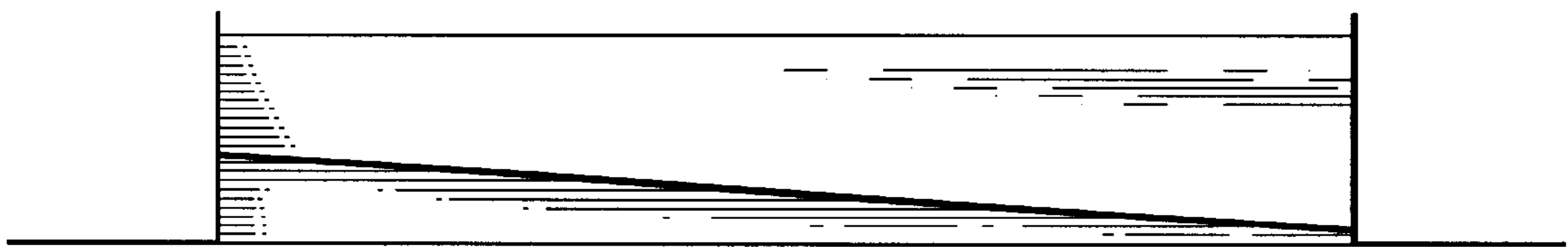


Fig. 5

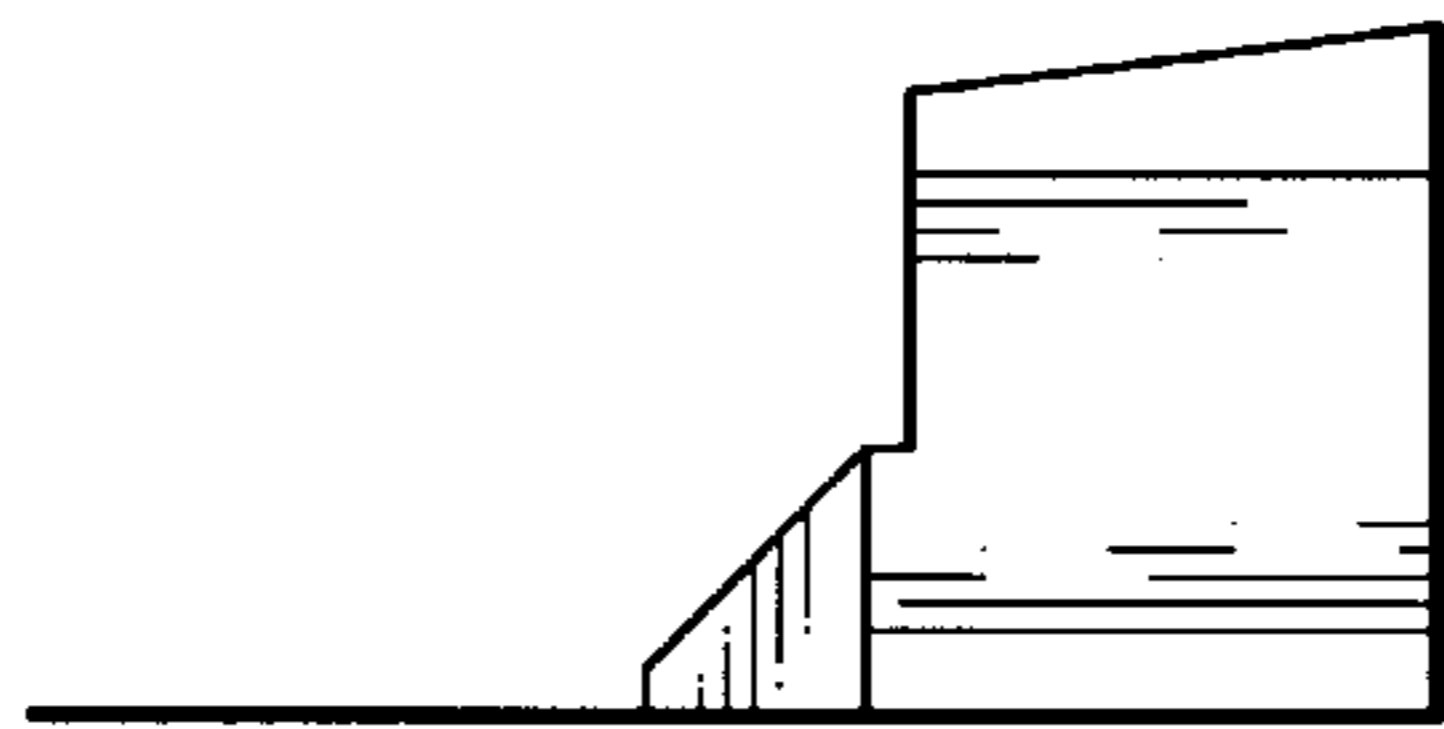


Fig. 6

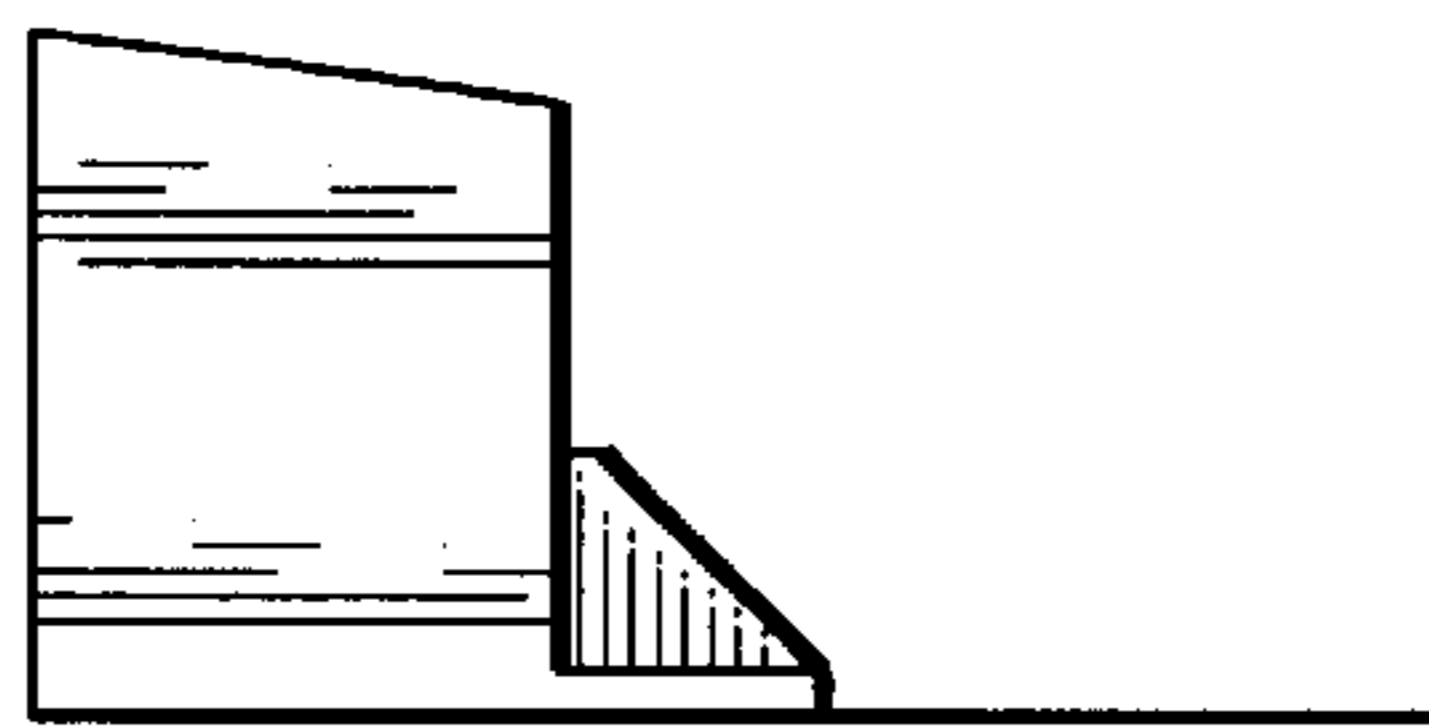


Fig. 7

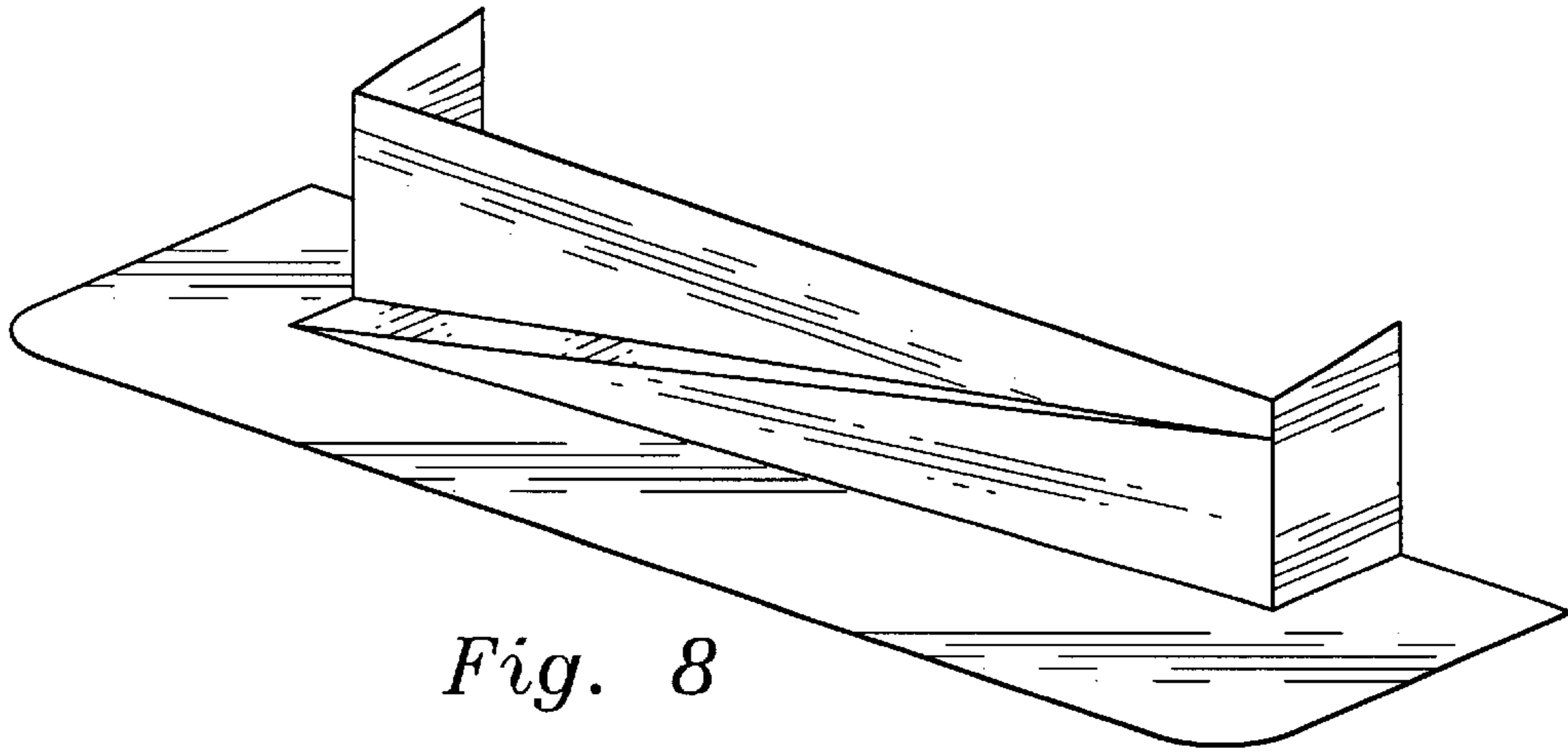


Fig. 8

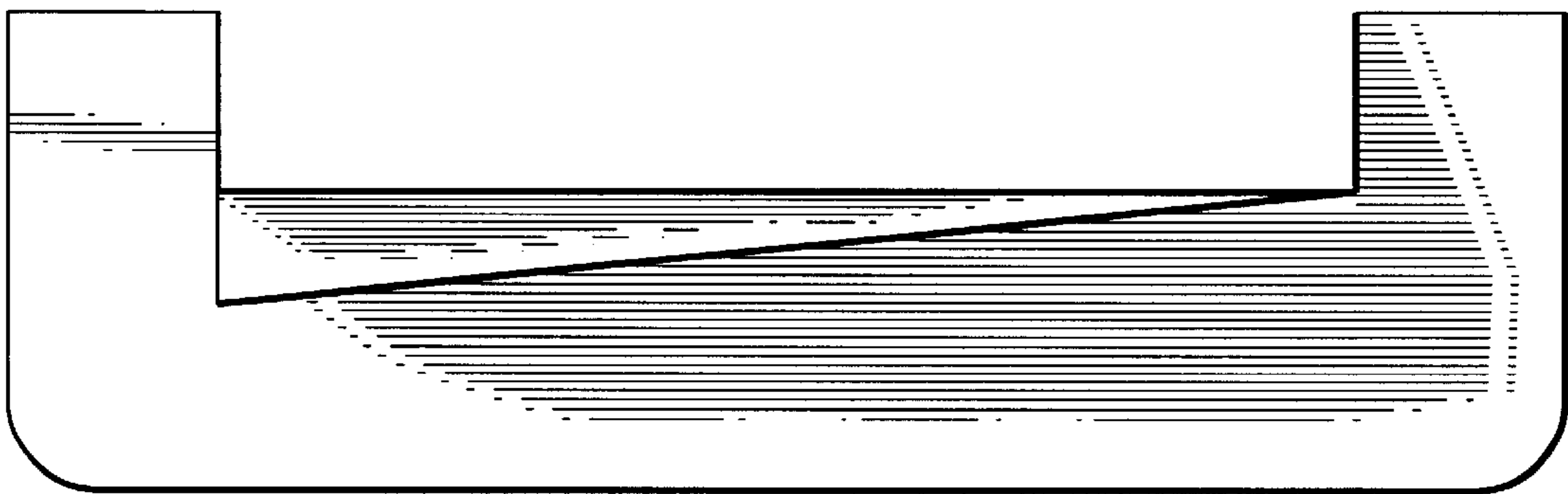


Fig. 9

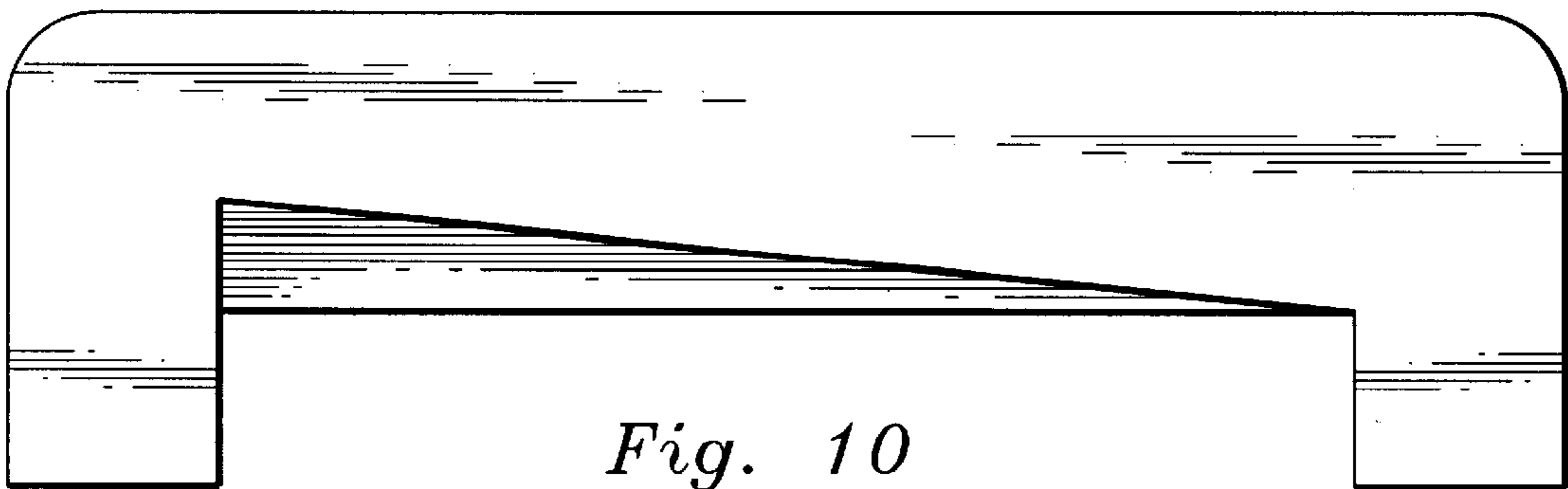


Fig. 10

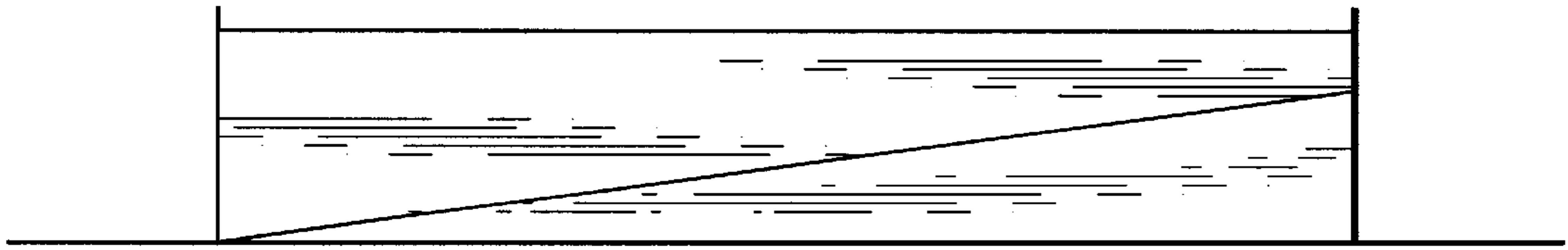


Fig. 11

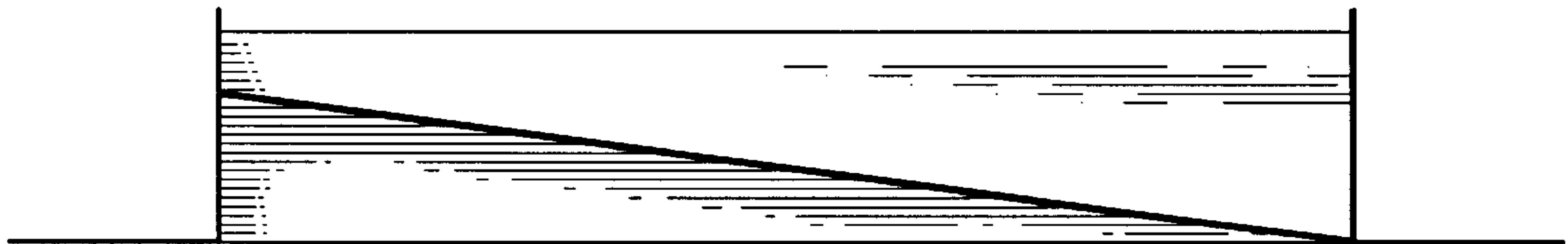


Fig. 12

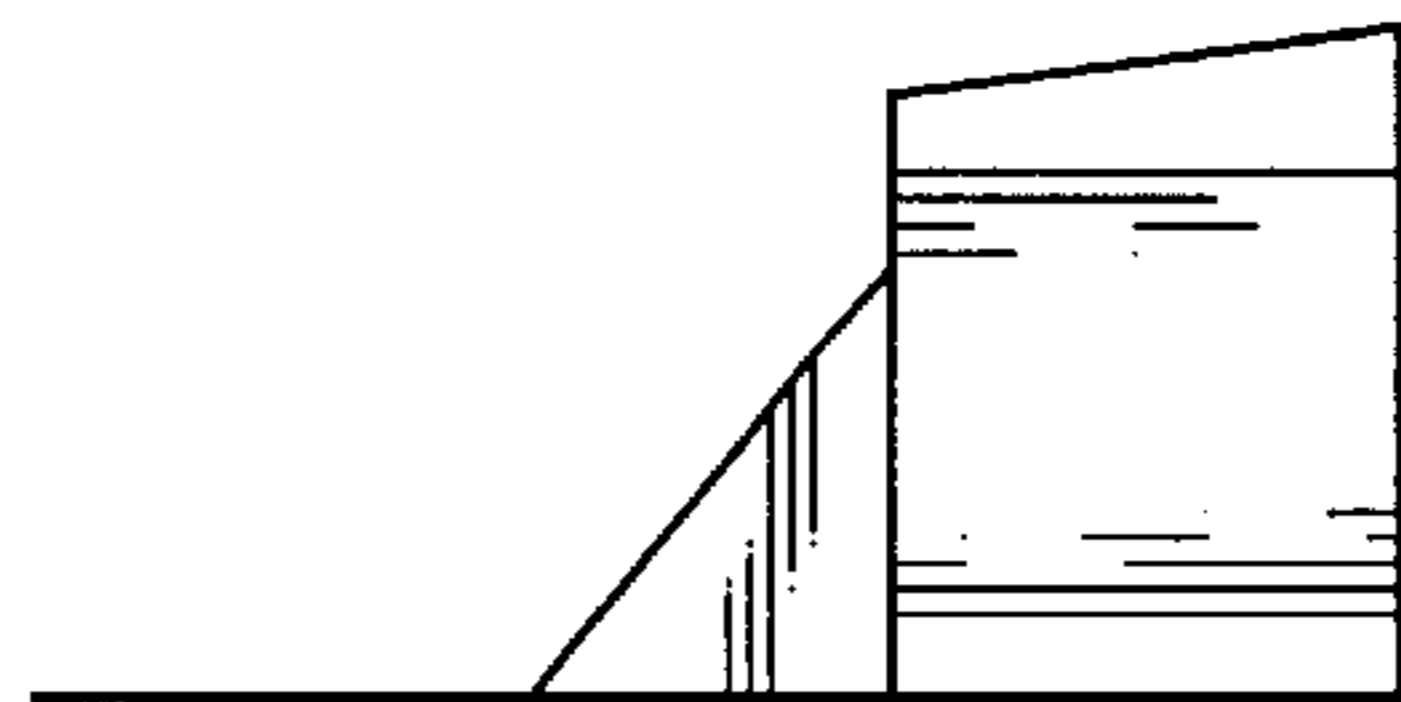


Fig. 13

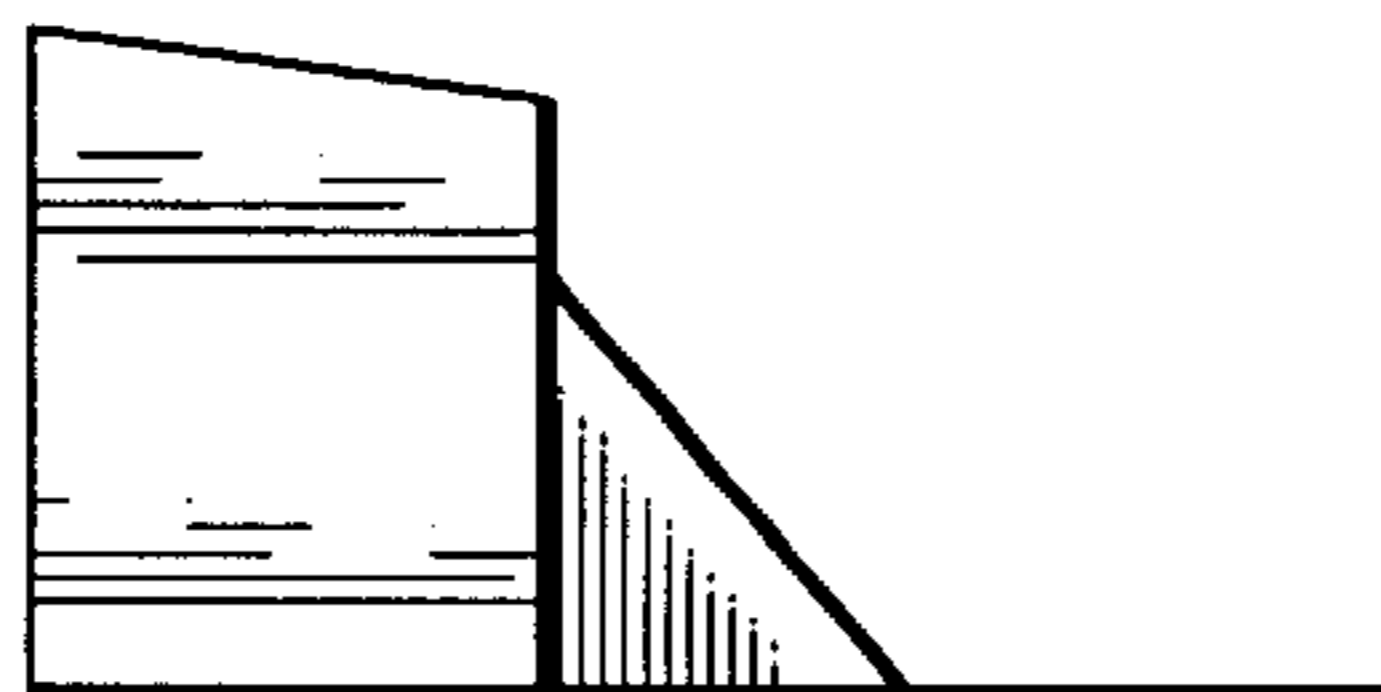


Fig. 14

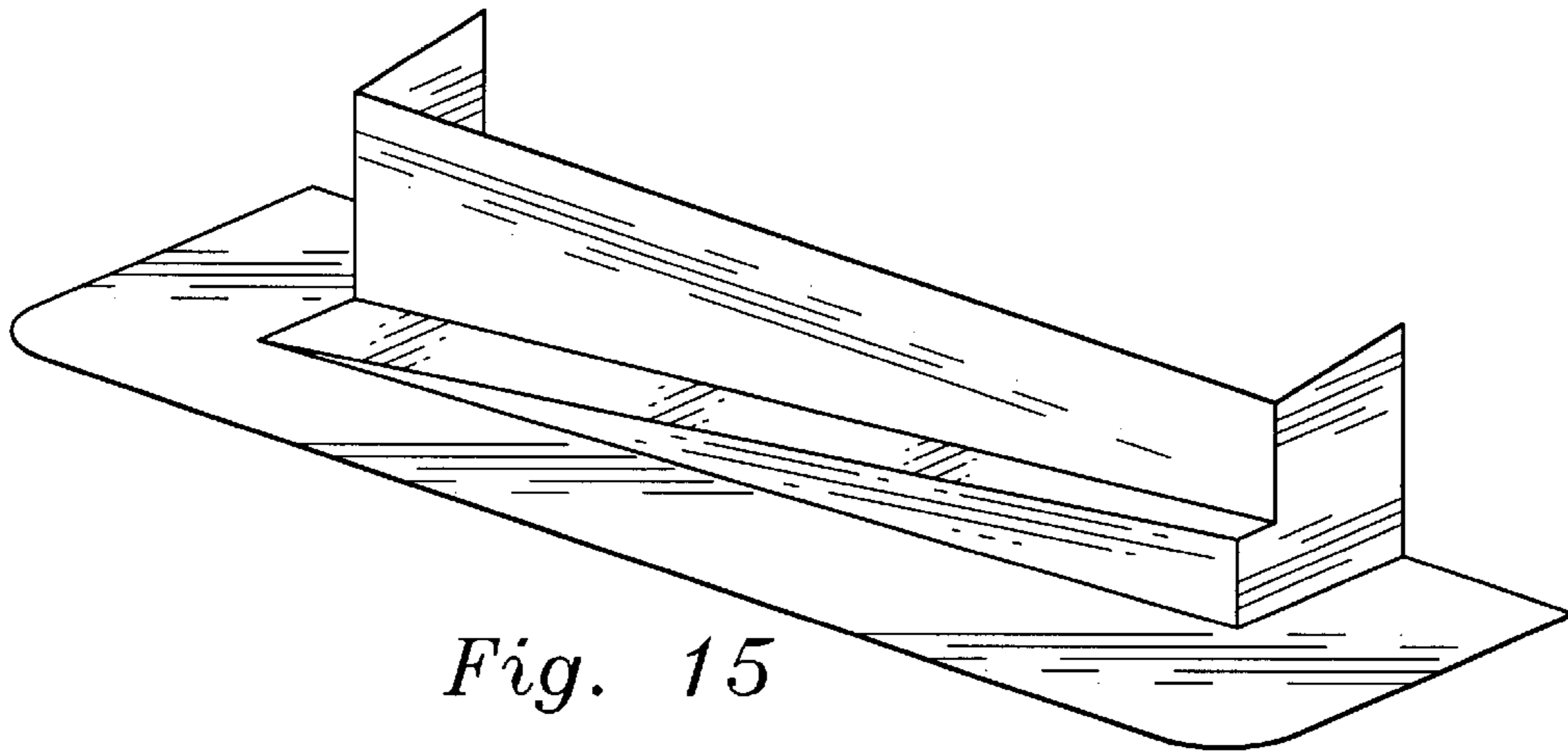


Fig. 15

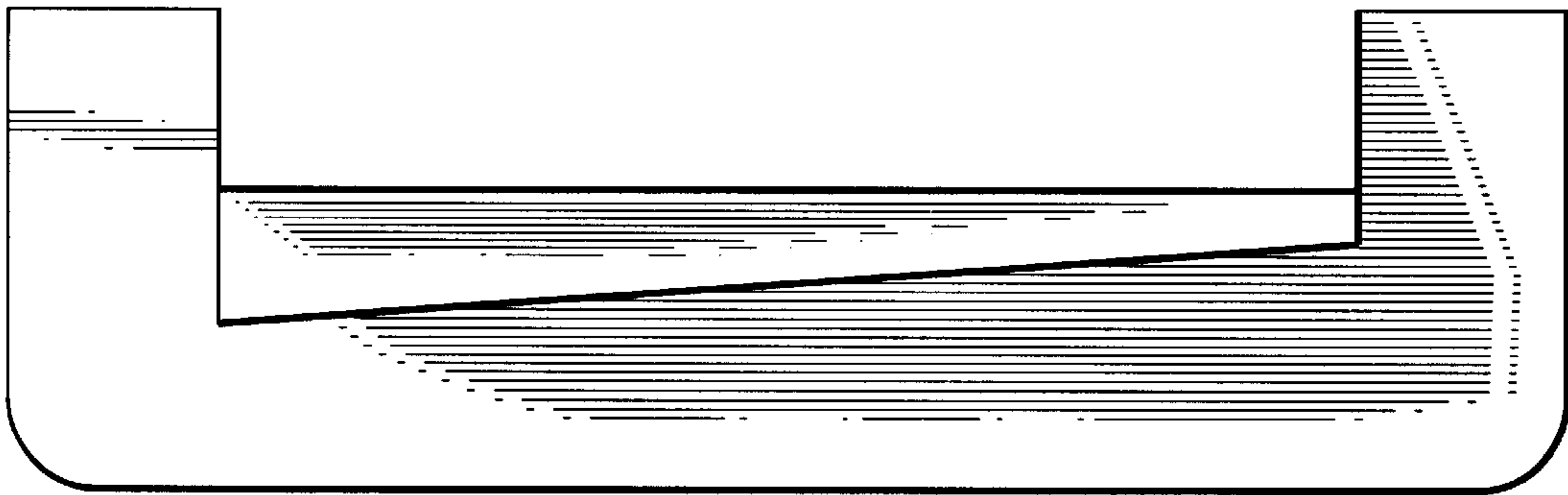


Fig. 16

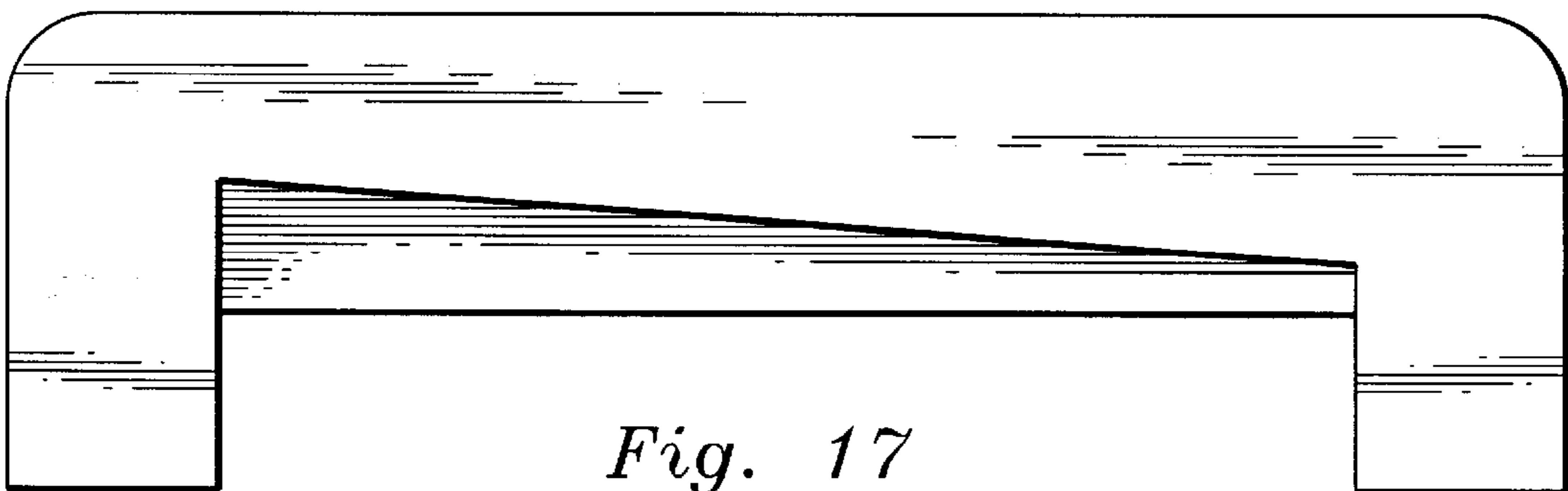


Fig. 17

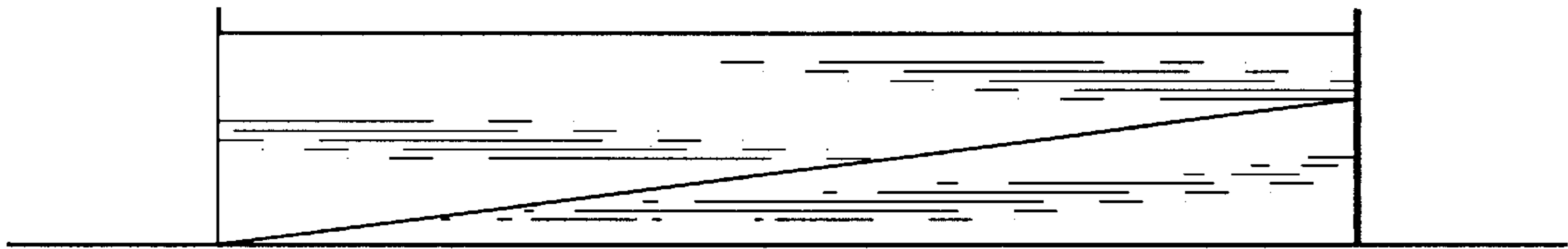


Fig. 18

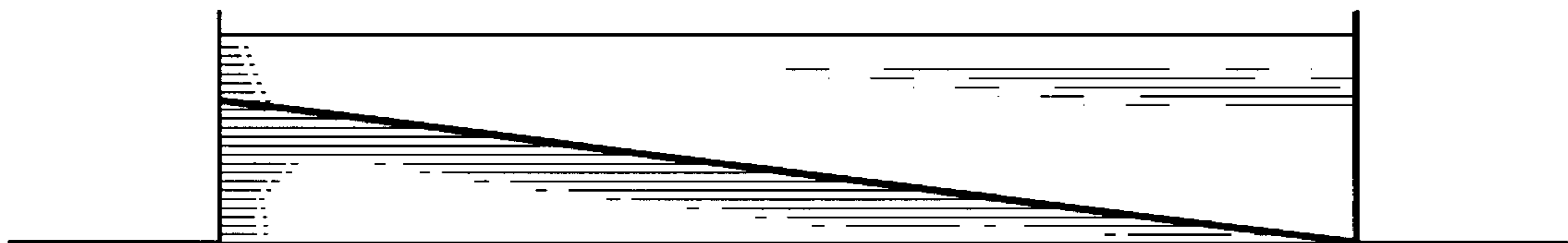


Fig. 19

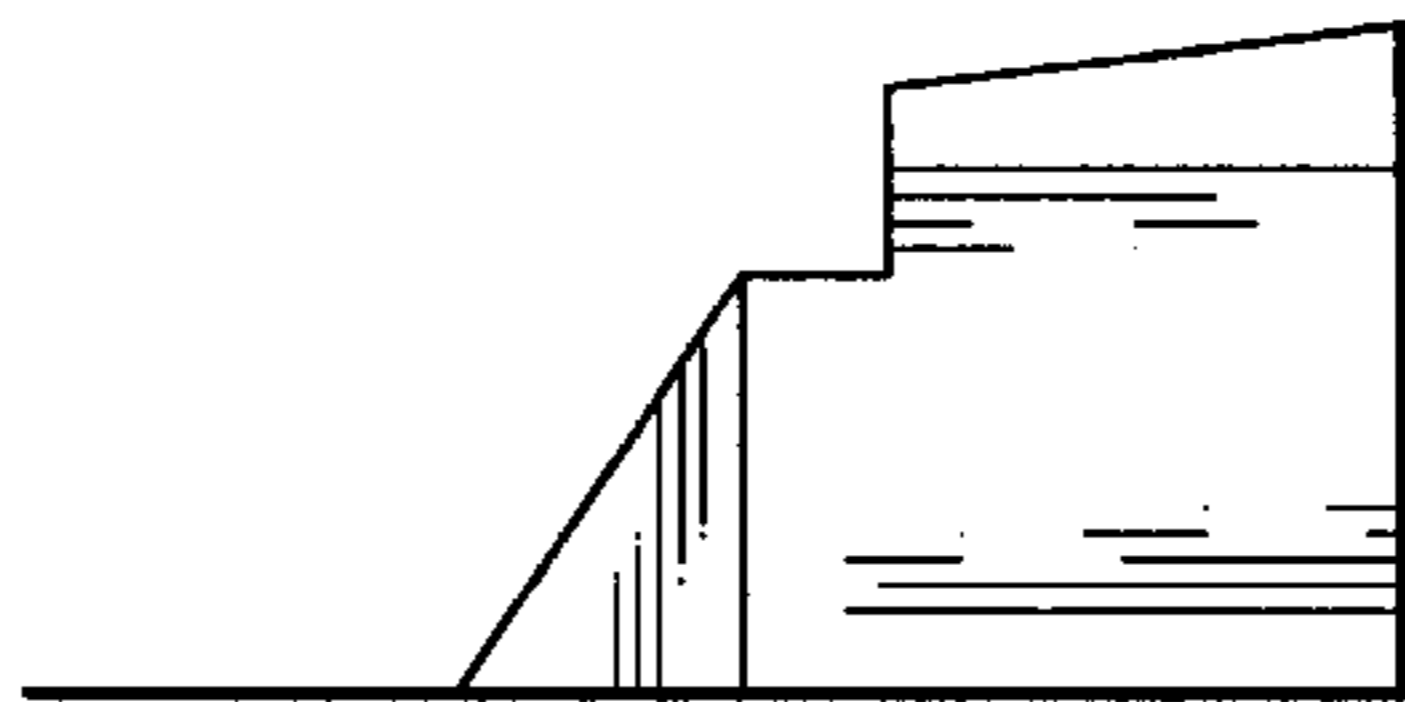


Fig. 20

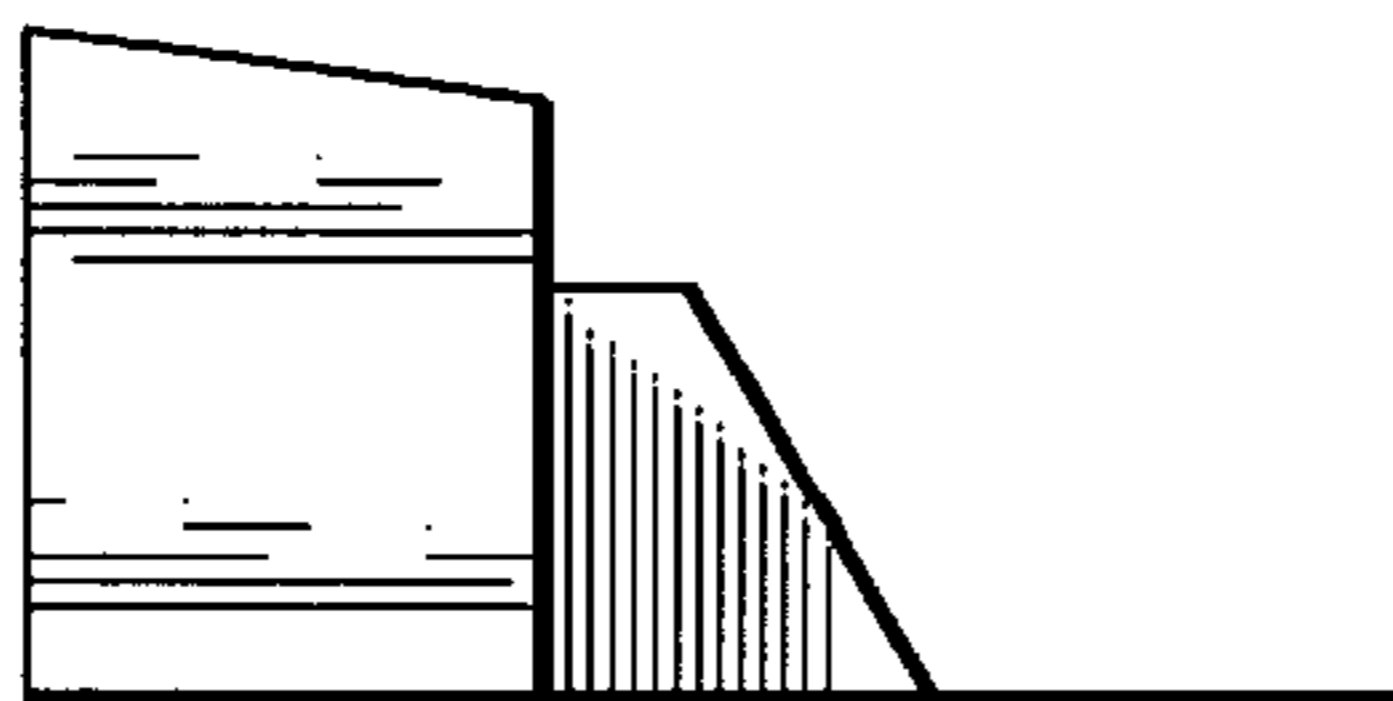


Fig. 21