



US00D448089B1

(12) **United States Design Patent**
Fening

(10) **Patent No.:** **US D448,089 S**

(45) **Date of Patent:** **** Sep. 18, 2001**

(54) **THRESHOLD END ATTACHMENT SET**

(57) **CLAIM**

The ornamental design of a threshold end attachment set, as shown and described.

(75) **Inventor:** **Thomas R. Fening**, Hamilton, OH
(US)

DESCRIPTION

(73) **Assignee:** **Imperial Products, Inc.**, Richmond, IN
(US)

FIG. 1 is a perspective view of a threshold end attachment for one end of a threshold end attachment set and showing my new design;

(**) **Term:** **14 Years**

FIG. 2 is a top view thereof;

(21) **Appl. No.:** **29/131,866**

FIG. 3 is one side view thereof;

(22) **Filed:** **Oct. 30, 2000**

FIG. 4 is an opposite side view thereof;

(51) **LOC (7) Cl.** **25-02**

FIG. 5 is a front view thereof;

(52) **U.S. Cl.** **D25/60**

FIG. 6 is a rear view thereof;

(58) **Field of Search** 49/463, 468, 469,
49/411; D25/199, 119, 60, 61, 55, 135

FIG. 7 is a bottom view thereof;

(56) **References Cited**

FIG. 8 is a perspective view of a threshold end attachment for the opposite end of the threshold end attachment set;

U.S. PATENT DOCUMENTS

D. 345,218 * 3/1994 Haskins D25/60
5,136,814 * 8/1992 Headrick 49/468

FIG. 9 is a top view of the threshold end attachment shown in FIG. 8;

* cited by examiner

FIG. 10 is a side view of the threshold end attachment shown in FIG. 8;

Primary Examiner—Doris Clark

FIG. 11 is an opposite side view of the threshold end attachment shown in FIG. 8;

(74) *Attorney, Agent, or Firm*—Jacox, Meckstroth & Jenkins

FIG. 12 is a front view of the threshold end attachment shown in FIG. 8;

FIG. 13 is a rear view of the threshold end attachment shown in FIG. 8; and,

FIG. 14 is a bottom view of the threshold end attachment shown in FIG. 8.

1 Claim, 4 Drawing Sheets

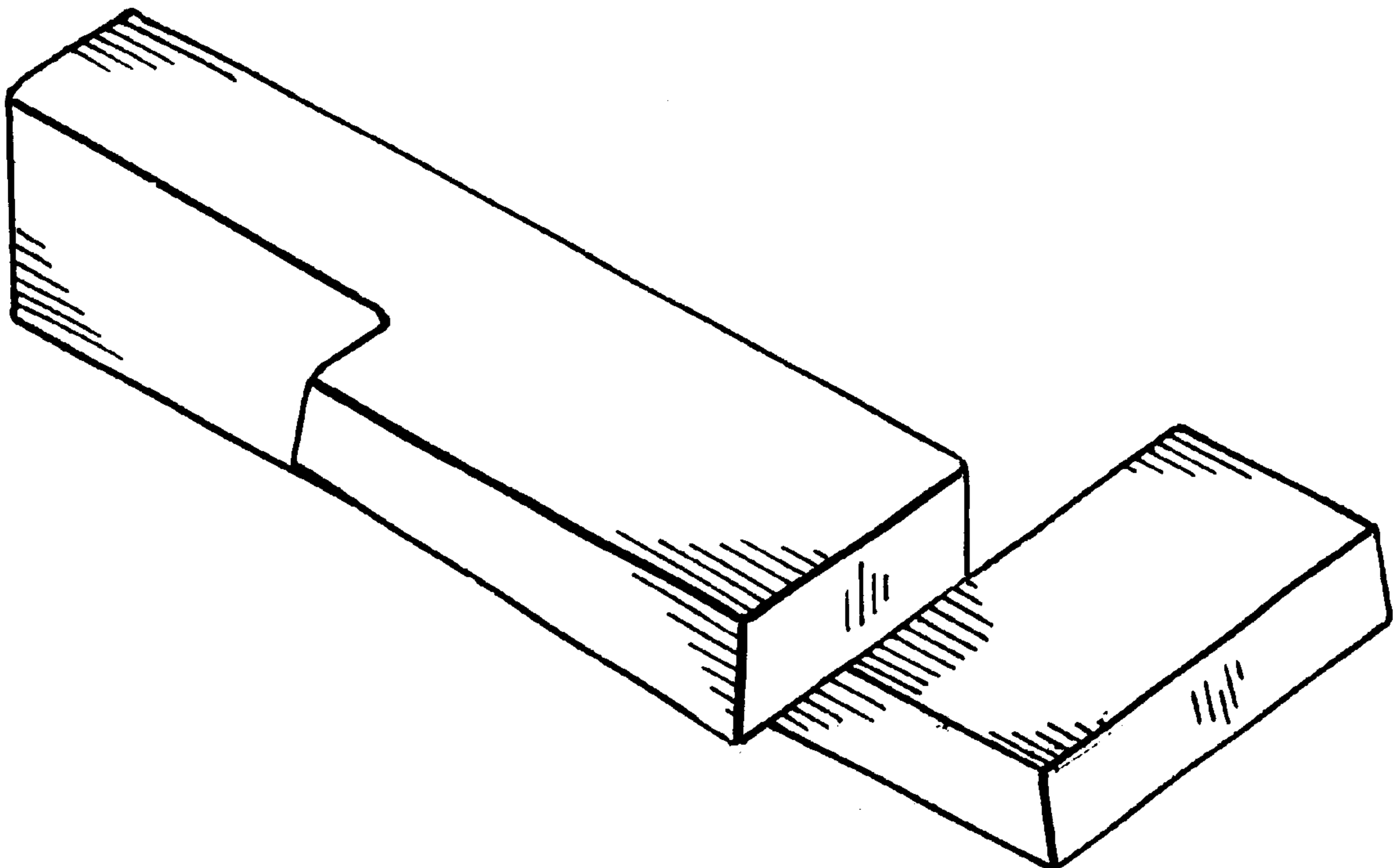


FIG-1

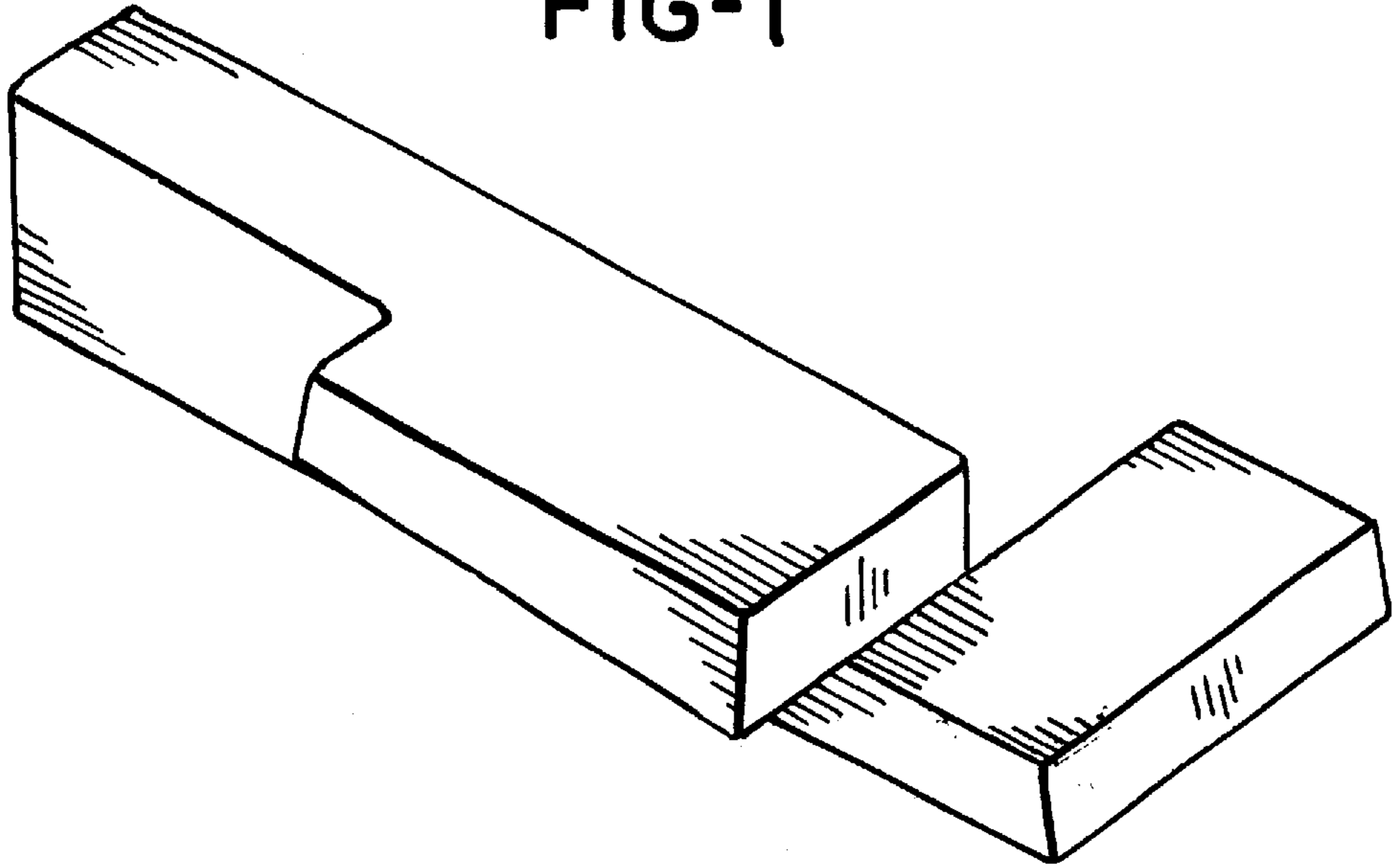


FIG-2

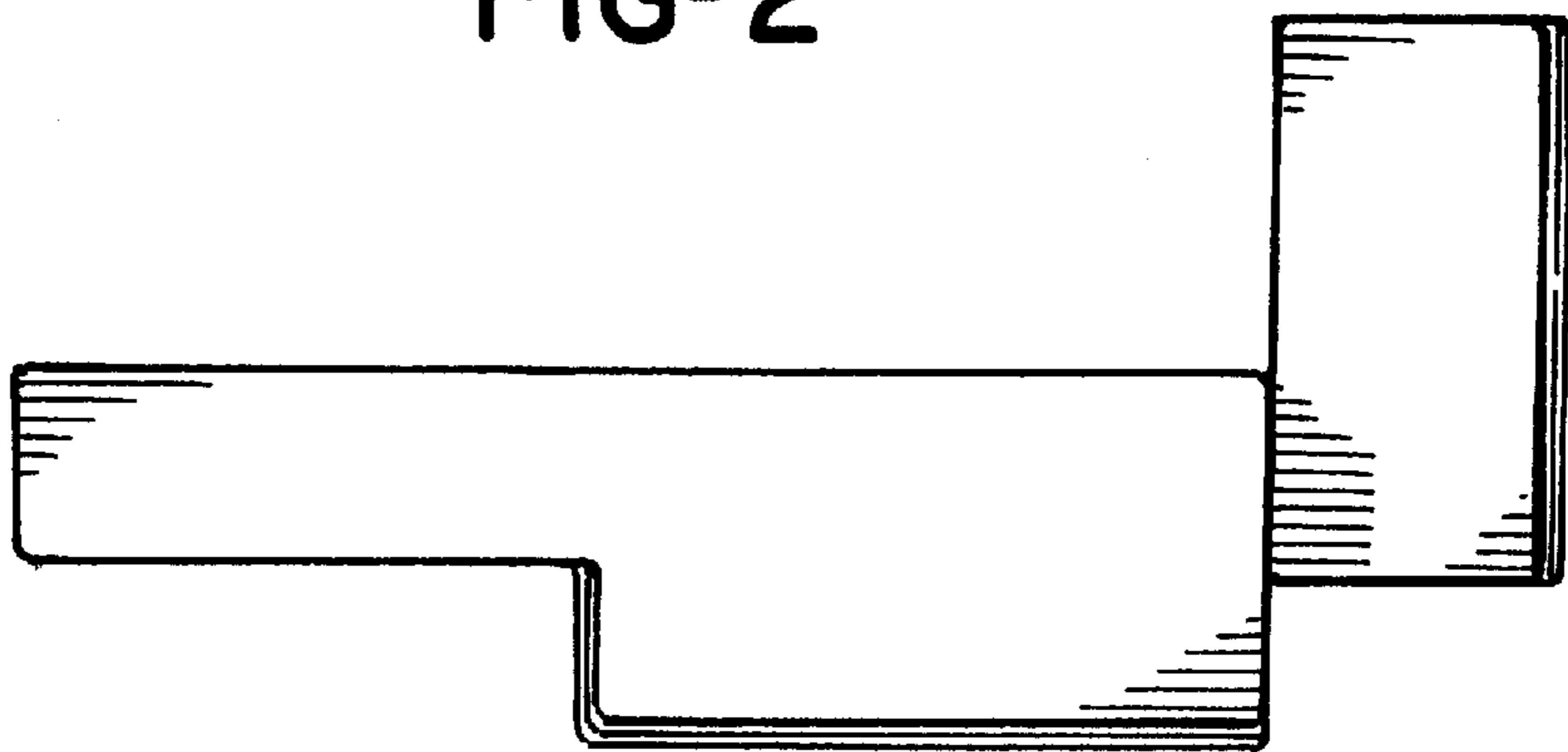


FIG-3

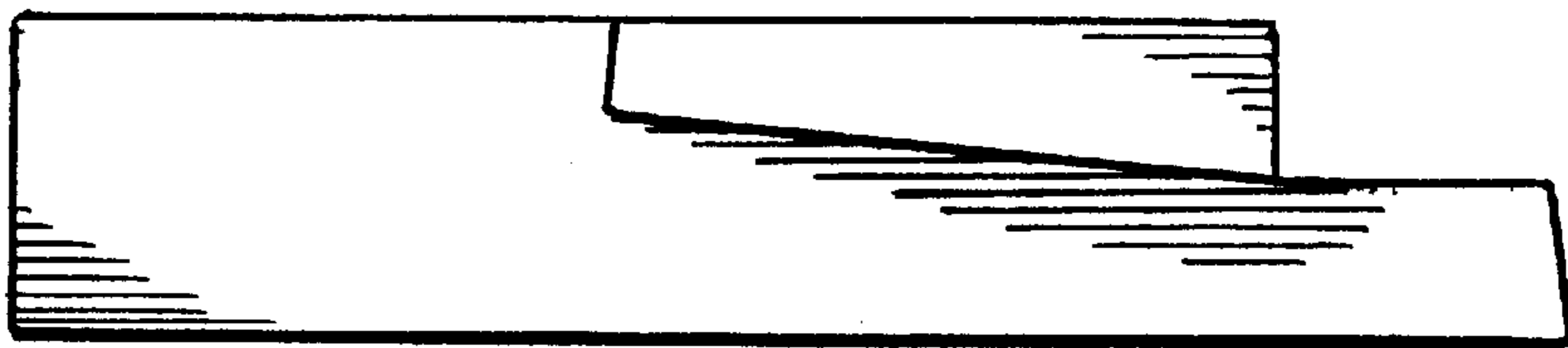


FIG-4

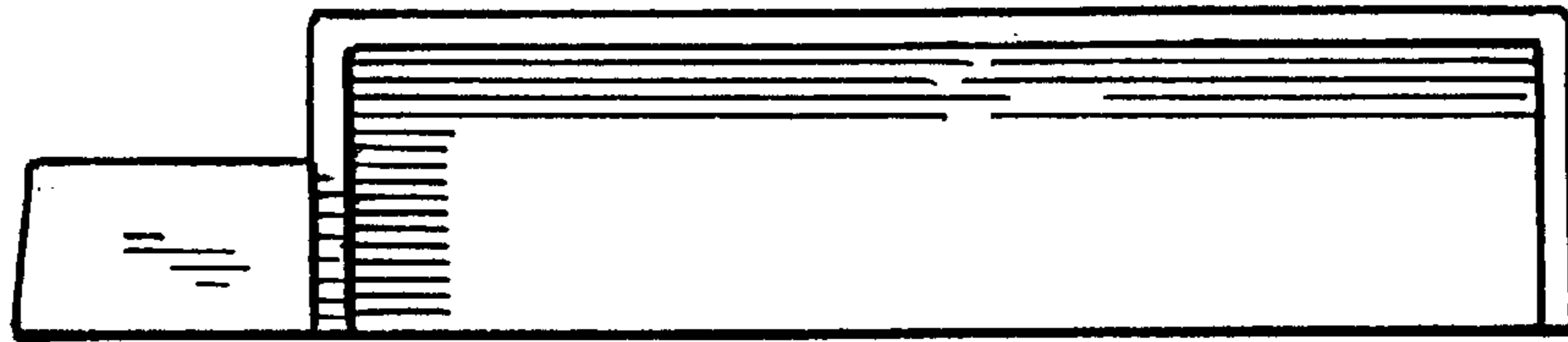


FIG-5

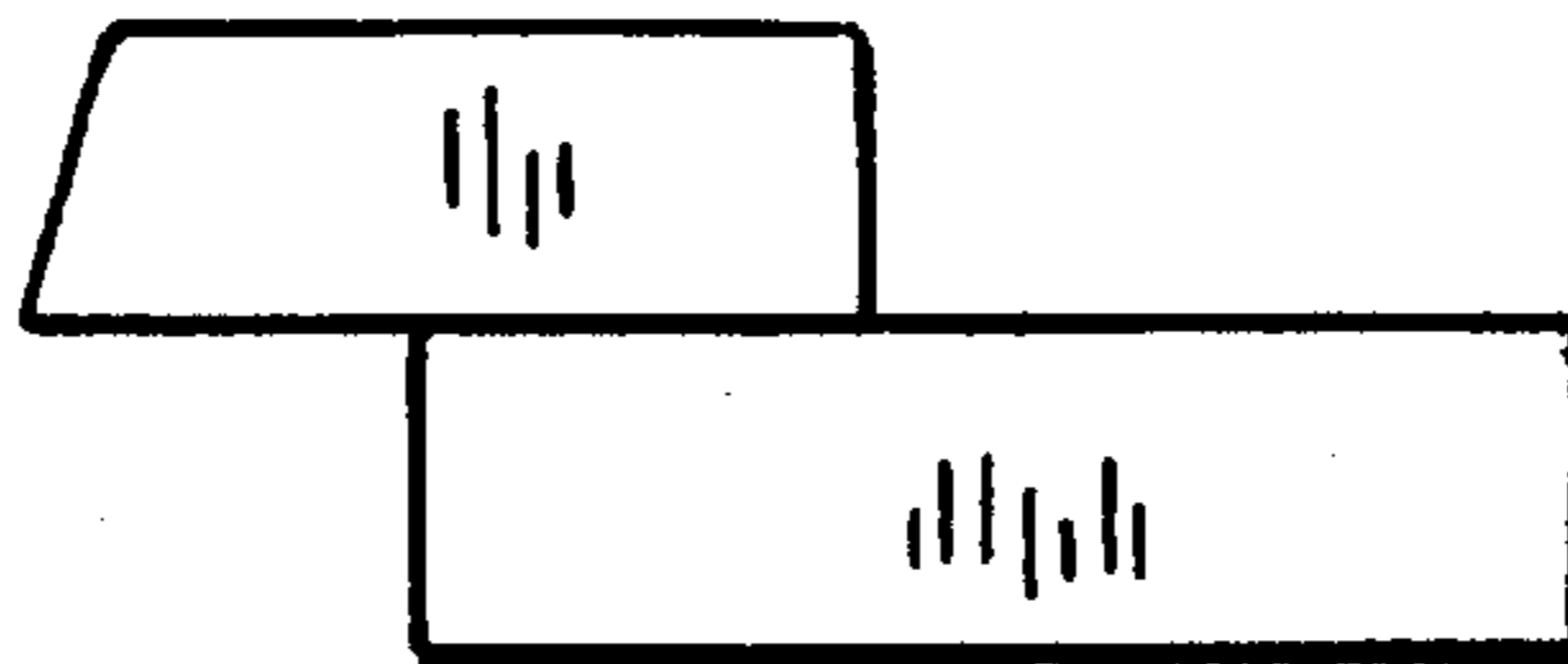


FIG-6

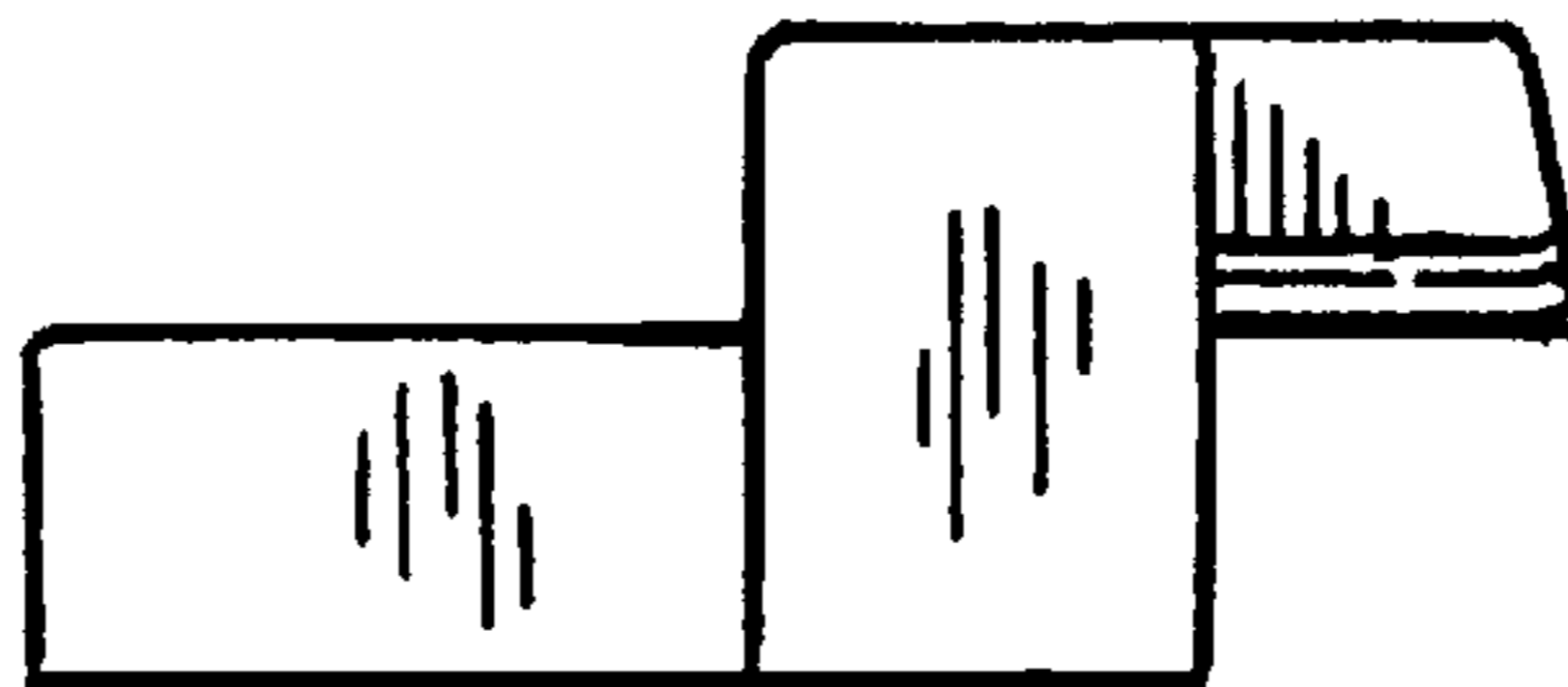


FIG-7

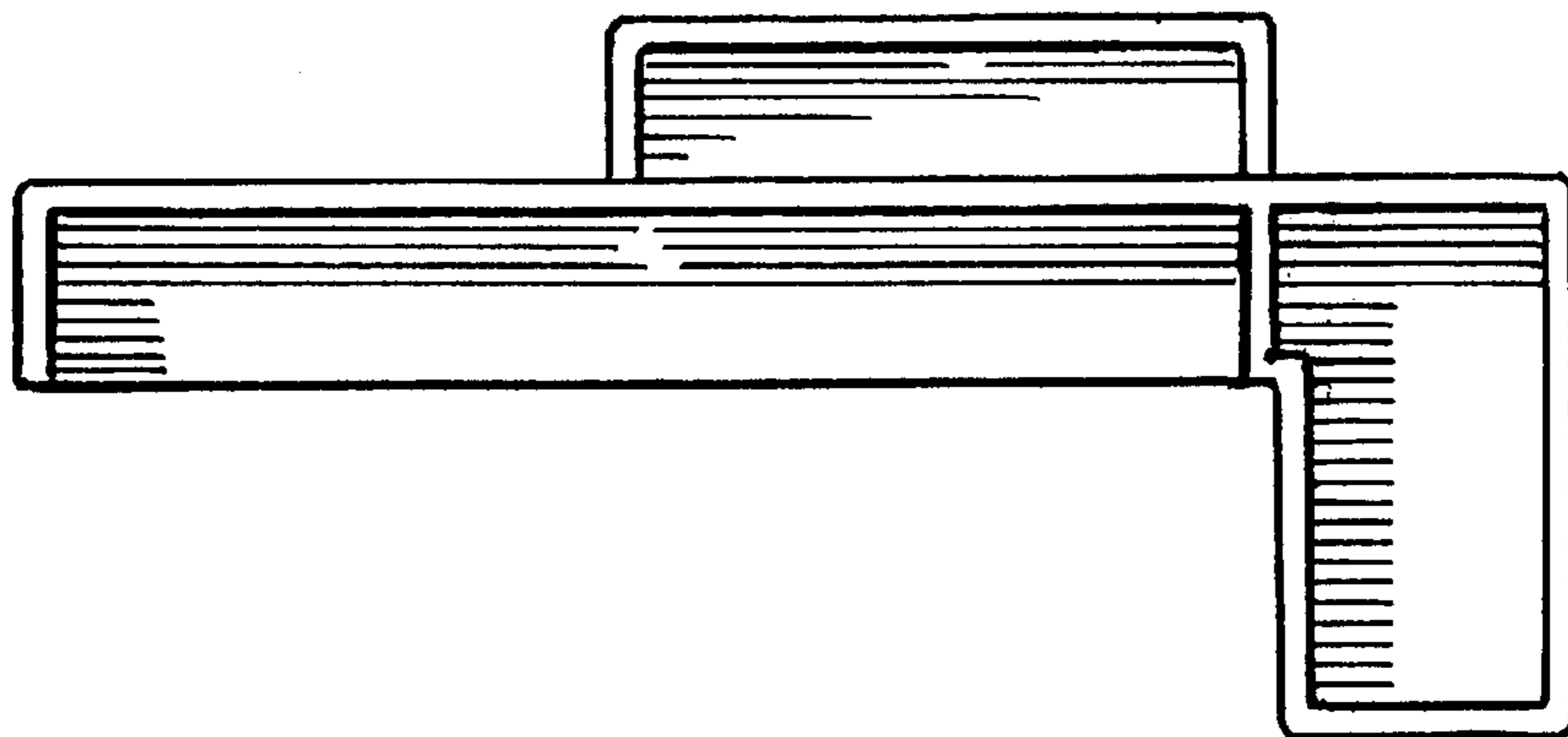


FIG-8

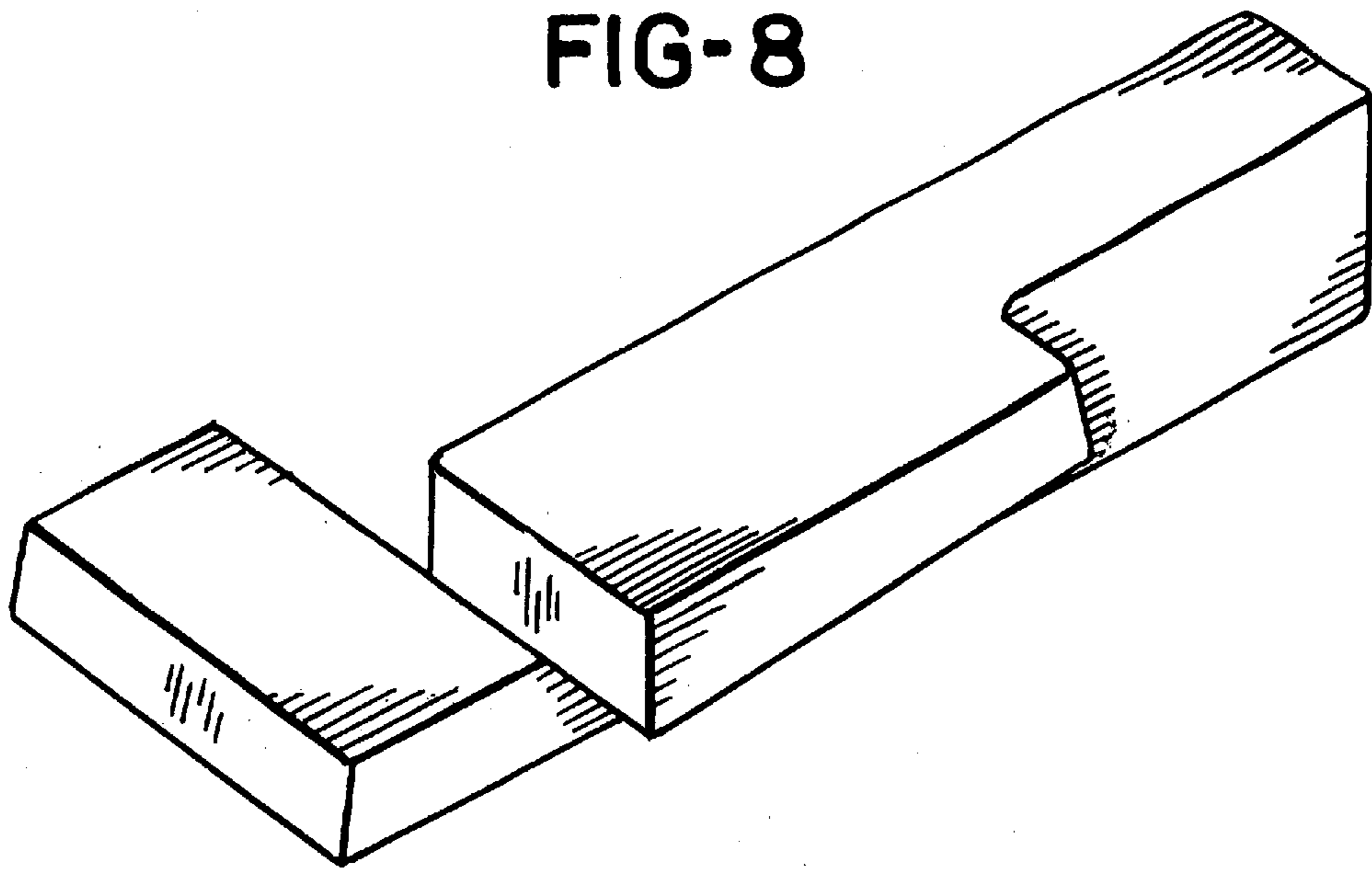


FIG-9

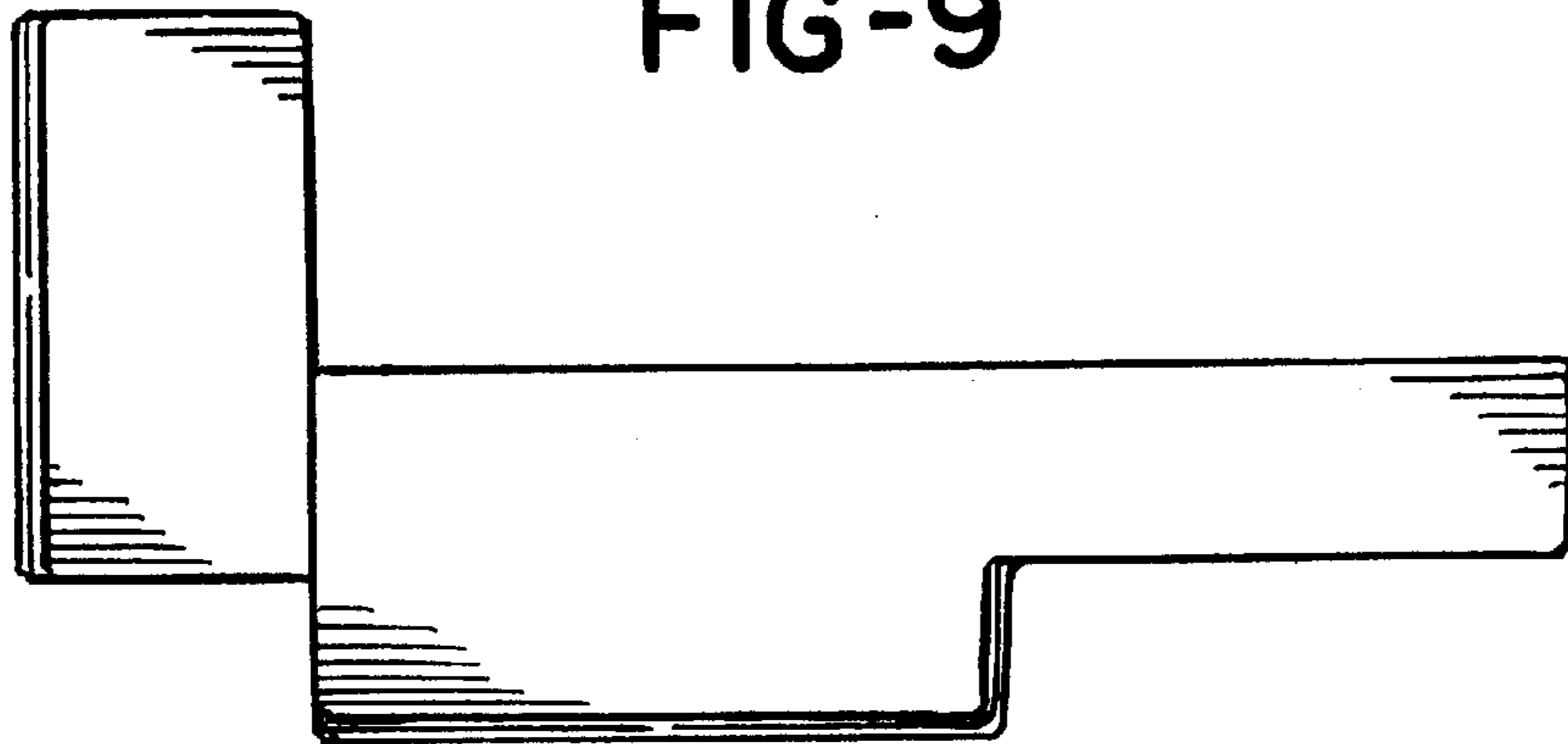


FIG-10

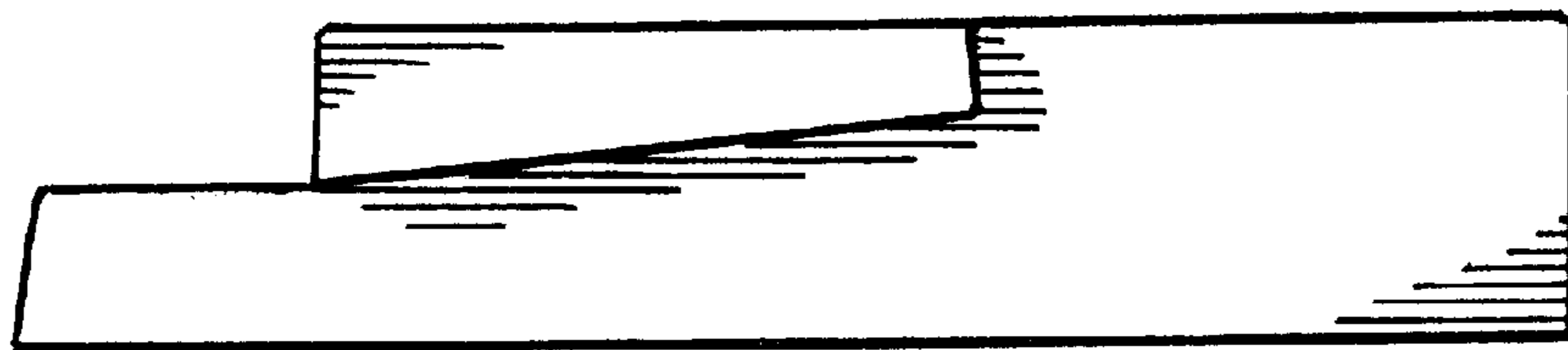


FIG-11

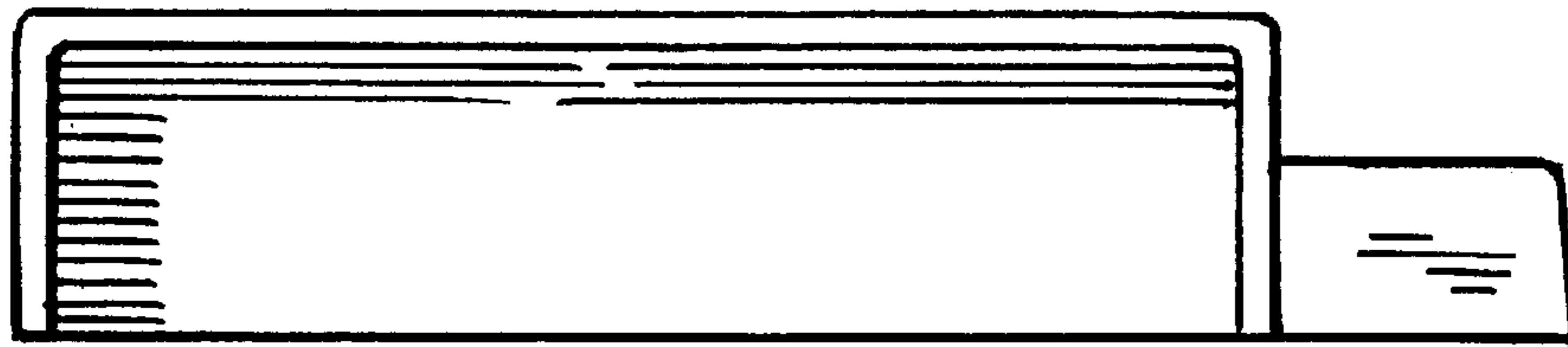


FIG-12

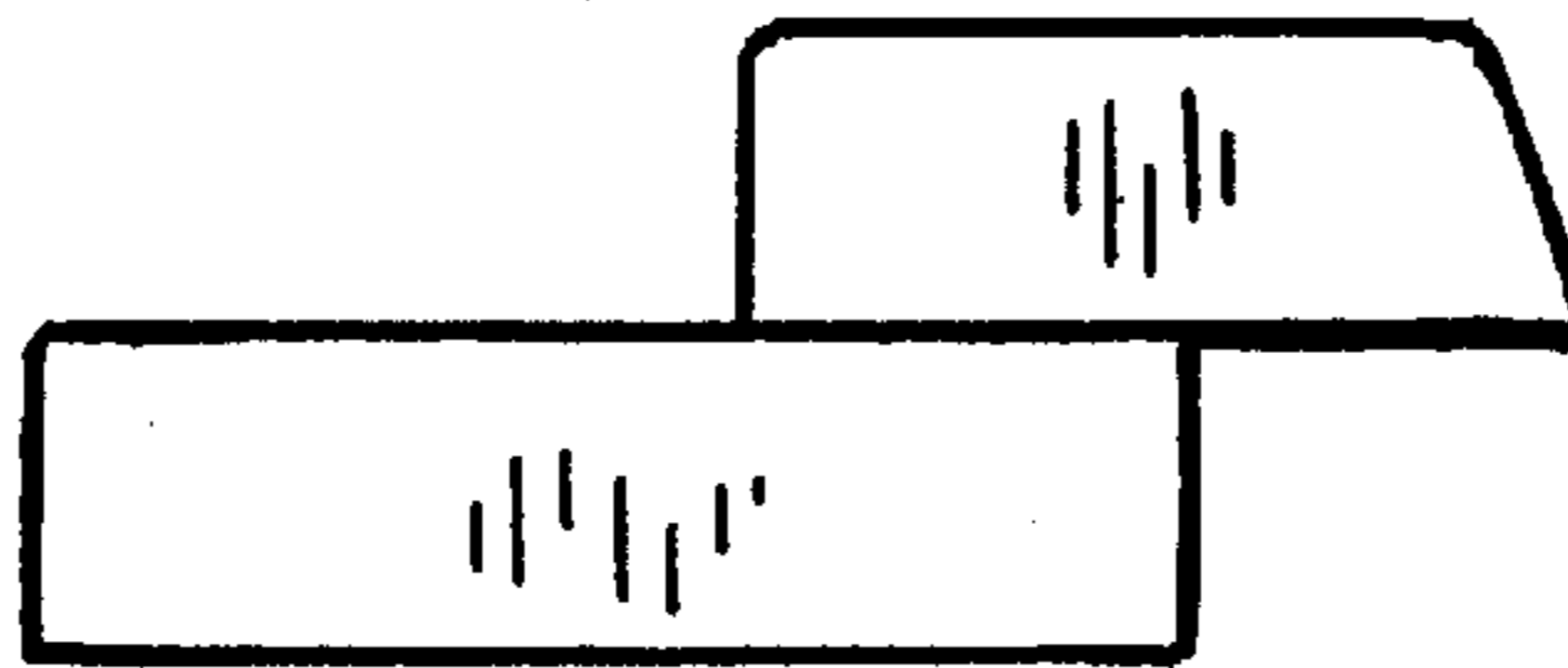


FIG-13

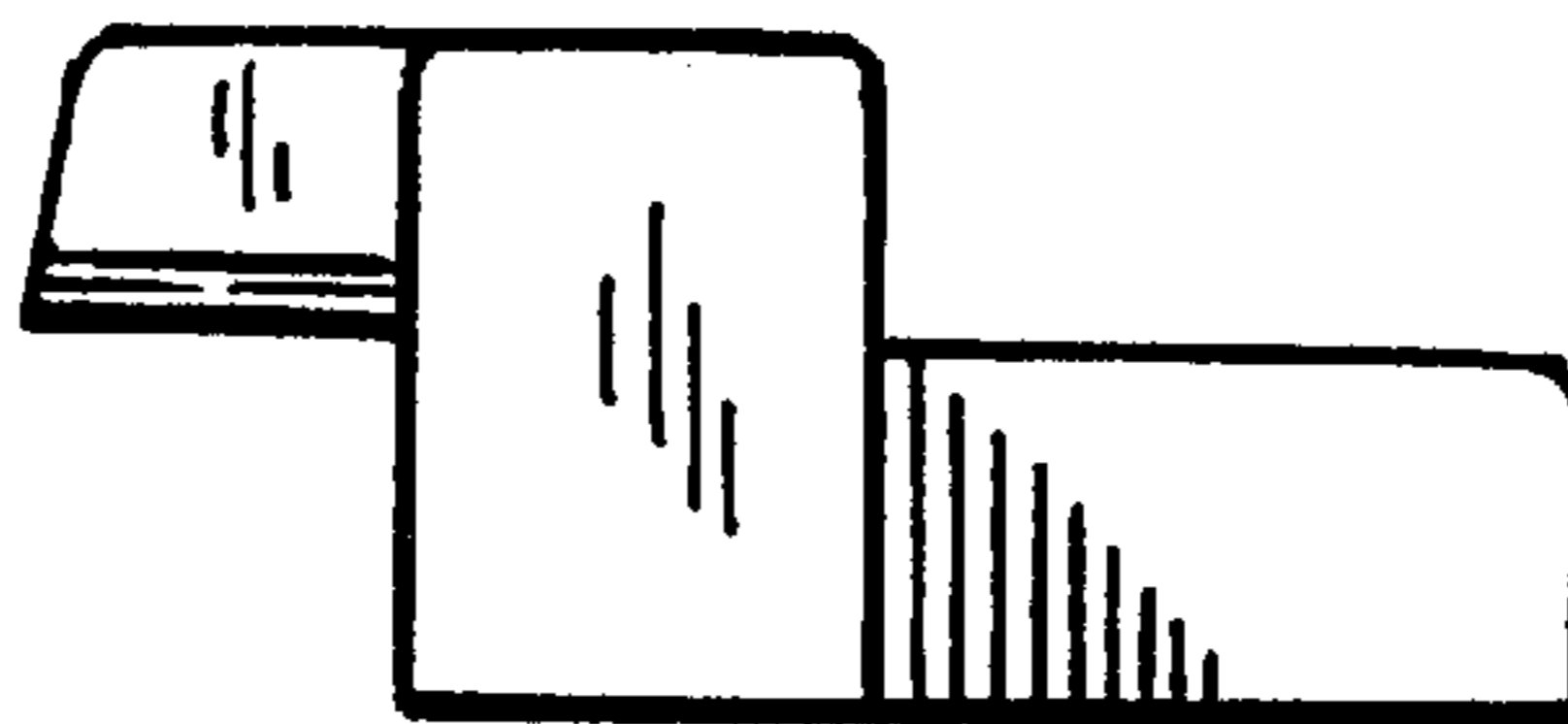


FIG-14

