



US00D448088B1

(12) **United States Design Patent** (10) **Patent No.:** **US D448,088 S**
McFee (45) **Date of Patent:** **** Sep. 18, 2001**

(54) **SMALL PET DOOR**

(75) Inventor: **Warren McFee**, Preston (GB)

(73) Assignee: **Reilor Limited**, Preston (GB)

(**) Term: **14 Years**

(21) Appl. No.: **29/131,676**

(22) Filed: **Oct. 26, 2000**

(30) **Foreign Application Priority Data**

Apr. 28, 2000 (GB) 2092520

(51) **LOC (7) Cl.** **25-02**

(52) **U.S. Cl.** **D25/48**

(58) **Field of Search** D25/48; 49/169

(56) **References Cited**

U.S. PATENT DOCUMENTS

D. 322,129 * 12/1991 Matsumoto et al. D25/48

D. 406,904 * 3/1999 Sronce D25/48

1,186,565 * 6/1916 Fogg 49/169

4,969,292 11/1990 Reid et al. 49/169

5,469,659 11/1995 Reid et al. 49/169

6,141,911 11/2000 Reid 49/394

FOREIGN PATENT DOCUMENTS

2 305 211 4/1997 (GB) .

* cited by examiner

Primary Examiner—Doris Clark

(74) *Attorney, Agent, or Firm*—Niels & Lemack

(57) **CLAIM**

The ornamental design for a small pet door, as shown and described.

DESCRIPTION

The present invention relates to a small pet door. The frames are joined together sandwiching a house door.

FIG. 1 is a perspective view from a first side of the pet door of the present invention;

FIG. 2 is a perspective view from a second side opposite the first side of the pet door of the present invention;

FIG. 3 is a front view of the first frame member of the pet door of the present invention, the outer member disclosed in FIG. 1 has been eliminated for ease of illustration;

FIG. 4 is a rear view of the first frame member of the pet door of the present invention;

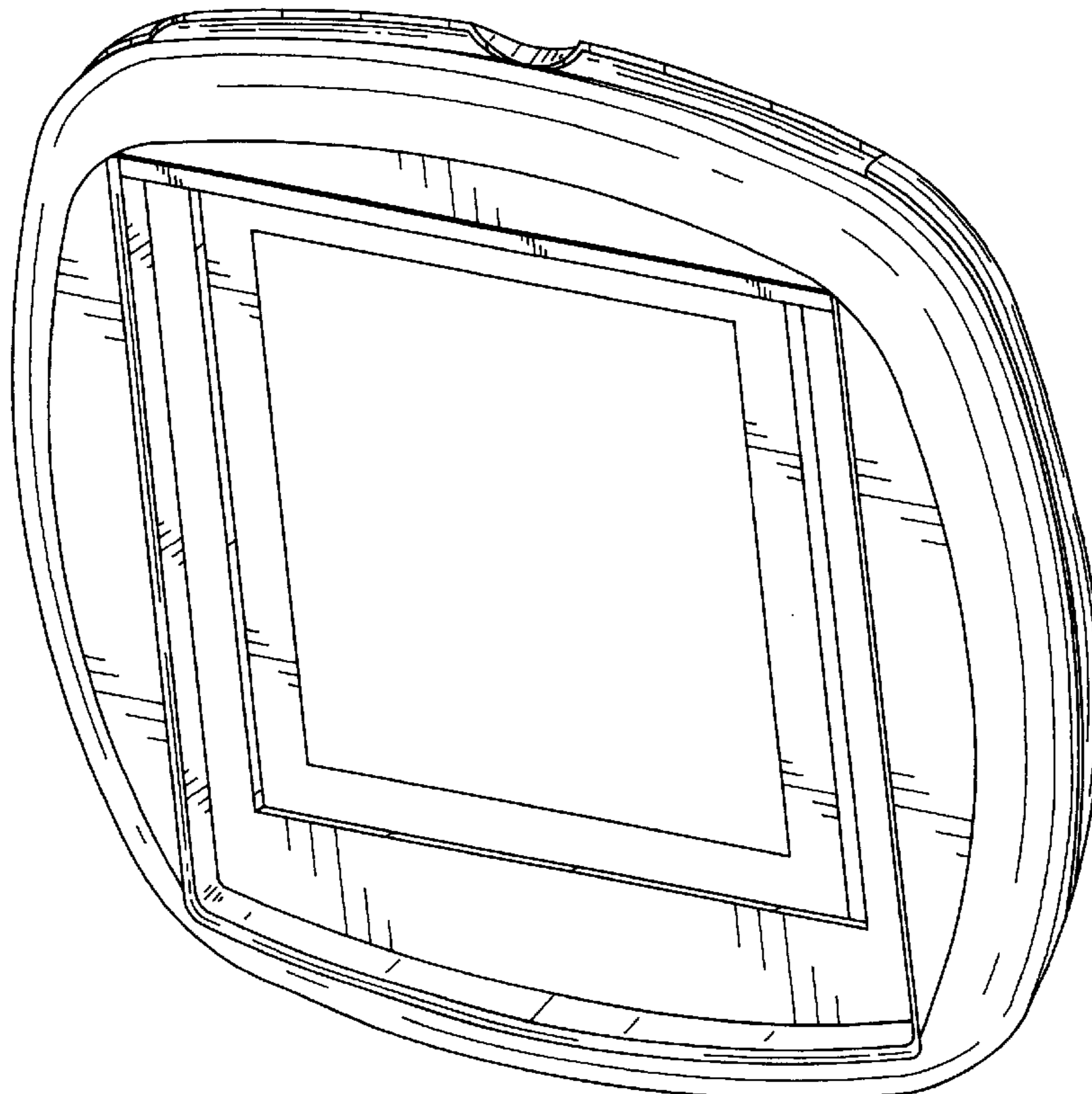
FIG. 5 is a perspective view of the first frame member of the pet door of the present invention;

FIG. 6 is a front view of the second frame member of the pet door of the present invention, the first frame member in FIG. 3 has been eliminated for ease of illustration;

FIG. 7 is a rear view of the second frame member of the pet door of the present invention; and,

FIG. 8 is a perspective view of the second frame member of the pet door of the present invention.

1 Claim, 8 Drawing Sheets



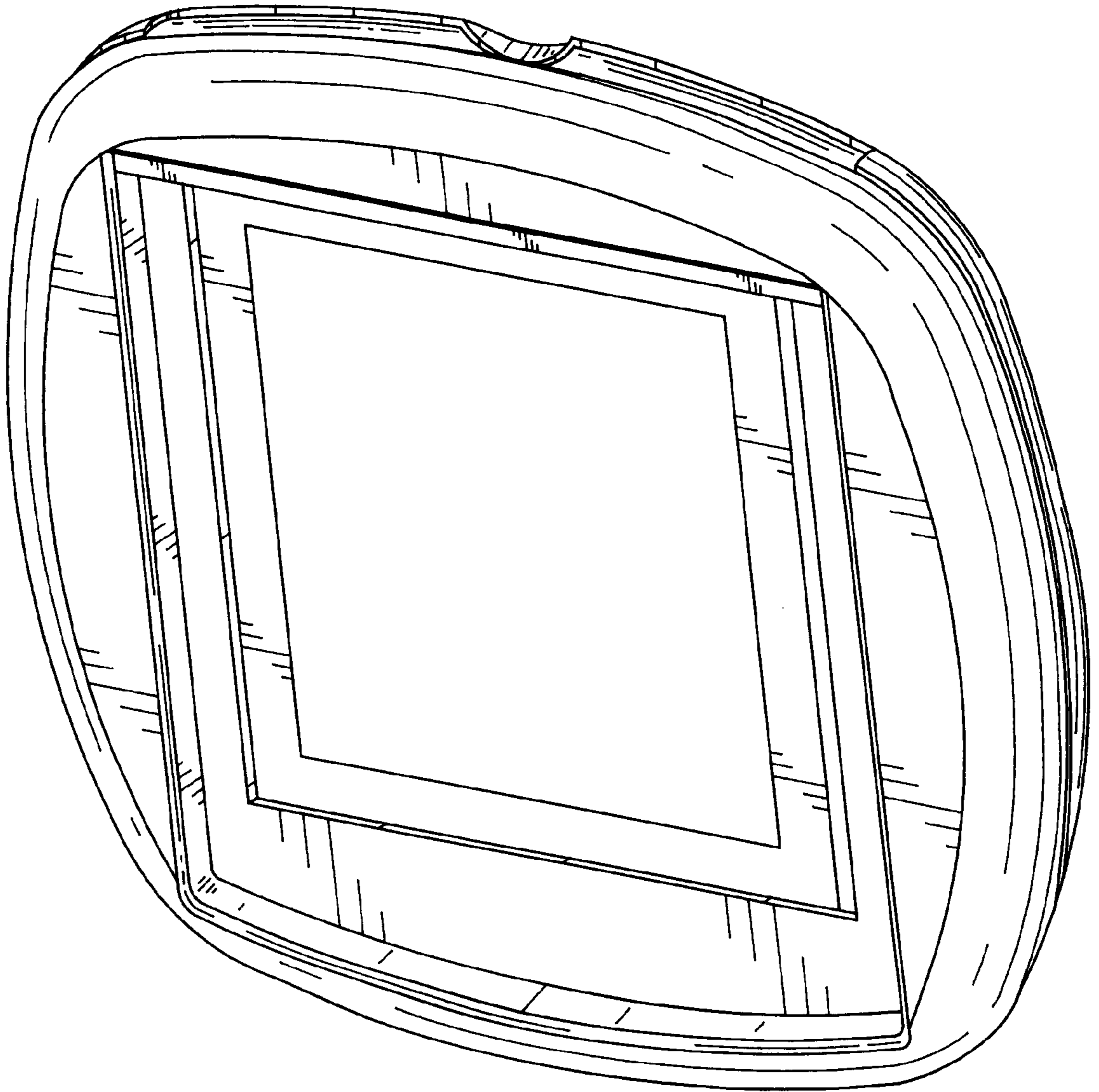


FIG. 1

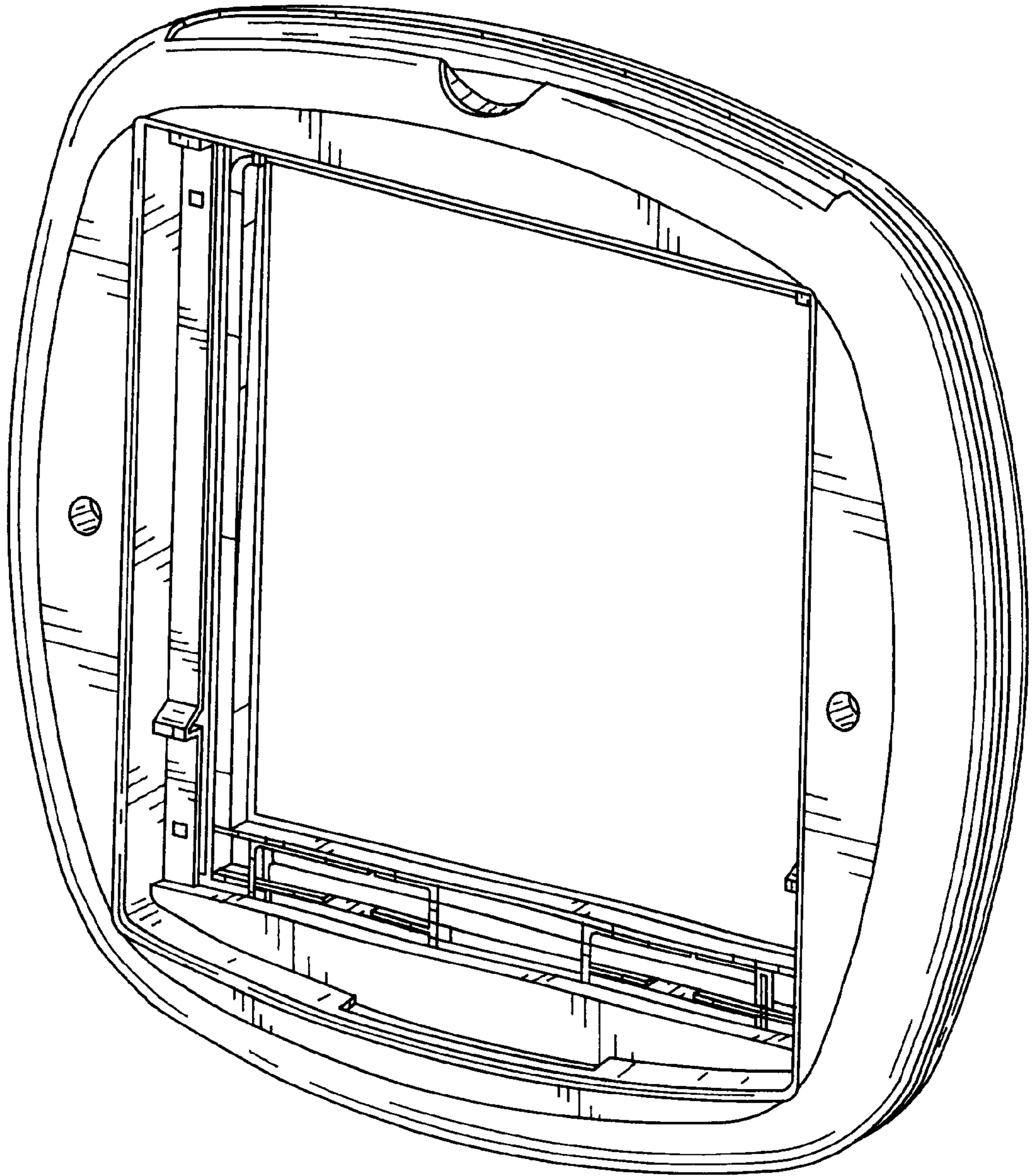


FIG. 2

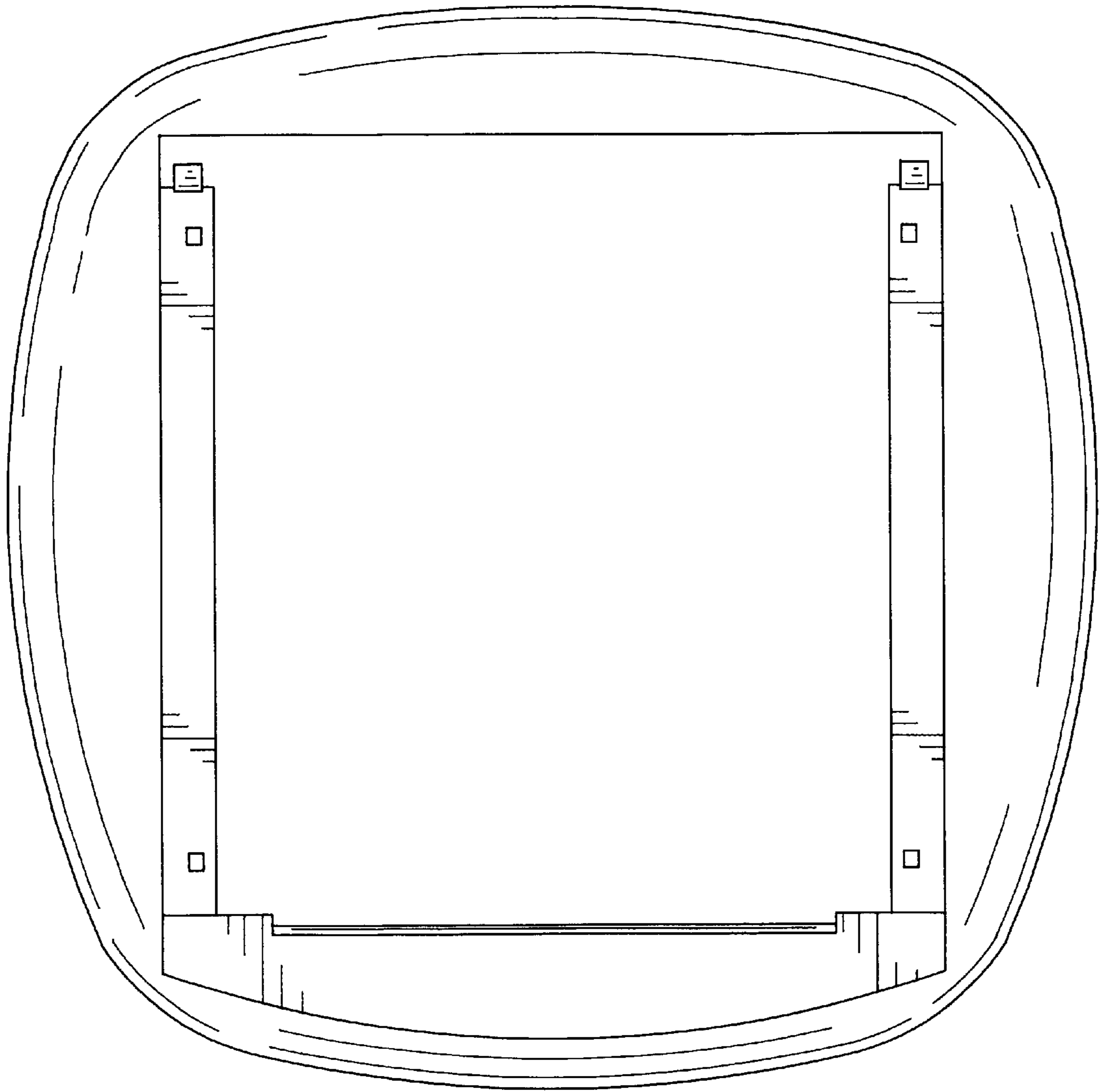


FIG. 3

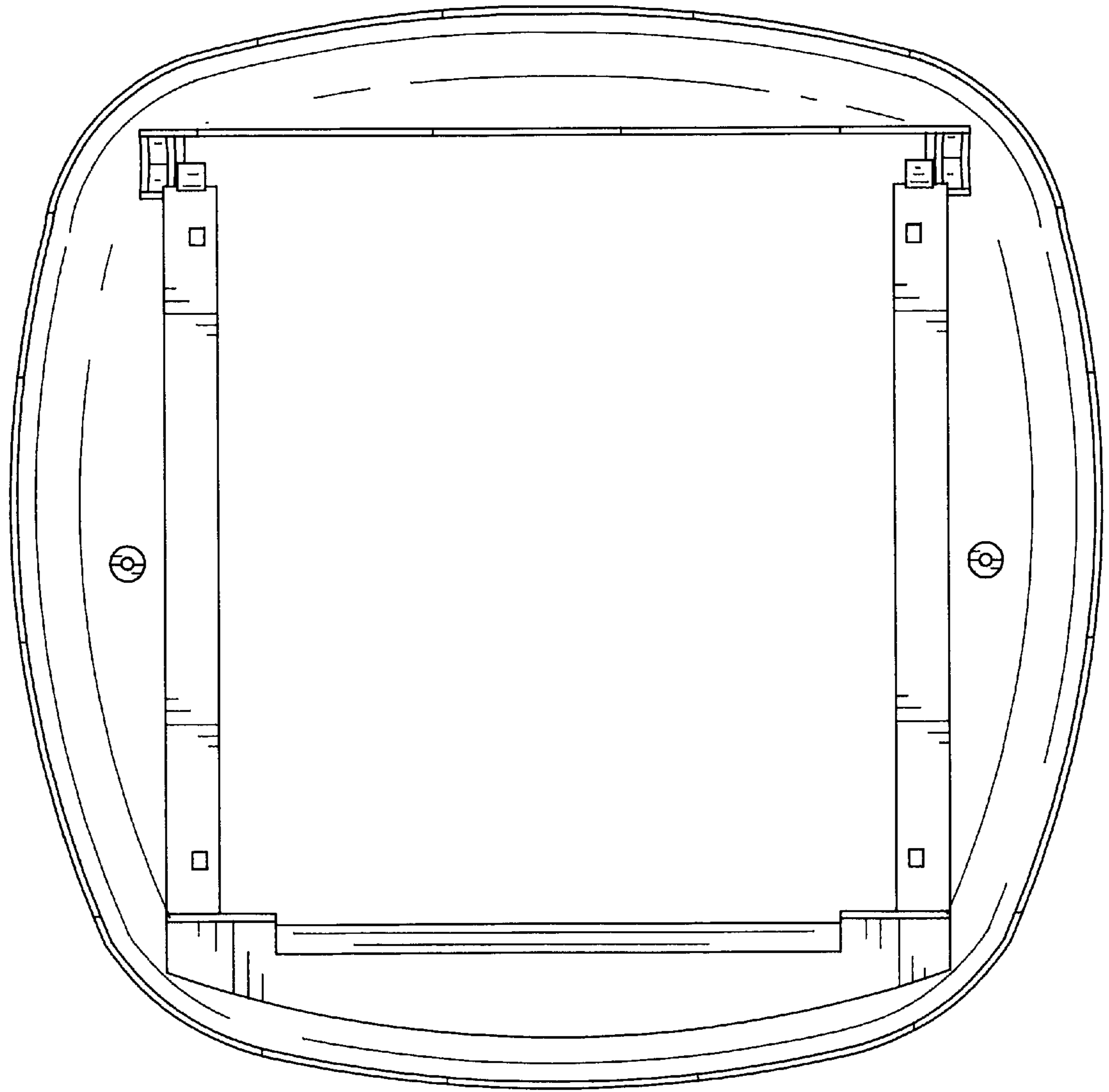


FIG. 4

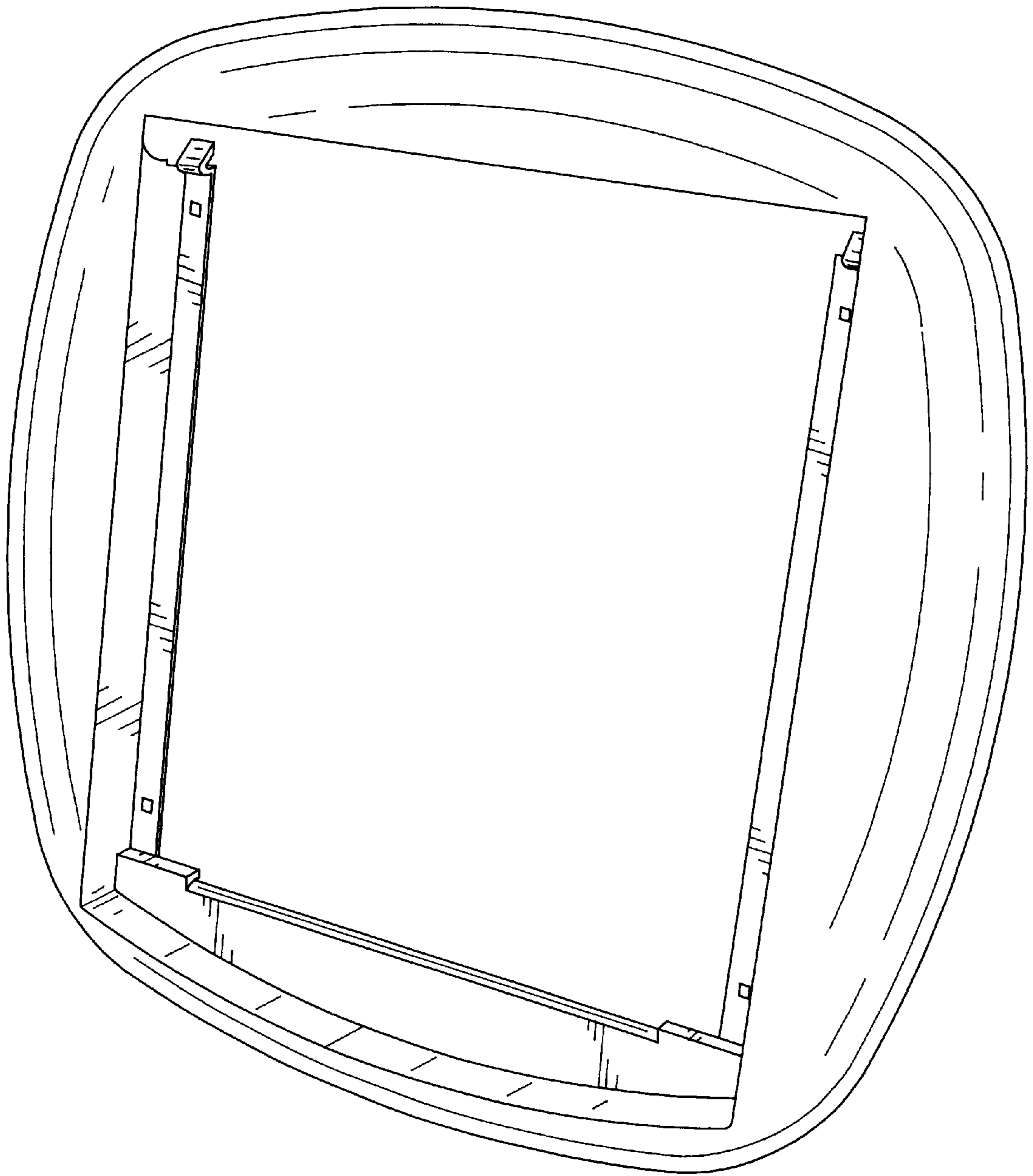


FIG. 5

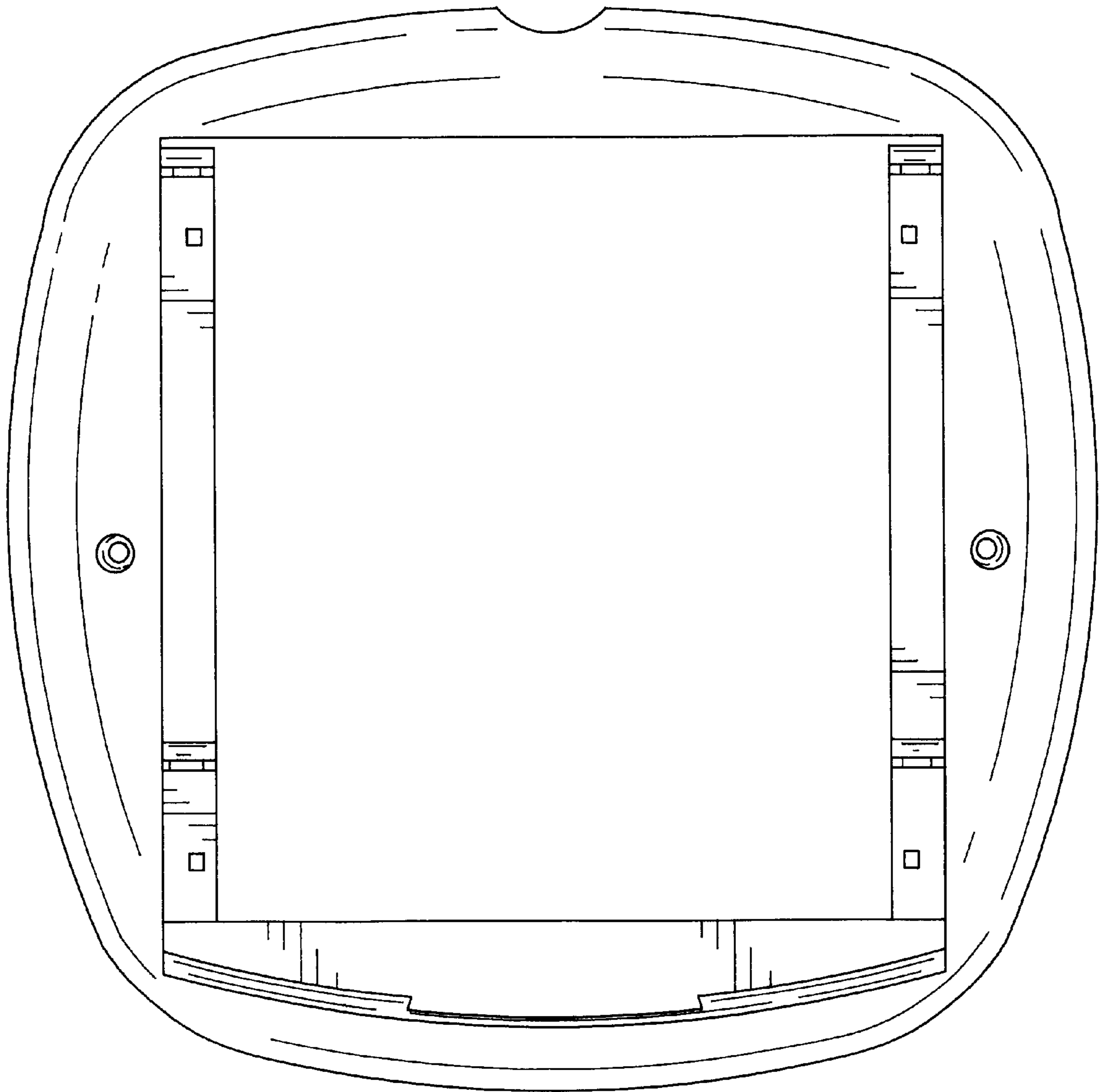


FIG. 6

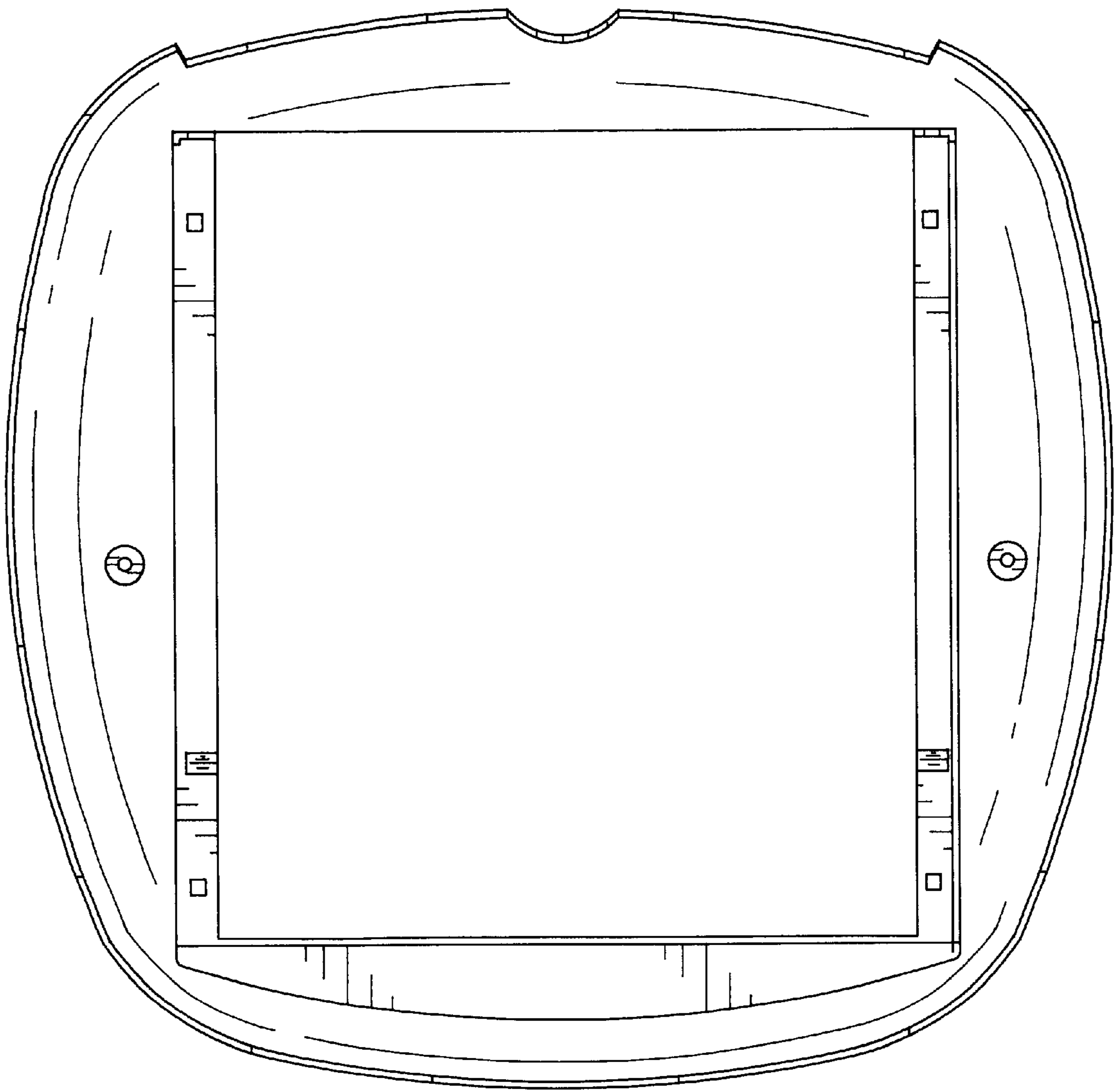


FIG. 7

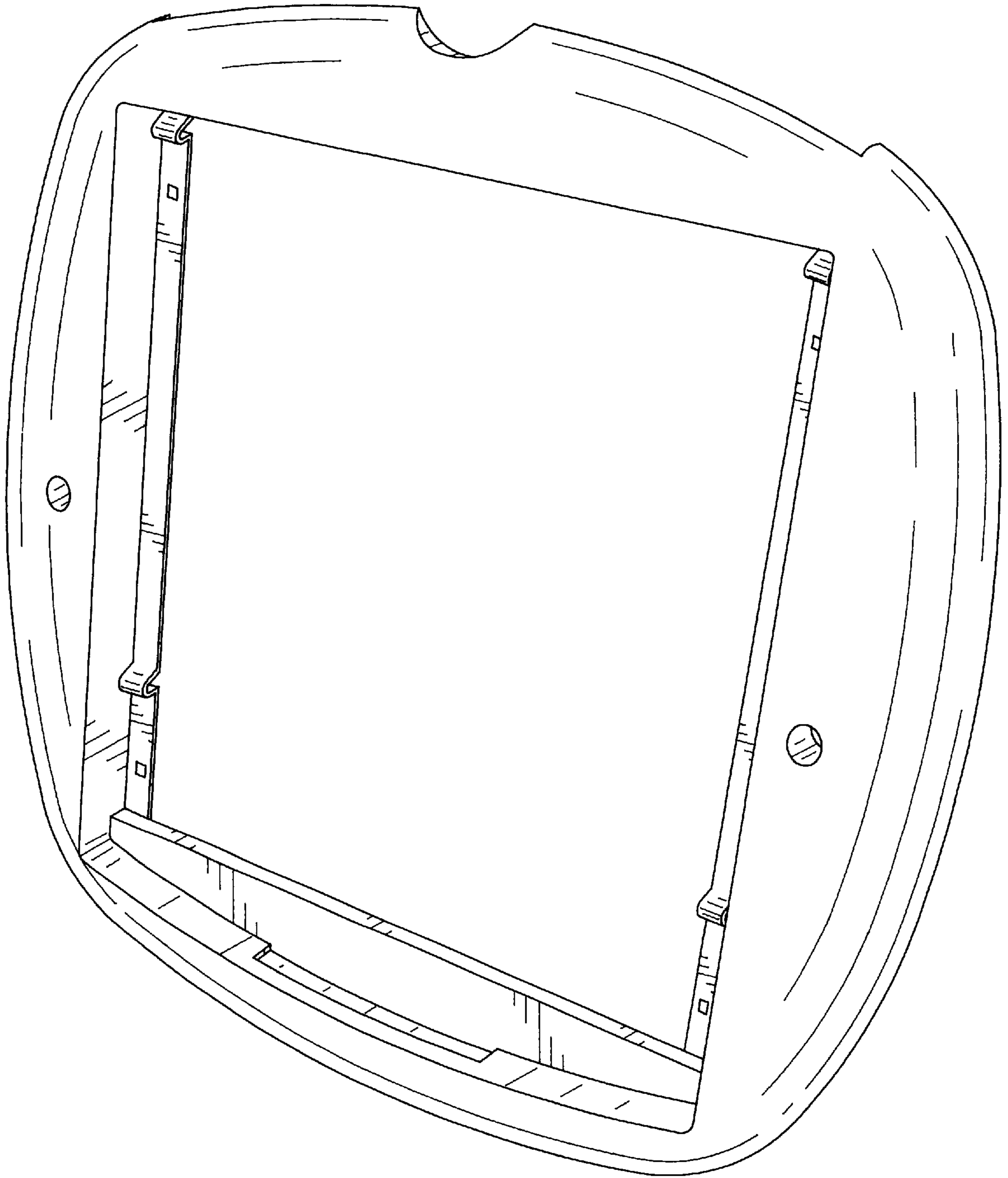


FIG. 8