



US00D448087B1

(12) **United States Design Patent**
Regan

(10) **Patent No.: US D448,087 S**

(45) **Date of Patent: ** Sep. 18, 2001**

(54) **MICROARRAY SLIDE CASSETTE**

6,004,512 * 12/1999 Titcomb et al. 422/63
6,156,565 * 12/2000 Maes et al. 422/64

(75) Inventor: **Donald T. Regan**, Boxboro, MA (US)

* cited by examiner

(73) Assignee: **Packard Instrument Company, Inc.**,
Meriden, CT (US)

Primary Examiner—Ian Simmons
(74) *Attorney, Agent, or Firm*—Hale and Dorr LLP

(**) Term: **14 Years**

(57) **CLAIM**

I claim the ornamental design of a microarray slide cassette,
as shown and described.

(21) Appl. No.: **29/123,649**

DESCRIPTION

(22) Filed: **May 23, 2000**

FIG. 1 is a perspective view of the microarray slide cassette
showing my new design;

(51) **LOC (7) Cl.** **24-02**

(52) **U.S. Cl.** **D24/227; D24/225; D24/229**

FIG. 2 is a front view of the design, the rear view being a
mirror image thereof;

(58) **Field of Search** **D24/230, 227,**

D24/224, 216, 225; 422/104, 65, 68, 64,
63, 102; 211/85.13, 70.01, 163, 73, 72

FIG. 3 is a right side view of the design;

FIG. 4 is a bottom view of the design, the top view being a
mirror image thereof;

FIG. 5 is a left side view of the design;

(56) **References Cited**

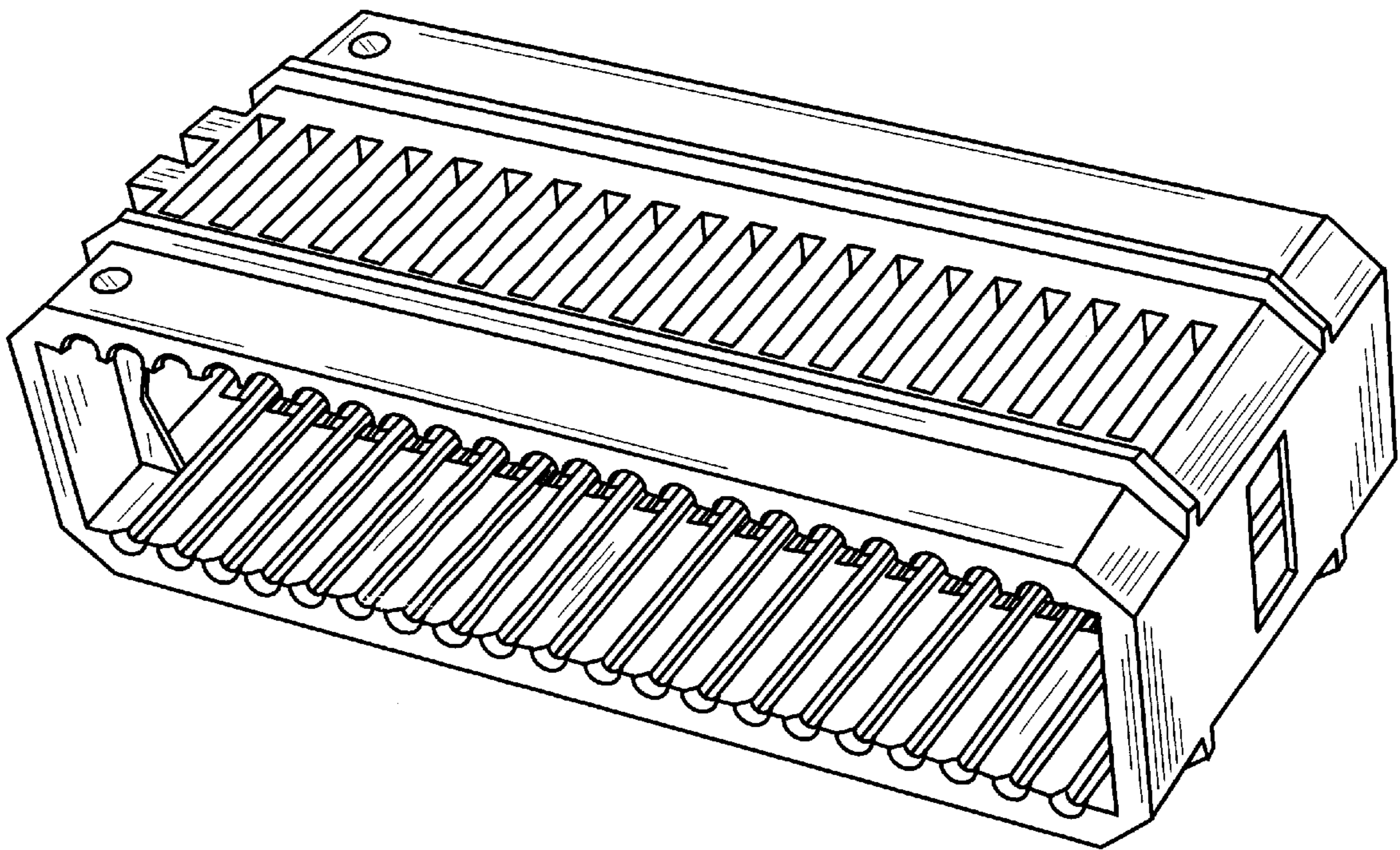
U.S. PATENT DOCUMENTS

D. 337,387 * 7/1993 Frenkel et al. D24/224
5,897,835 * 4/1999 Seaton et al. 422/104

FIG. 6 is another perspective view of the design; and,

FIG. 7 is an enlarged view of the portion of FIG. 6 indicated
by a dashed circle.

1 Claim, 3 Drawing Sheets



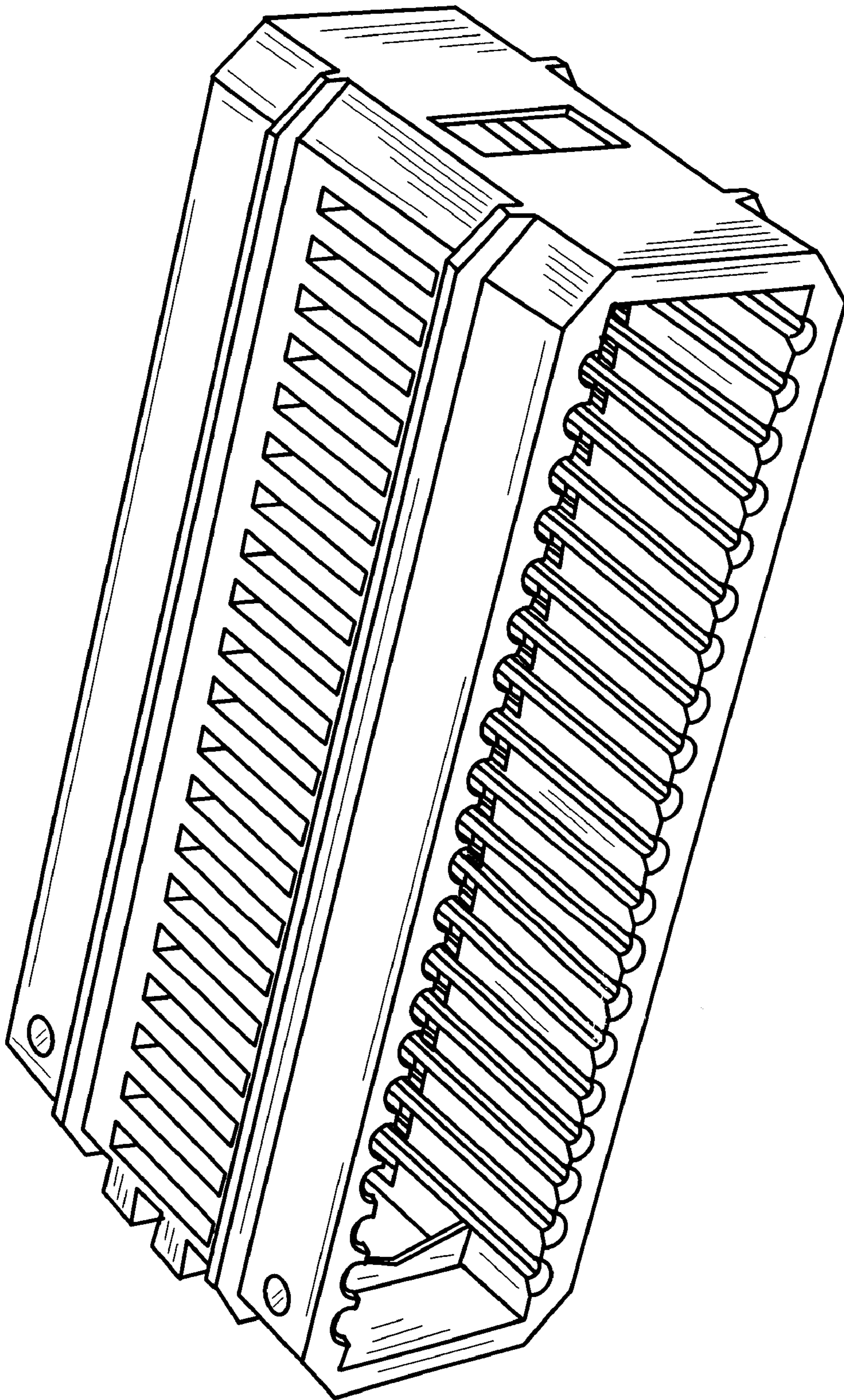


FIG. 1

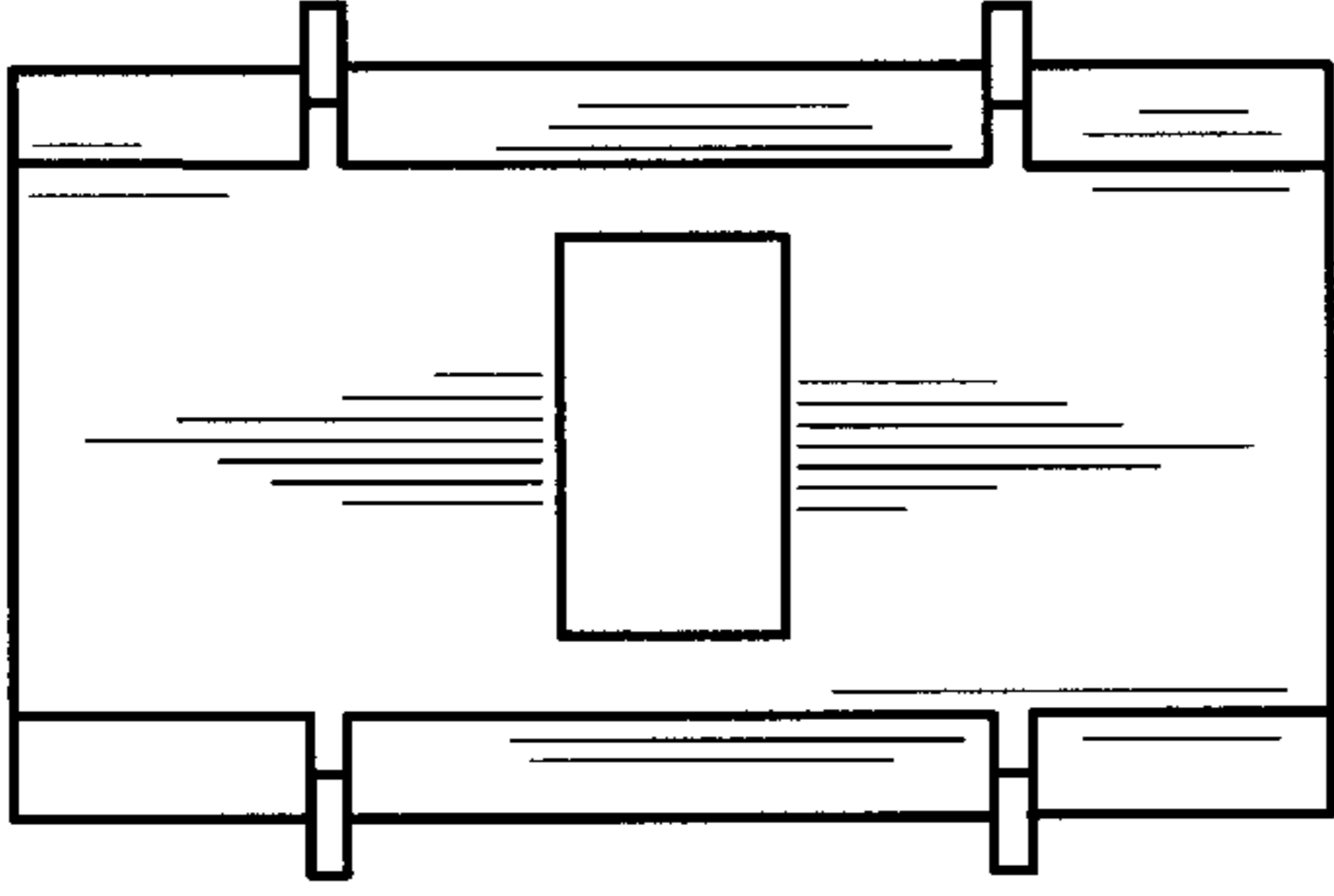


FIG. 3

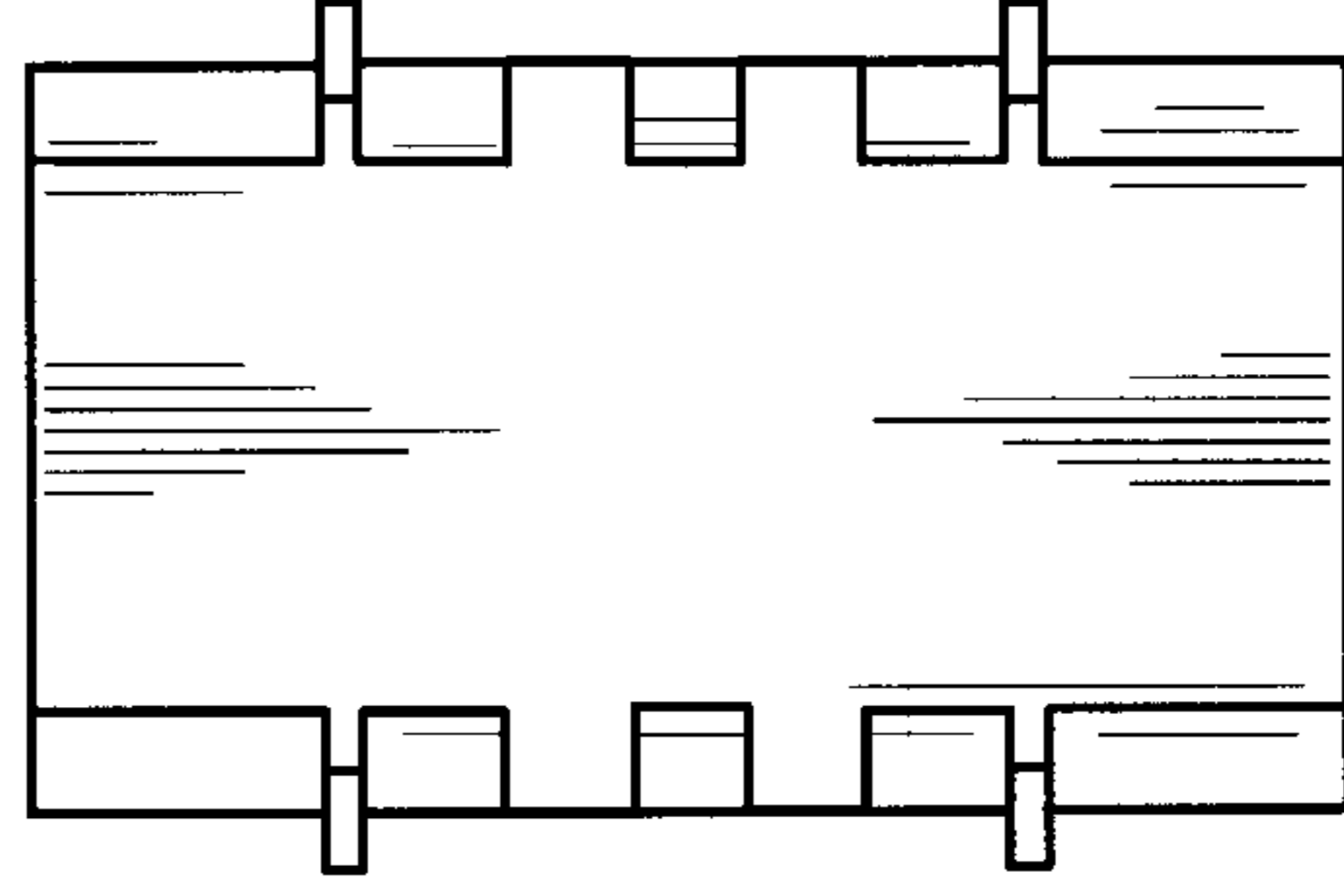


FIG. 5

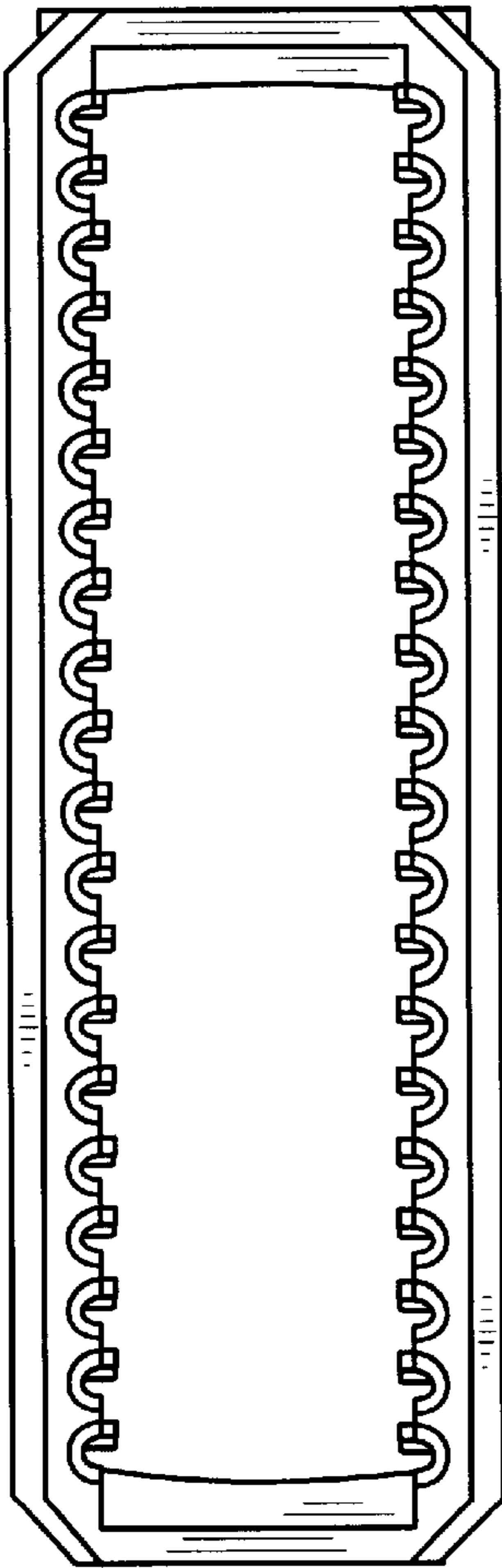


FIG. 2

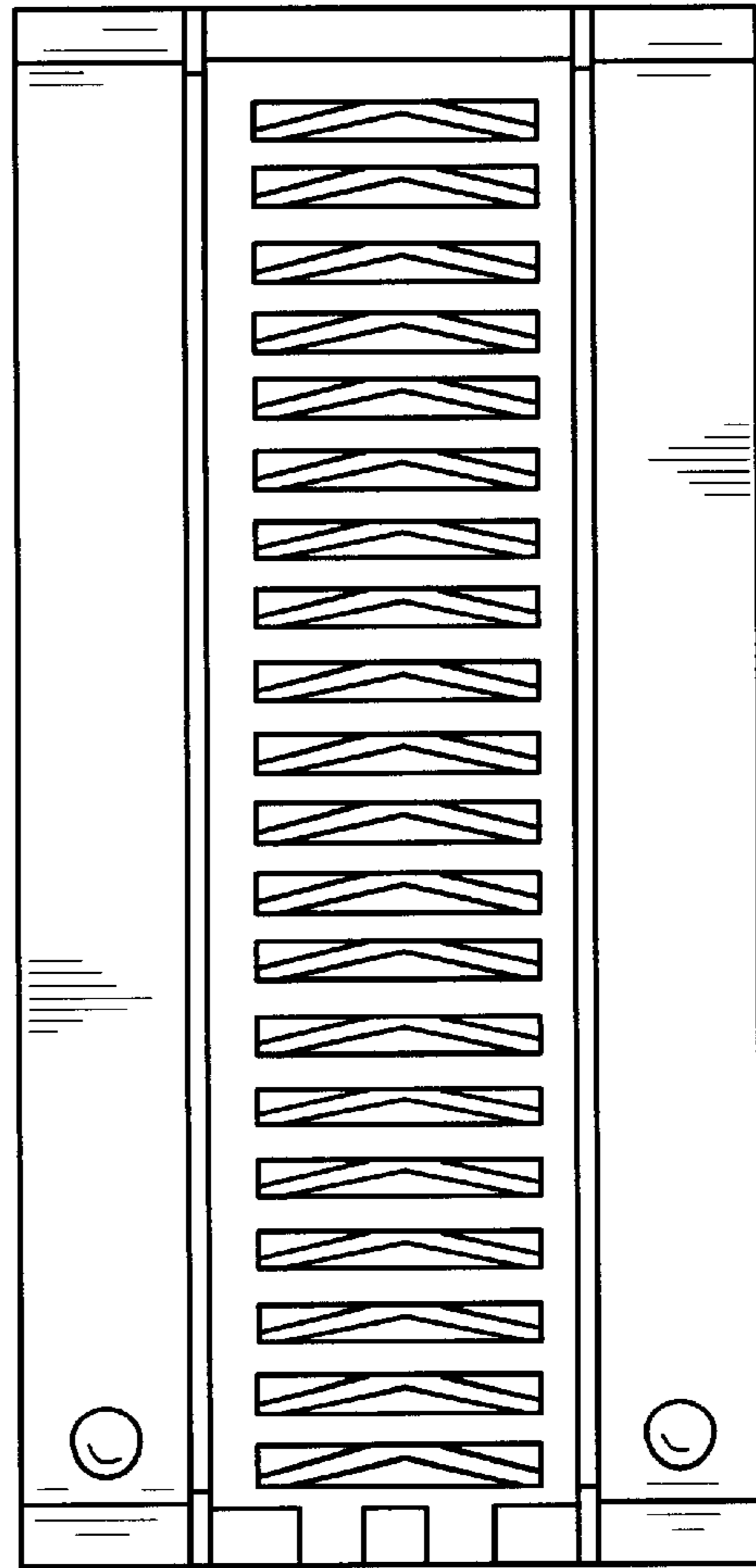


FIG. 4

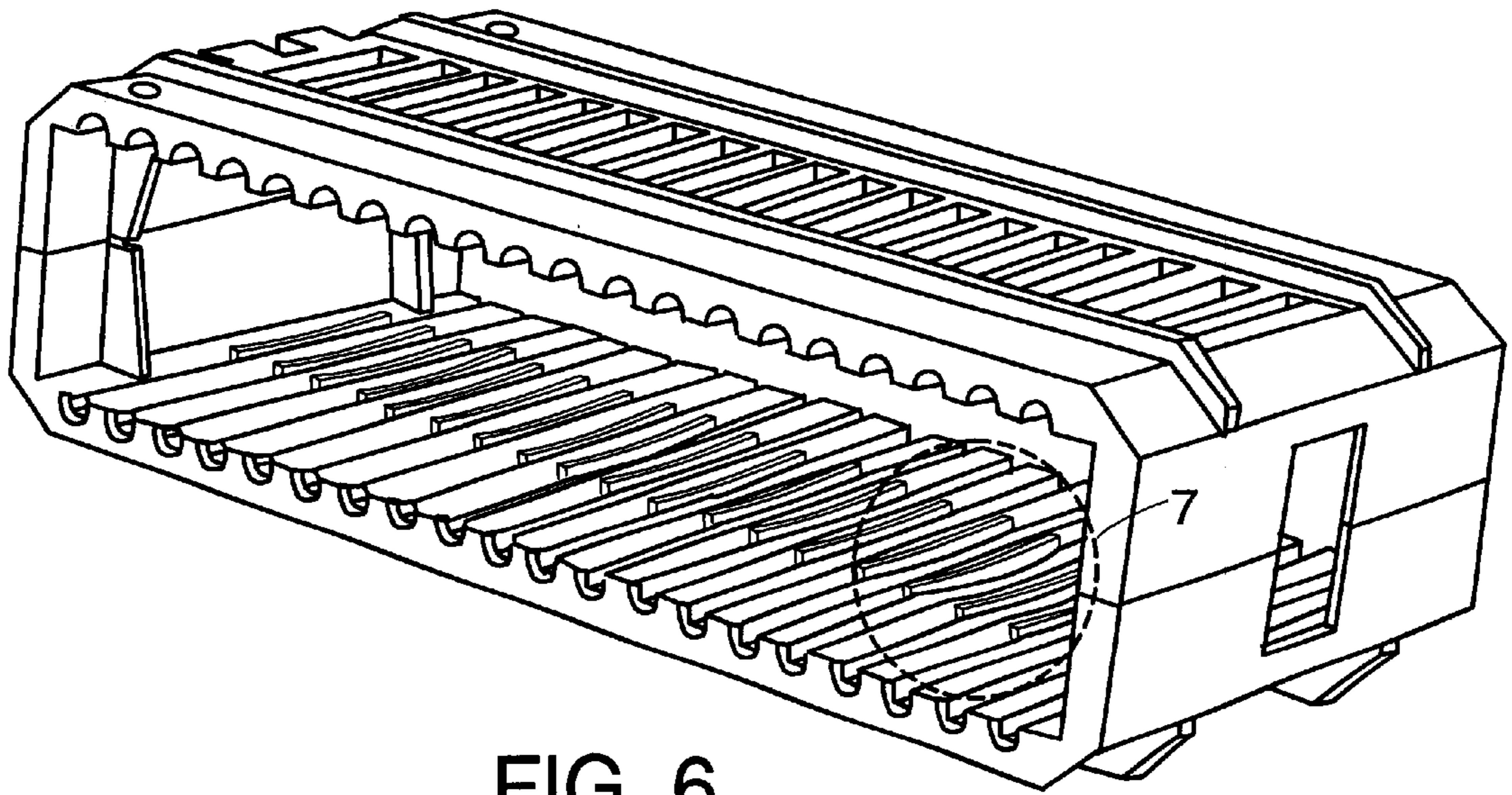


FIG. 6

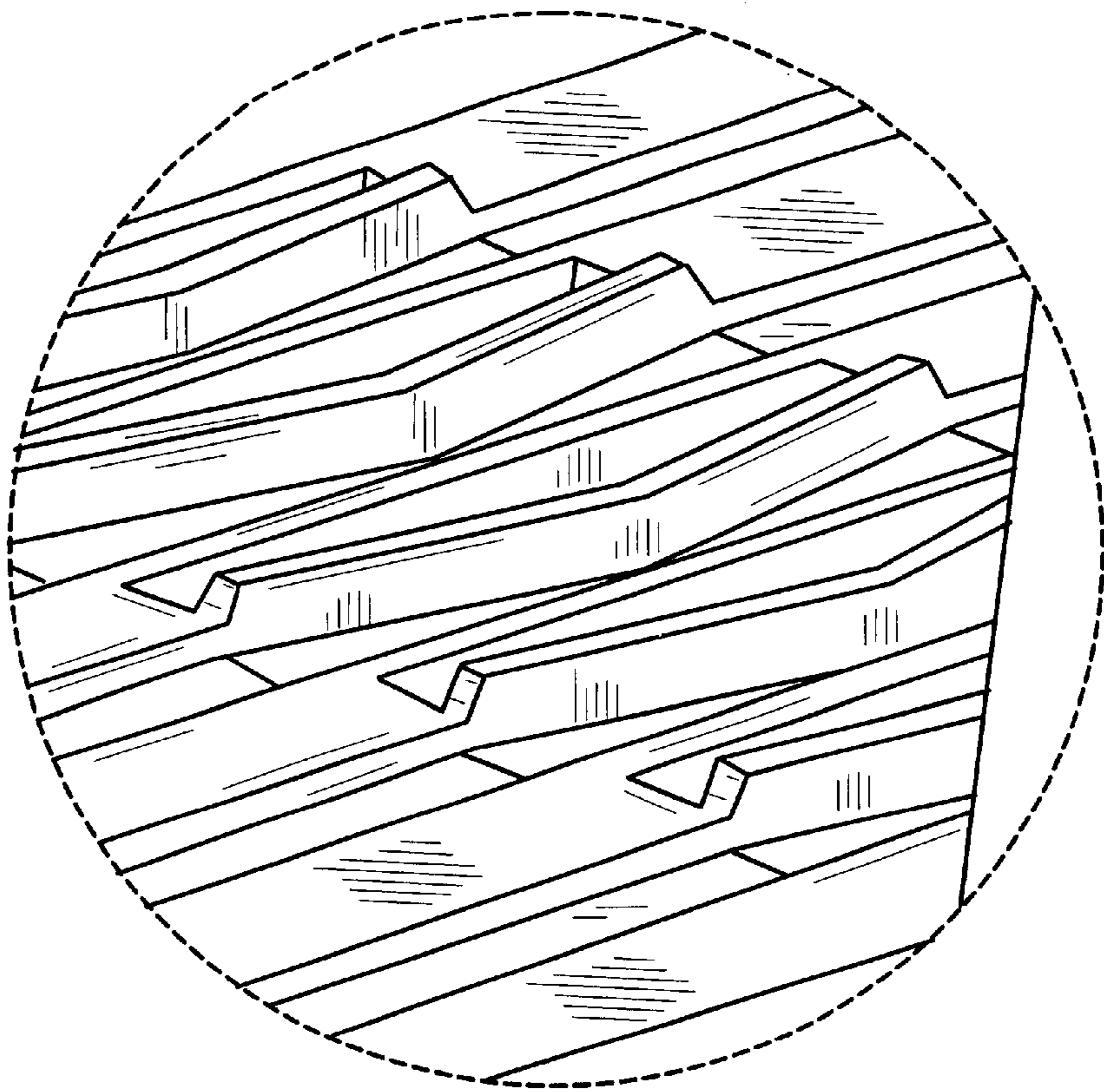


FIG. 7