



US00D448083B1

(12) **United States Design Patent**
Tuan

(10) **Patent No.:** **US D448,083 S**

(45) **Date of Patent:** **** Sep. 18, 2001**

(54) **SNORE STOPPER**

(76) Inventor: **Wei Tuan**, 12F, No. 156, Sec. 1, Chien Kuo North Road, Taipei (TW), 104

(**) Term: **14 Years**

(21) Appl. No.: **29/136,958**

(22) Filed: **Feb. 6, 2001**

(51) **LOC (7) Cl.** **24-04**

(52) **U.S. Cl.** **D24/188**

(58) **Field of Search** D24/186, 165,
D24/188; 600/483, 484, 519, 503, 529,
537, 546, 587; 128/848, 859

(56) **References Cited**

U.S. PATENT DOCUMENTS

- 4,715,367 * 12/1987 Crossley 600/27
- 4,982,738 * 1/1991 Griebel 600/483
- 5,458,105 * 10/1995 Taylor et al. 128/848

* cited by examiner

Primary Examiner—Stella Reid

(74) *Attorney, Agent, or Firm*—Charles E. Baxley

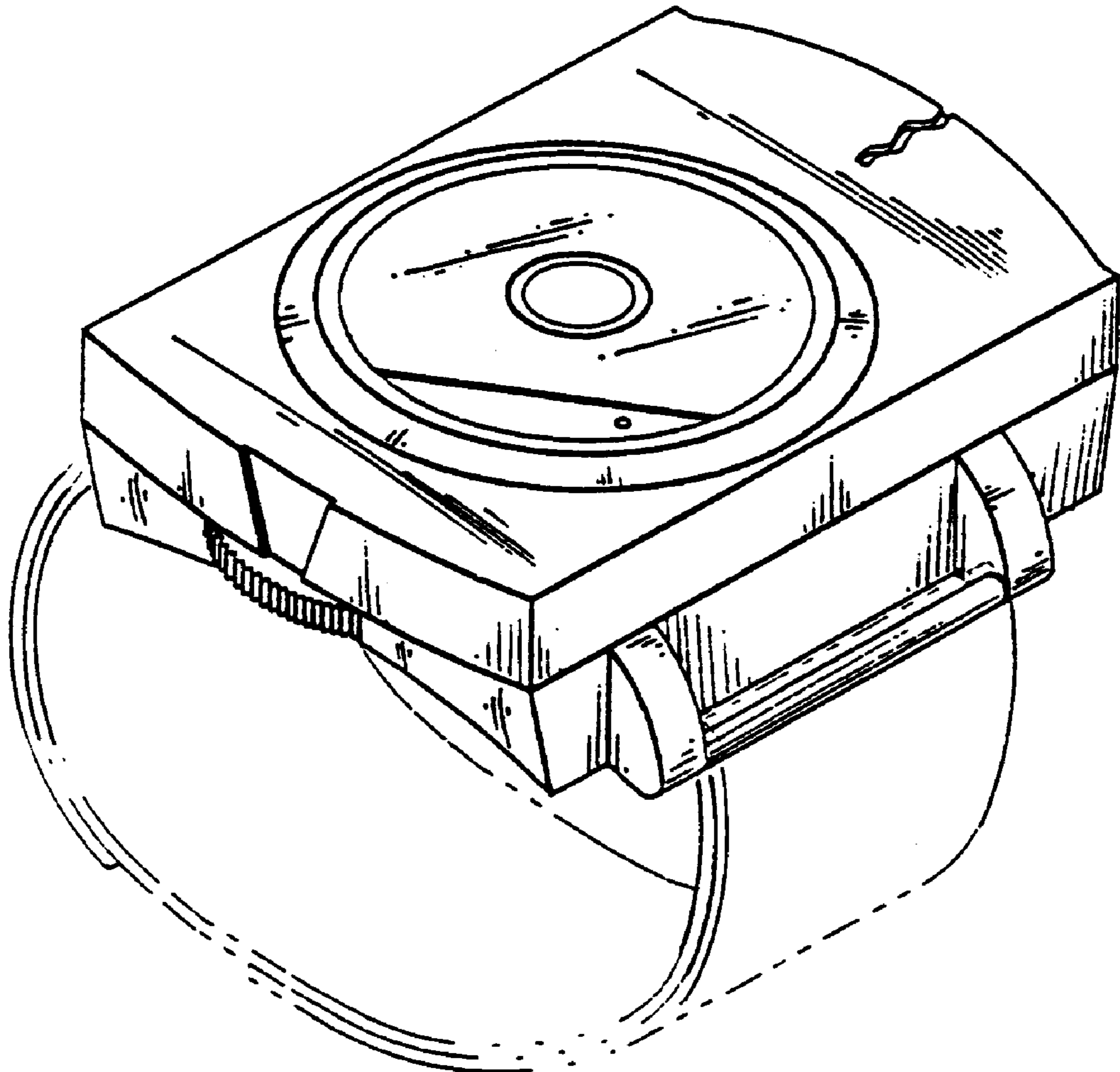
(57) **CLAIM**

The ornamental design for a snore stopper, as shown and described.

DESCRIPTION

FIG. 1 is a perspective view of a snore stopper showing my new design;
 FIG. 2 is a front elevational view thereof;
 FIG. 3 is a rear elevational view thereof;
 FIG. 4 is a top plan view thereof;
 FIG. 5 is a bottom plan view thereof;
 FIG. 6 is a left side elevational view thereof;
 FIG. 7 is a right side elevational view thereof; and,
 FIG. 8 is a perspective view thereof, the fastener belt depicted by means of broken lines being for illustrative purposes only and forming no part of the claimed design.

1 Claim, 4 Drawing Sheets



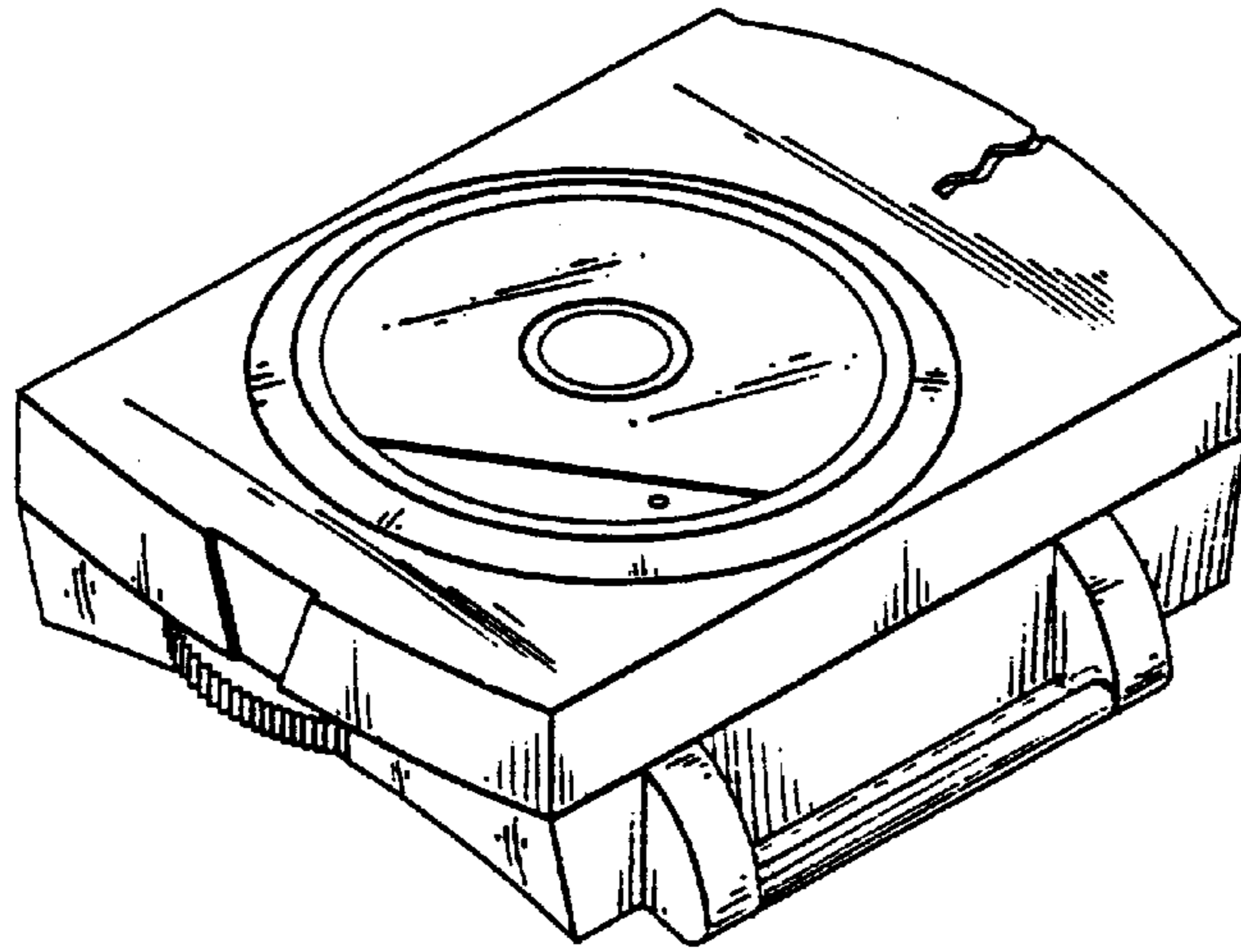


FIG. 1

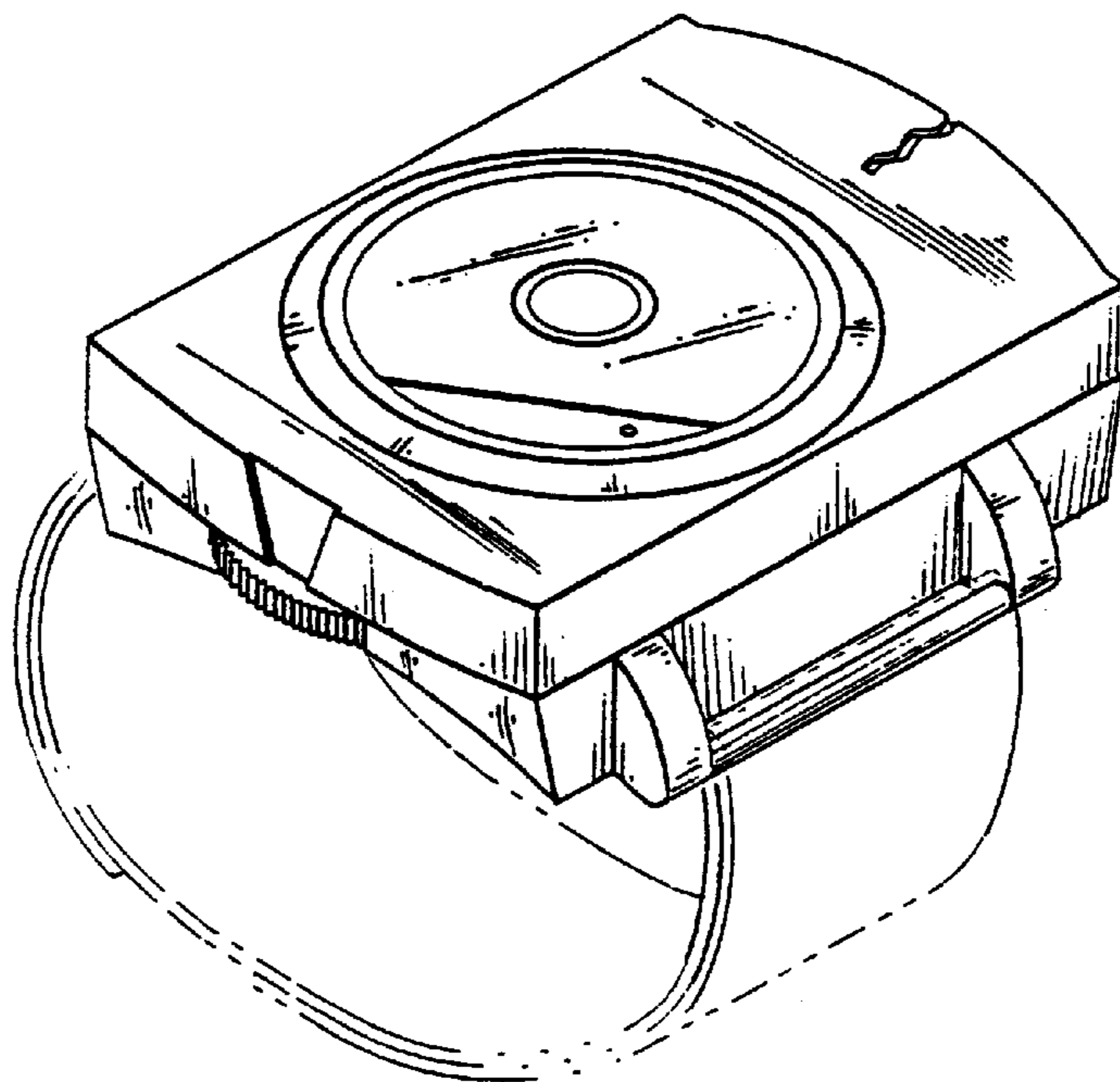


FIG. 8

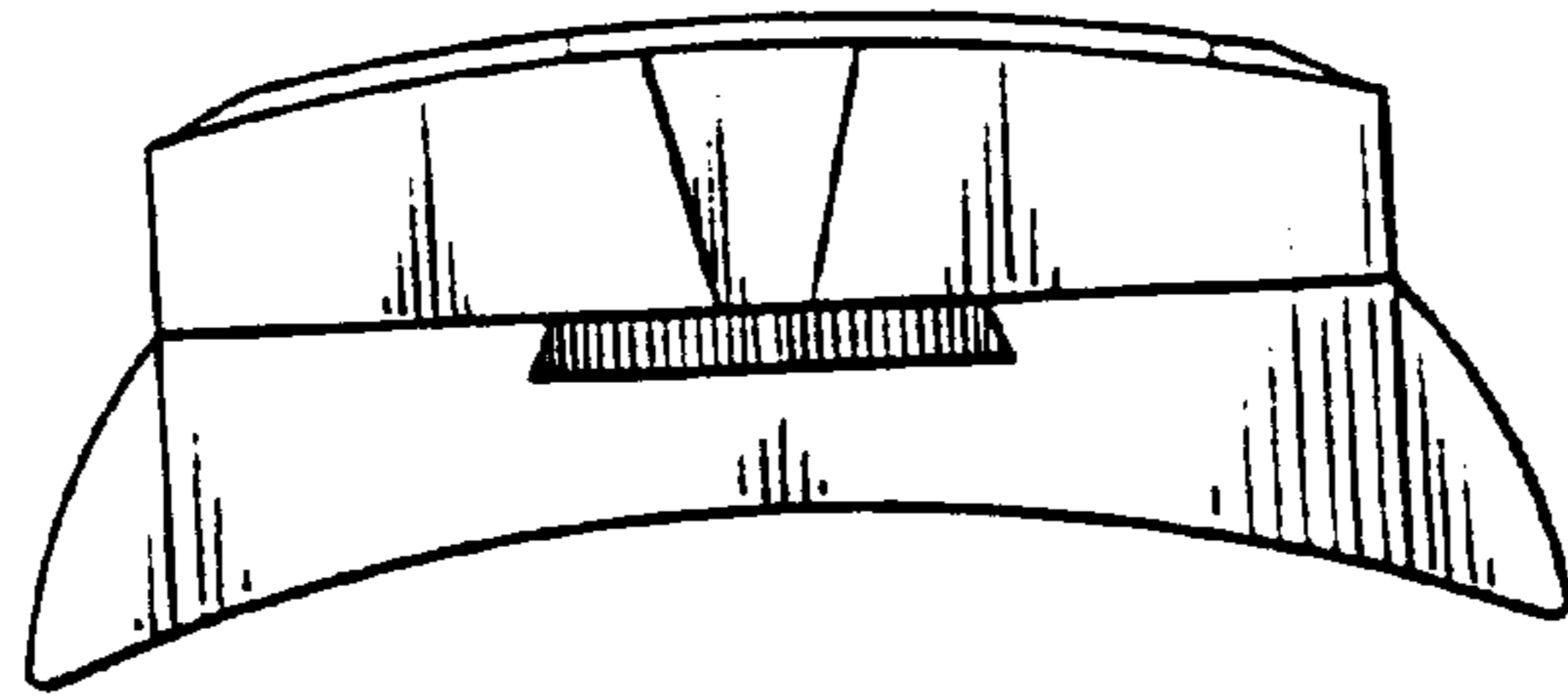


FIG. 2

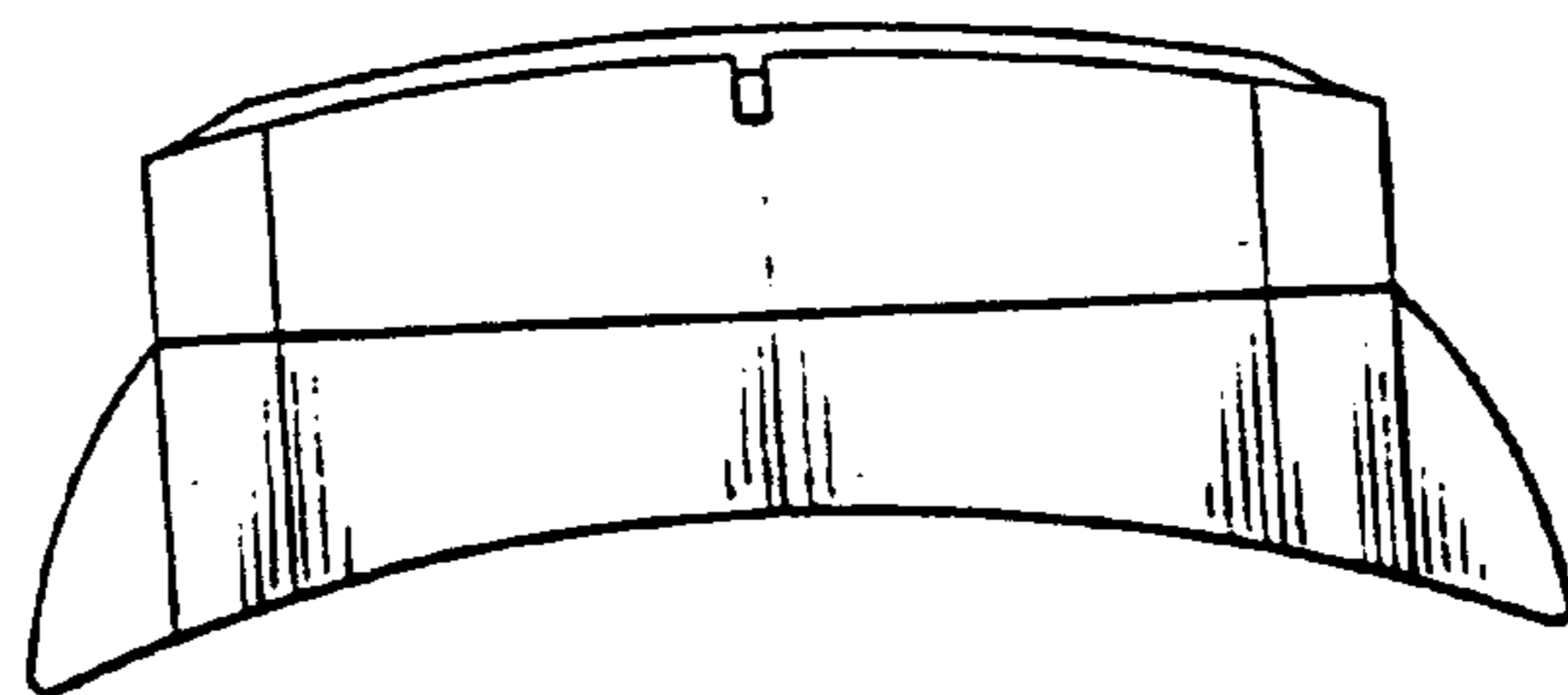


FIG. 3

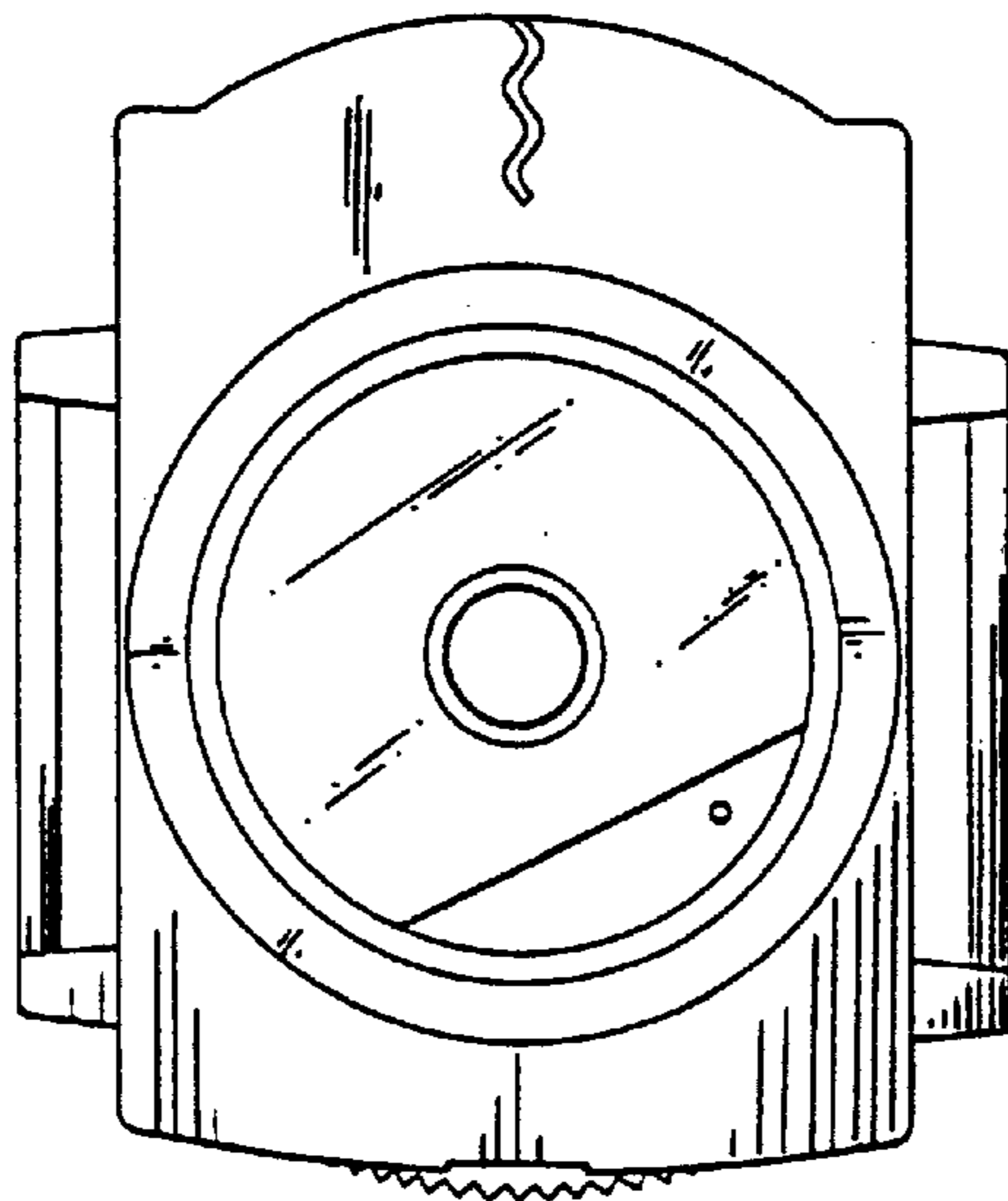


FIG. 4

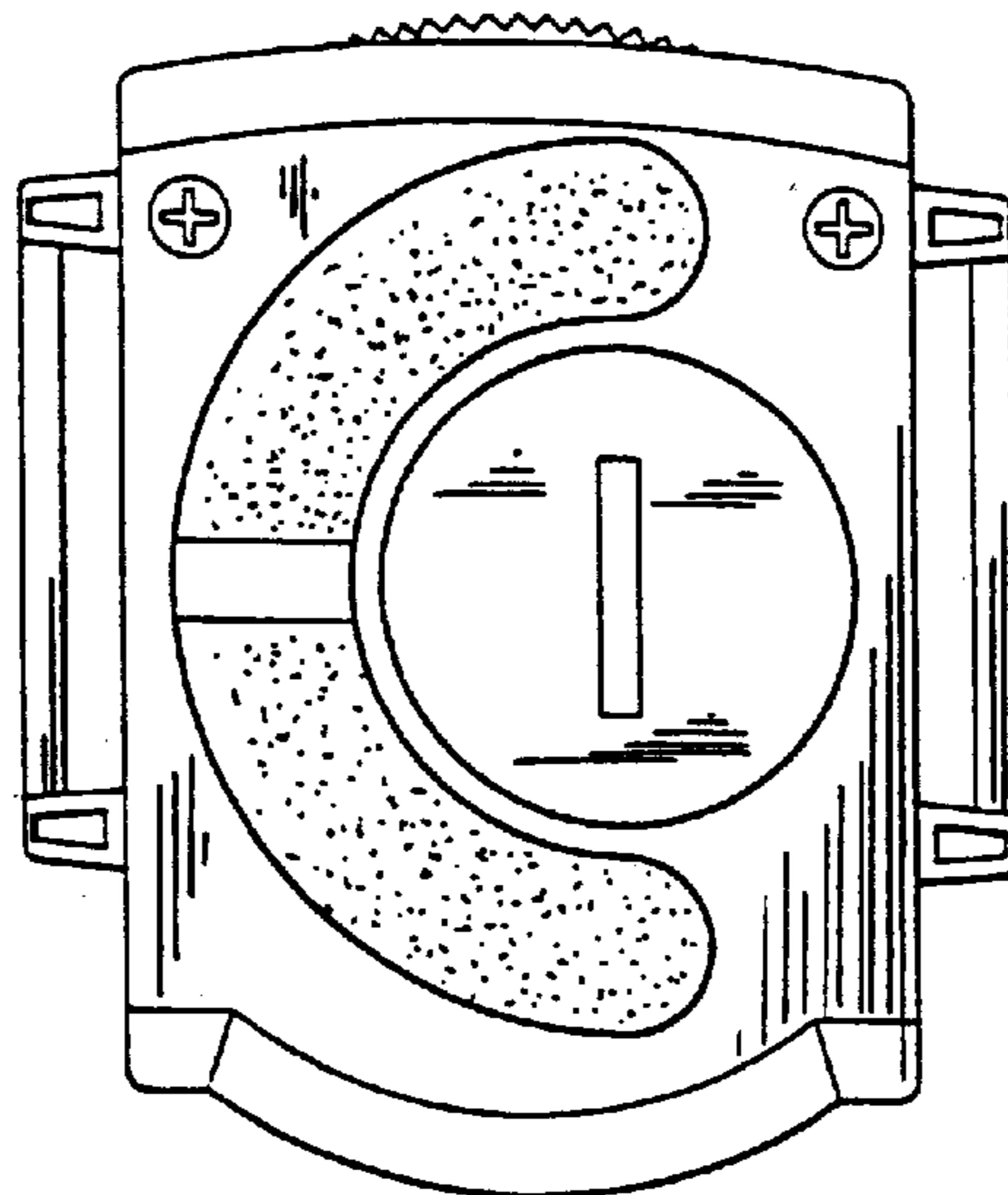


FIG. 5

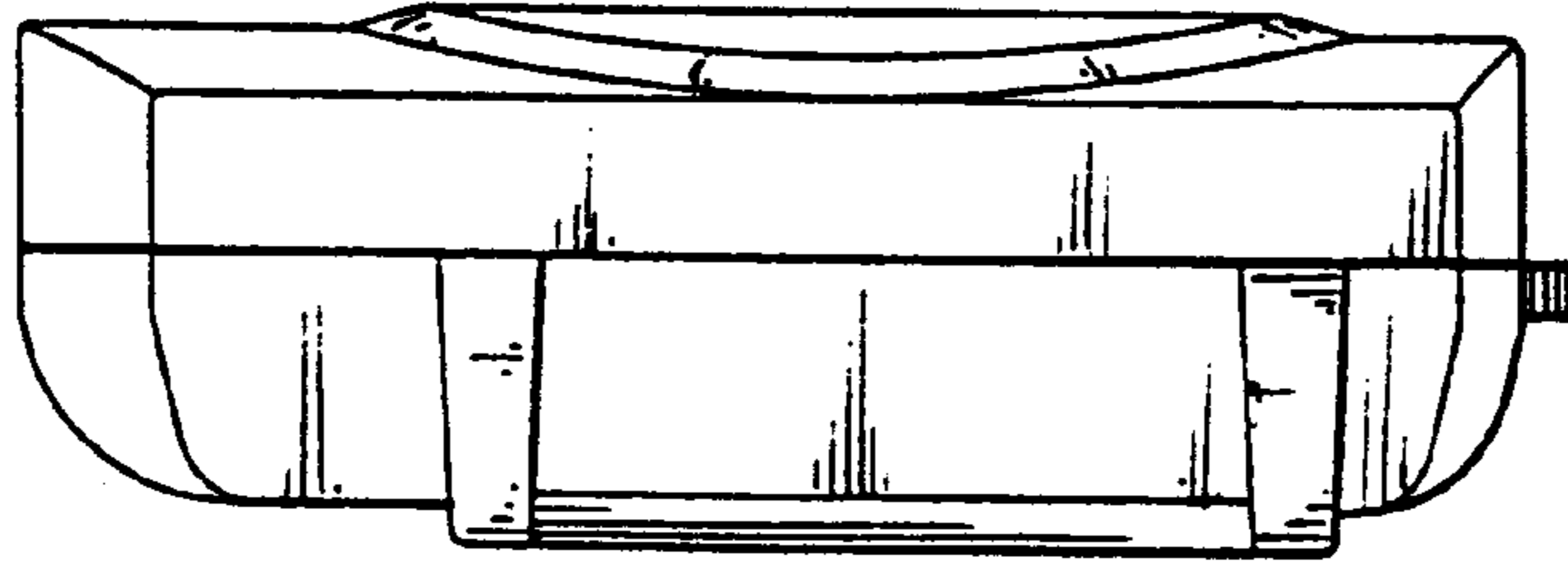


FIG. 6

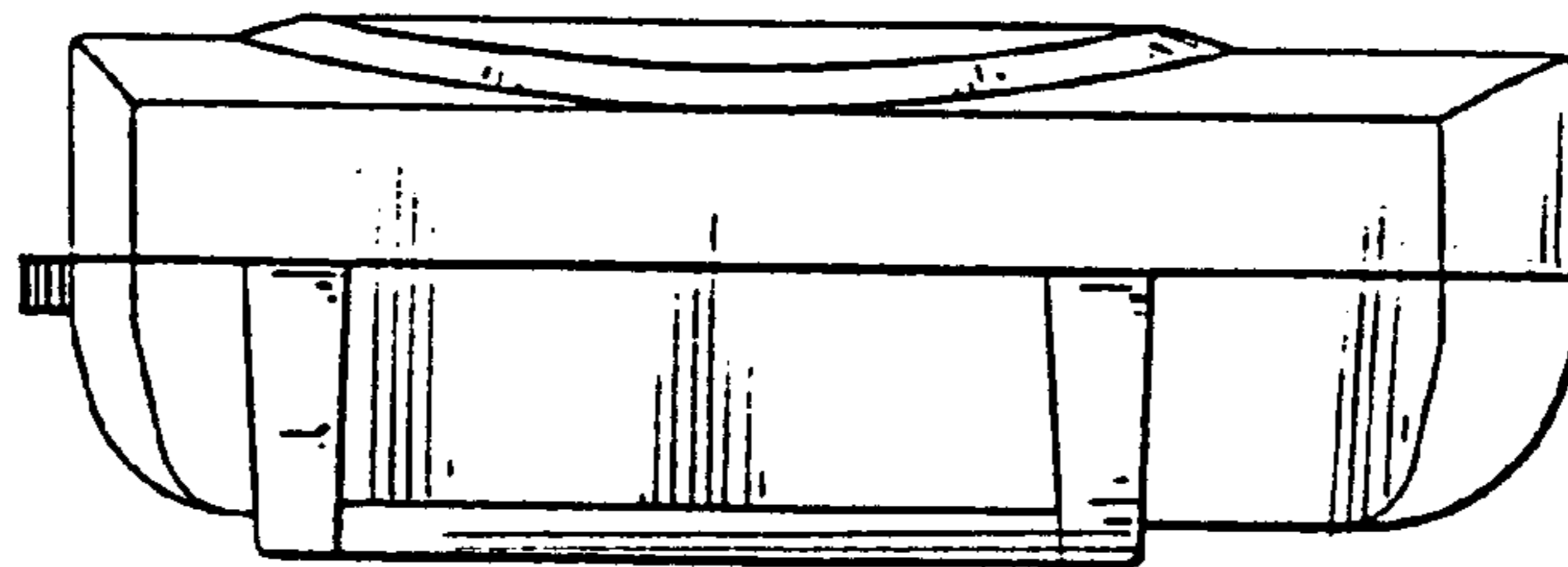


FIG. 7