



US00D448082B1

(12) **United States Design Patent**
Blank

(10) **Patent No.:** **US D448,082 S**

(45) **Date of Patent:** **** Sep. 18, 2001**

(54) **DENTAL TOOL**

(76) Inventor: **Jeffrey T. Blank**, 360 Bailey Ave.,
Rock Hill, SC (US) 29732

(**) Term: **14 Years**

(21) Appl. No.: **29/134,393**

(22) Filed: **Dec. 19, 2000**

(51) **LOC (7) Cl.** **24-02**

(52) **U.S. Cl.** **D24/176; D24/152**

(58) **Field of Search** **D24/176, 152;**
433/40, 142, 143

(56) **References Cited**

U.S. PATENT DOCUMENTS

D. 265,004	6/1982	Davis	D28/64
D. 311,595	10/1990	Ewald	D28/64
D. 376,205	* 12/1996	Tarfare et al.	D24/152
491,464	2/1893	Blake, Sr.	.	
815,153	3/1906	Fritz	.	
1,050,469	* 1/1913	Keifer	433/40
1,201,875	* 10/1916	Russ	433/40
1,707,952	4/1929	Schneider	.	
2,029,495	2/1936	Lowe	128/305
2,655,726	10/1953	Diener	32/46
3,325,900	6/1967	Sohlberg	32/46
4,319,876	3/1982	Muraoka	433/141
4,365,957	12/1982	Das	433/144

4,820,154	4/1989	Römhild	433/128
4,836,781	6/1989	Meinershagen	433/141
4,854,867	8/1989	Meinershagen	433/40
4,952,213	8/1990	Bowman et al.	606/79
5,084,978	2/1992	McReynolds	30/517
5,118,291	6/1992	Varaine	433/142
5,682,665	11/1997	Svanberg	29/458

* cited by examiner

Primary Examiner—Antoine Duval Davis

(74) *Attorney, Agent, or Firm*—Moore & Van Allen PLLC;
Michael G. Johnston

(57) **CLAIM**

The ornamental design for a dental tool, as shown and described.

DESCRIPTION

FIG. 1 is an exploded view of a dental tool and blade member according to the present invention.

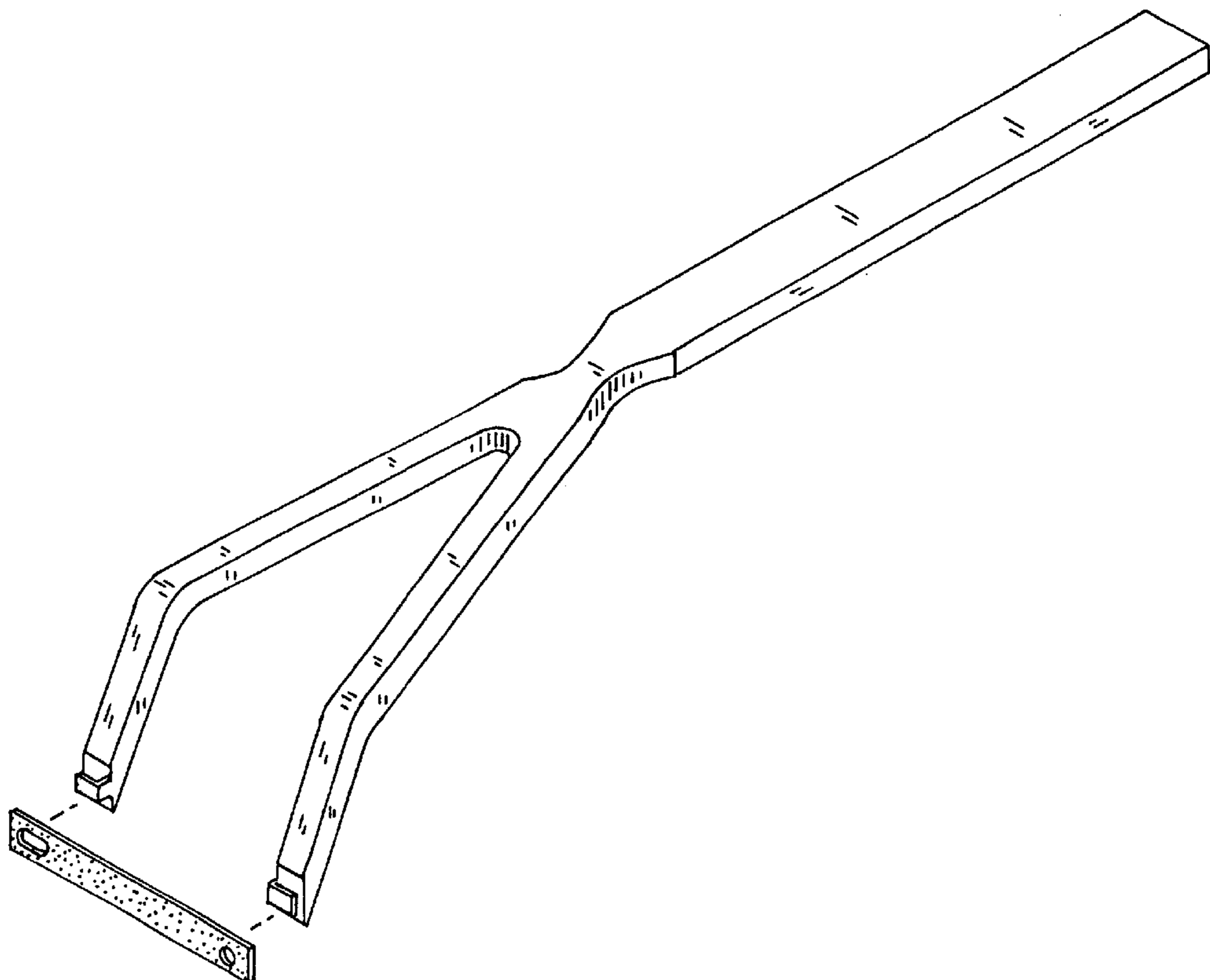
FIG. 2 is a front end view of the dental tool and blade member as shown in FIG. 1 with the blade member in place on the tool.

FIG. 3 is a back end view of the dental tool of FIG. 2.

FIG. 4 is a top view of the dental tool of FIG. 2.

FIG. 5 is a bottom view of the dental tool of FIG. 2; and, FIG. 6 is a side view of the dental tool of FIG. 2.

1 Claim, 2 Drawing Sheets



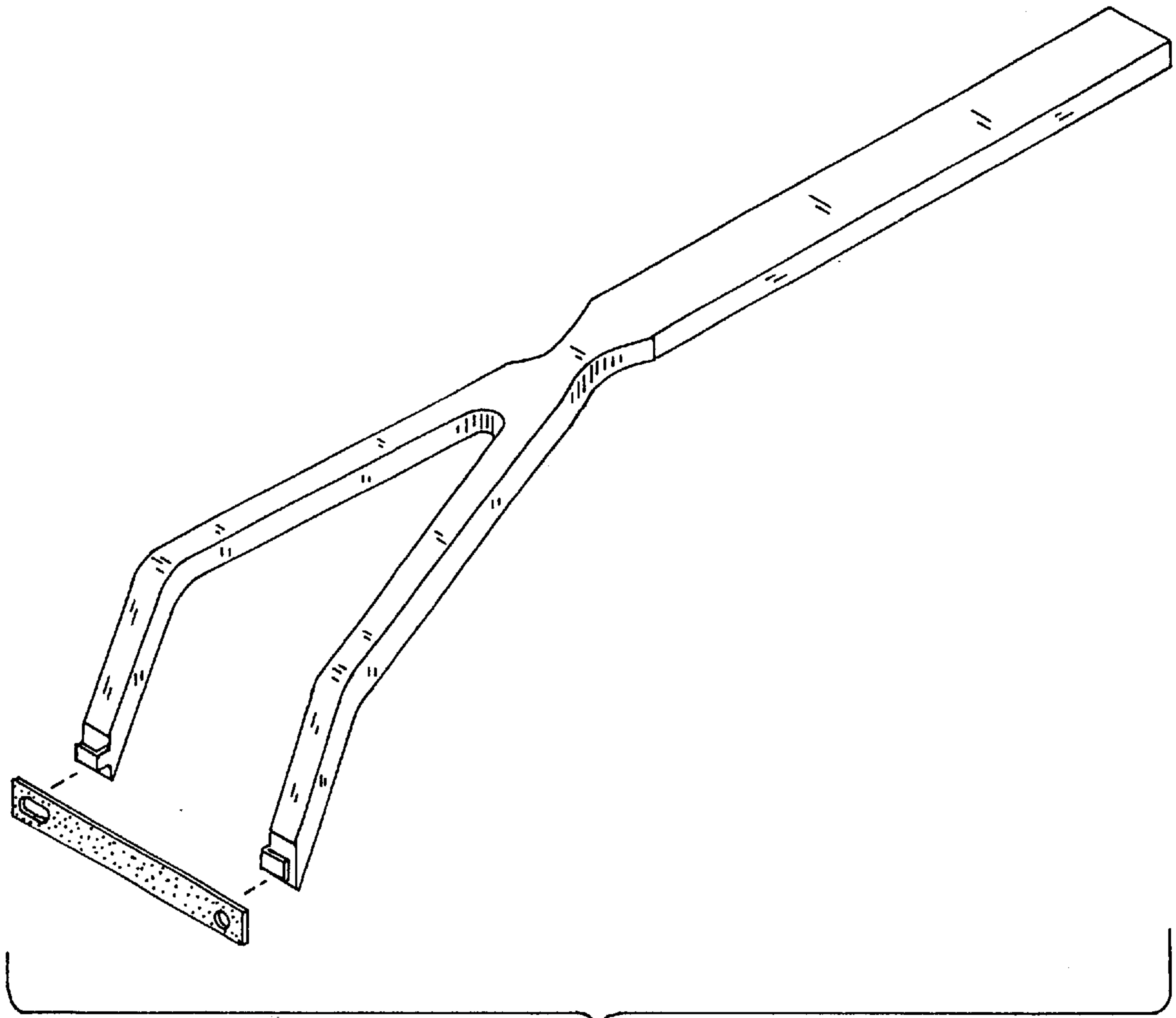


FIG. 1

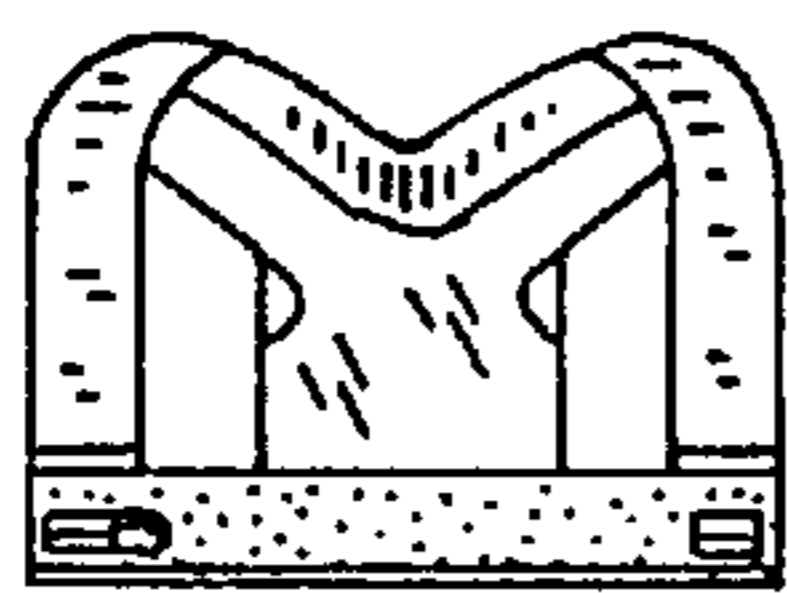


FIG. 2

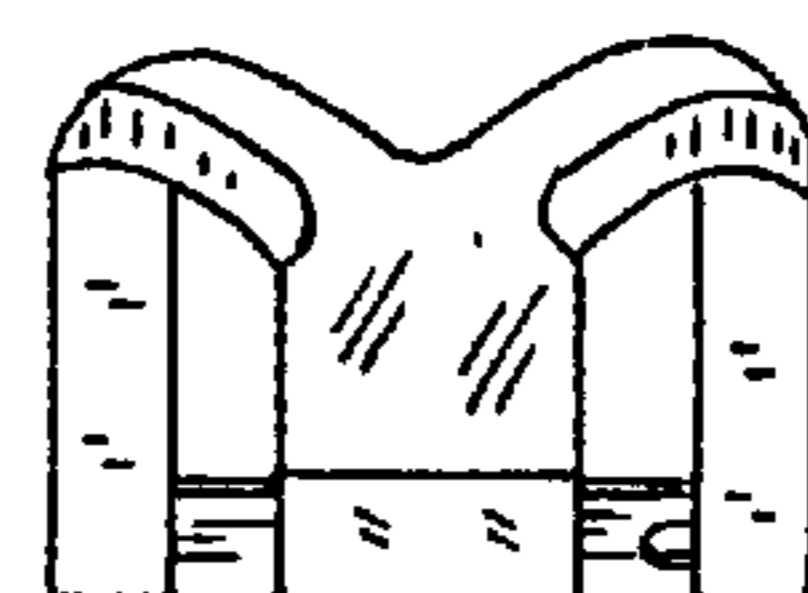


FIG. 3

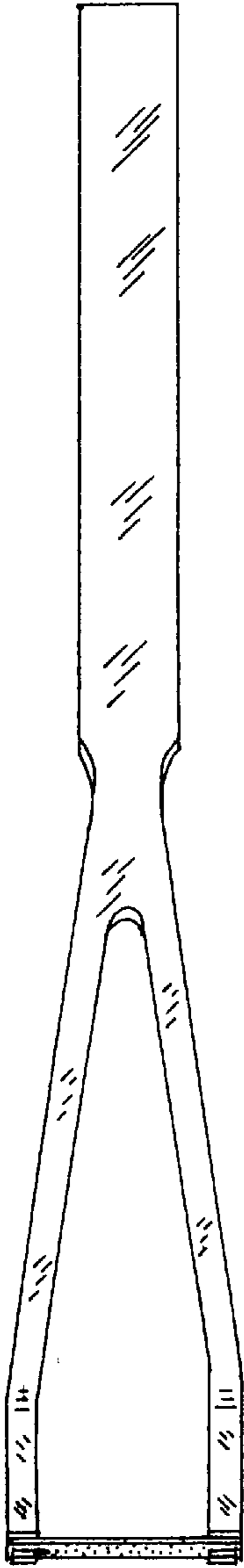


FIG. 4

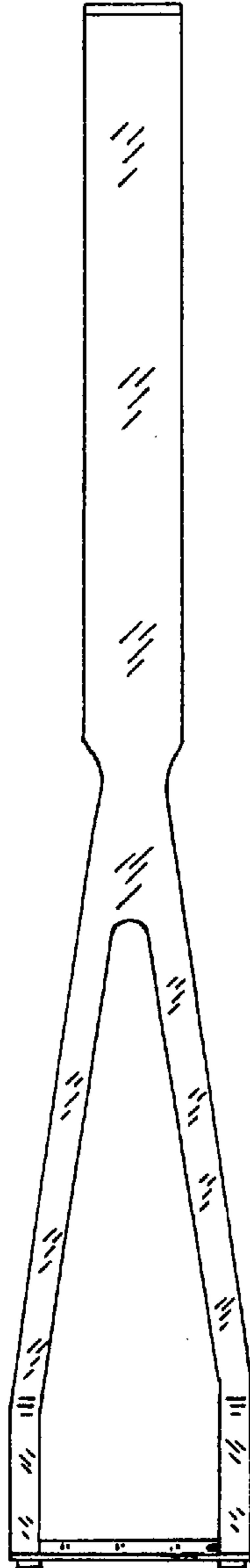


FIG. 5

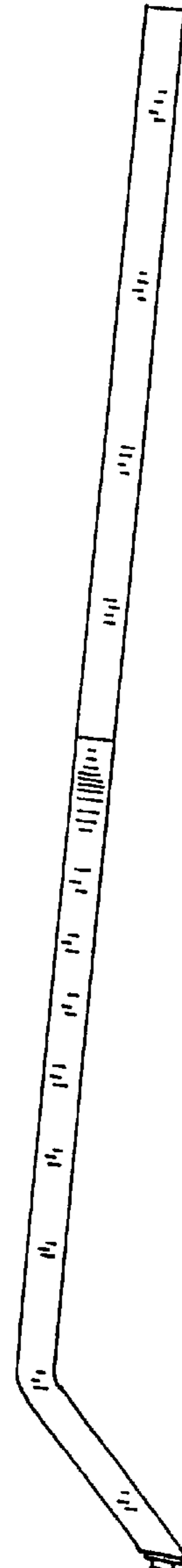


FIG. 6