



US00D448080B1

(12) **United States Design Patent**
Moscarelli et al.

(10) **Patent No.:** **US D448,080 S**

(45) **Date of Patent:** **** Sep. 18, 2001**

(54) **EPISIOTOMY RETRACTOR**

(75) Inventors: **Richard D. Moscarelli; Robert D. Auerbach**, both of Madison, CT (US)

(73) Assignee: **Innovative Surgical Design, LLC**, Madison, CT (US)

(**) Term: **14 Years**

(21) Appl. No.: **29/135,408**

(22) Filed: **Jan. 11, 2001**

(51) **LOC (7) Cl.** **24-02**

(52) **U.S. Cl.** **D24/135**

(58) **Field of Search** D24/135; 606/198, 606/197, 167; 600/219, 201, 213, 210, 217, 224

(56) **References Cited**

U.S. PATENT DOCUMENTS

831,592	9/1906	Ballard .	
3,038,467	* 6/1962	Sovatkin	600/219
3,176,682	4/1965	Wexler .	
3,470,872	* 10/1969	Grieshaber	600/217
3,716,047	2/1973	Moore et al. .	
3,841,317	10/1974	Awais .	
4,690,132	9/1987	Bayer et al. .	
4,754,746	7/1988	Cox .	
5,007,409	4/1991	Pope .	
5,167,222	12/1992	Schinkel et al. .	
5,618,260	* 4/1997	Caspar et al.	600/210
5,785,648	7/1998	Min .	

5,899,854	5/1999	Slishman .	
5,931,777	8/1999	Sava .	
6,024,697	2/2000	Pisarik .	
6,042,540	* 3/2000	Johnston et al.	600/213
6,099,547	* 8/2000	Gellman et al.	606/198

* cited by examiner

Primary Examiner—Ian Simmons

(74) *Attorney, Agent, or Firm*—Amster, Rothstein & Ebenstein

(57) **CLAIM**

The ornamental design for an episiotomy retractor, as shown and described.

DESCRIPTION

FIG. 1 is an isometric view from the front, top and one side of an episiotomy retractor showing our new design;
 FIG. 2 is a front elevational view thereof;
 FIG. 3 is a rear elevational view thereof;
 FIG. 4 is a side elevational view thereof, taken from the one side;
 FIG. 5 is a side elevational view thereof, opposite that shown in FIG. 4, with one member removed for ease of illustration to show the inside surface details of the members.
 FIG. 6 is a top plan view thereof;
 FIG. 7 is a bottom plan view thereof;
 FIG. 8 is a front elevational view thereof, shown in open configuration; and,
 FIG. 9 is a bottom plan view thereof.

1 Claim, 9 Drawing Sheets

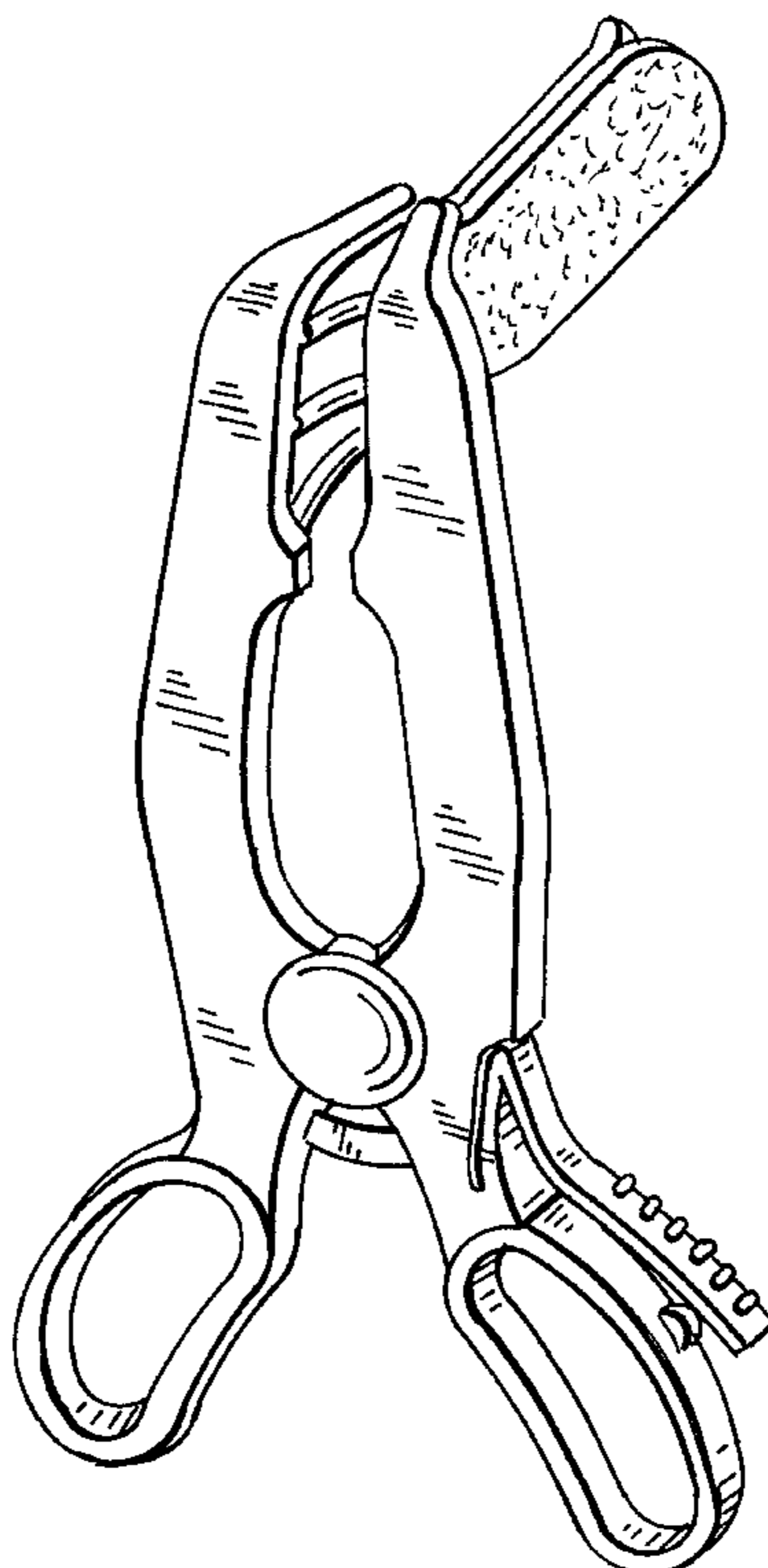


FIG. 1

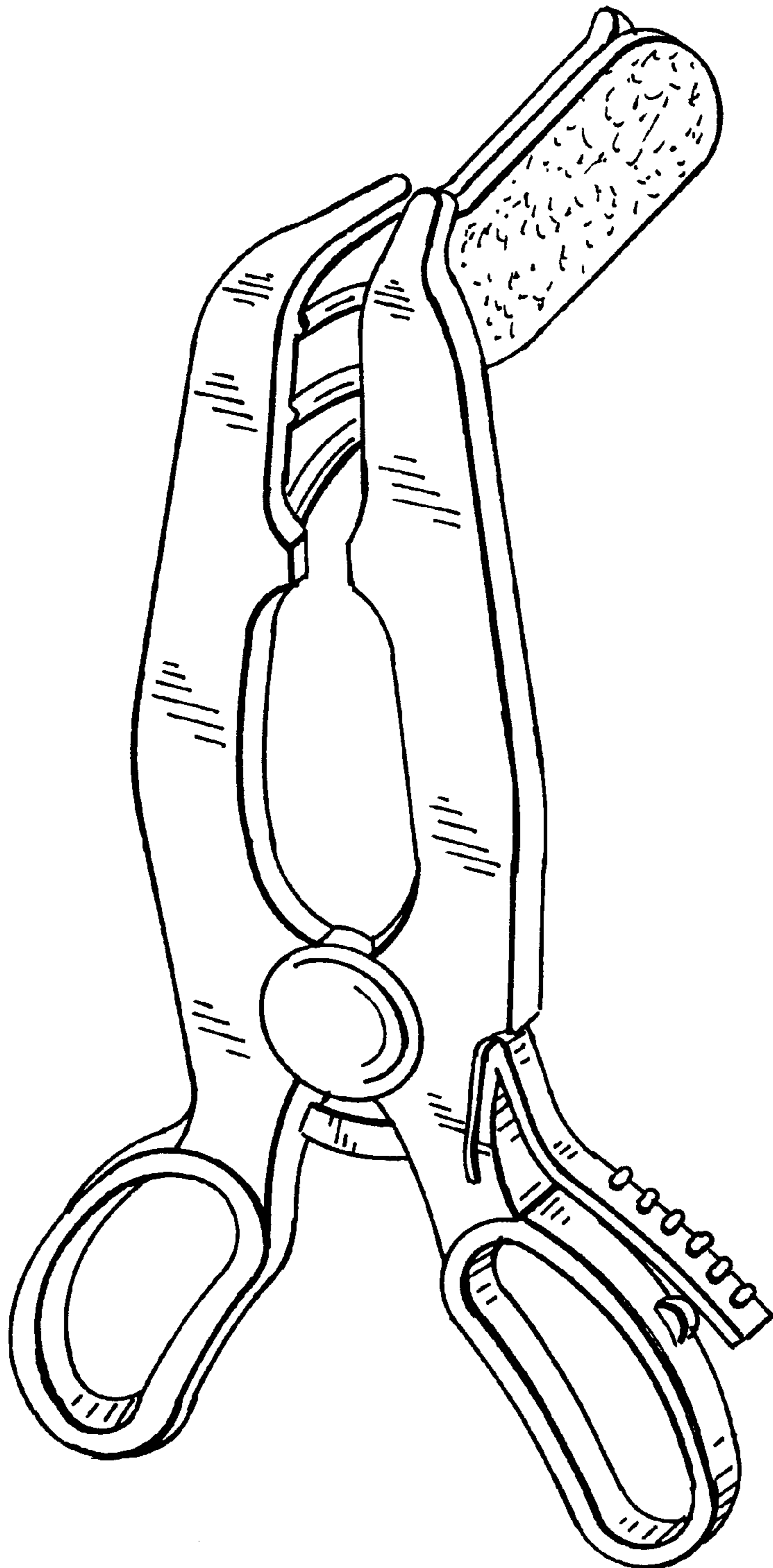


FIG. 2

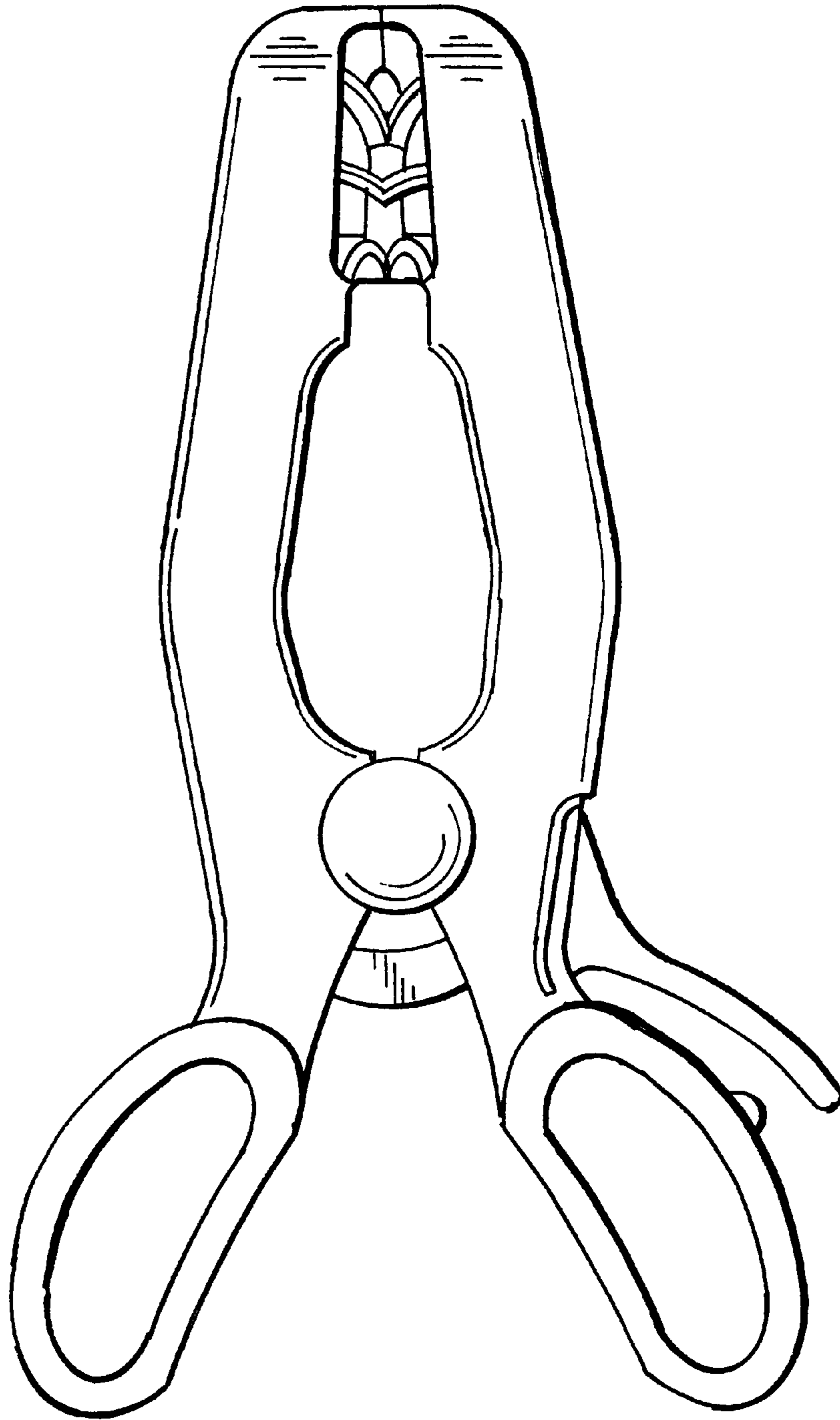
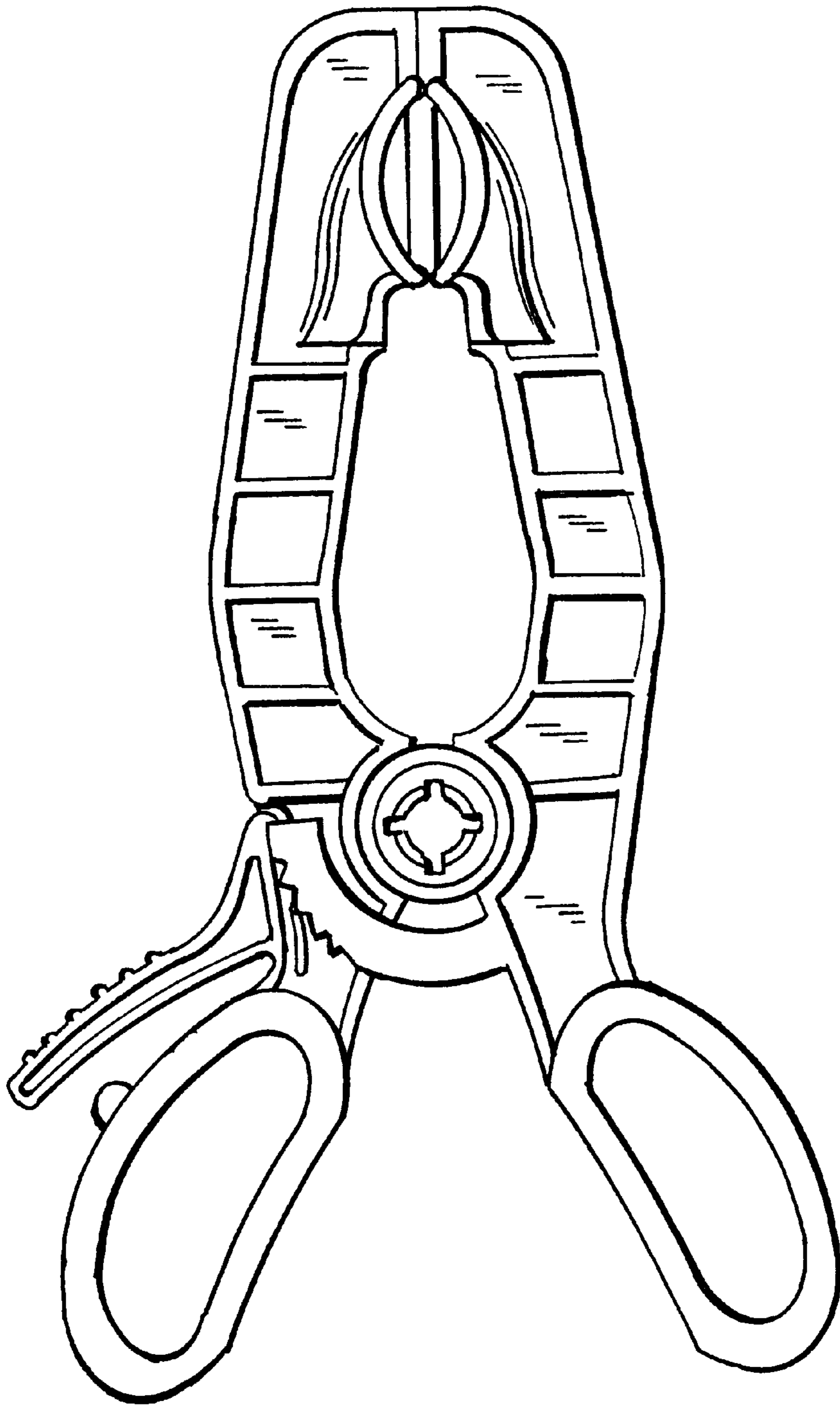


FIG. 3



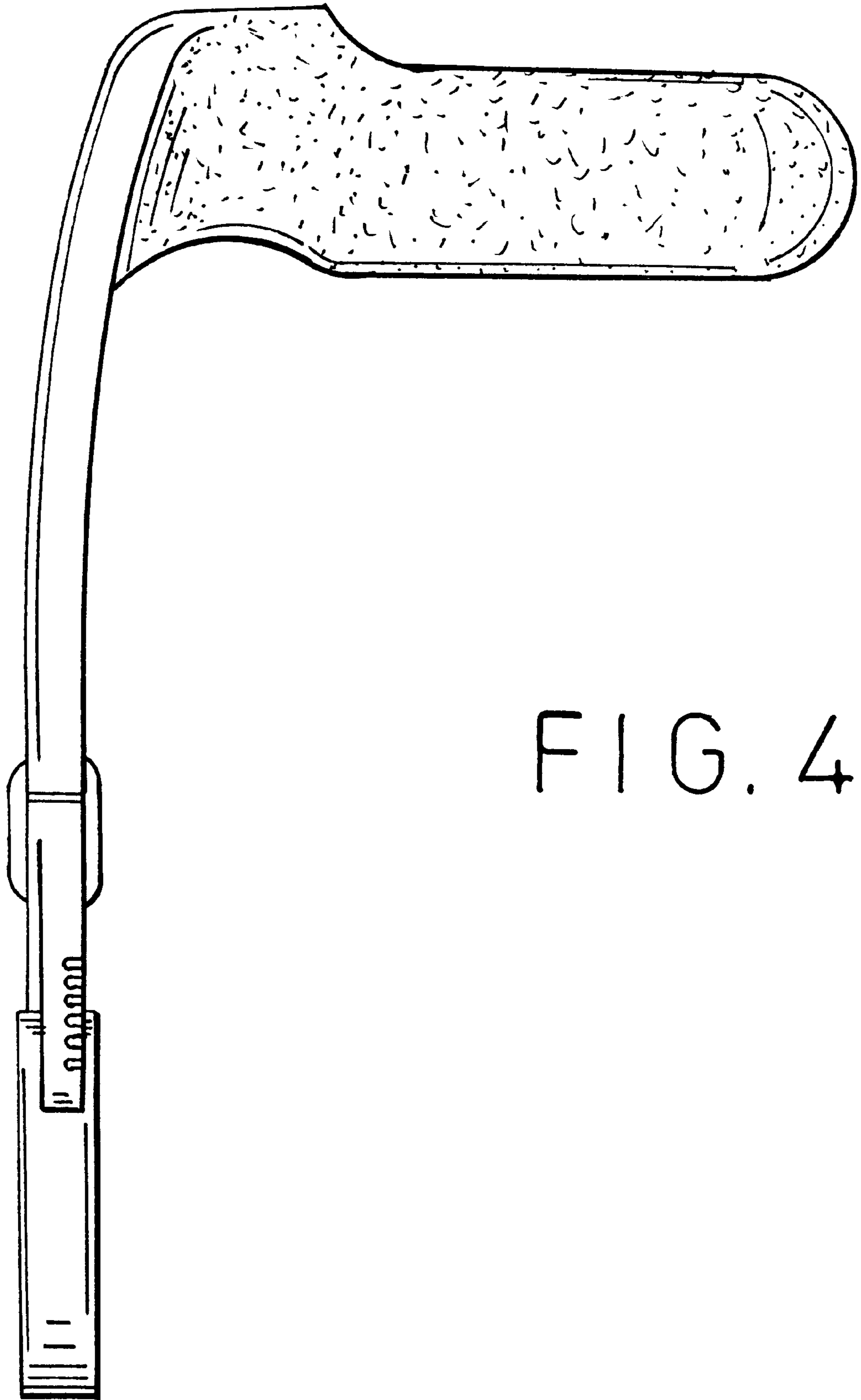


FIG. 4

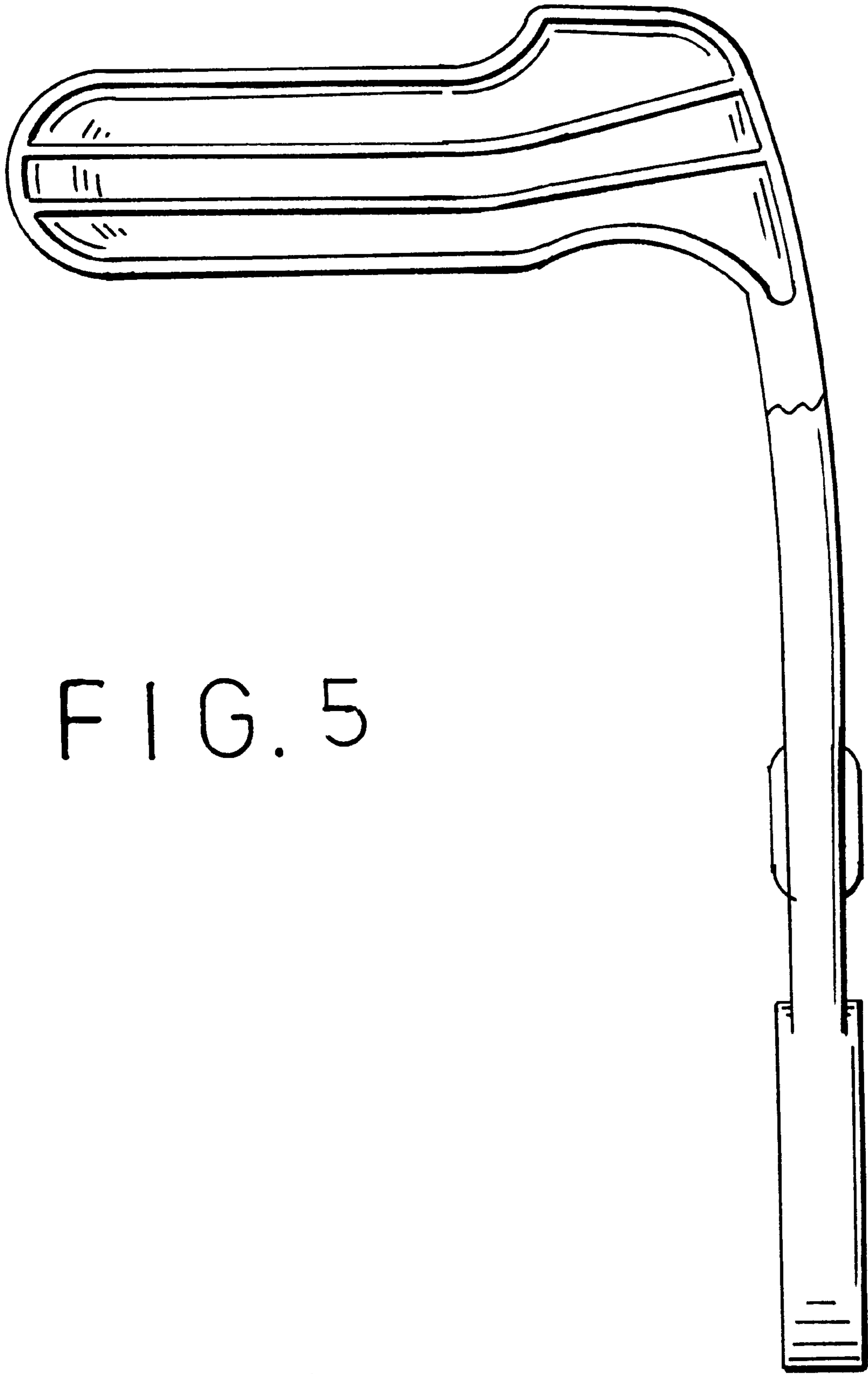


FIG. 5

FIG. 6

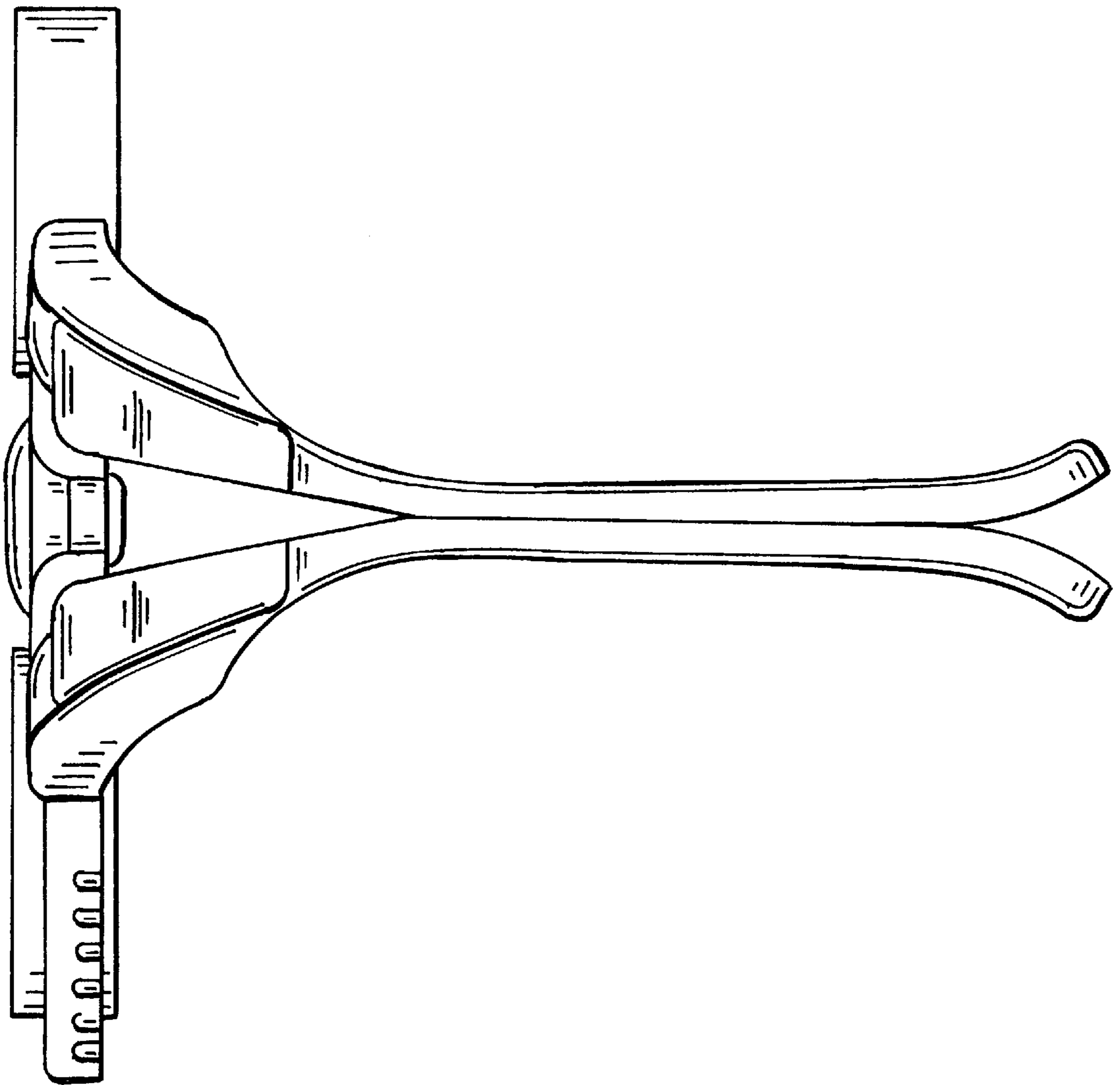


FIG. 7

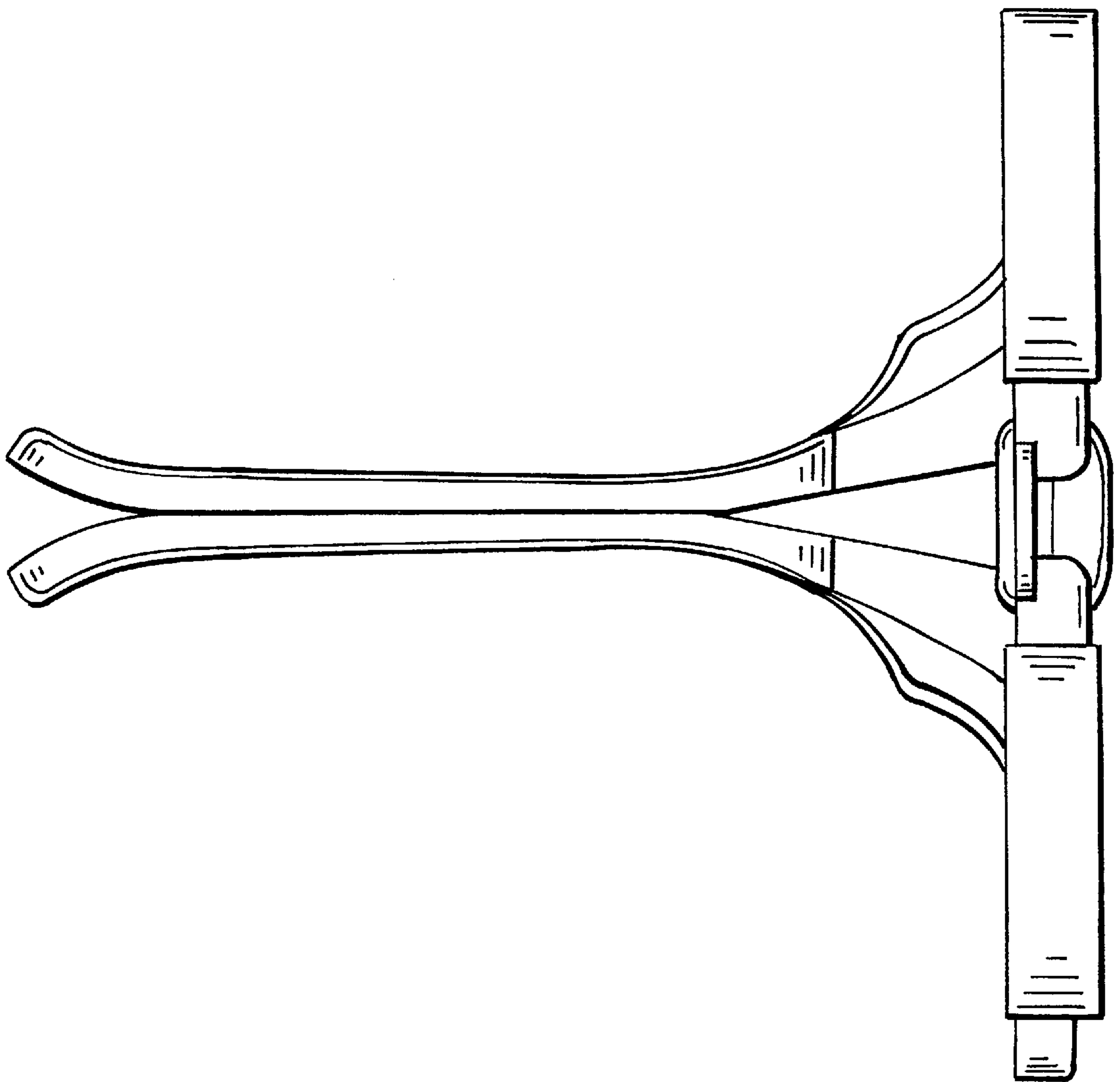


FIG. 8

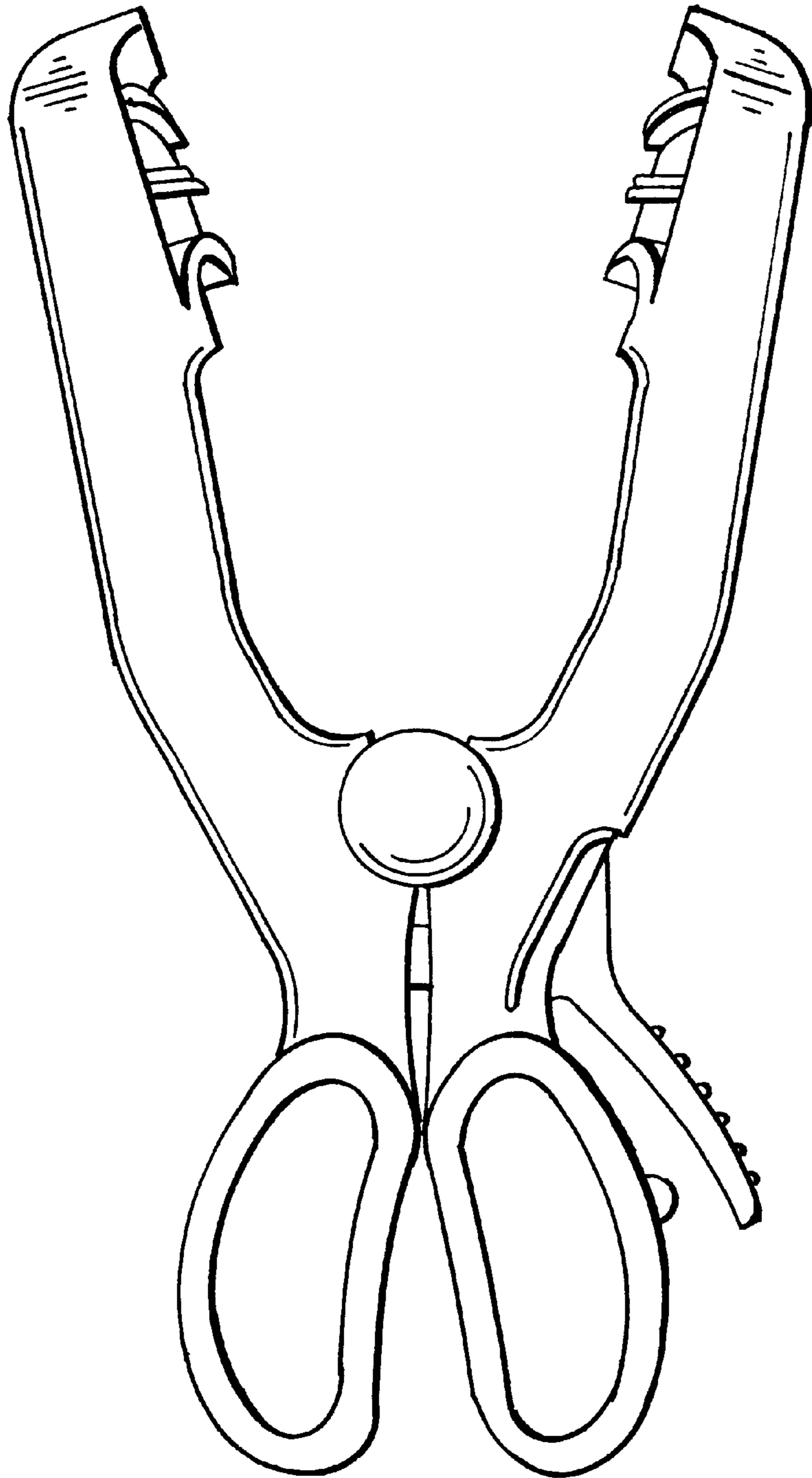


FIG. 9

