



US00D448076B1

(12) **United States Design Patent**
von Schuckmann

(10) **Patent No.:** **US D448,076 S**

(45) **Date of Patent:** **** Sep. 18, 2001**

(54) **INHALER**

(75) Inventor: **Alfred von Schuckmann**, Kevelaer
(DE)

(73) Assignee: **AstraZeneca AB**, Södertälje (SE)

(**) Term: **14 Years**

(21) Appl. No.: **29/112,848**

(22) Filed: **May 15, 1998**

Related U.S. Application Data

(62) Division of application No. 29/065,673, filed on Nov. 13, 1996, now Pat. No. Des. 428,486.

(30) **Foreign Application Priority Data**

May 17, 1996 (DE) M 96 04 334

(51) **LOC (7) Cl.** **29-02**

(52) **U.S. Cl.** **D24/110**

(58) **Field of Search** D24/110; 128/203.15,
128/203.21, 203.22, 203.23, 200.23, 200.11

(56) **References Cited**

U.S. PATENT DOCUMENTS

D. 363,775 * 10/1995 Hobbs D24/110
5,070,870 * 12/1991 Pearce 128/203.15
5,881,719 * 3/1999 Gottenauer et al. 128/203.15

* cited by examiner

Primary Examiner—Ian Simmons

(74) *Attorney, Agent, or Firm*—Martin A. Farber

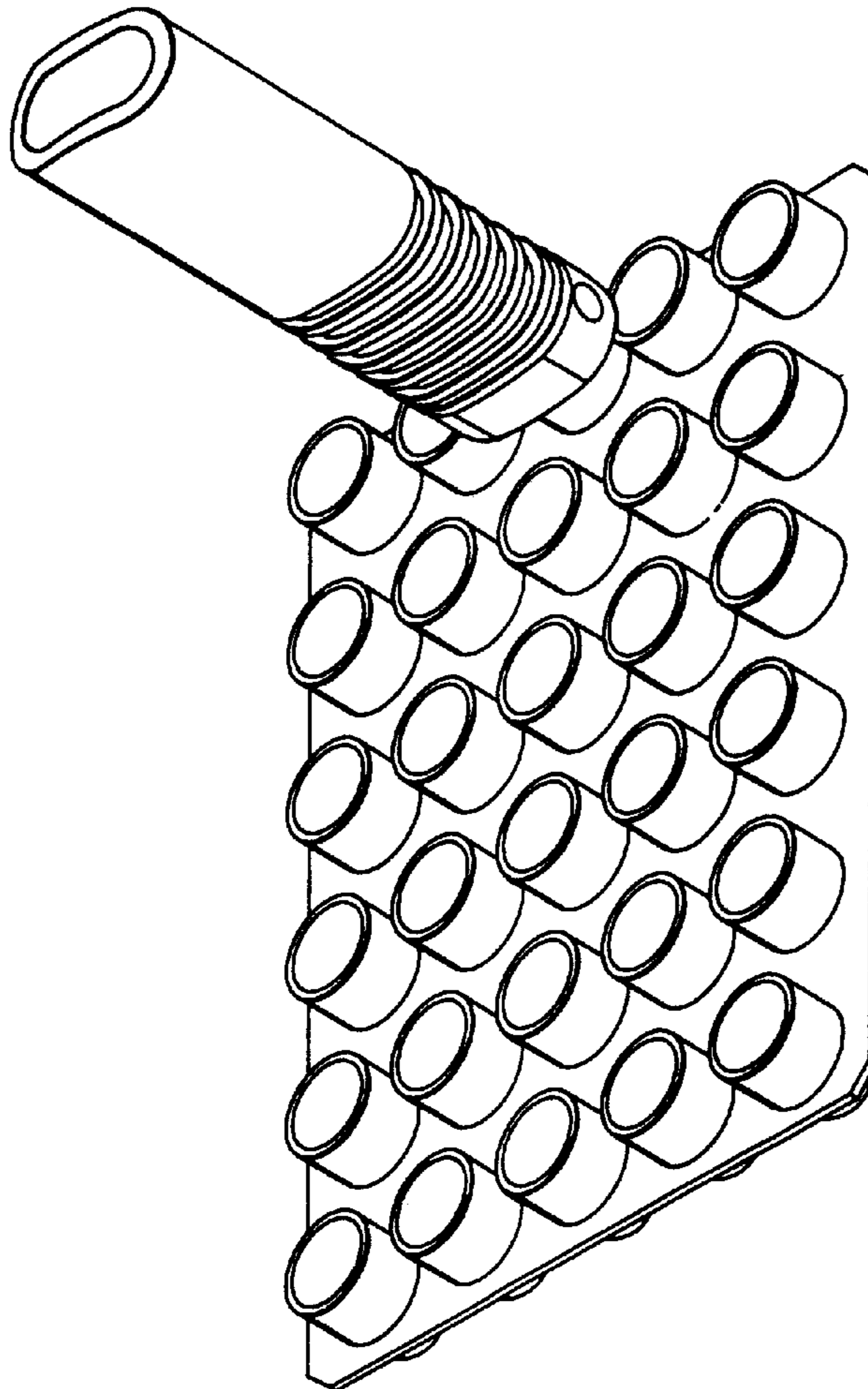
(57) **CLAIM**

The ornamental design for an inhaler, as shown and described.

DESCRIPTION

FIG. 1 is a perspective view of an inhaler with a mouthpiece in accordance with the invention.

1 Claim, 1 Drawing Sheet



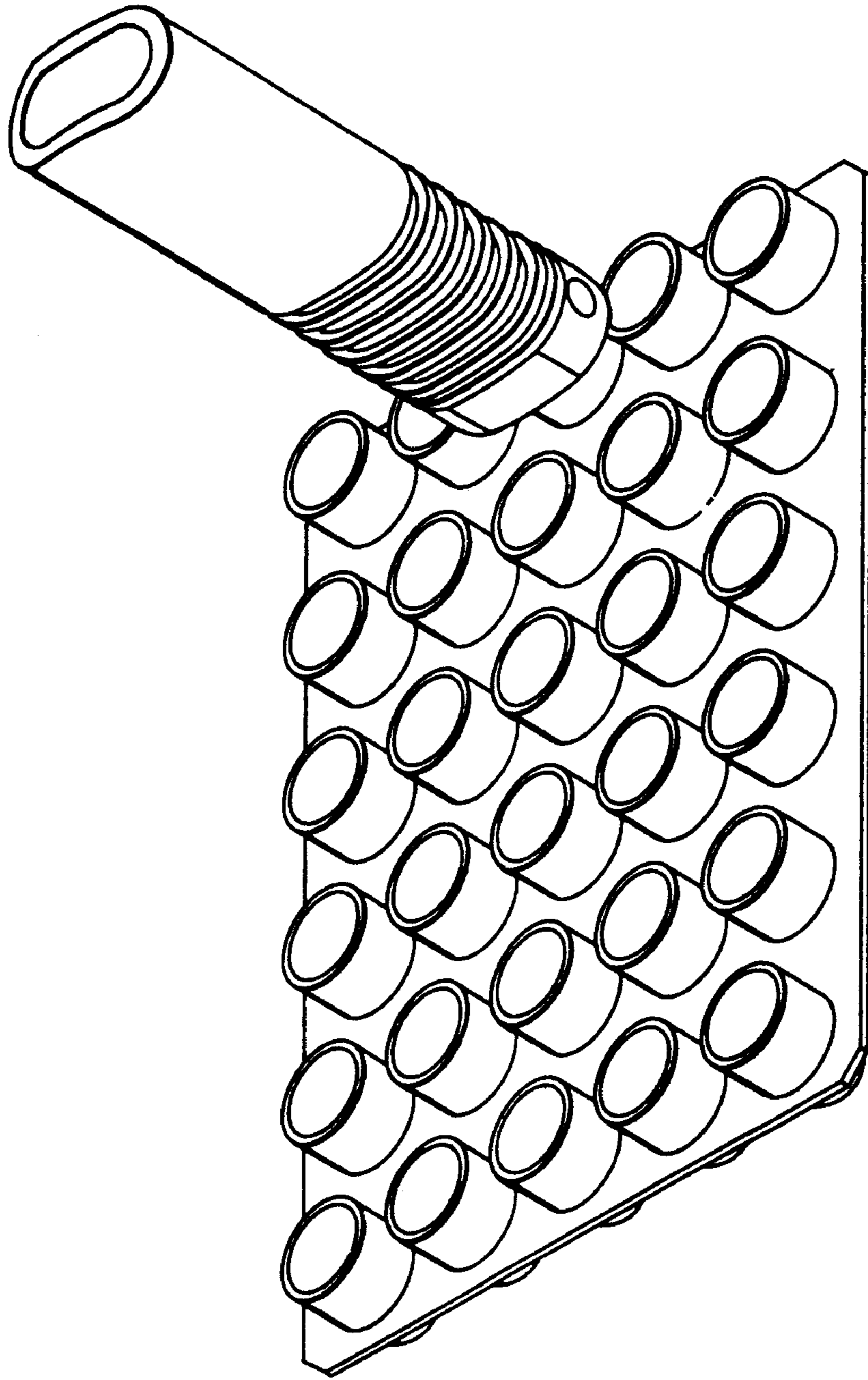


Fig. 1