



US00D448073B1

(12) **United States Design Patent**
Wakasa

(10) **Patent No.:** **US D448,073 S**

(45) **Date of Patent:** **** Sep. 18, 2001**

(54) **AIR CONDITIONER**

(75) **Inventor:** **Masamichi Wakasa, Tokyo (JP)**

(73) **Assignee:** **Toshiba Carrier Kabushiki Kaisha, Tokyo (JP)**

(**) **Term:** **14 Years**

(21) **Appl. No.:** **29/128,981**

(22) **Filed:** **Sep. 7, 2000**

(30) **Foreign Application Priority Data**

Mar. 8, 2000 (JP) 12-004909

(51) **LOC (7) Cl.** **23-04**

(52) **U.S. Cl.** **D23/351**

(58) **Field of Search** D23/351-354,
D23/333, 387, 388; 312/236; 62/259.1,
262, 263; 454/201-4, 349-351, 354, 330-2

(56) **References Cited**

U.S. PATENT DOCUMENTS

D. 327,736 * 7/1992 Shimano et al. D23/351
D. 351,648 * 10/1994 Ikeda et al. D23/351

D. 402,020 * 12/1998 Aihara et al. D23/351
D. 420,116 * 2/2000 Kobayashi D23/351
D. 437,398 * 2/2001 Kobayashi D23/351
D. 439,317 * 3/2001 Kobayashi D23/351
5,664,428 * 9/1997 Sugiyama et al. 62/262

* cited by examiner

Primary Examiner—B. J. Bullock

(74) *Attorney, Agent, or Firm*—Oblon, Spivak, McClelland, Maier & Neustadt, P.C.

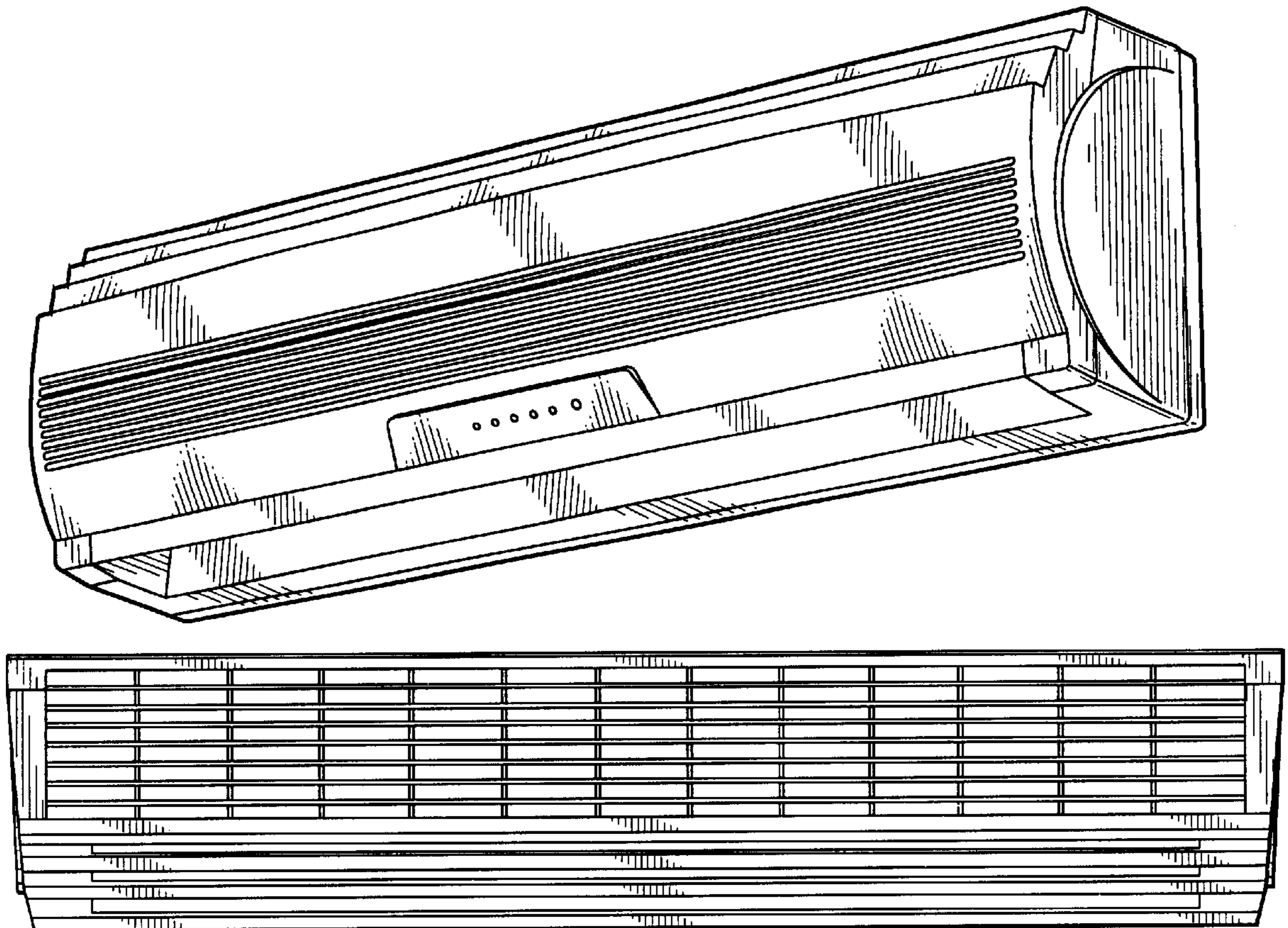
(57) **CLAIM**

The ornamental design for an air conditioner, as shown and described.

DESCRIPTION

FIG. 1 is a front, bottom and right side perspective view of an air conditioner showing my new design;
FIG. 2 is a front elevational view thereof;
FIG. 3 is a top plan view thereof;
FIG. 4 is a right side elevational view thereof, a left side being a mirror image thereof;
FIG. 5 is a bottom plan view thereof; and,
FIG. 6 is a rear elevational view thereof.

1 Claim, 3 Drawing Sheets



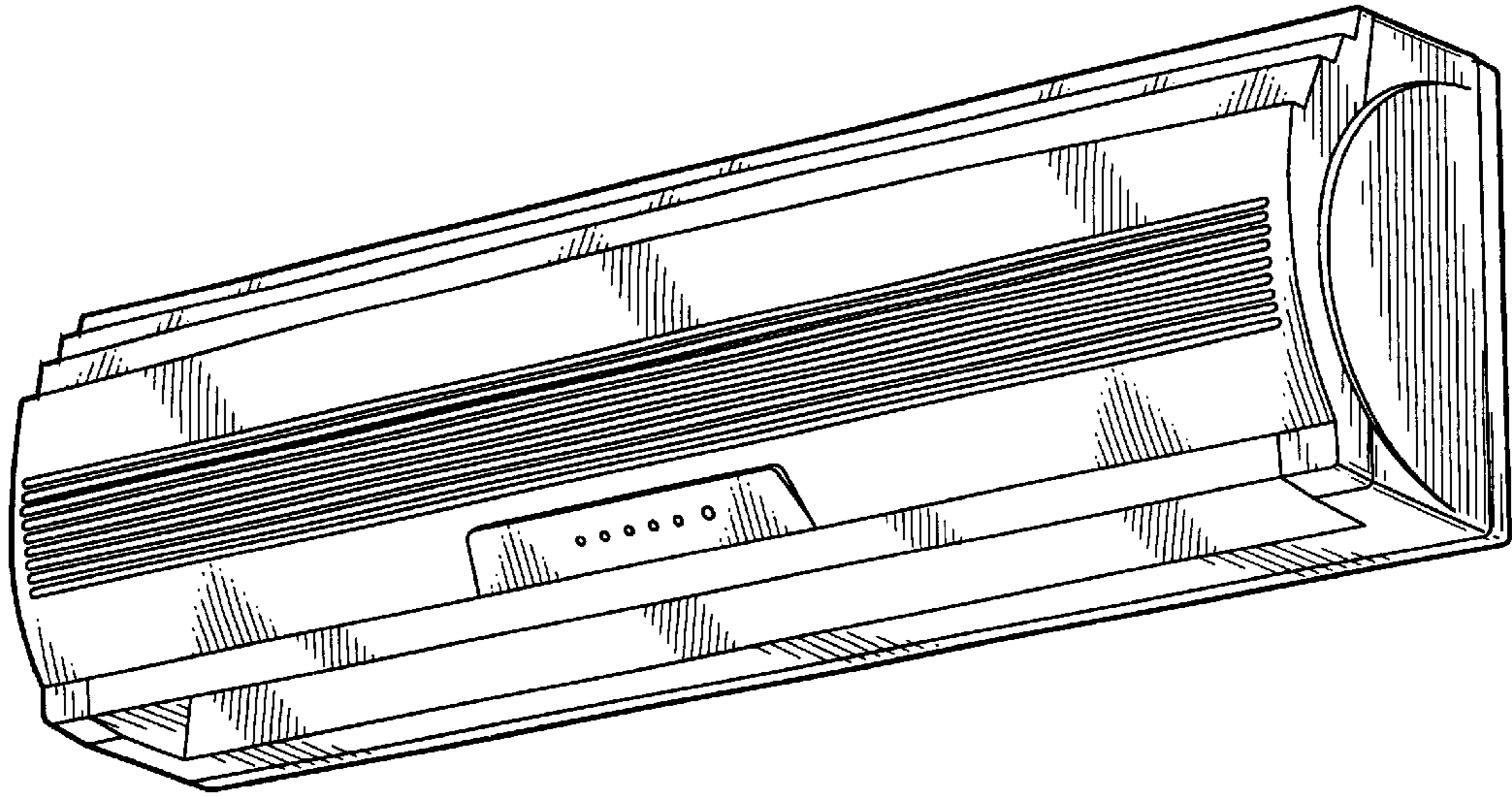


FIG. 1

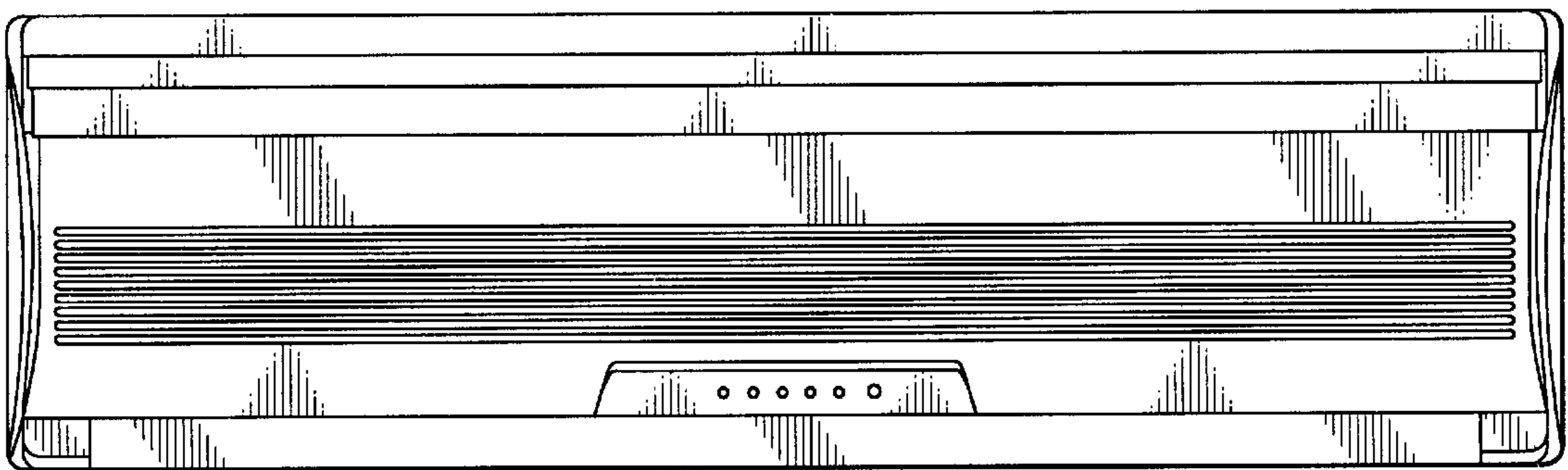


FIG. 2

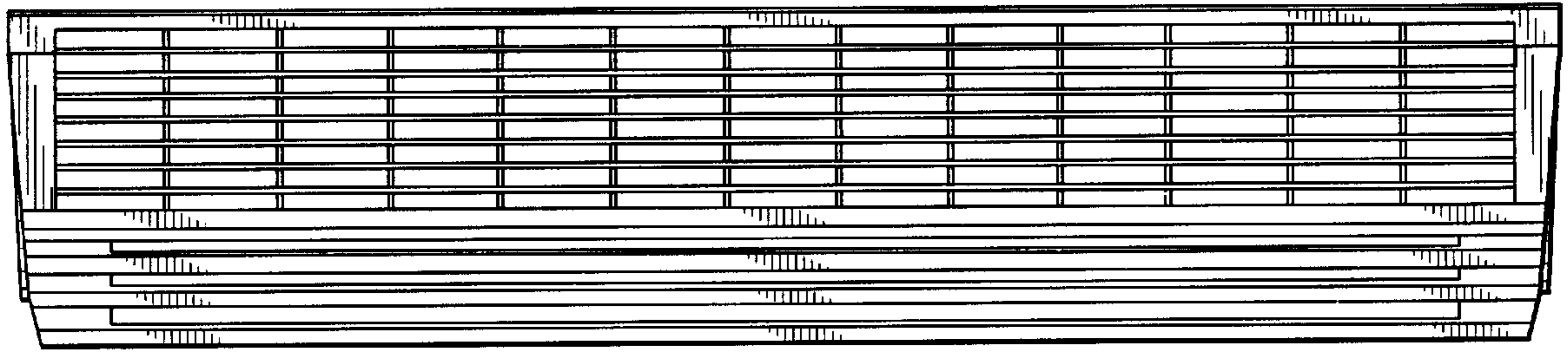


FIG. 3

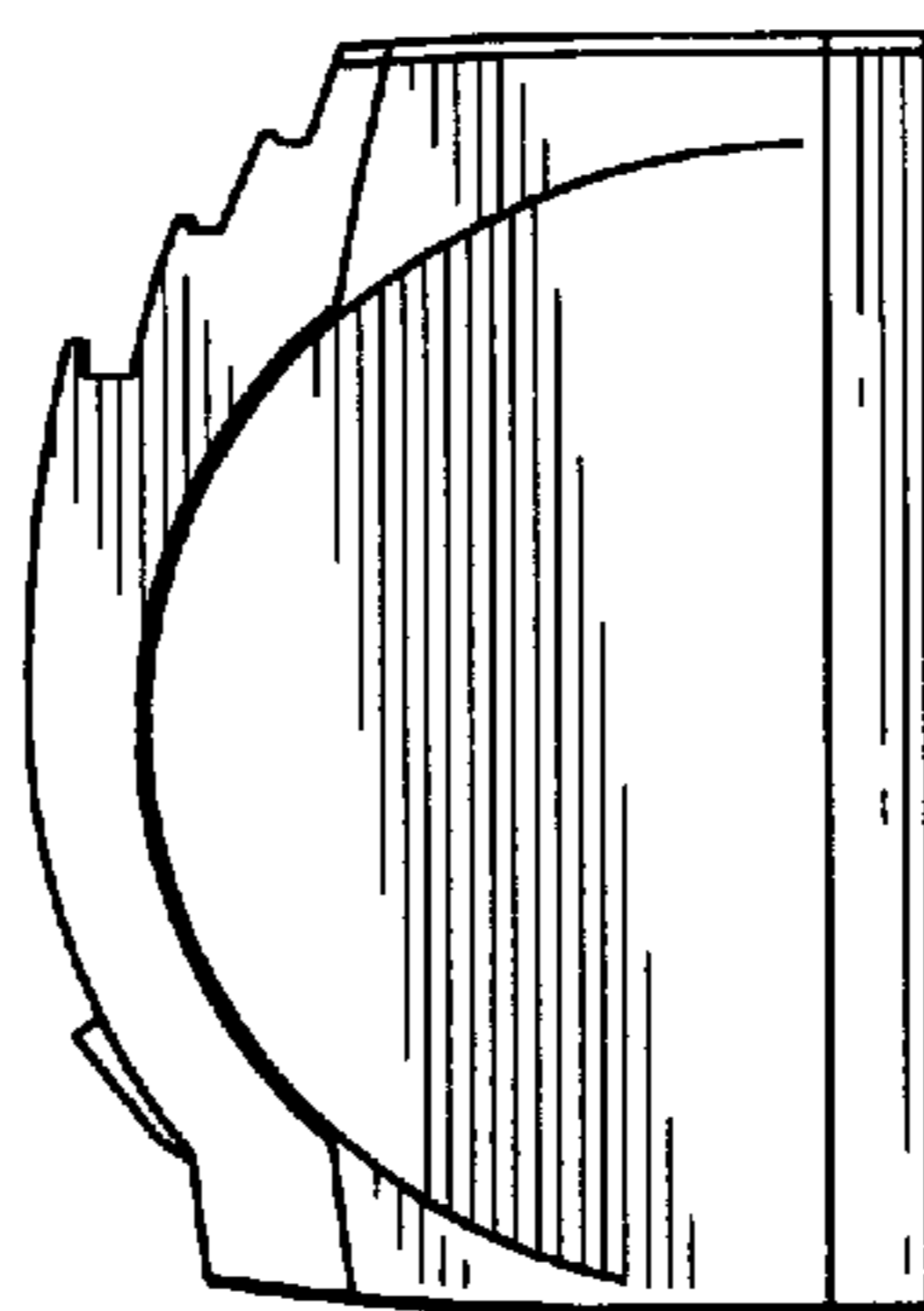


FIG. 4

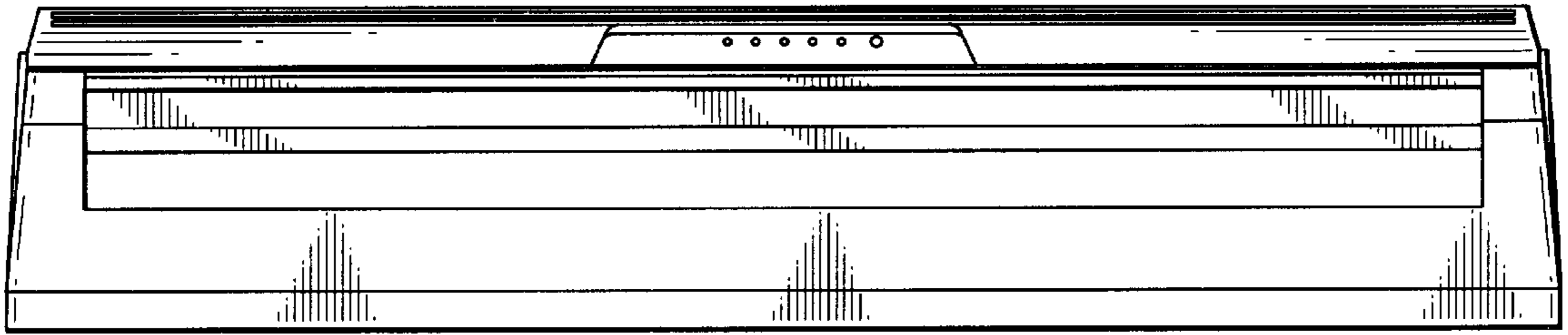


FIG. 5

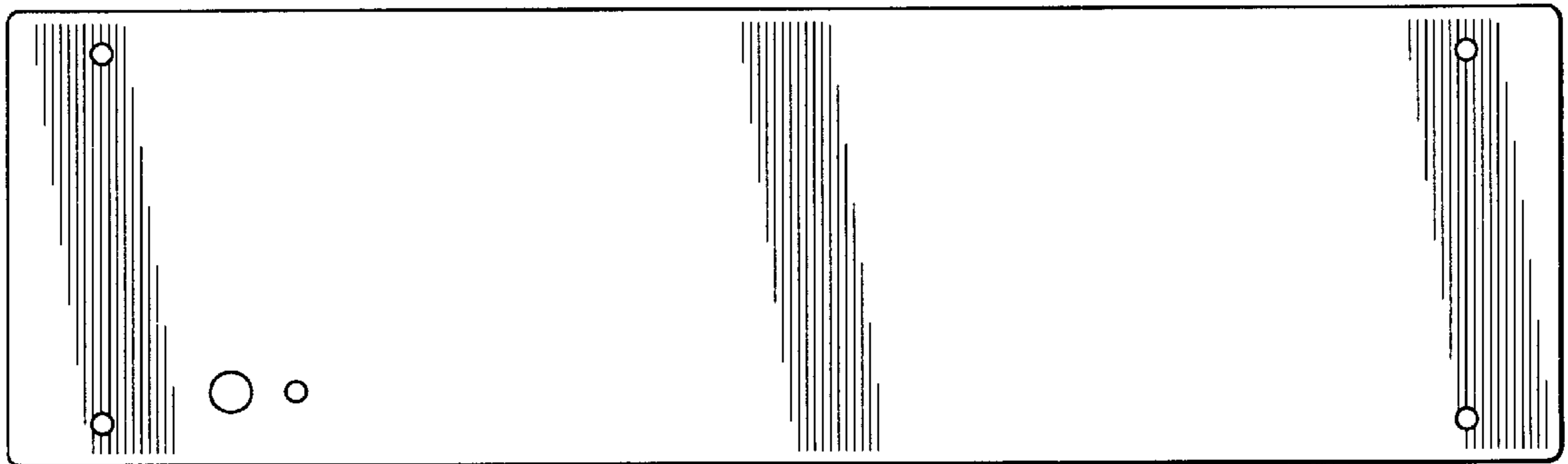


FIG. 6