



US00D448072B1

(12) **United States Design Patent**  
**Wakasa**

(10) **Patent No.:** **US D448,072 S**

(45) **Date of Patent:** **\*\* Sep. 18, 2001**

(54) **AIR CONDITIONER**

(75) **Inventor:** **Masamichi Wakasa, Tokyo (JP)**

(73) **Assignee:** **Toshiba Carrier Kabushiki Kaisha, Tokyo (JP)**

(\*\*) **Term:** **14 Years**

(21) **Appl. No.:** **29/128,972**

(22) **Filed:** **Sep. 7, 2000**

(30) **Foreign Application Priority Data**

Mar. 8, 2000 (JP) ..... 12-004908

(51) **LOC (7) Cl.** ..... **23-04**

(52) **U.S. Cl.** ..... **D23/351**

(58) **Field of Search** ..... D23/351-354,  
D23/333, 387, 388; 312/236; 62/259.1,  
262, 263; 454/201-4, 349-51, 354, 330-2

(56) **References Cited**

**U.S. PATENT DOCUMENTS**

D. 327,736 \* 7/1992 Shimano et al. .... D23/351  
D. 351,648 \* 10/1994 Ikeda et al. .... D23/351

D. 402,020 \* 12/1998 Aihara et al. .... D23/351  
D. 420,116 \* 2/2000 Kobayashi ..... D23/351  
D. 437,398 \* 2/2001 Kobayashi ..... D23/351  
D. 439,317 \* 3/2001 Kobayashi ..... D23/351  
5,664,428 \* 9/1997 Sugiyama et al. .... 62/262

\* cited by examiner

*Primary Examiner*—B. J. Bullock

(74) *Attorney, Agent, or Firm*—Oblon, Spivak, McClelland, Maier & Neustadt, P.C.

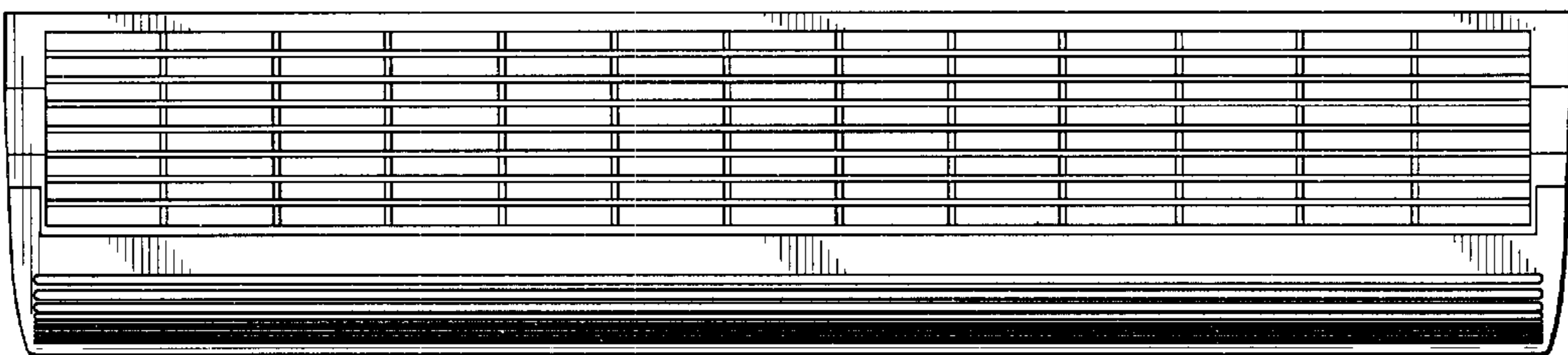
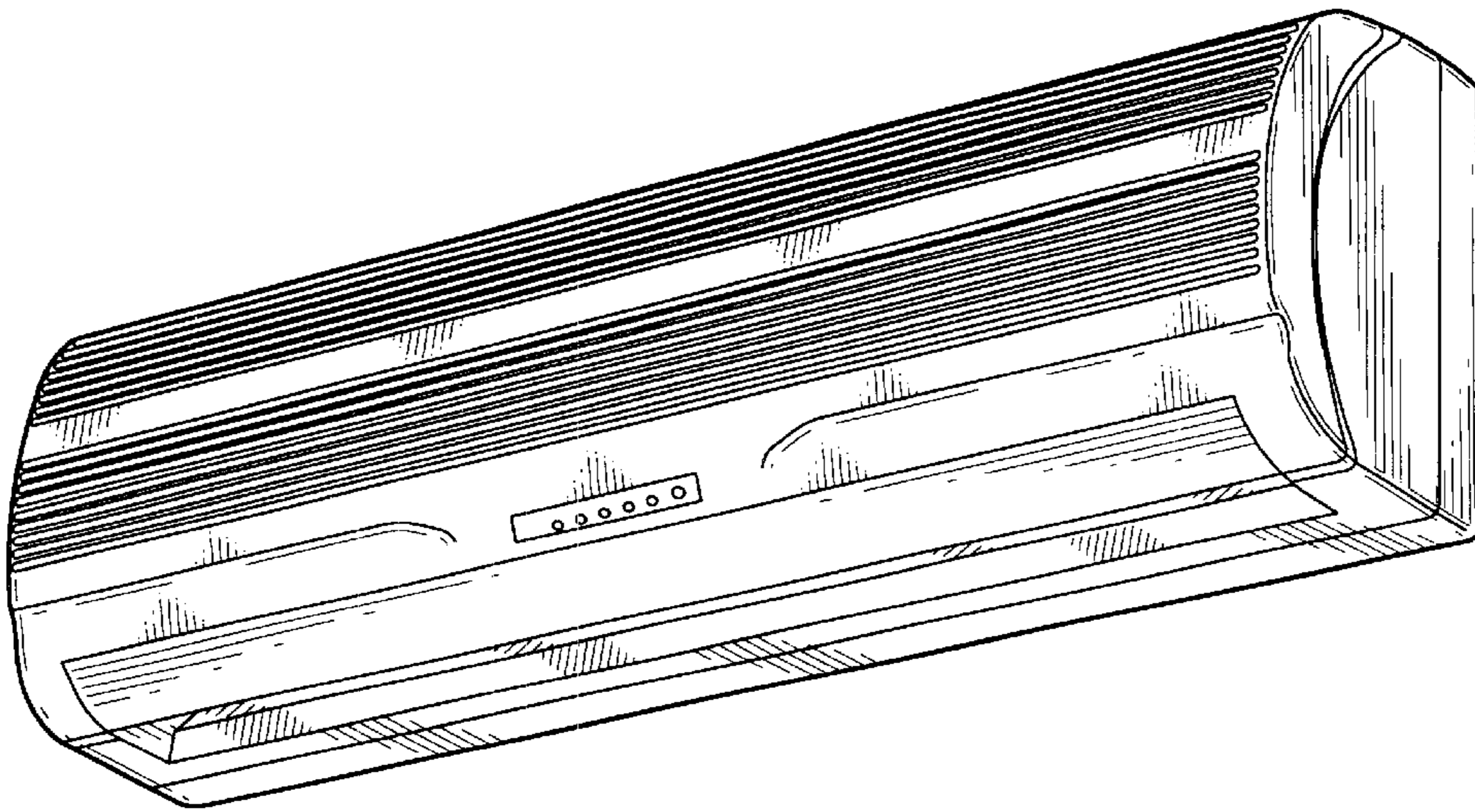
(57) **CLAIM**

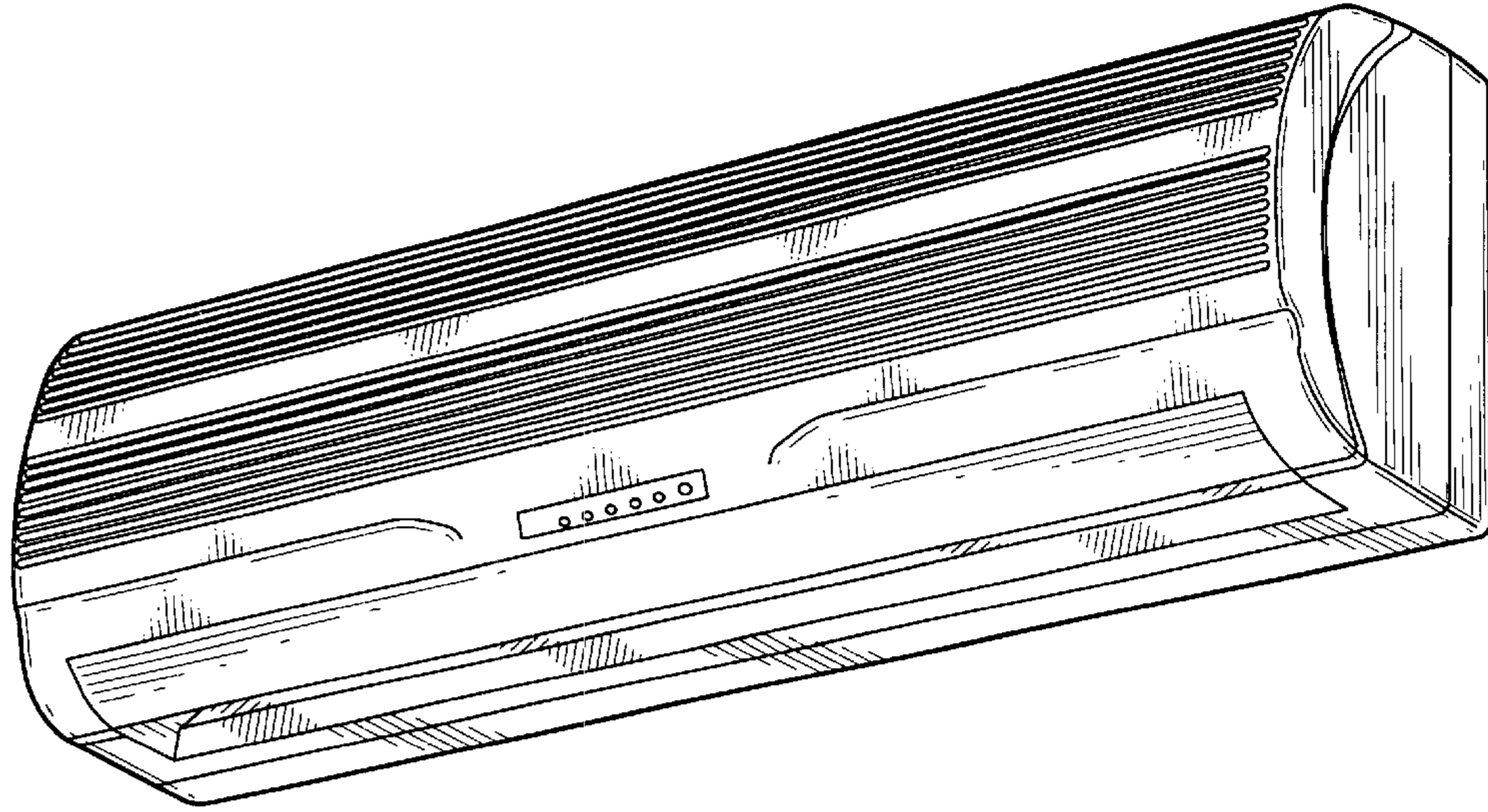
The ornamental design for an air conditioner, as shown and described.

**DESCRIPTION**

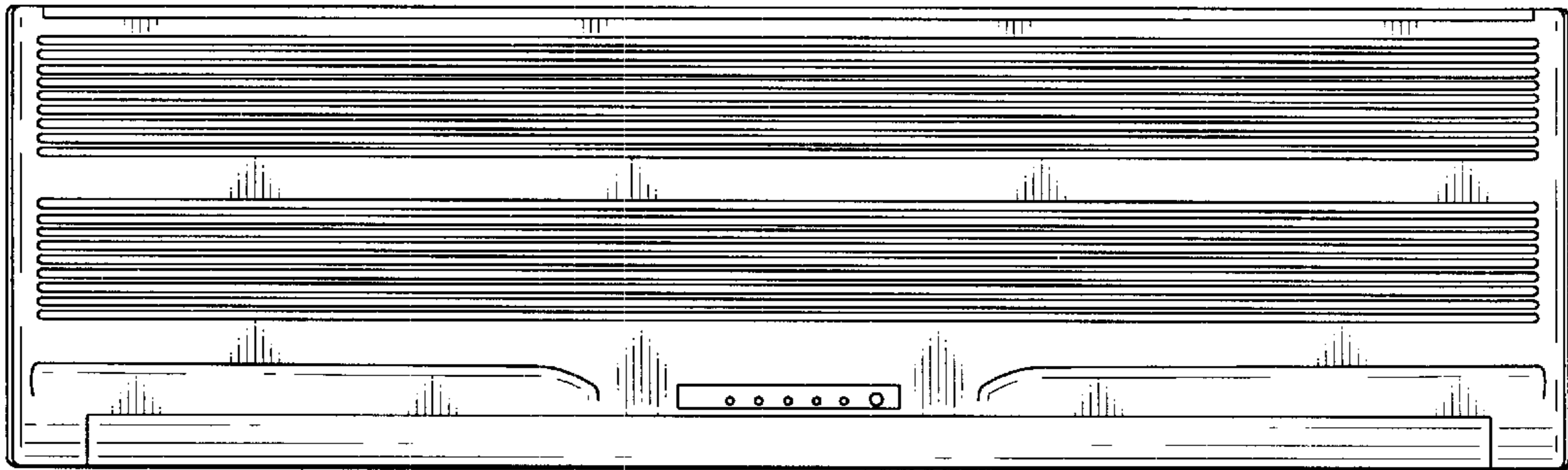
FIG. 1 is a front, bottom and right side perspective view of an air conditioner showing my new design;  
FIG. 2 is a front elevational view thereof;  
FIG. 3 is a top plan view thereof;  
FIG. 4 is a right side elevational view thereof, a left side being a mirror image thereof;  
FIG. 5 is a bottom plan view thereof; and,  
FIG. 6 is a rear elevational view thereof.

**1 Claim, 3 Drawing Sheets**





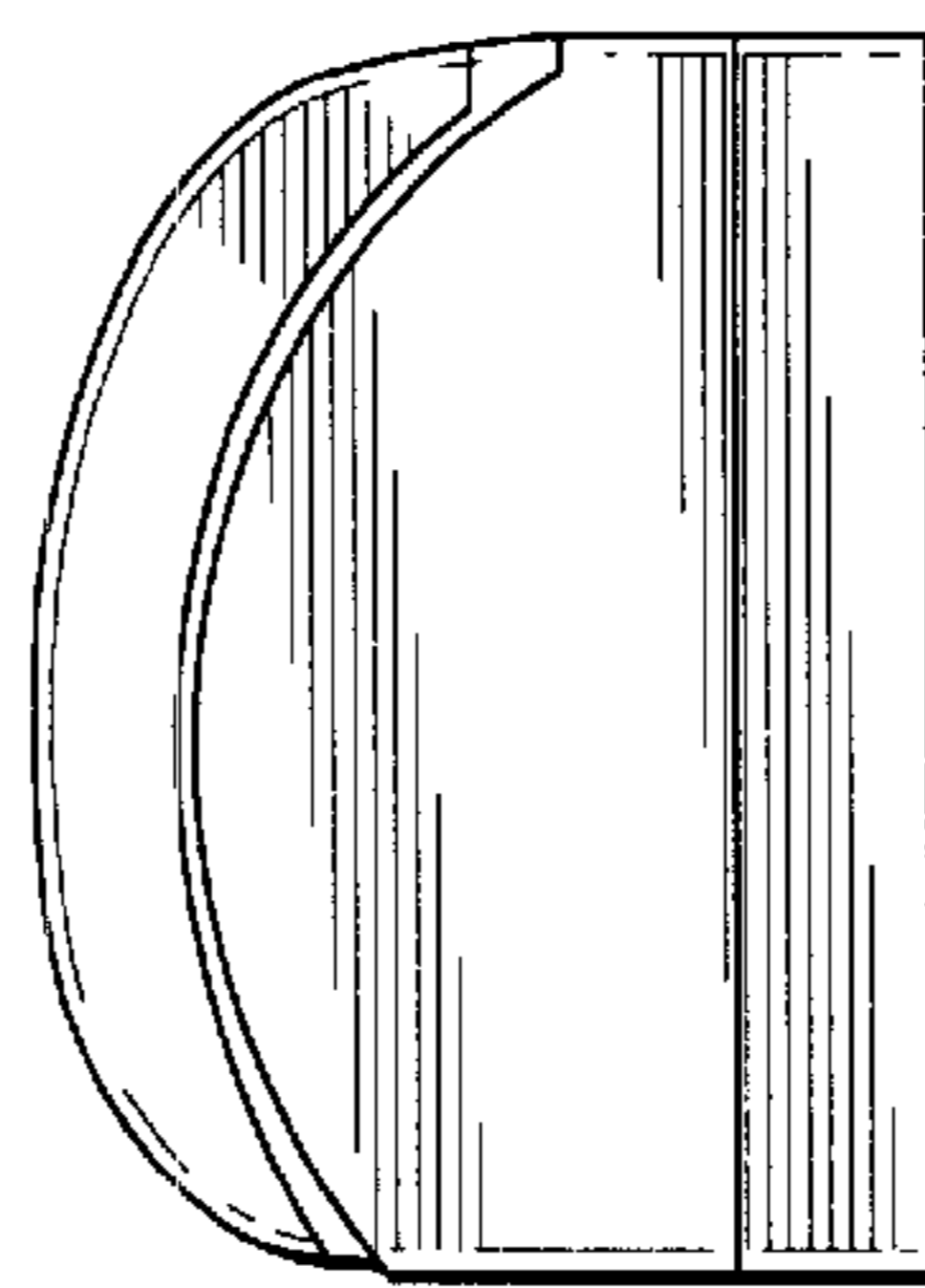
*FIG. 1*



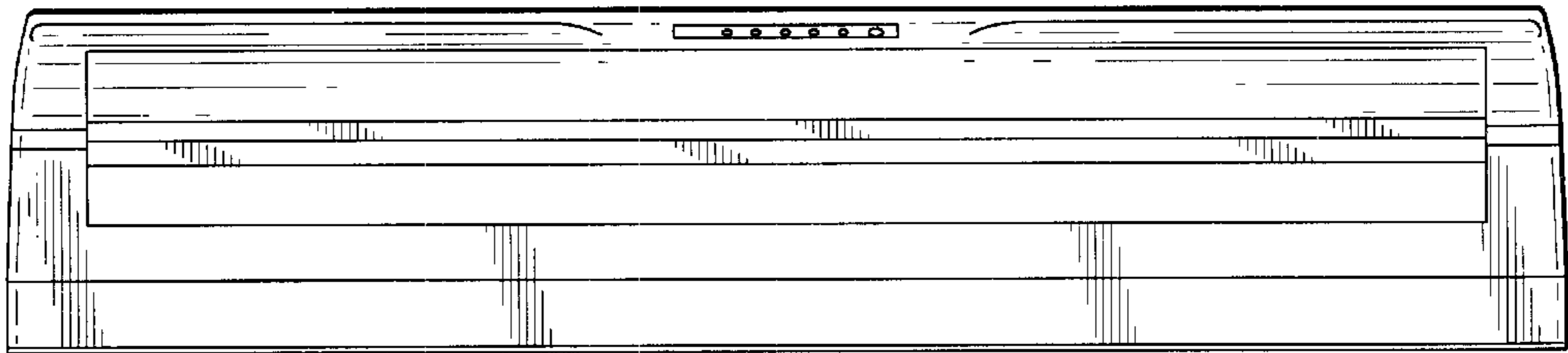
*FIG. 2*



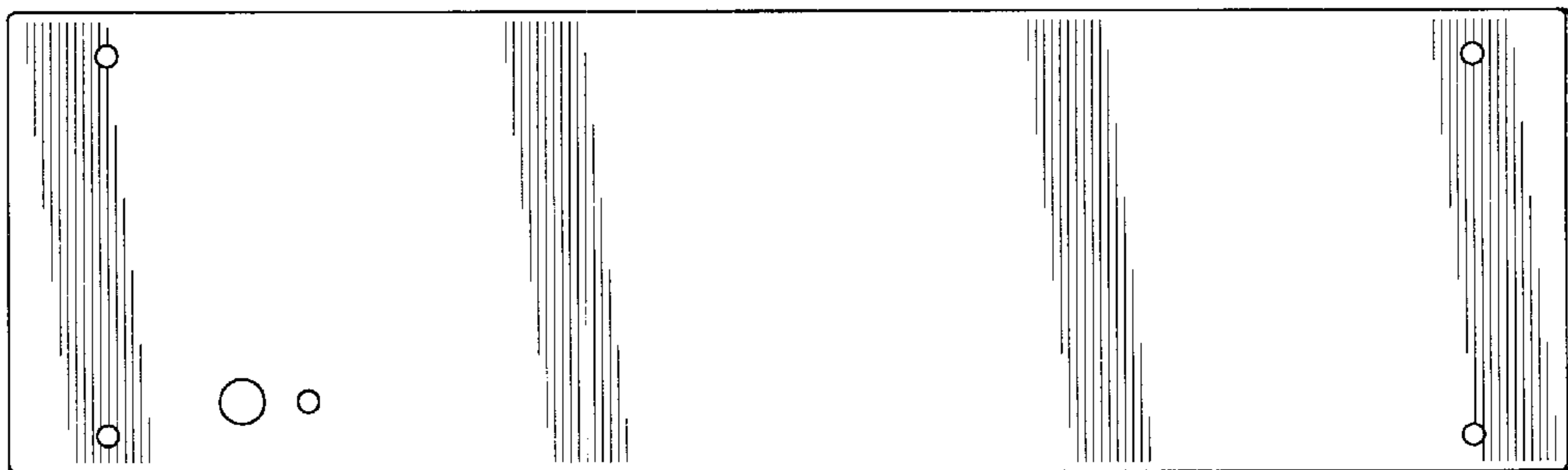
*FIG. 3*



*FIG. 4*



*FIG. 5*



*FIG. 6*