



US00D448069B1

(12) **United States Design Patent**
Wales

(10) **Patent No.:** **US D448,069 S**

(45) **Date of Patent:** **** Sep. 18, 2001**

(54) **SHOWER HEAD HOLDER**

5,896,599 * 4/1999 Bosio 4/605
6,123,308 * 9/2000 Faisst 4/605

(75) Inventor: **Michael Wales**, Riverside, CT (US)

* cited by examiner

(73) Assignee: **Resources Conservation, Inc.**,
Stamford, CT (US)

Primary Examiner—Robin V. Taylor
(74) *Attorney, Agent, or Firm*—St. Onge Steward Johnston
& Reens LLC

(**) Term: **14 Years**

(57) **CLAIM**

(21) Appl. No.: **29/121,199**

The ornamental design for a shower head holder, as shown and described.

(22) Filed: **Mar. 30, 2000**

DESCRIPTION

(51) **LOC (7) Cl.** **23-02**

FIG. 1 is a top, front, right-side perspective view of a shower head holder showing new design in its intended environment.

(52) **U.S. Cl.** **D23/303; D23/249; D23/213;**
D6/524

FIG. 2 is a top, front, right-side perspective view thereof;

(58) **Field of Search** D23/213, 228,
D23/303, 249; 4/605, 615; D6/524

FIG. 3 is a front-side elevational view thereof;

FIG. 4 is a left-side elevational view thereof;

FIG. 5 is a top plan view thereof;

FIG. 6 is a back-side elevational view thereof;

FIG. 7 is a left-side elevational view thereof; and,

FIG. 8 is a bottom plan view thereof.

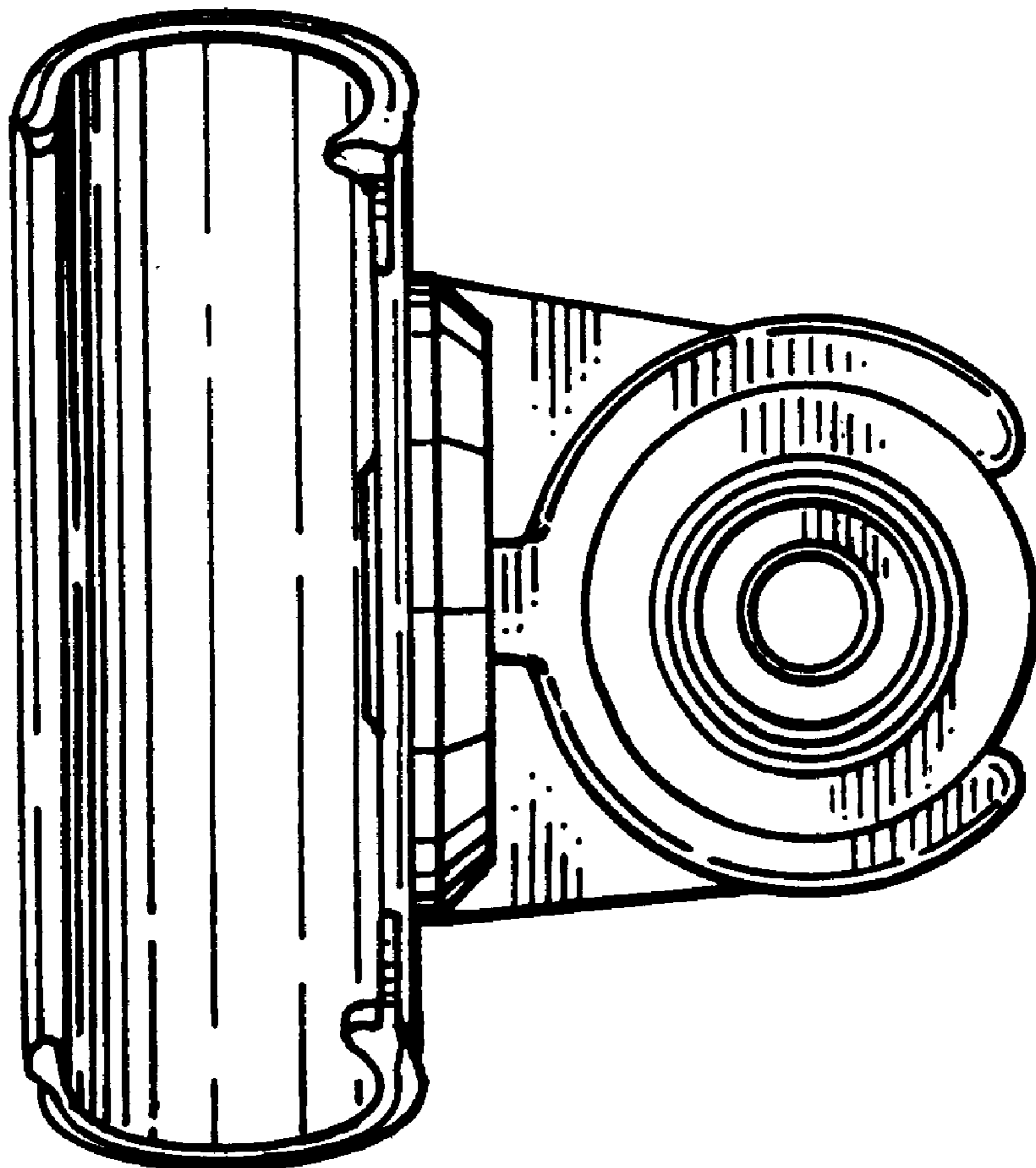
(56) **References Cited**

The broken line showing of a shower head is for illustrative purposes only and forms no part of the claimed design.

U.S. PATENT DOCUMENTS

D. 340,376 * 10/1993 Klose D6/524
5,277,391 * 1/1994 Haug et al. 4/605
5,857,225 * 1/1999 Bischoff et al. 4/605

1 Claim, 3 Drawing Sheets



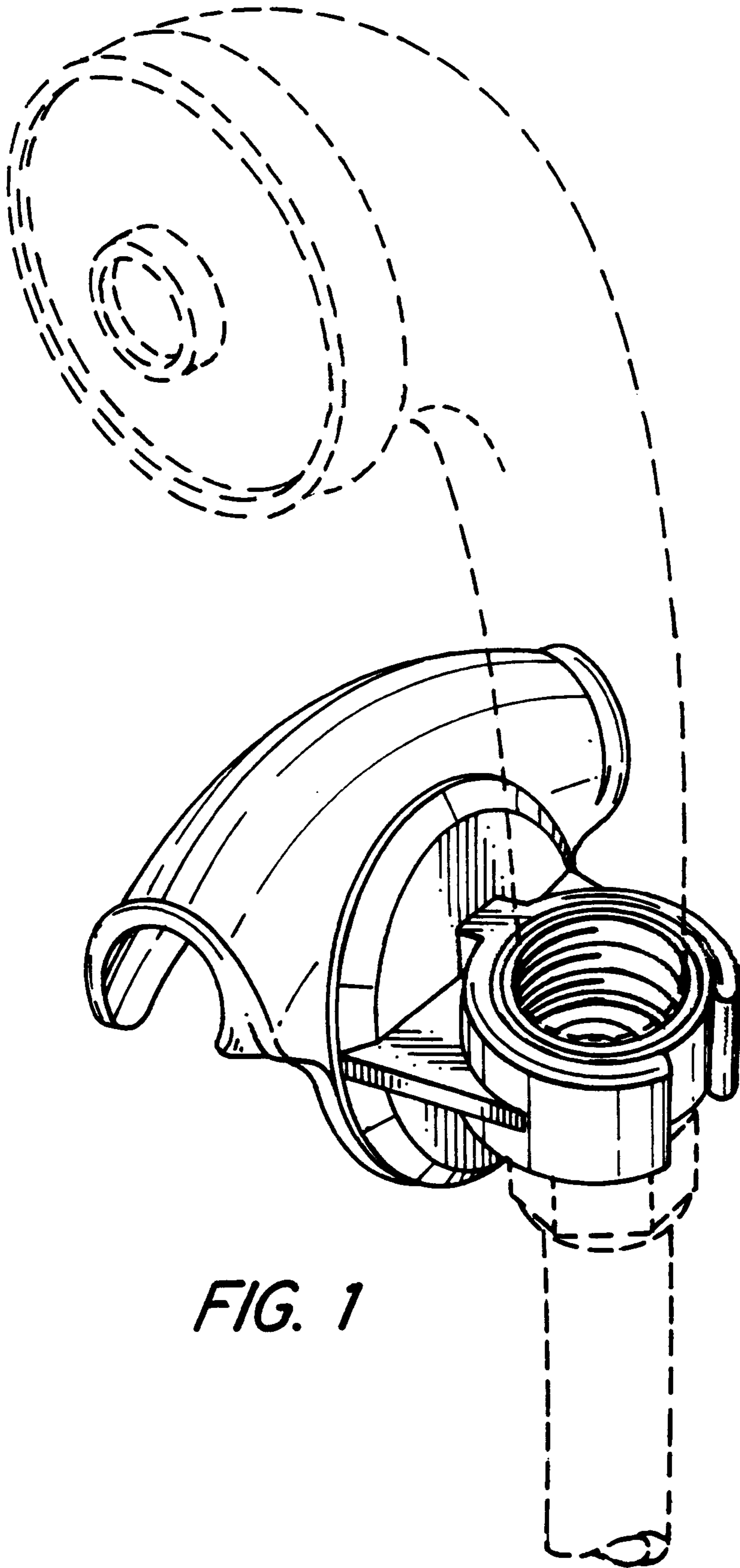
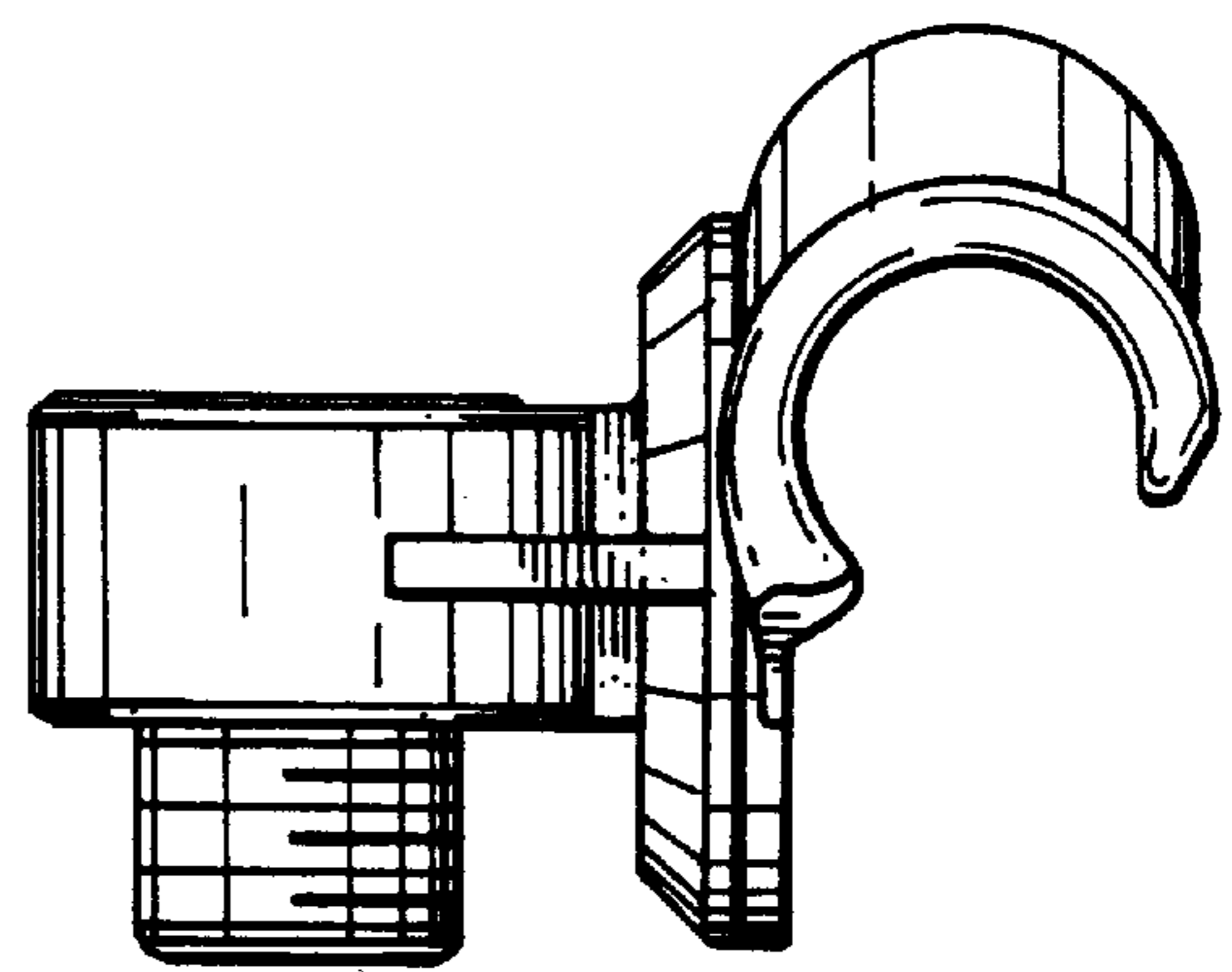
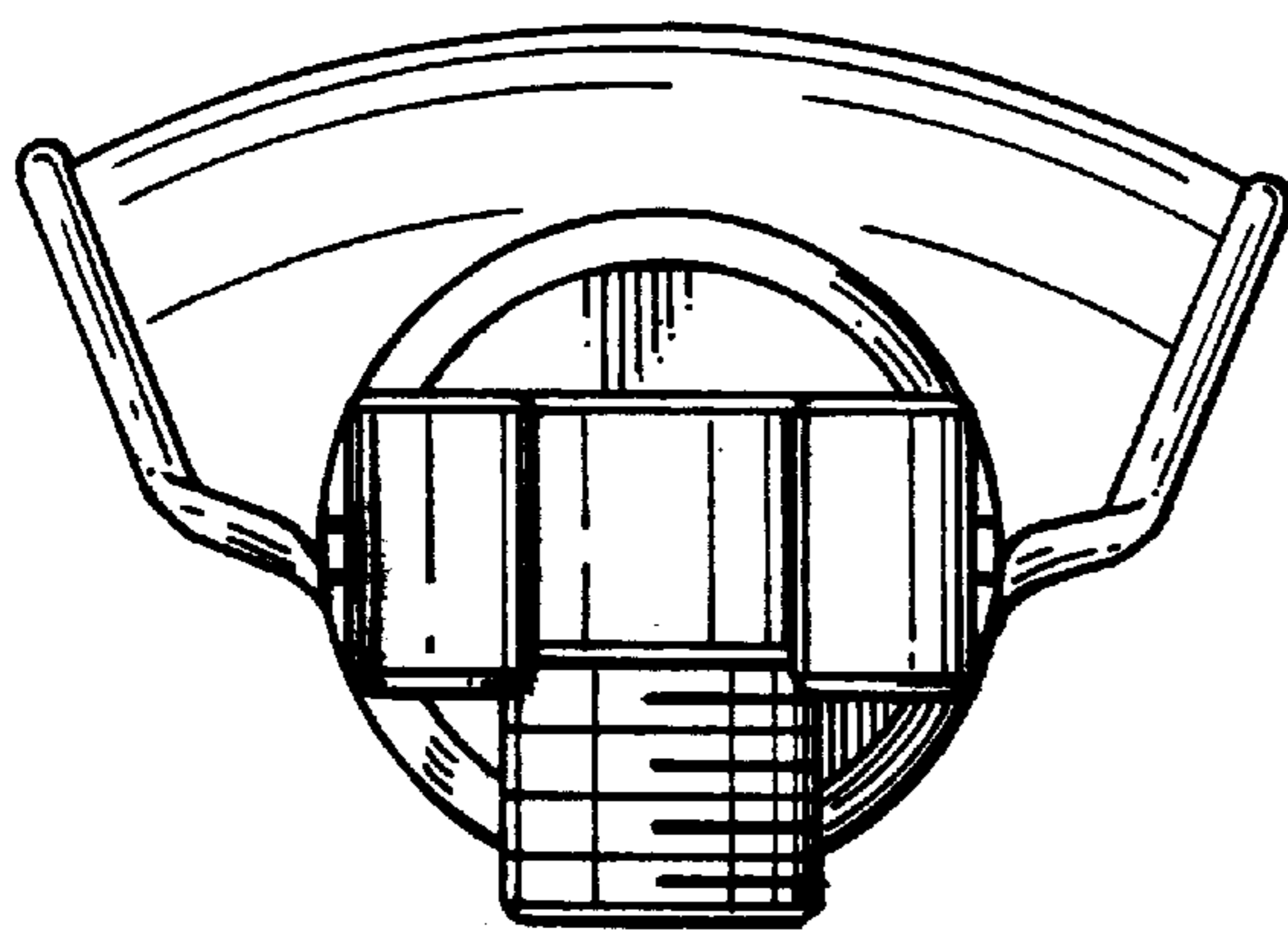
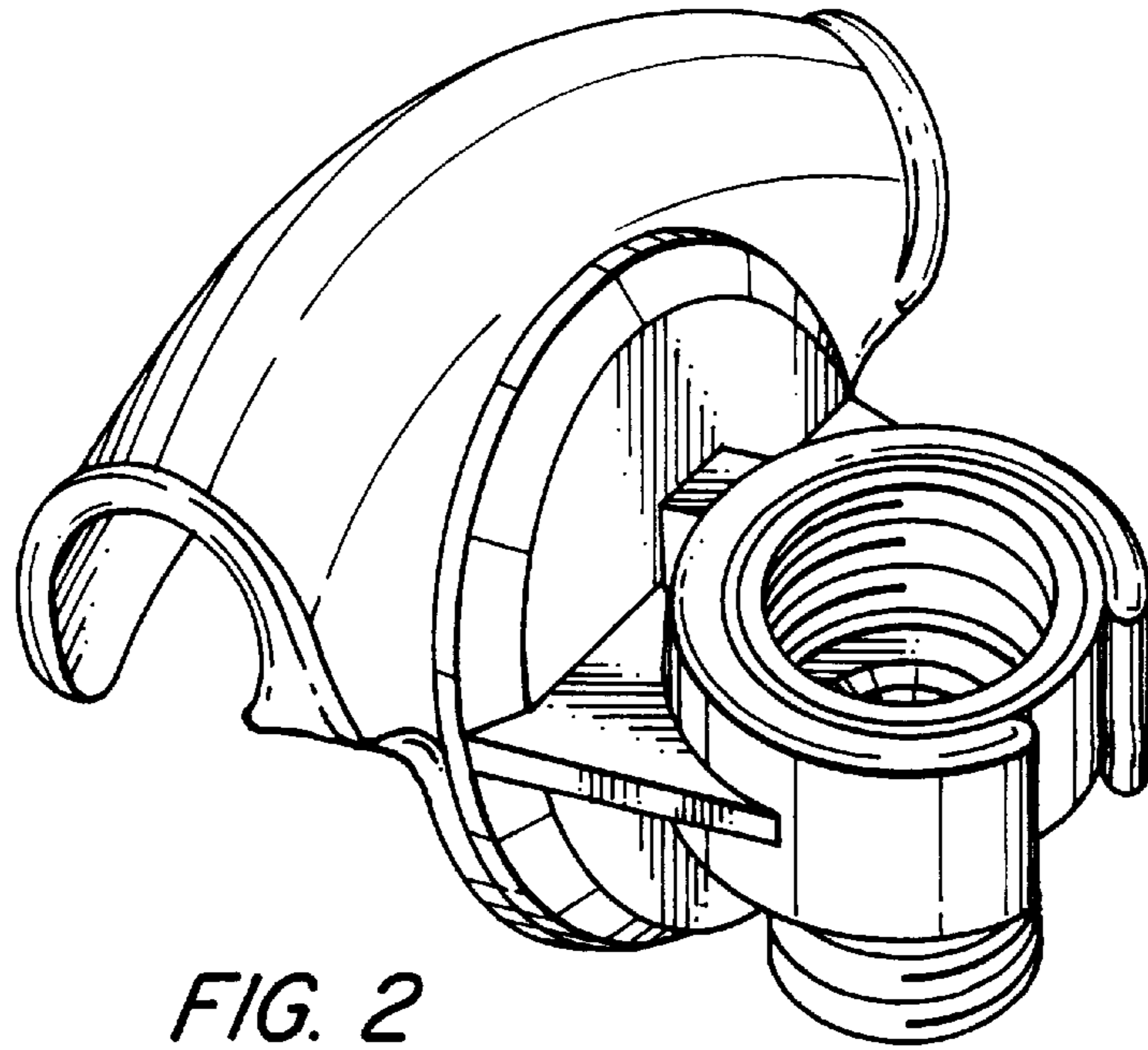


FIG. 1



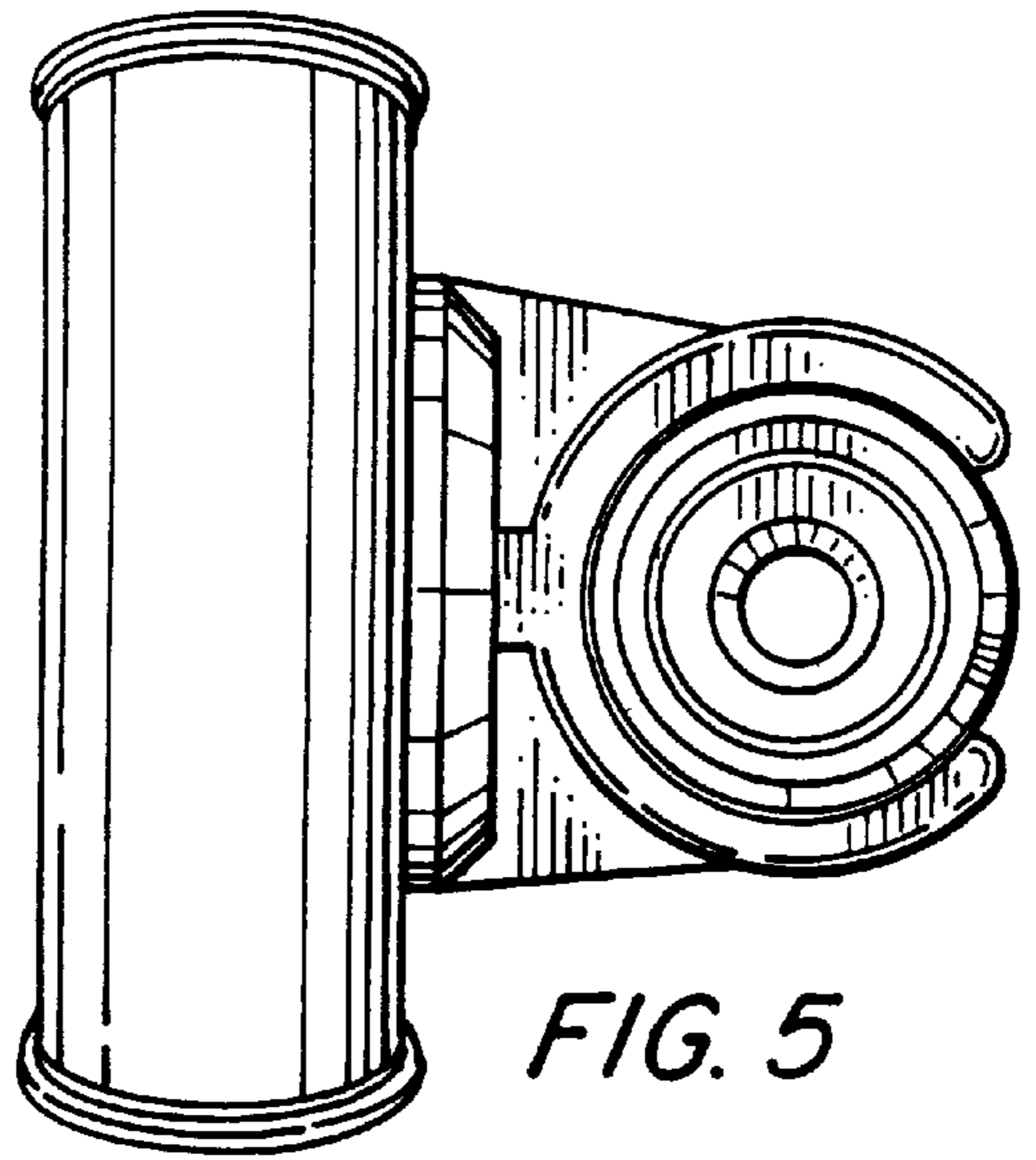


FIG. 5

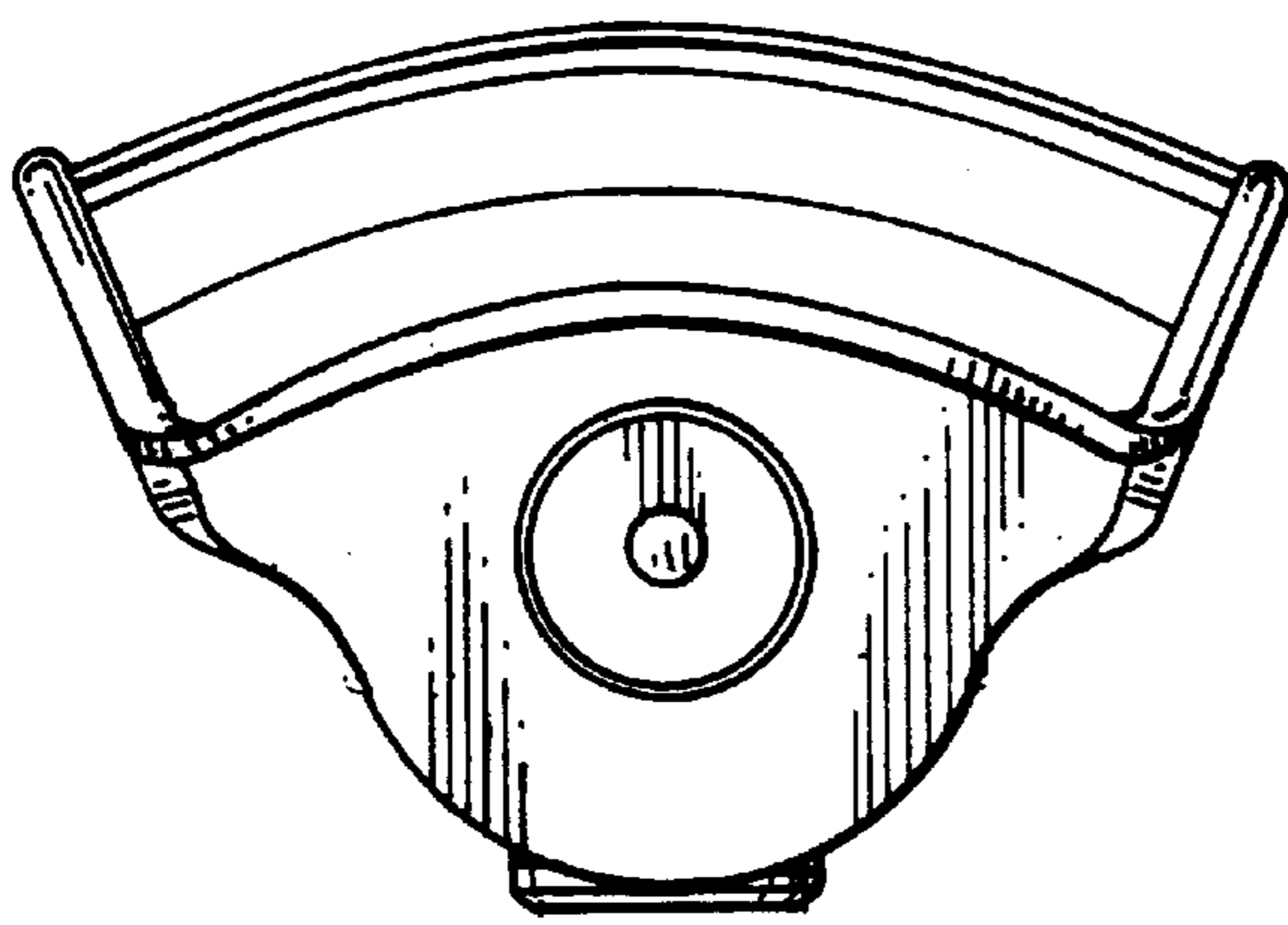


FIG. 6

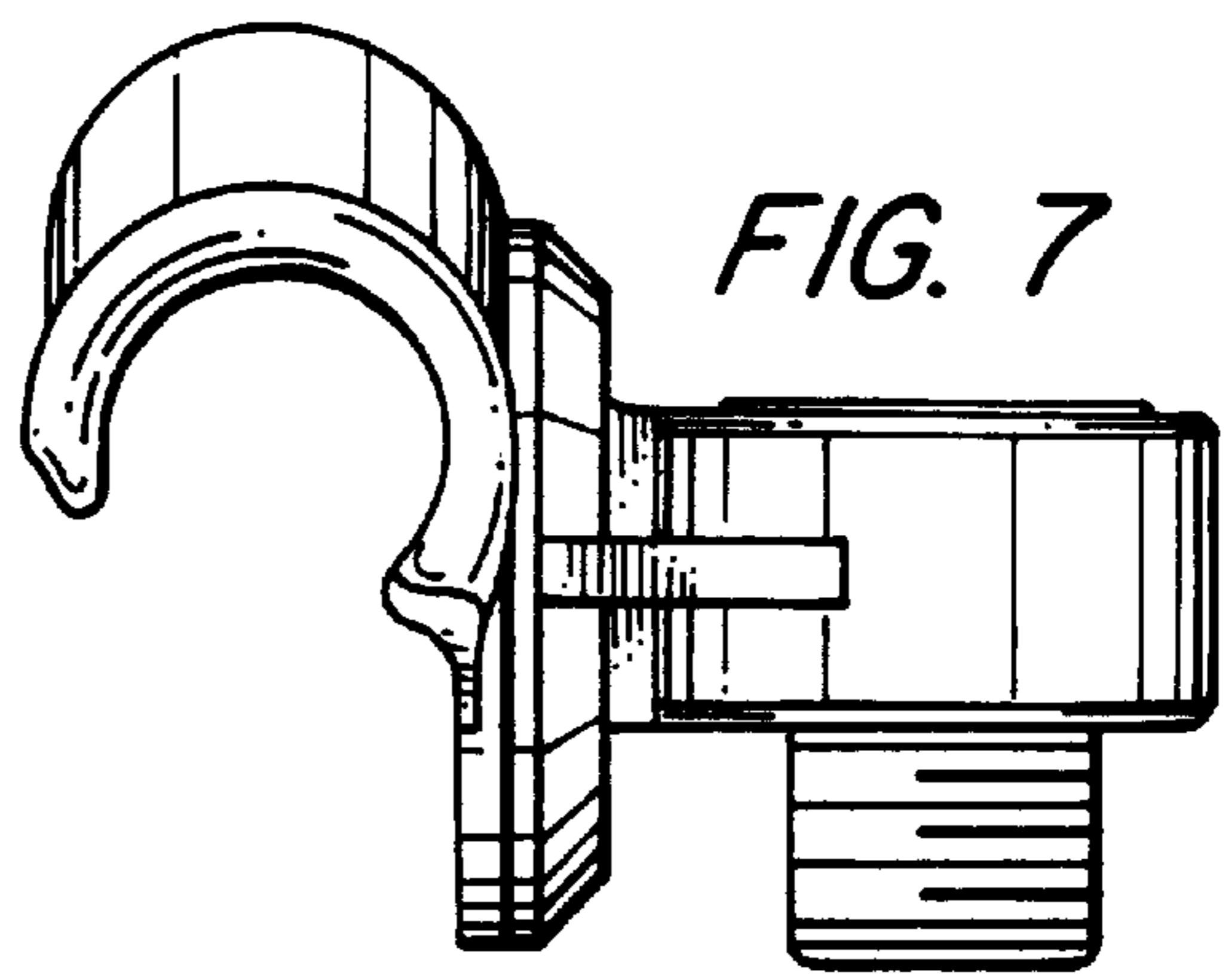


FIG. 7

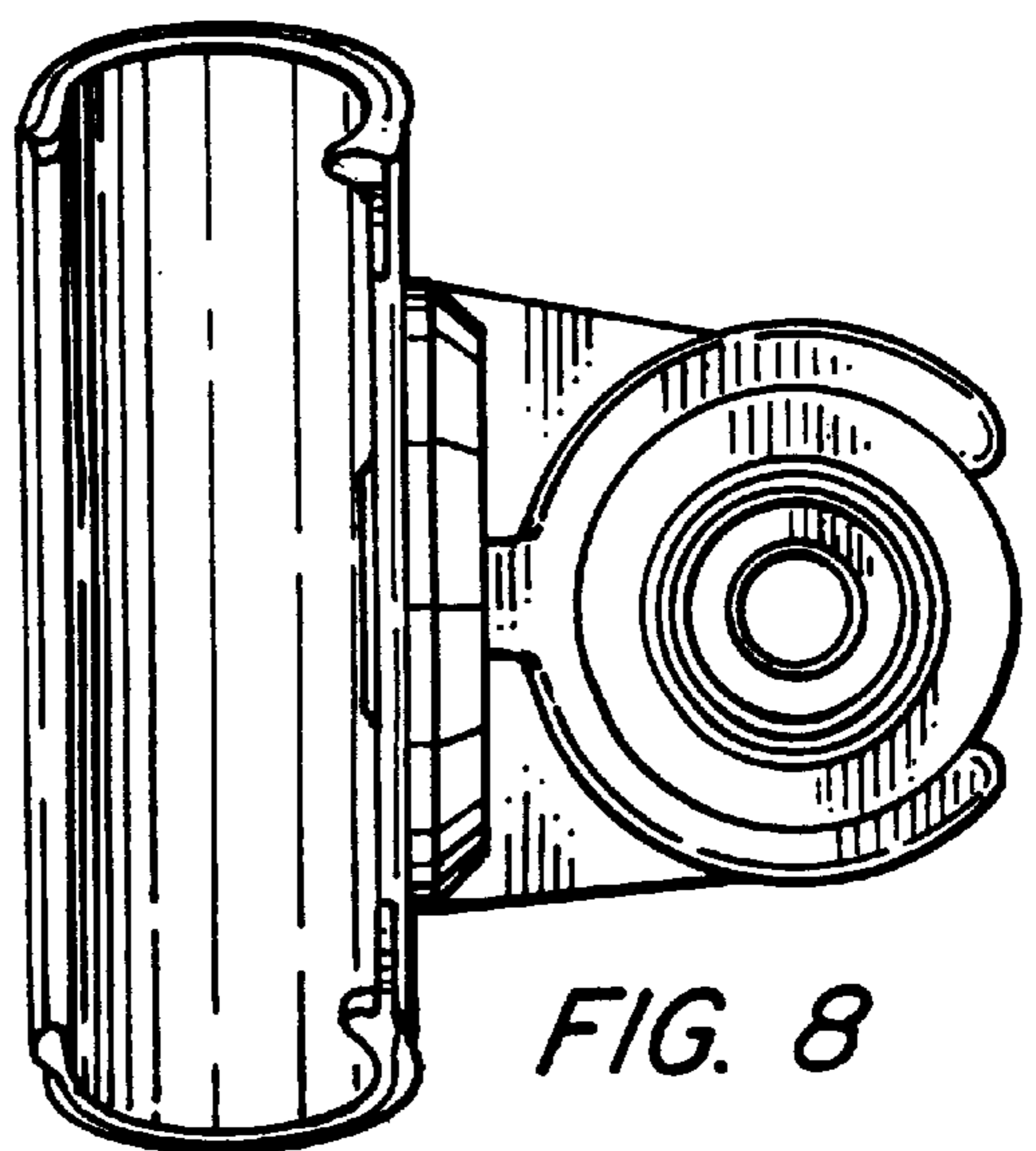


FIG. 8