



US00D448068B1

(12) **United States Design Patent**
Lord

(10) **Patent No.:** **US D448,068 S**

(45) **Date of Patent:** **** Sep. 18, 2001**

(54) **SHOWER ESCUTCHEON WITH HANDLE**

(75) Inventor: **Judd A. Lord**, Carmel, IN (US)

(73) Assignee: **Masco Corporation of Indiana**,
Indianapolis, IN (US)

(**) Term: **14 Years**

(21) Appl. No.: **29/136,750**

(22) Filed: **Feb. 7, 2001**

(51) **LOC (7) Cl.** **23-01**

(52) **U.S. Cl.** **D23/254**

(58) **Field of Search** D23/238-243,
D23/245, 249-257; D8/300-310, 350-354;
4/675-678; 16/110 R-121; 137/801

(56) **References Cited**

U.S. PATENT DOCUMENTS

D. 403,750	*	1/1999	Fabian	D23/254
D. 405,510	*	2/1999	Lord	D23/254
D. 427,290	*	6/2000	Milrud et al.	D23/254
D. 433,735	*	11/2000	Lord	D23/252

* cited by examiner

Primary Examiner—Louis S. Zarfaz

Assistant Examiner—Gregory Andoll

(74) *Attorney, Agent, or Firm*—Myron B. Kapustij; Lloyd D. Doigan

(57) **CLAIM**

The ornamental design for a shower escutcheon with handle, as shown and described.

DESCRIPTION

FIG. 1 is a front perspective view of the shower escutcheon with handle showing my new design;

FIG. 2 is a rear perspective view thereof;

FIG. 3 is a front elevational view thereof;

FIG. 4 is a right side elevational view thereof;

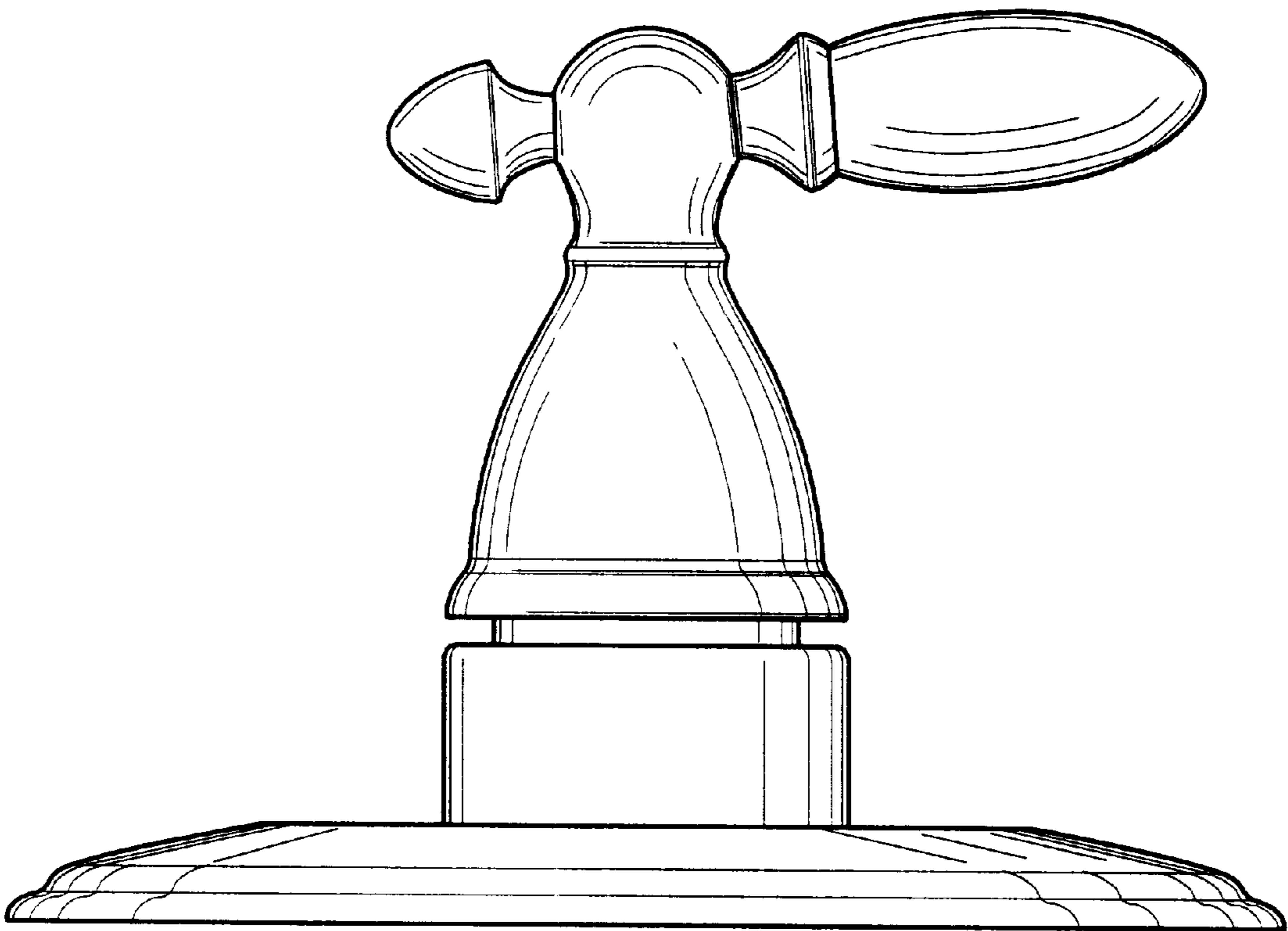
FIG. 5 is a bottom plan view thereof;

FIG. 6 is a left side elevational view thereof; and,

FIG. 7 is a top plan view thereof.

The broken line showing of the mounting screws and mounting apertures in FIGS. 1 and 3, and of the aperture in FIG. 2 are for purposes of illustration only and form no part of the claimed design.

1 Claim, 7 Drawing Sheets



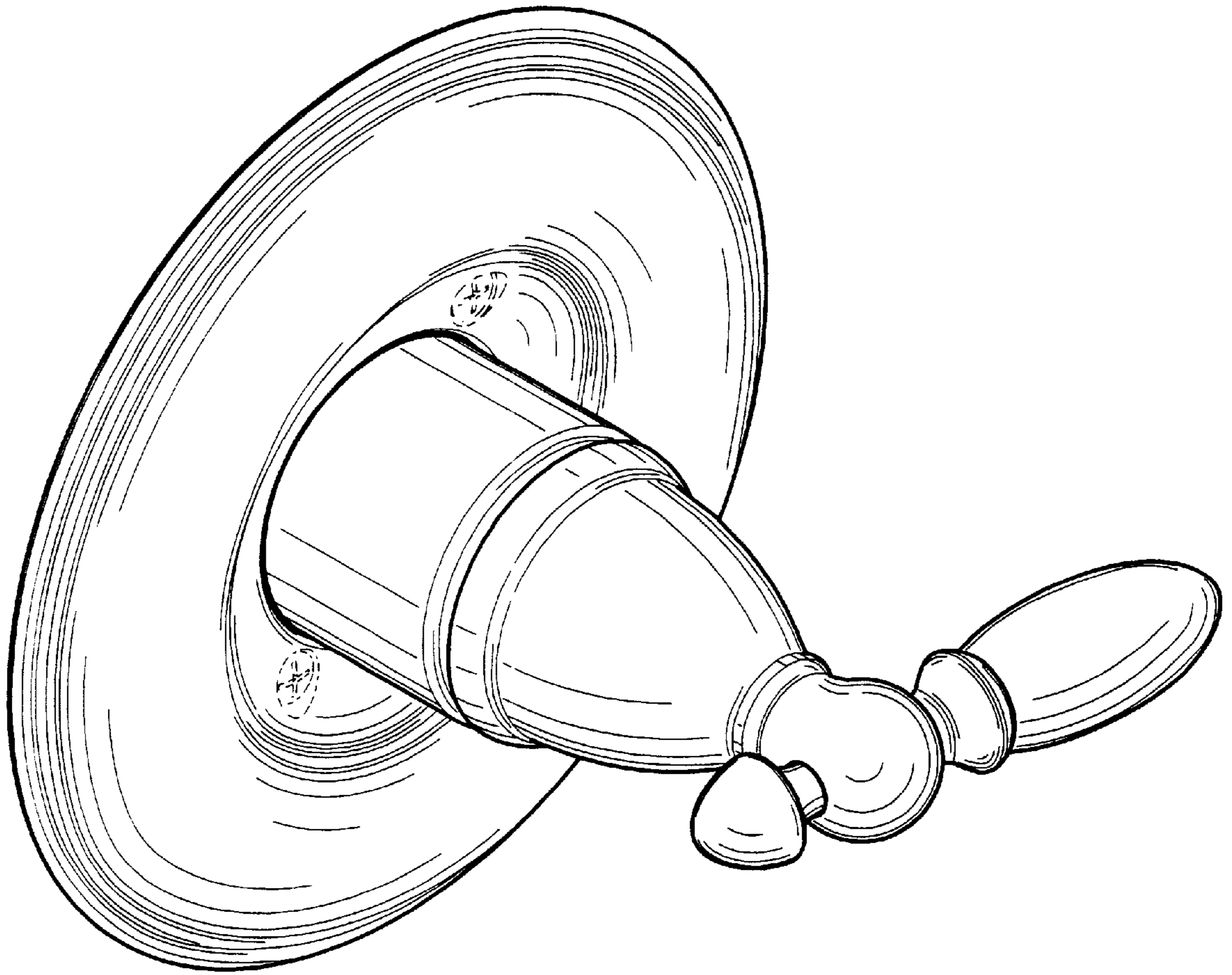


Figure - 1

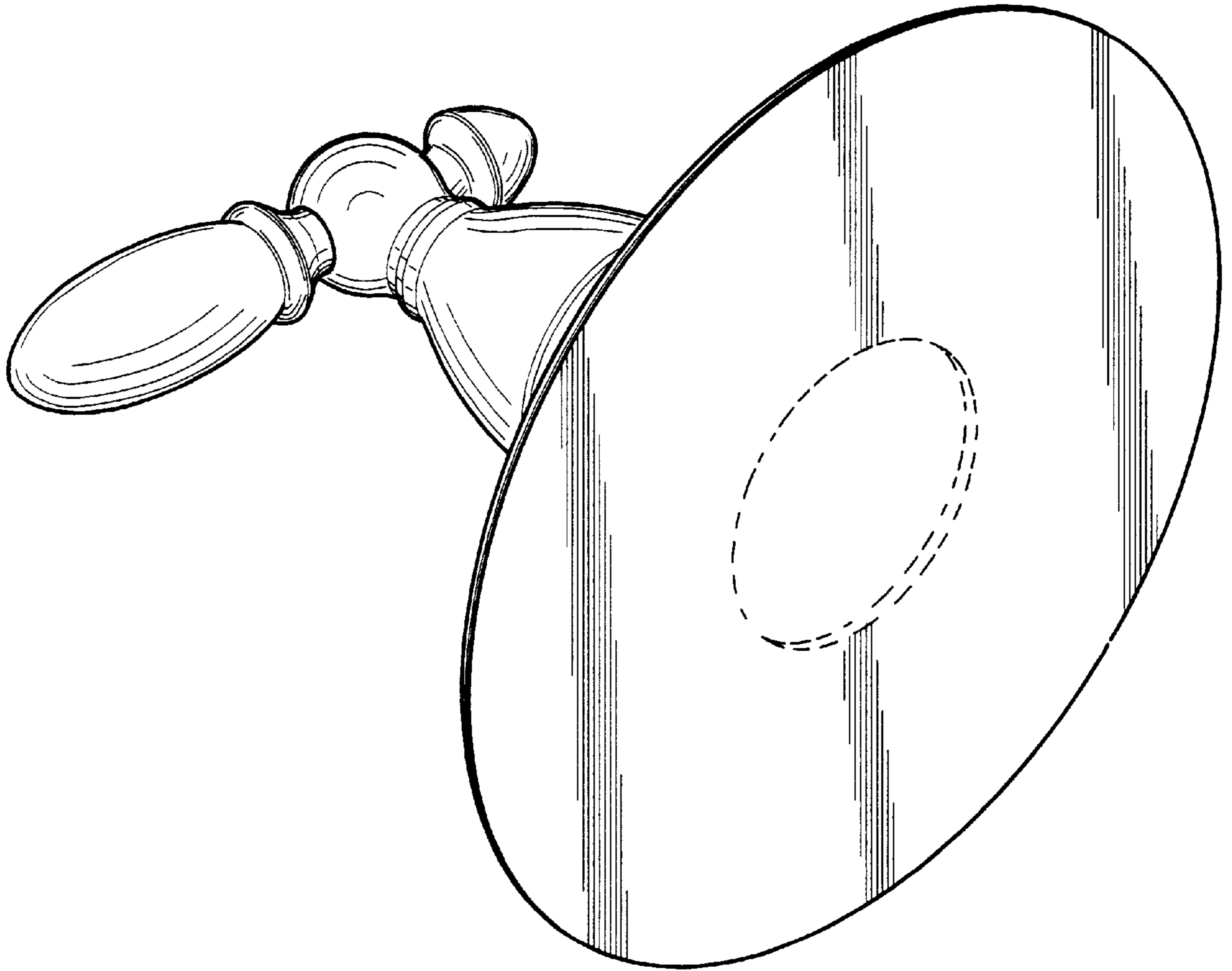


Figure - 2

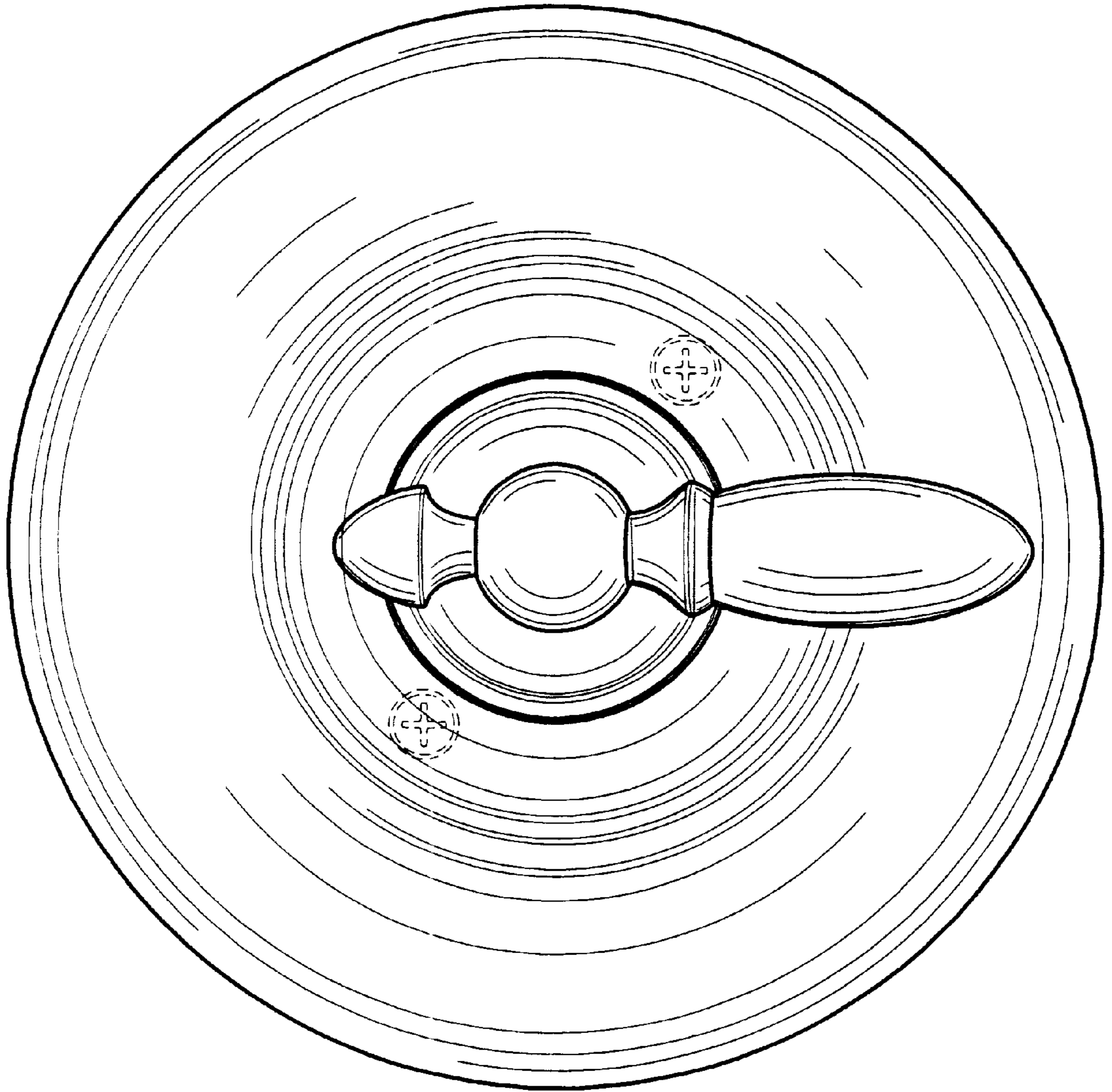


Figure - 3

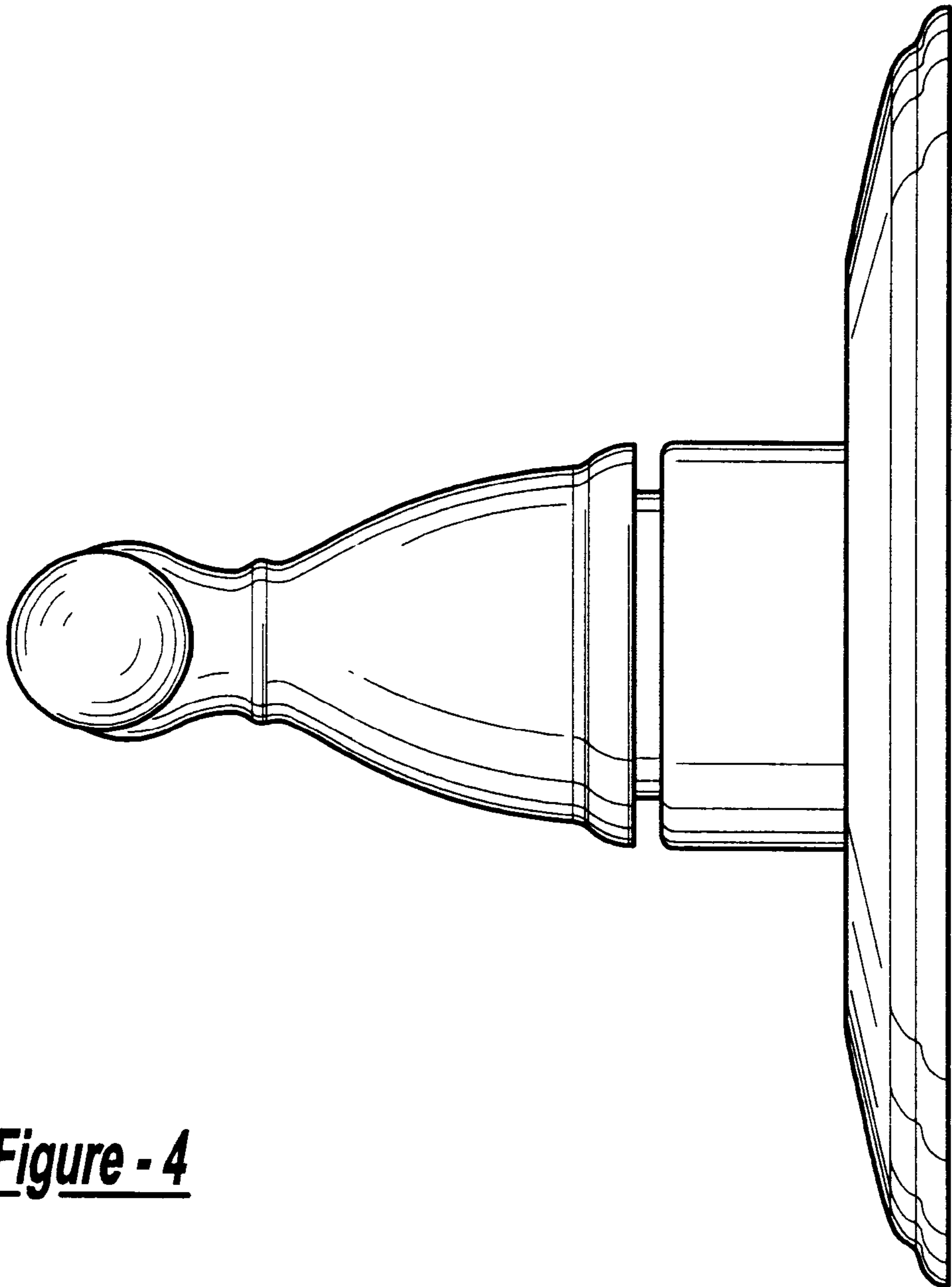


Figure - 4

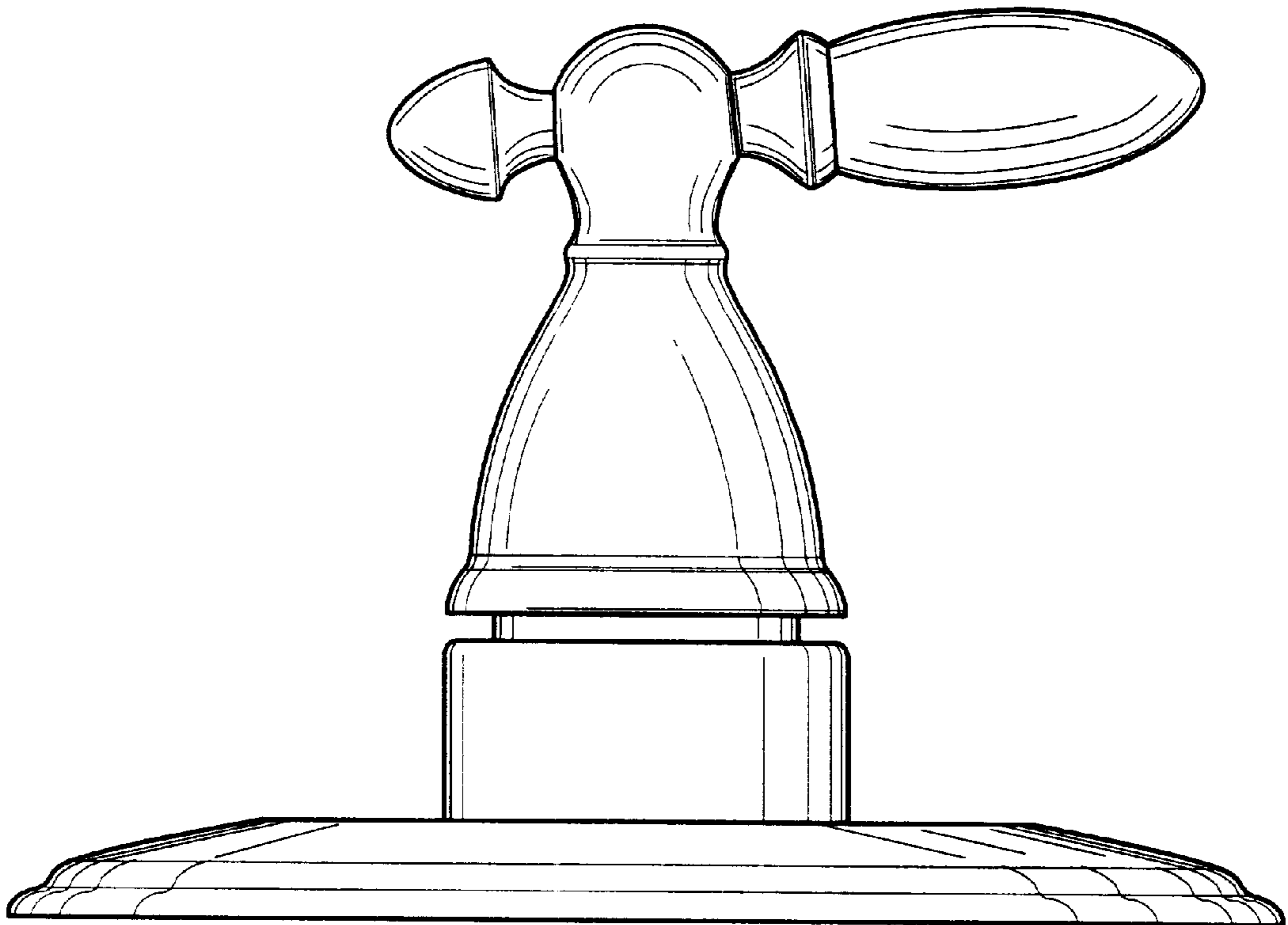


Figure - 5

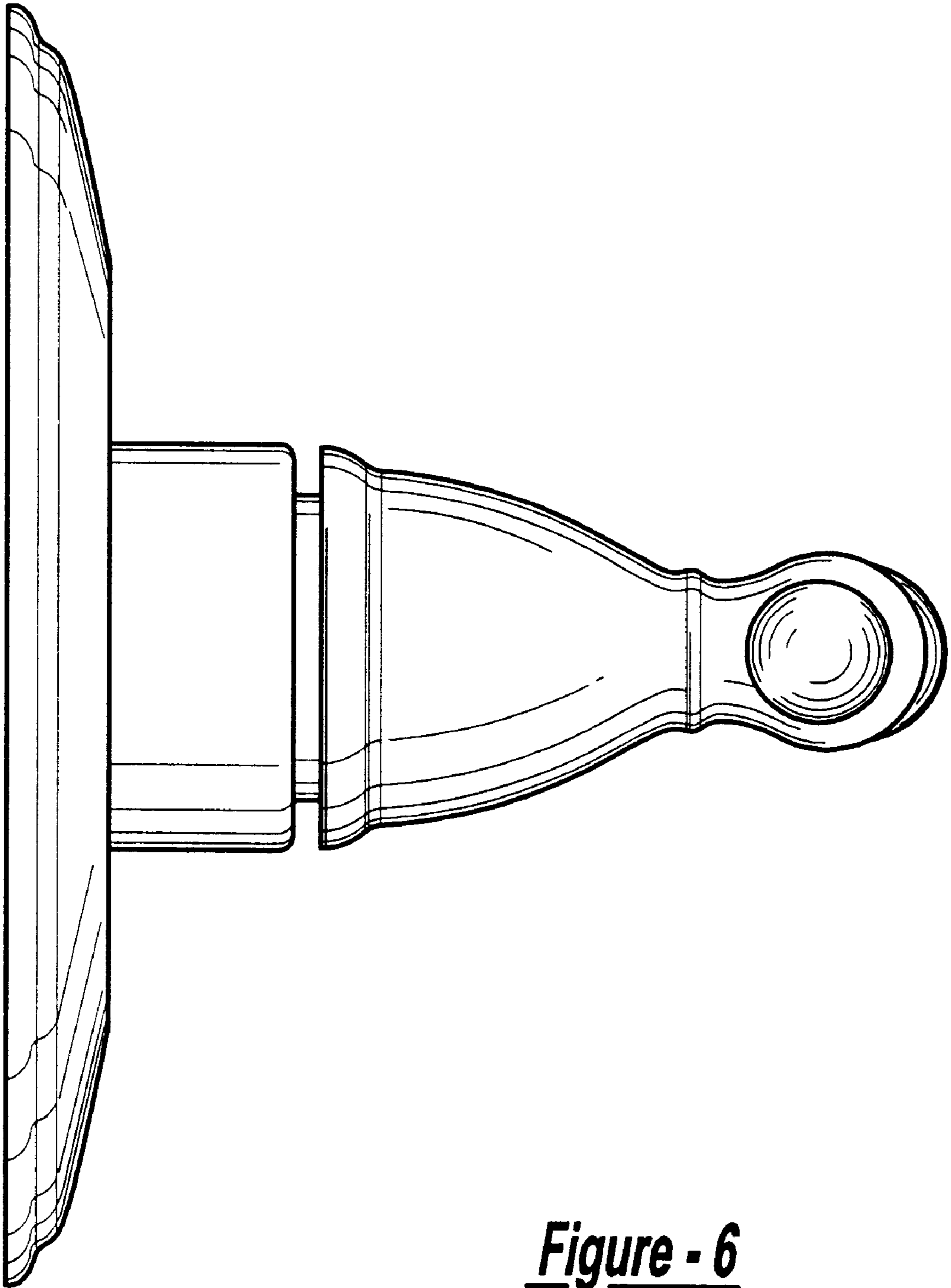


Figure - 6

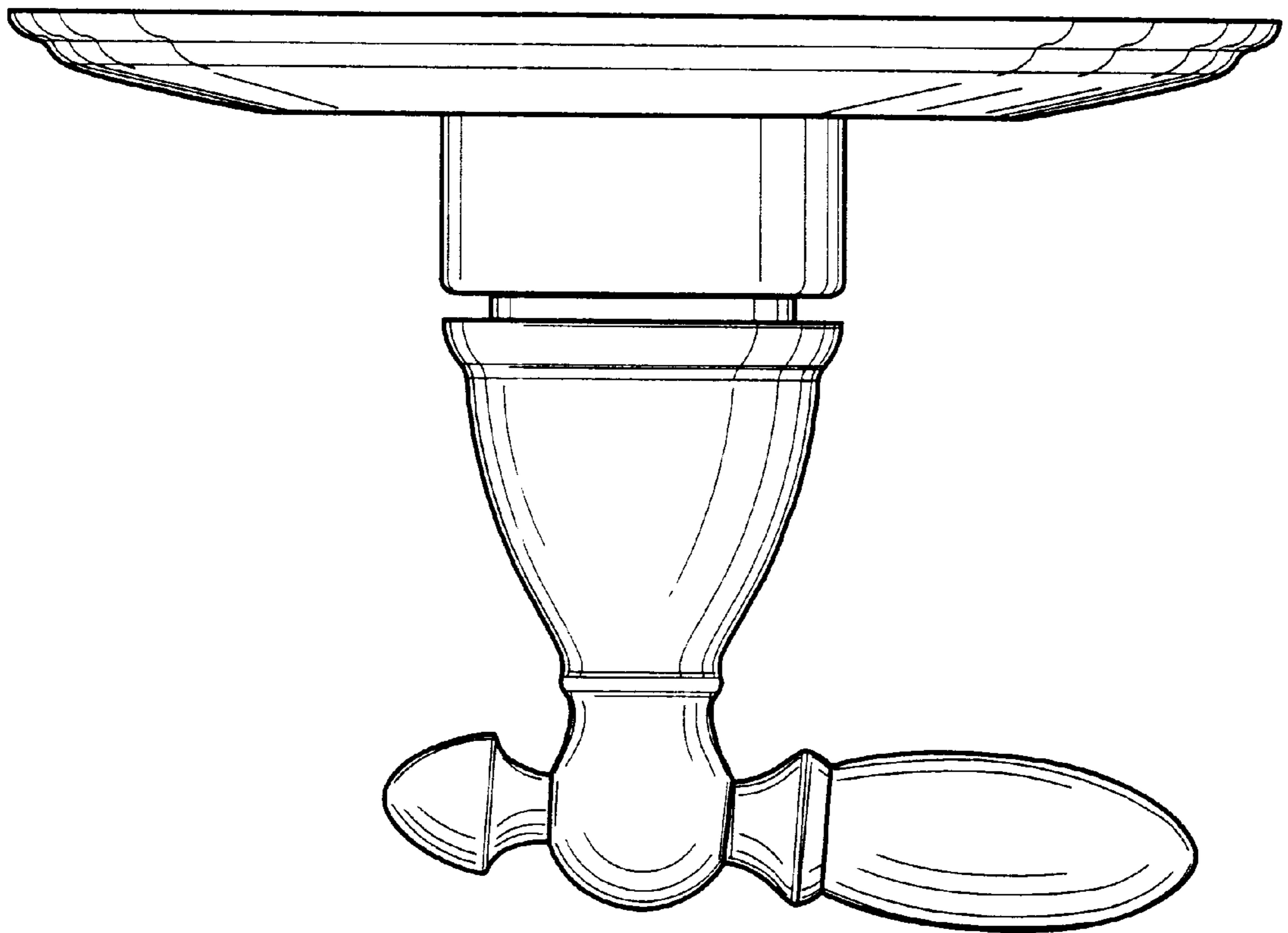


Figure - 7