



US00D448065B1

(12) **United States Design Patent**
Pitsch et al.

(10) **Patent No.:** **US D448,065 S**

(45) **Date of Patent:** **** Sep. 18, 2001**

(54) **DUAL HANDLE FAUCET**

(75) Inventors: **Walter Pitsch**, Franklin Park, NJ (US);
Ralf Donell, Morbach (DE)

(73) Assignee: **American Standard International Inc.**, New York, NY (US)

(**) Term: **14 Years**

(21) Appl. No.: **29/125,664**

(22) Filed: **Jun. 28, 2000**

(51) **LOC (7) Cl.** **23-01**

(52) **U.S. Cl.** **D23/241**

(58) **Field of Search** D23/238-243,
D23/245, 249-257; D8/300-310, 350-354;
4/675-678; 16/110 R-121; 137/801

(56) **References Cited**

U.S. PATENT DOCUMENTS

D. 376,414 * 12/1996 Doughty et al. D23/241

D. 382,630 * 8/1997 Doughty et al. D23/241

D. 393,695 * 4/1998 Ku D23/242

D. 405,160 * 2/1999 Lord D23/241

* cited by examiner

Primary Examiner—Louis S. Zarfes

Assistant Examiner—Gregory Andoll

(57) **CLAIM**

The ornamental design for a dual handle faucet, as shown and described.

DESCRIPTION

FIG. 1 is a perspective view of a dual handle faucet showing my new design;

FIG. 2 is a left side elevational view thereof, the right side view being a mirror image of the left side;

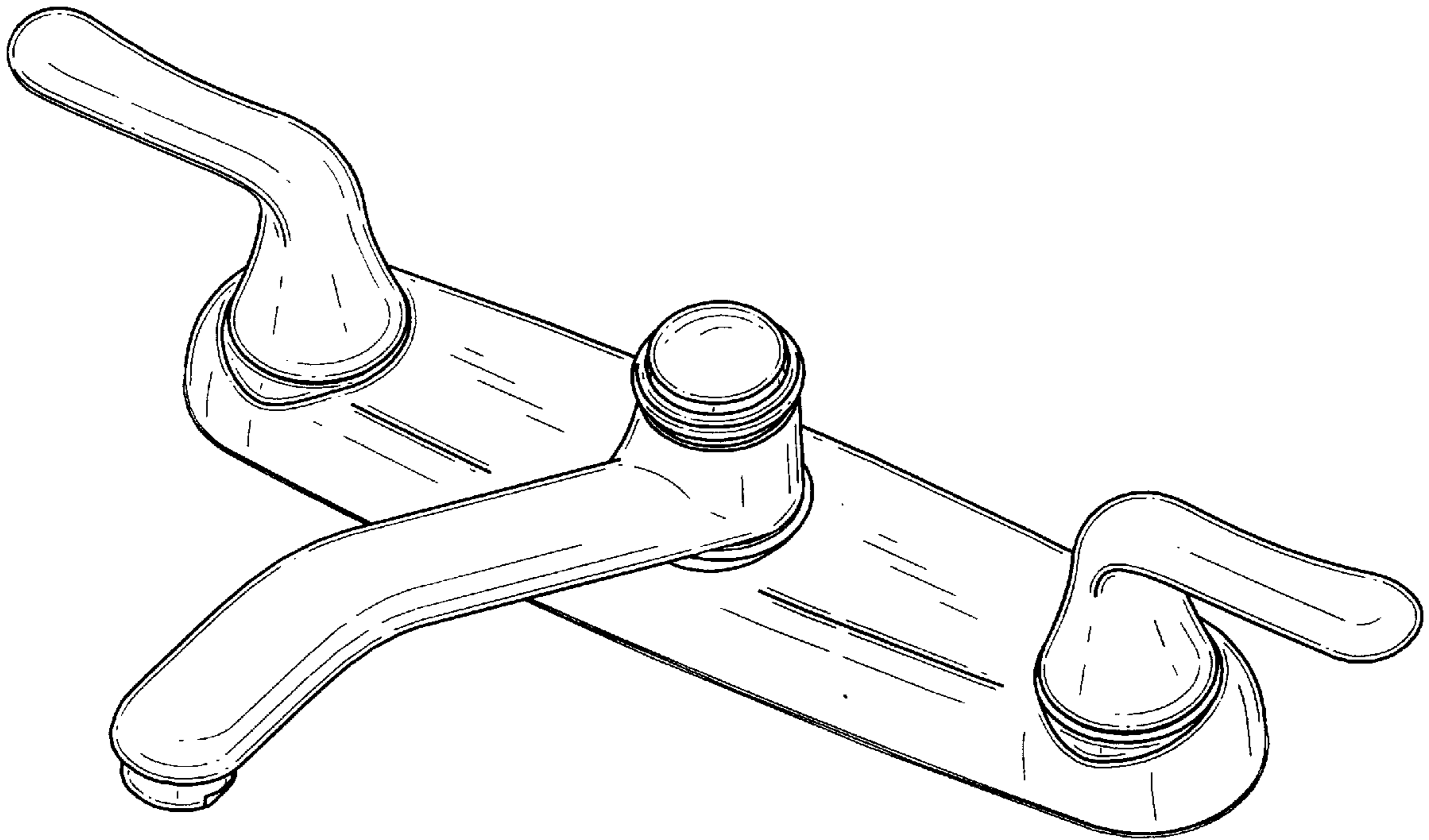
FIG. 3 is a front elevational view thereof;

FIG. 4 is a rear elevational view thereof;

FIG. 5 is a top plan view thereof; and,

FIG. 6 is a bottom plan view thereof.

1 Claim, 6 Drawing Sheets



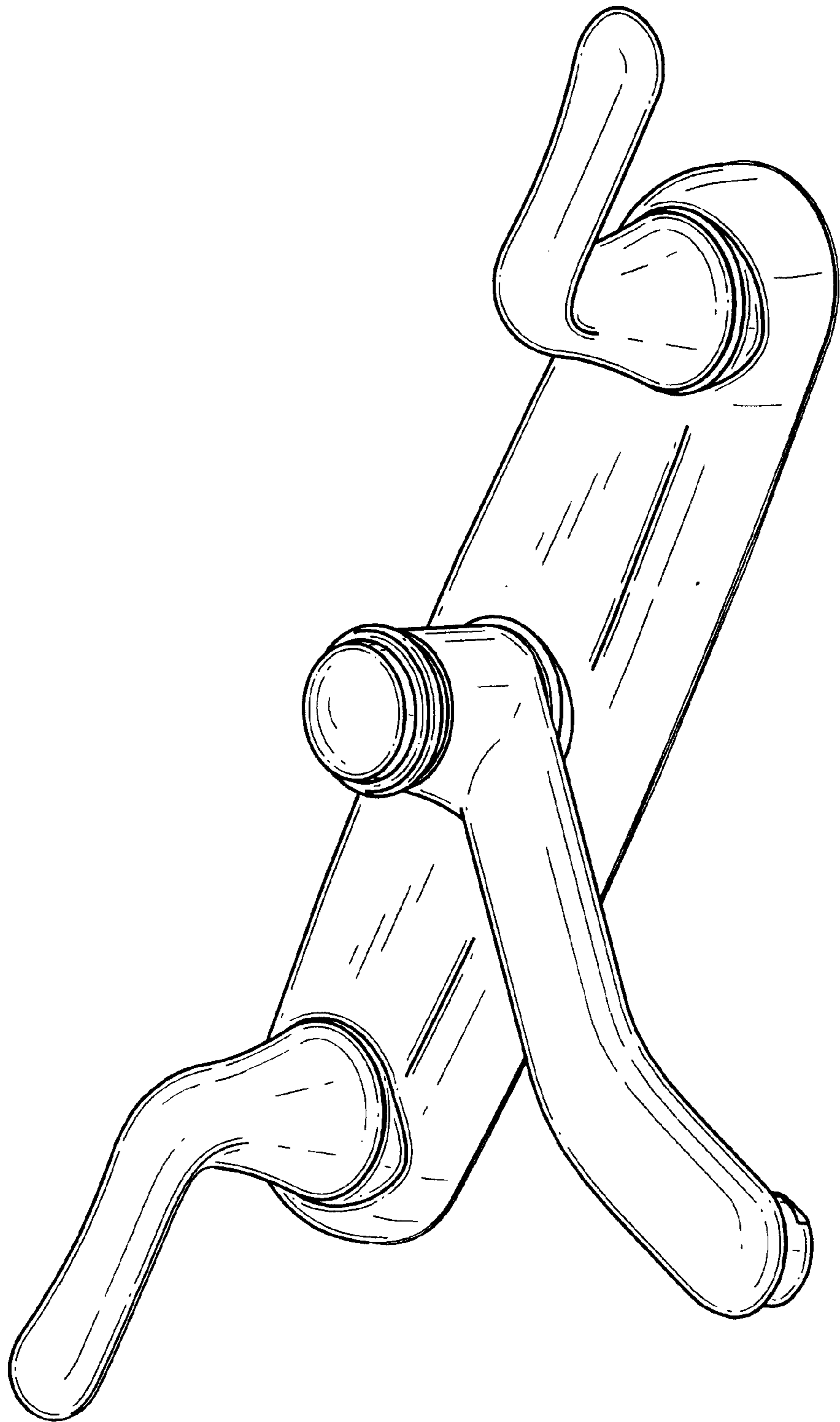


FIG. 1

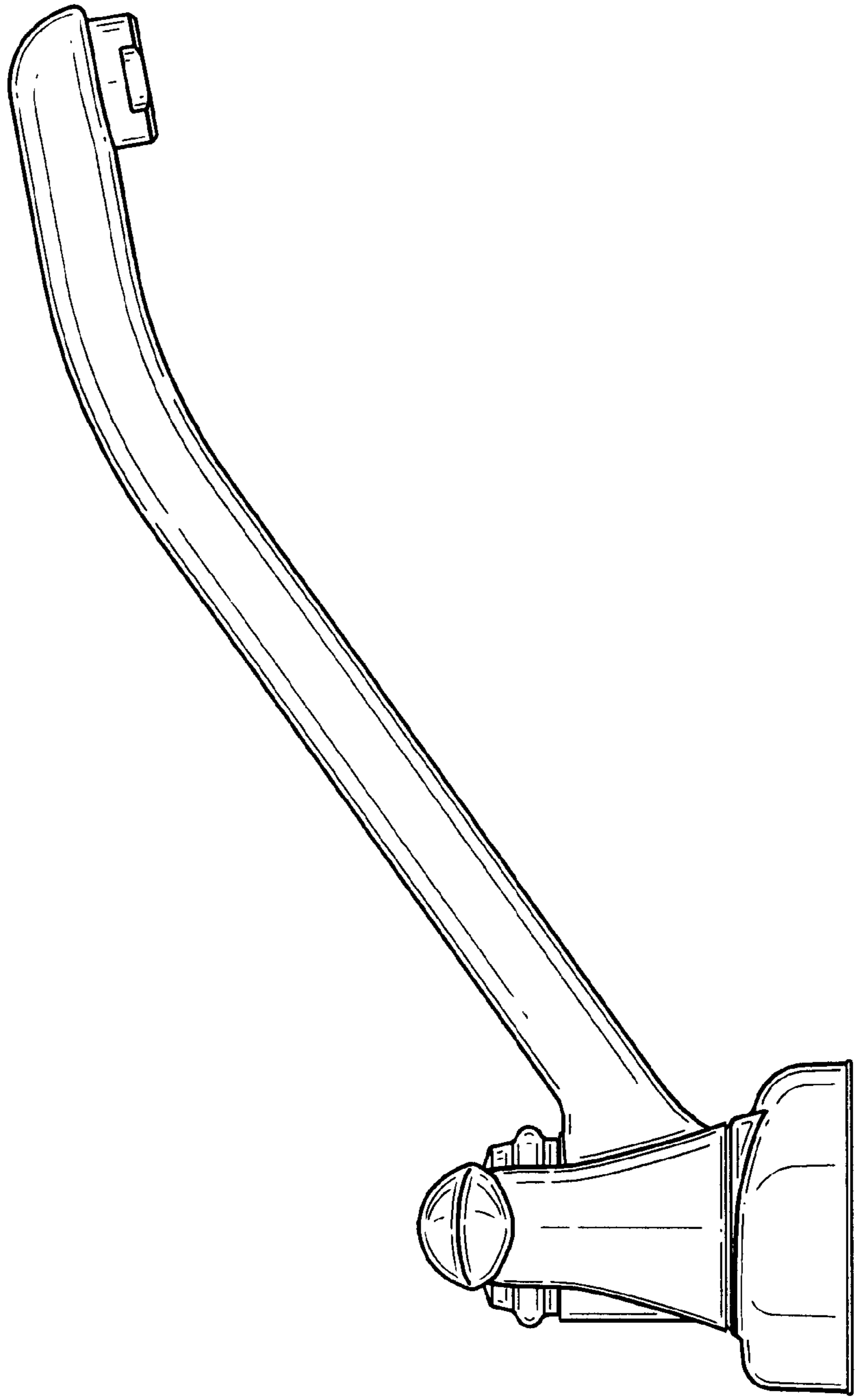


FIG. 2

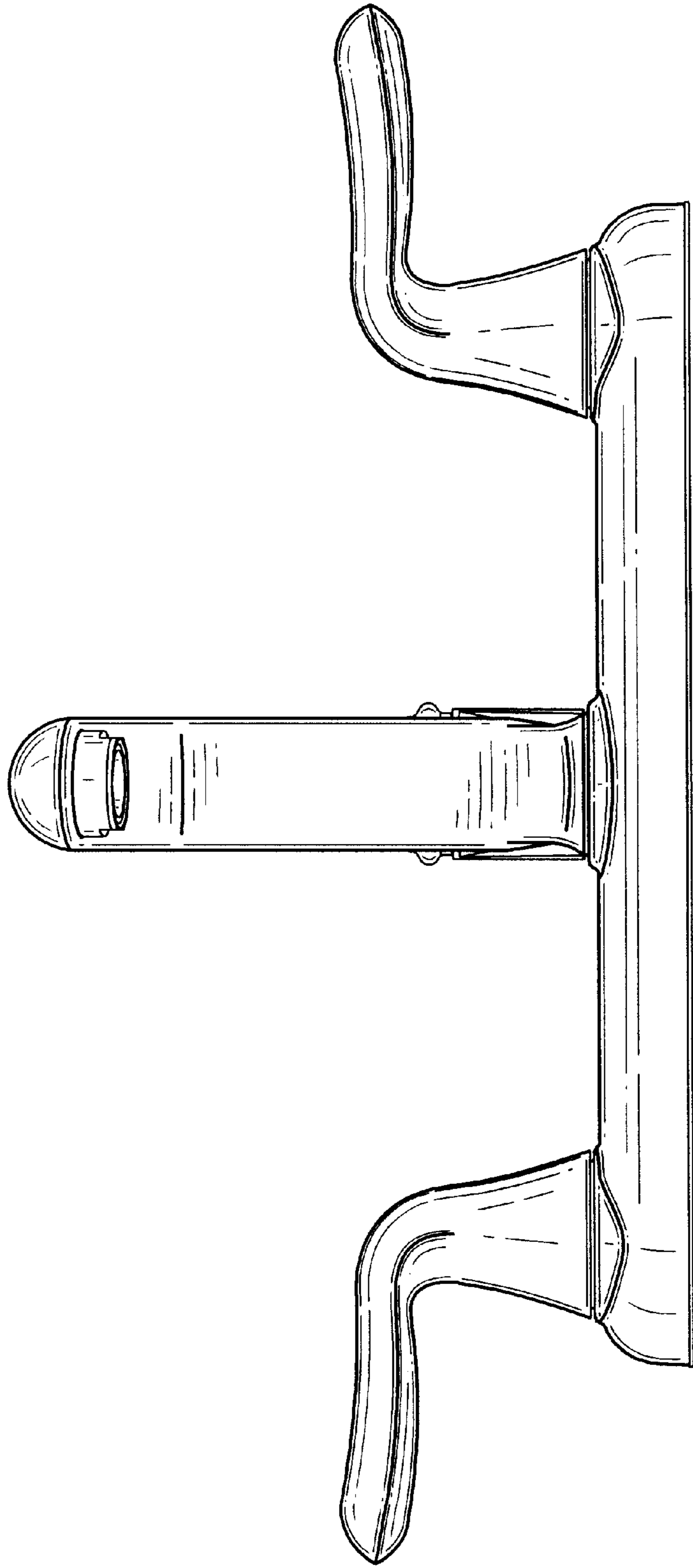


FIG. 3

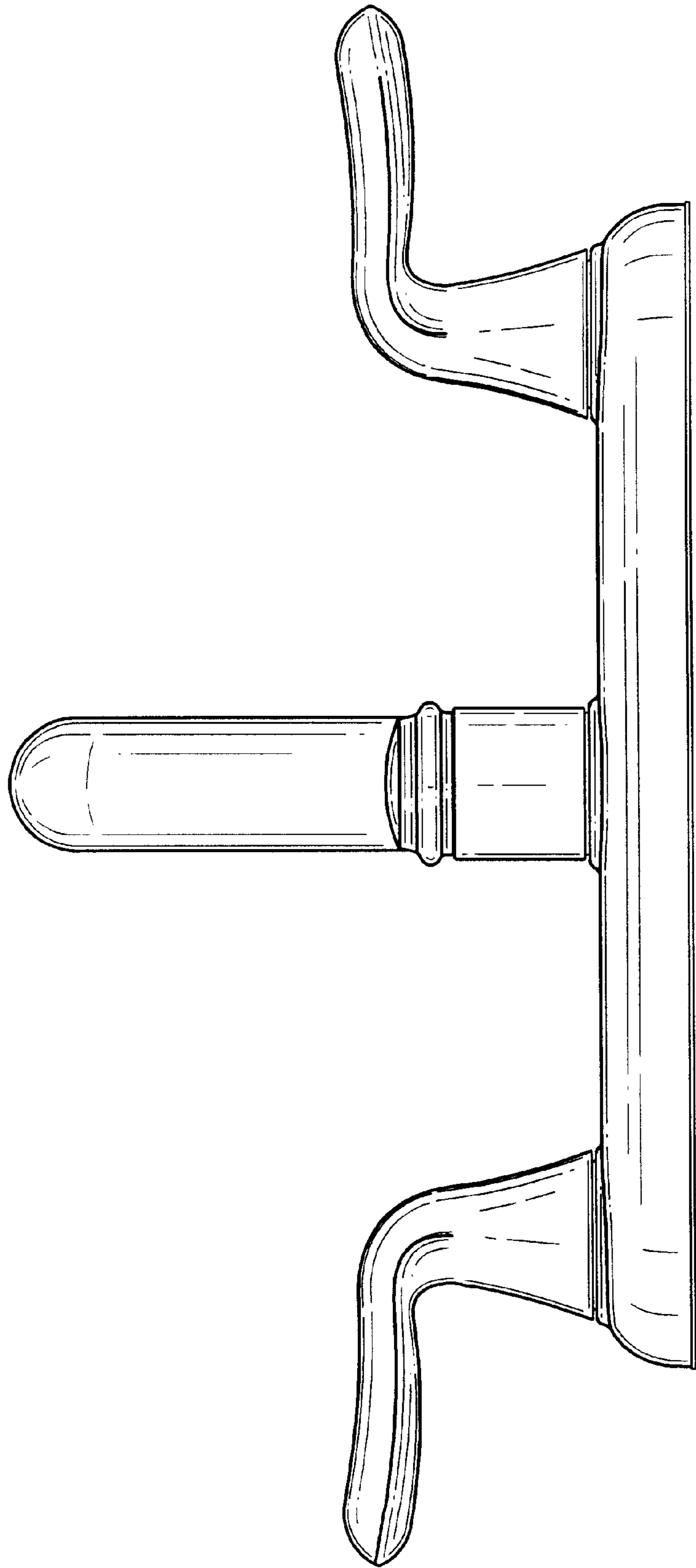


FIG. 4

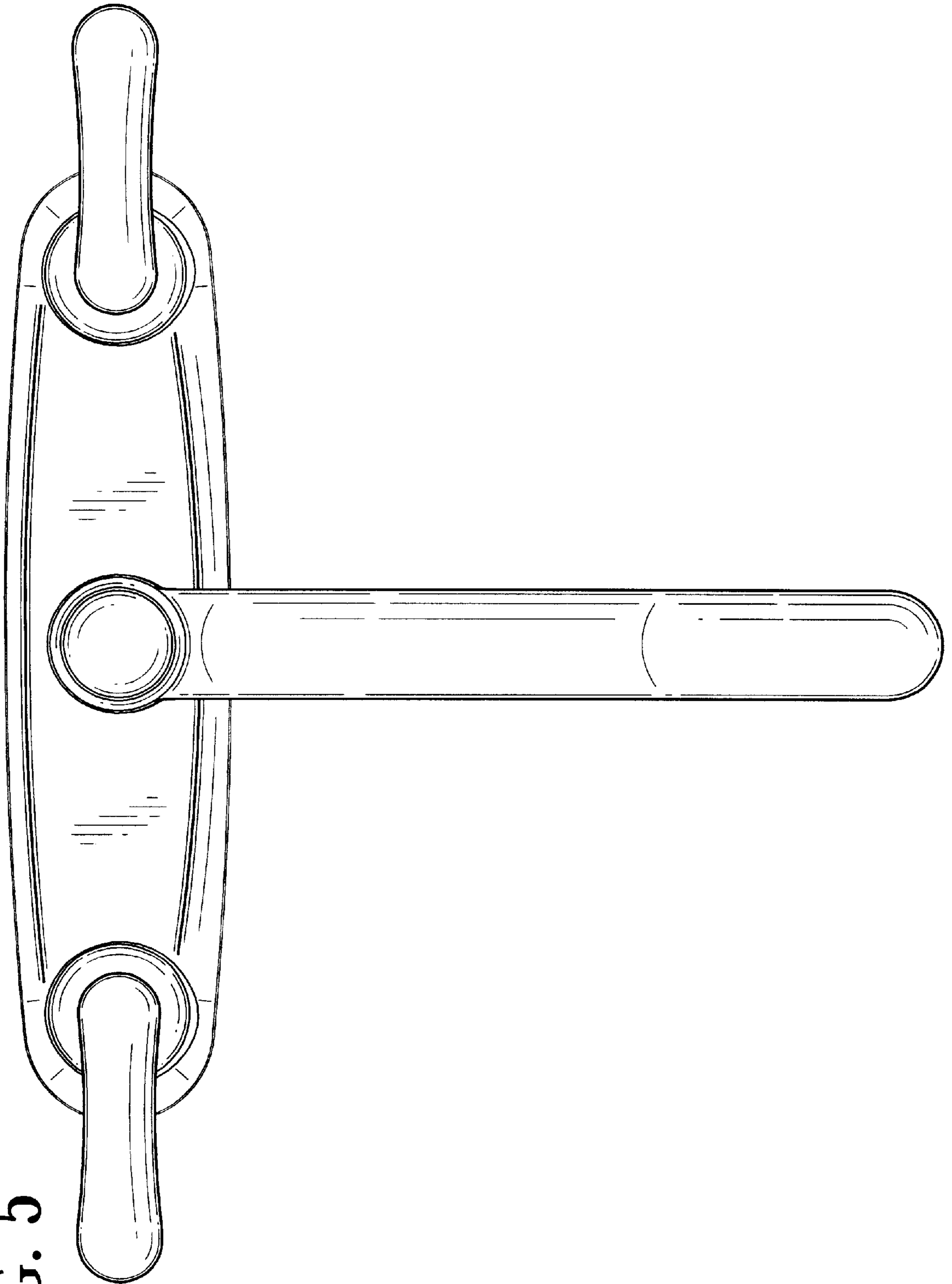


FIG. 5

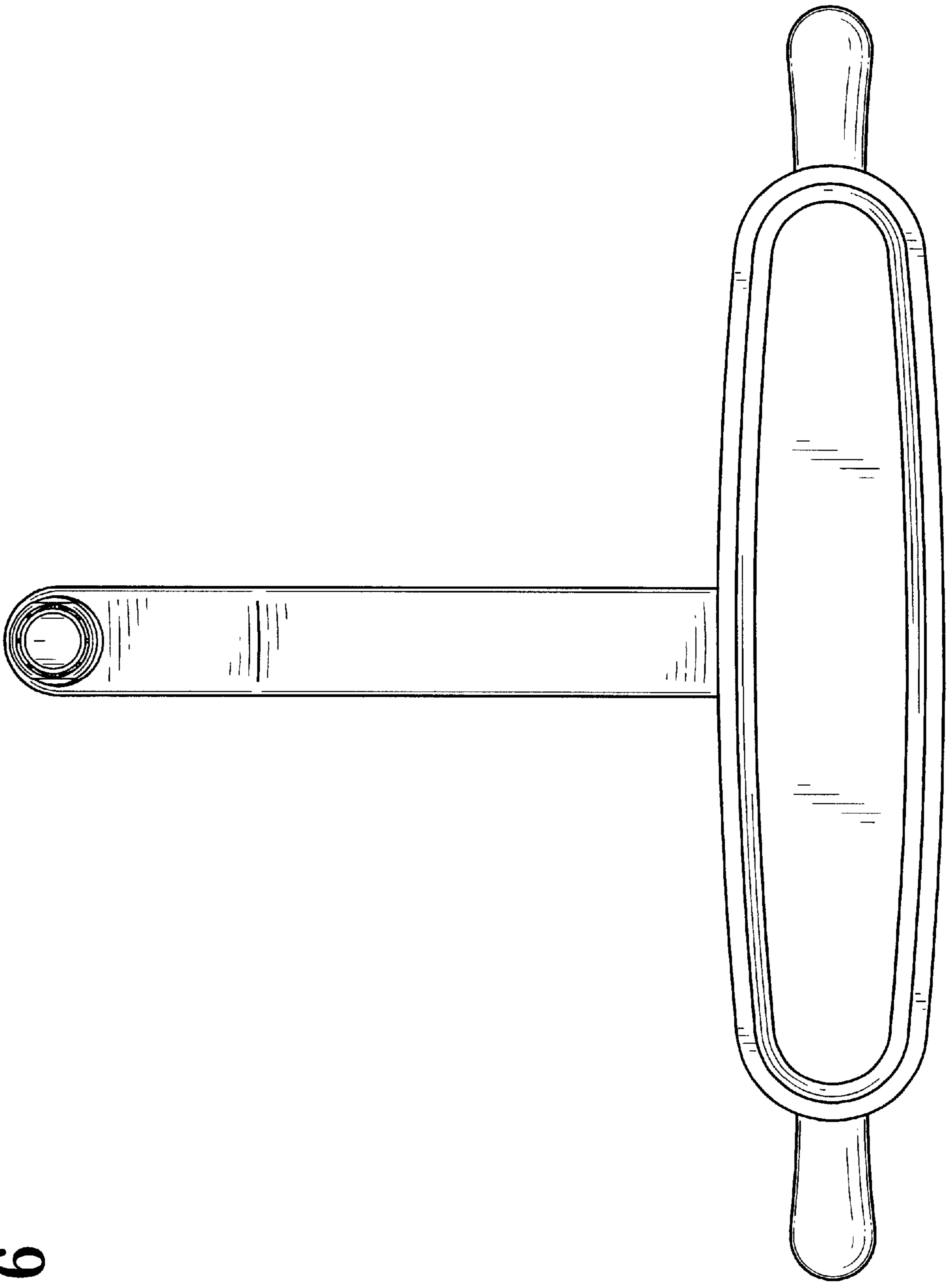


FIG. 6