



US00D448062B1

(12) **United States Design Patent**
Criddle et al.

(10) **Patent No.:** **US D448,062 S**

(45) **Date of Patent:** **** Sep. 18, 2001**

(54) **TELESCOPE MOUNTING RECEIVER FOR FIREARMS**

(74) *Attorney, Agent, or Firm*—James L. Jackson; Mayor, Day, Caldwell & Keeton, LLP

(76) Inventors: **Roger D. Criddle**, 1965 CR 110, Georgetown, TX (US) 78626; **Charles Watson**, 9712 Moorberry St., Austin, TX (US) 78729

(57) **CLAIM**

The ornamental design for a telescope mounting receiver for firearms, as shown and described.

(**) Term: **14 Years**

DESCRIPTION

(21) Appl. No.: **29/135,783**

FIG. 1 is an isometric illustration of the telescope mounting receiver for firearms of our ornamental design, showing bottom, side and one end the design;

(22) Filed: **Jan. 17, 2001**

FIG. 2 is another isometric illustration of the telescope mounting receiver for firearms of our ornamental design, showing top, opposite side and opposite end of the design as compared with FIG. 1.

(51) **LOC (7) Cl.** **22-01**

(52) **U.S. Cl.** **D22/110**

(58) **Field of Search** D22/100, 108, D22/109, 110, 199; 33/245–250; 42/100–103

FIG. 3 is a side elevational view of the telescope mounting receiver for firearms of our ornamental design;

(56) **References Cited**

U.S. PATENT DOCUMENTS

D. 435,885	*	1/2001	Wallace	D22/110
5,134,798	*	8/1992	Lee	42/101 X
5,208,989	*	5/1993	Sanders	33/246 X
5,343,650	*	9/1994	Swan	42/100
5,533,292	*	7/1996	Swan	42/100
5,590,484	*	1/1997	Mooney et al.	42/101 X
5,941,489	*	8/1999	Fanelli et al.	33/245 X

FIG. 4 is a side elevational view of the telescope mounting receiver for firearms of our ornamental design, showing the opposite side elevational view as compared to that shown in FIG. 3;

* cited by examiner

FIG. 5 is a top plan view of the telescope mounting receiver for firearms of the design;

Primary Examiner—Louis S. Zarfes

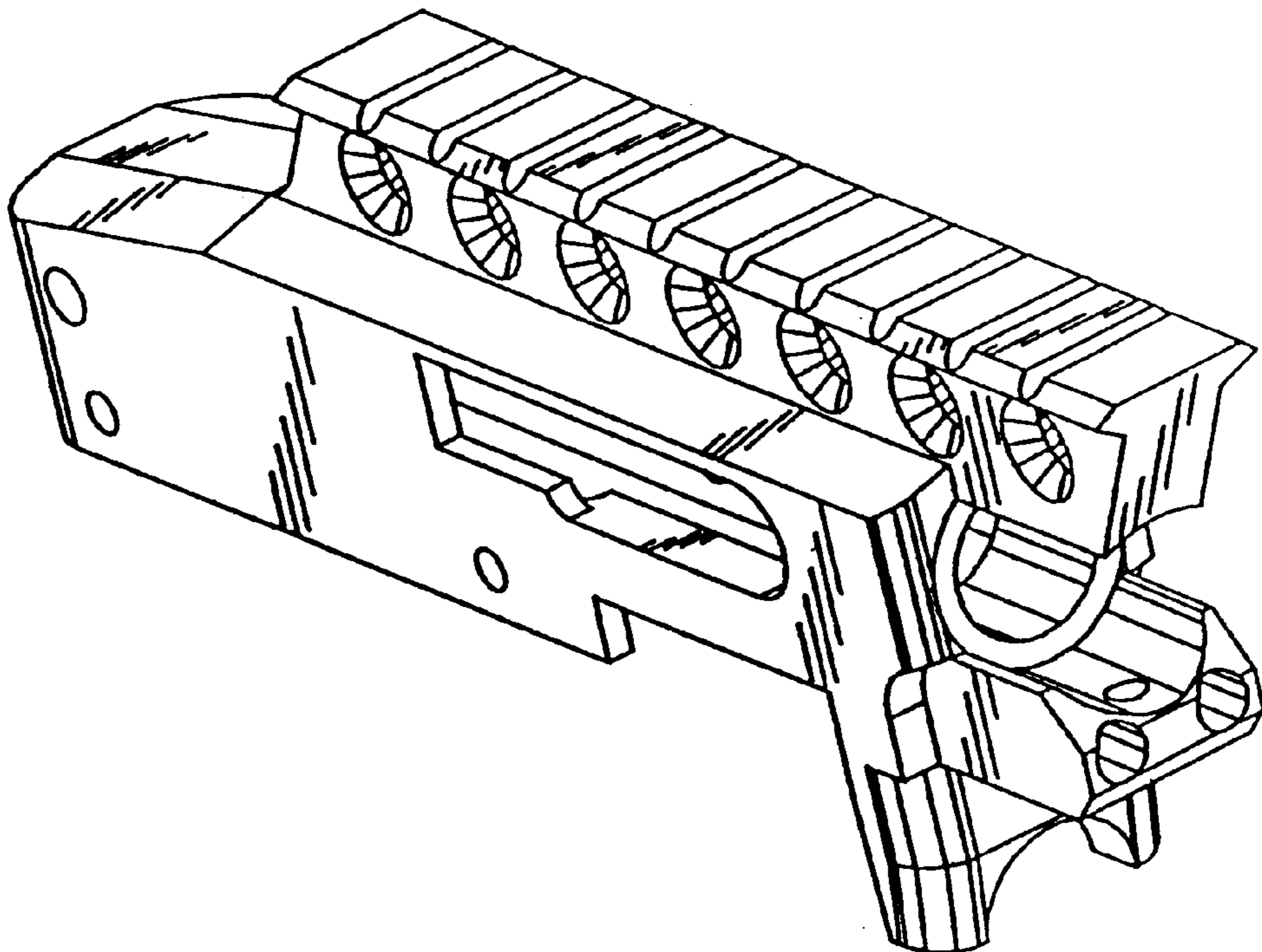
Assistant Examiner—Monica A. Weingart

FIG. 6 is a bottom view of the design;

FIG. 7 is a front view of the telescope mounting receiver for firearms of our ornamental design; and,

FIG. 8 is a rear view of the telescope mounting receiver for firearms of the design.

1 Claim, 4 Drawing Sheets



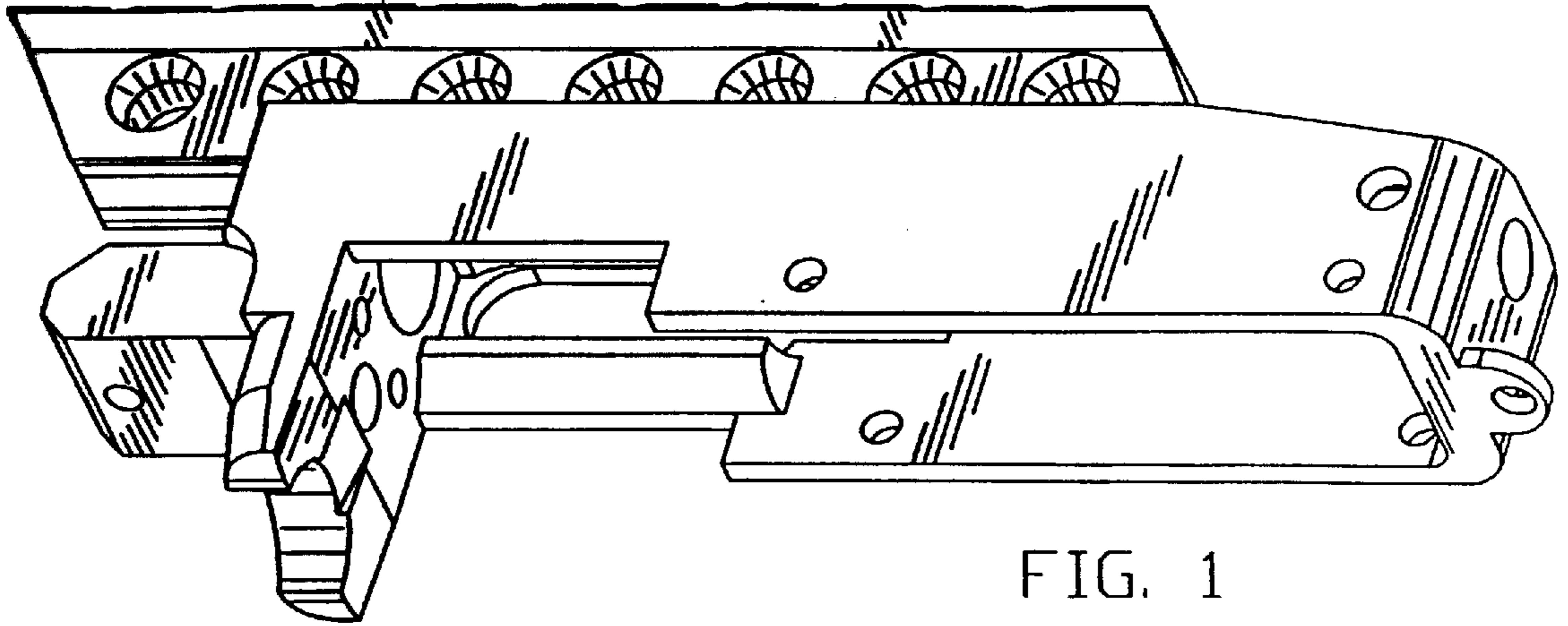


FIG. 1

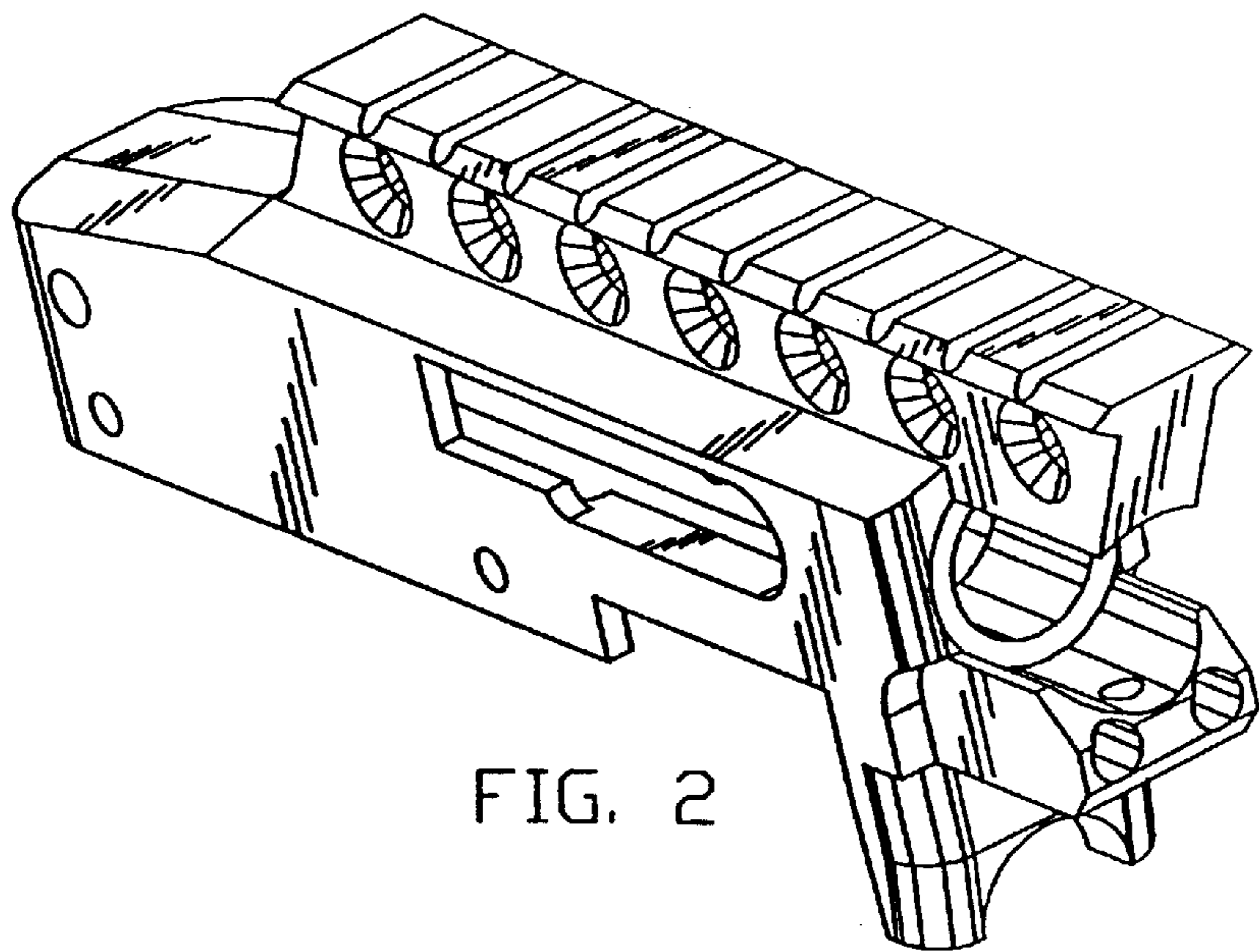


FIG. 2

FIG. 3

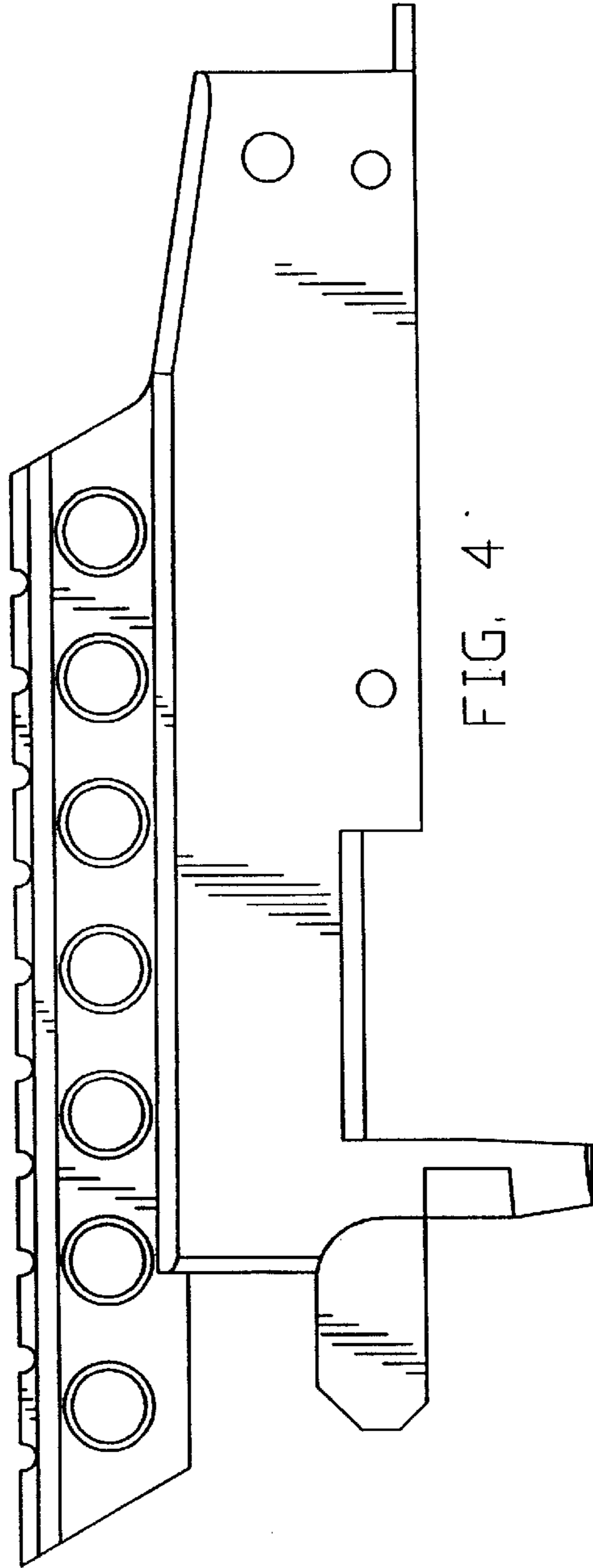


FIG. 4

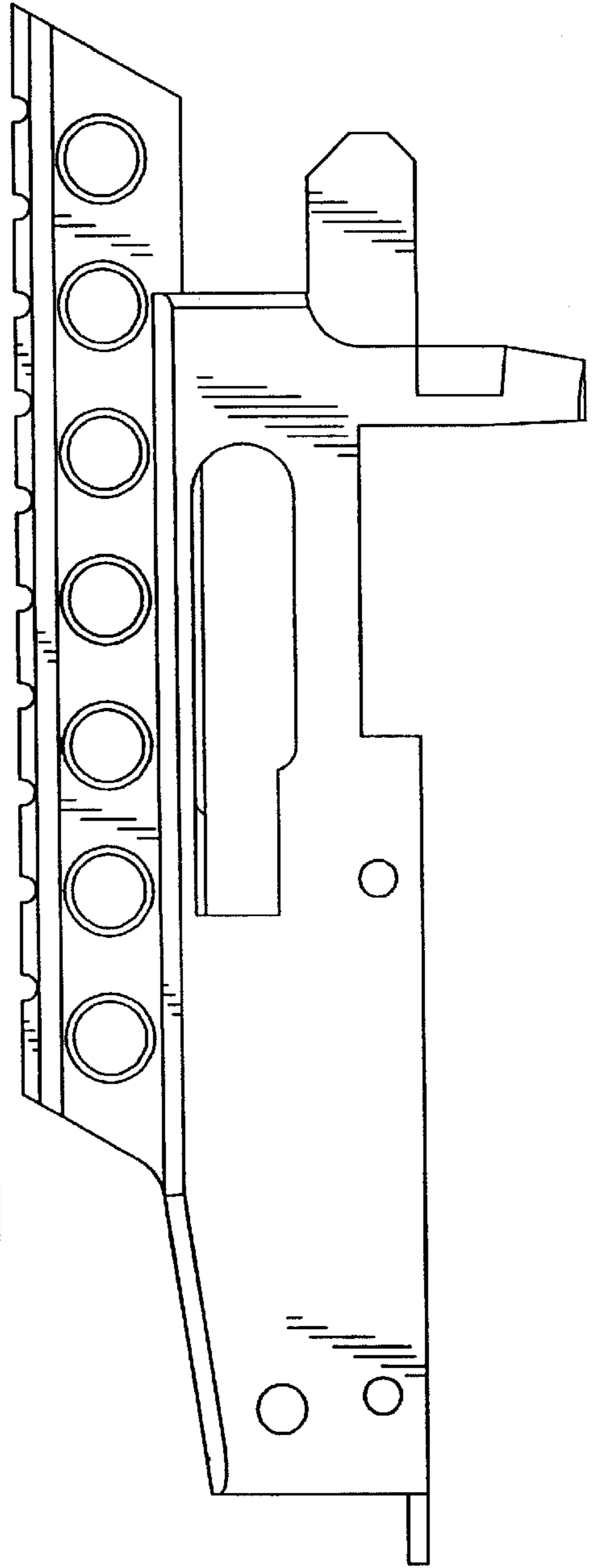


FIG. 5

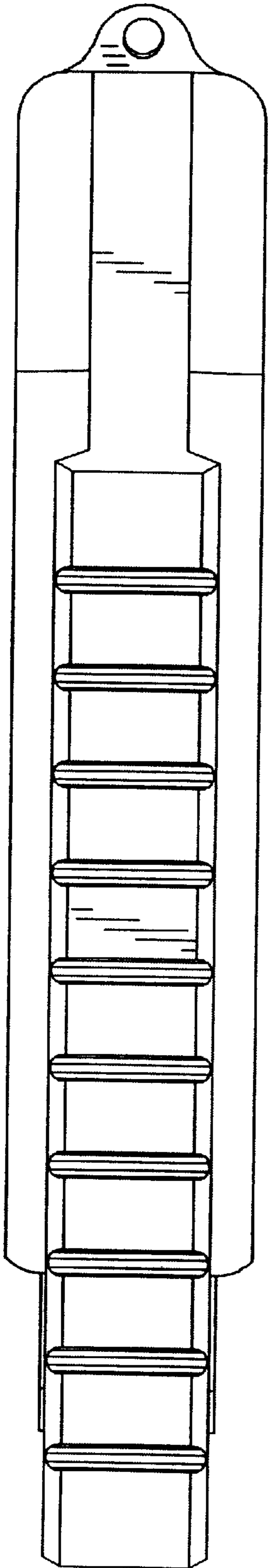
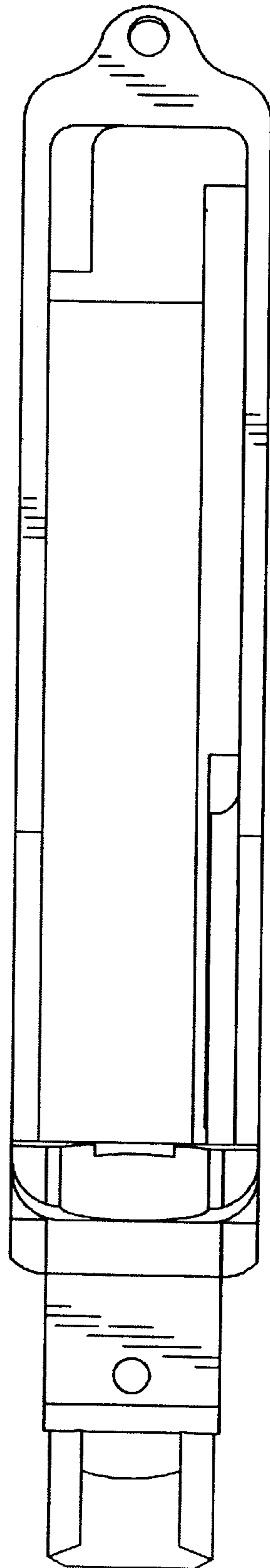


FIG. 6



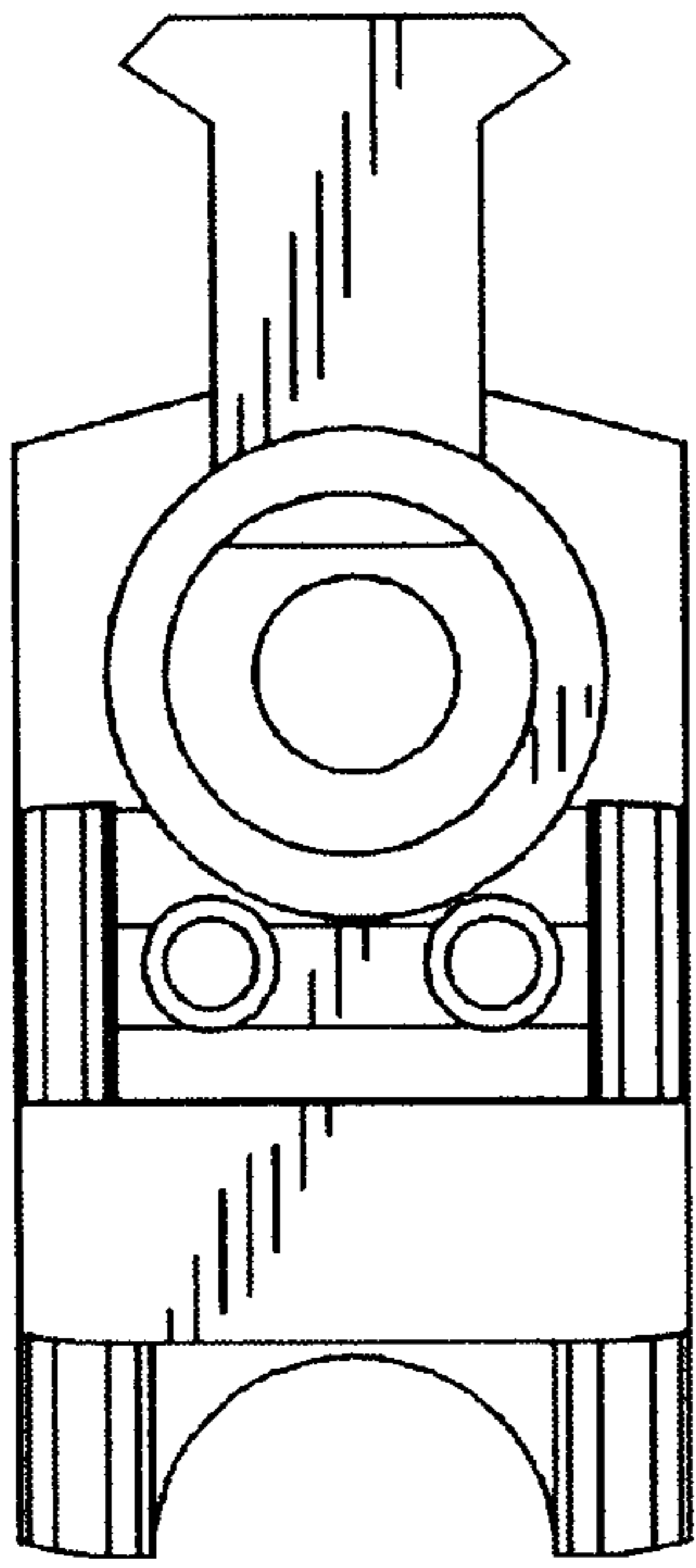


FIG. 7

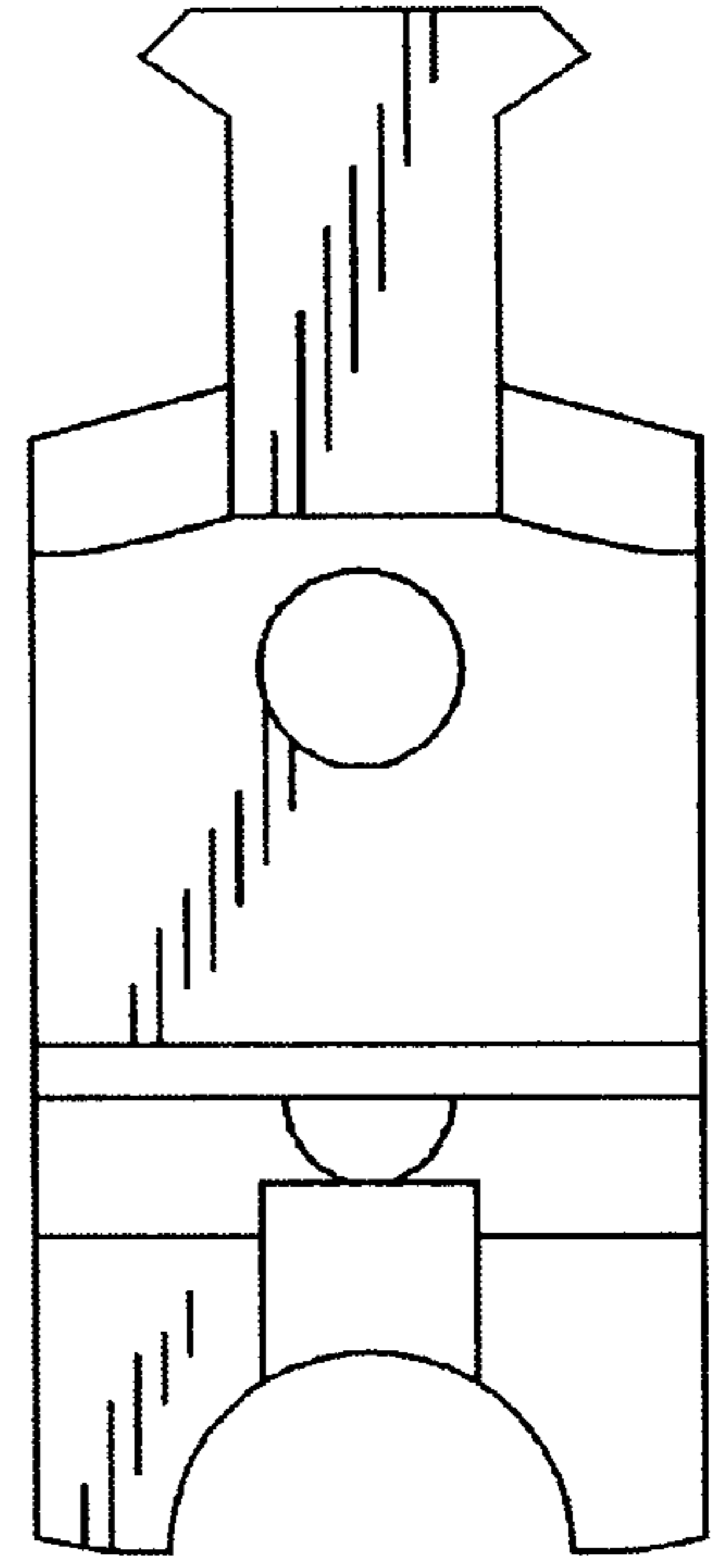


FIG. 8