



US00D448057B1

(12) **United States Design Patent**
Hoal

(10) **Patent No.:** **US D448,057 S**

(45) **Date of Patent:** **** Sep. 18, 2001**

(54) **GOLF PUTTER HEAD**

5,607,365 * 3/1997 Wolf 473/328
6,217,460 * 4/2001 Broadbrodge et al. 473/324

(76) Inventor: **John Andrew Valentine Hoal**, Smoky
Ridge Farm, Crammix Road,
Brackenfell, 7500, Cape Town (ZA)

* cited by examiner

(**) Term: **14 Years**

Primary Examiner—Mitchell Siegel
(74) *Attorney, Agent, or Firm*—Wood, Phillips, VanSanten,
Clark & Mortimer

(21) Appl. No.: **29/135,964**

(57) **CLAIM**

(22) Filed: **Jan. 23, 2001**

The ornamental design of a golf putter head, as shown and
described.

(51) **LOC (7) Cl.** **21-02**

DESCRIPTION

(52) **U.S. Cl.** **D21/736**

(58) **Field of Search** D21/736-746;
473/324, 325, 327, 328, 329, 340, 341,
251-256

FIG. 1 is a front view of a golf putter head showing my new
design;

FIG. 2 is a top plan view thereof;

FIG. 3 is a left end view thereof;

FIG. 4 is a right end view thereof;

FIG. 5 is a rear view thereof;

FIG. 6 is a bottom plan view thereof; and,

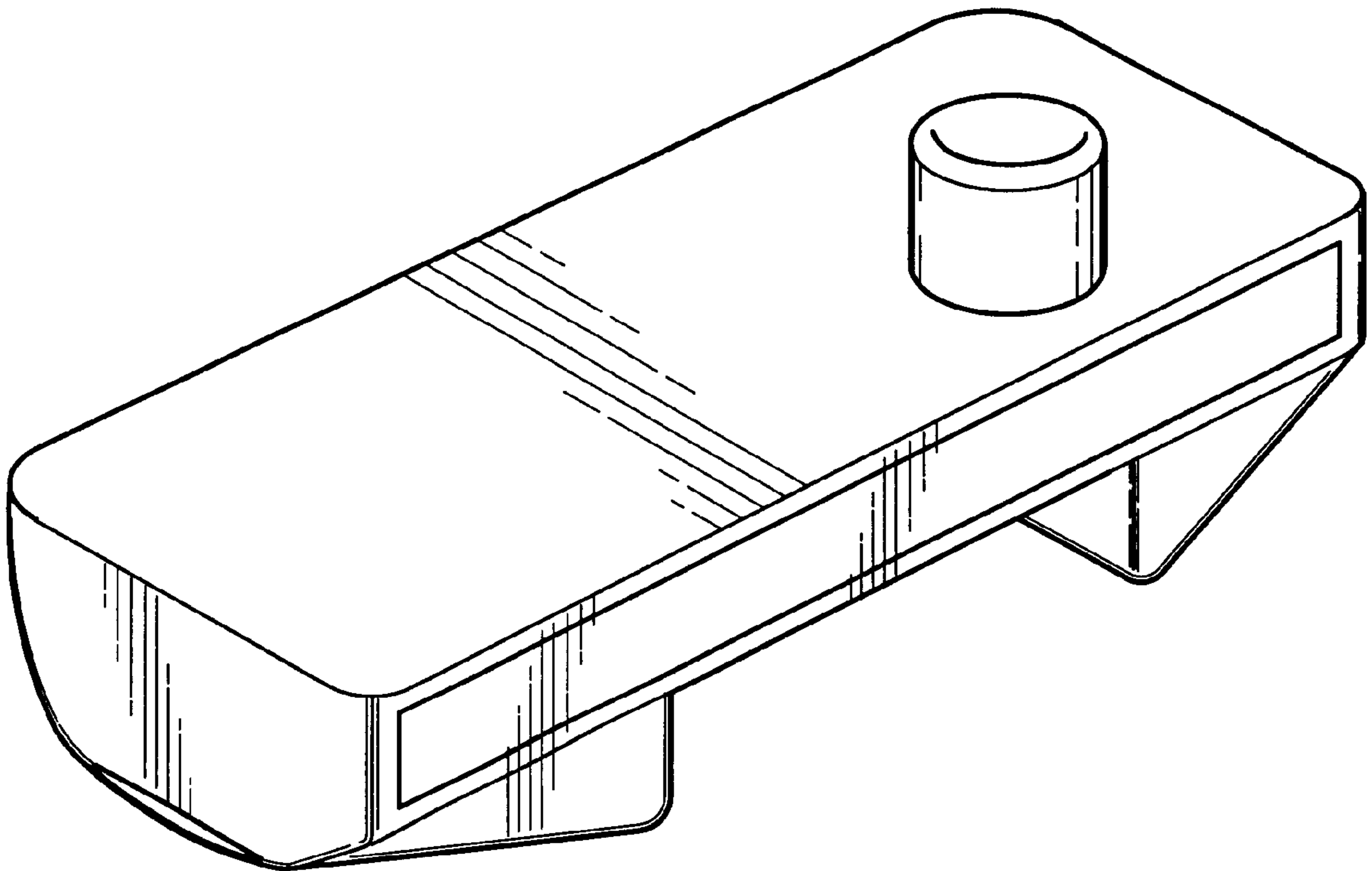
FIG. 7 is a three-dimensional view thereof.

(56) **References Cited**

U.S. PATENT DOCUMENTS

- D. 303,825 * 10/1989 Burns D21/738
- D. 388,852 * 1/1998 Giordano D21/746
- D. 412,728 * 10/1999 Broadbridge et al. D21/742

1 Claim, 3 Drawing Sheets



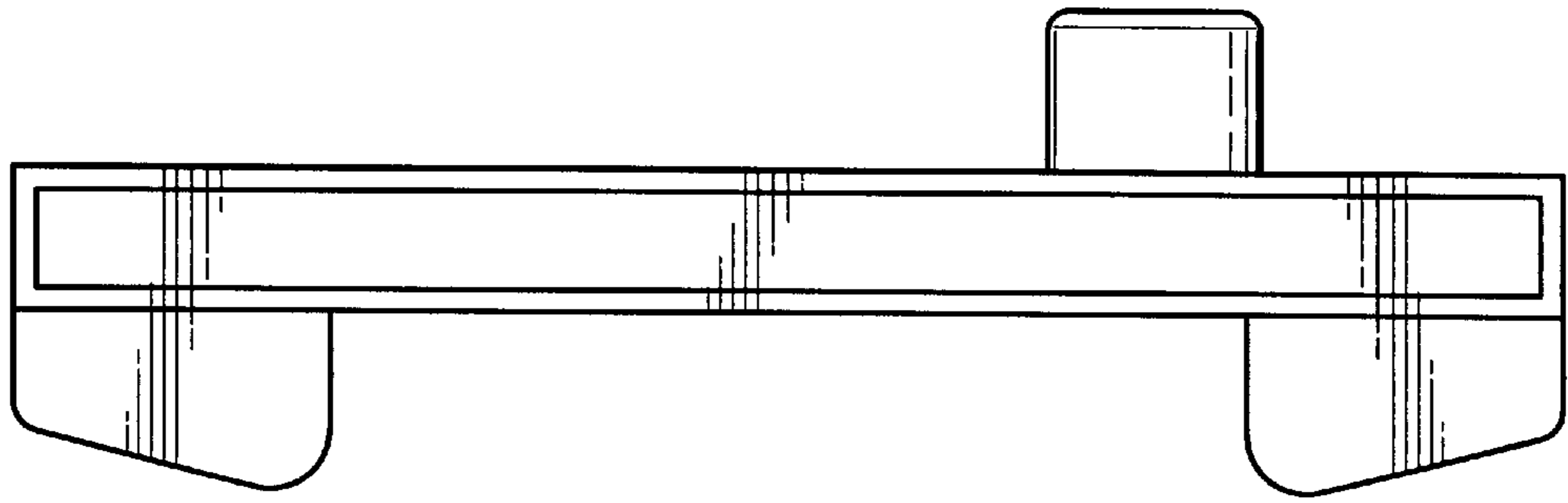


FIG 1

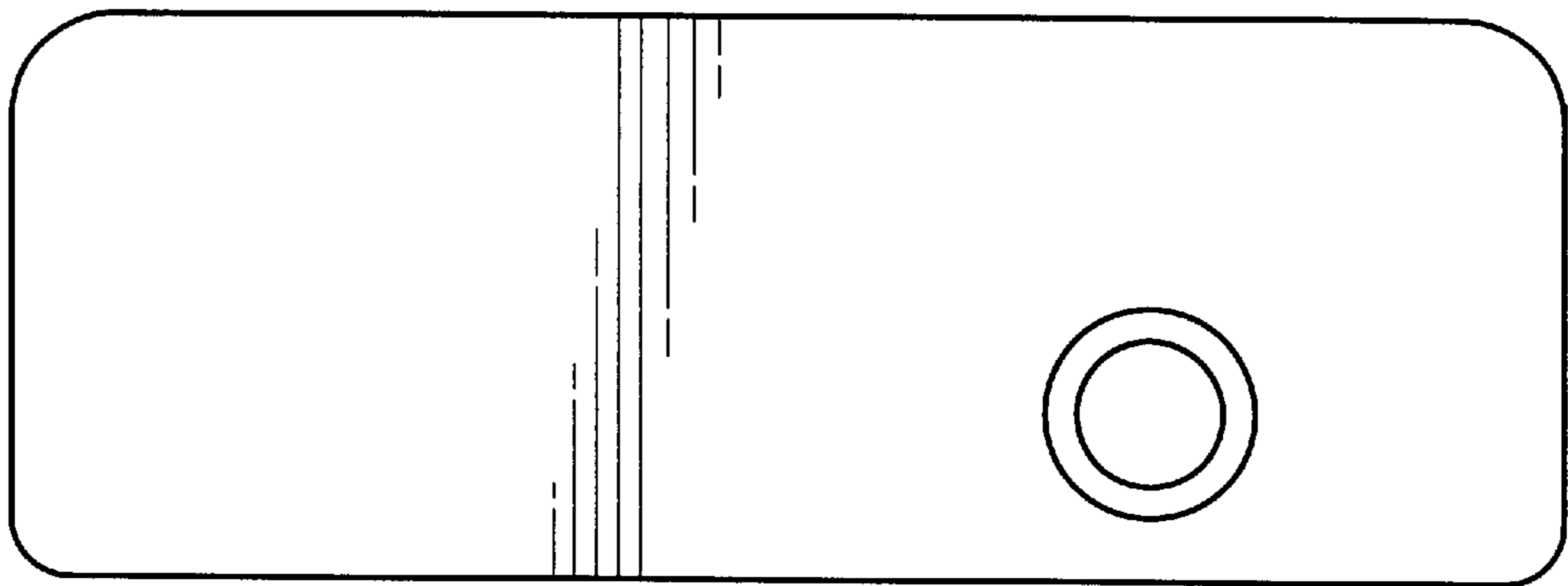


FIG 2

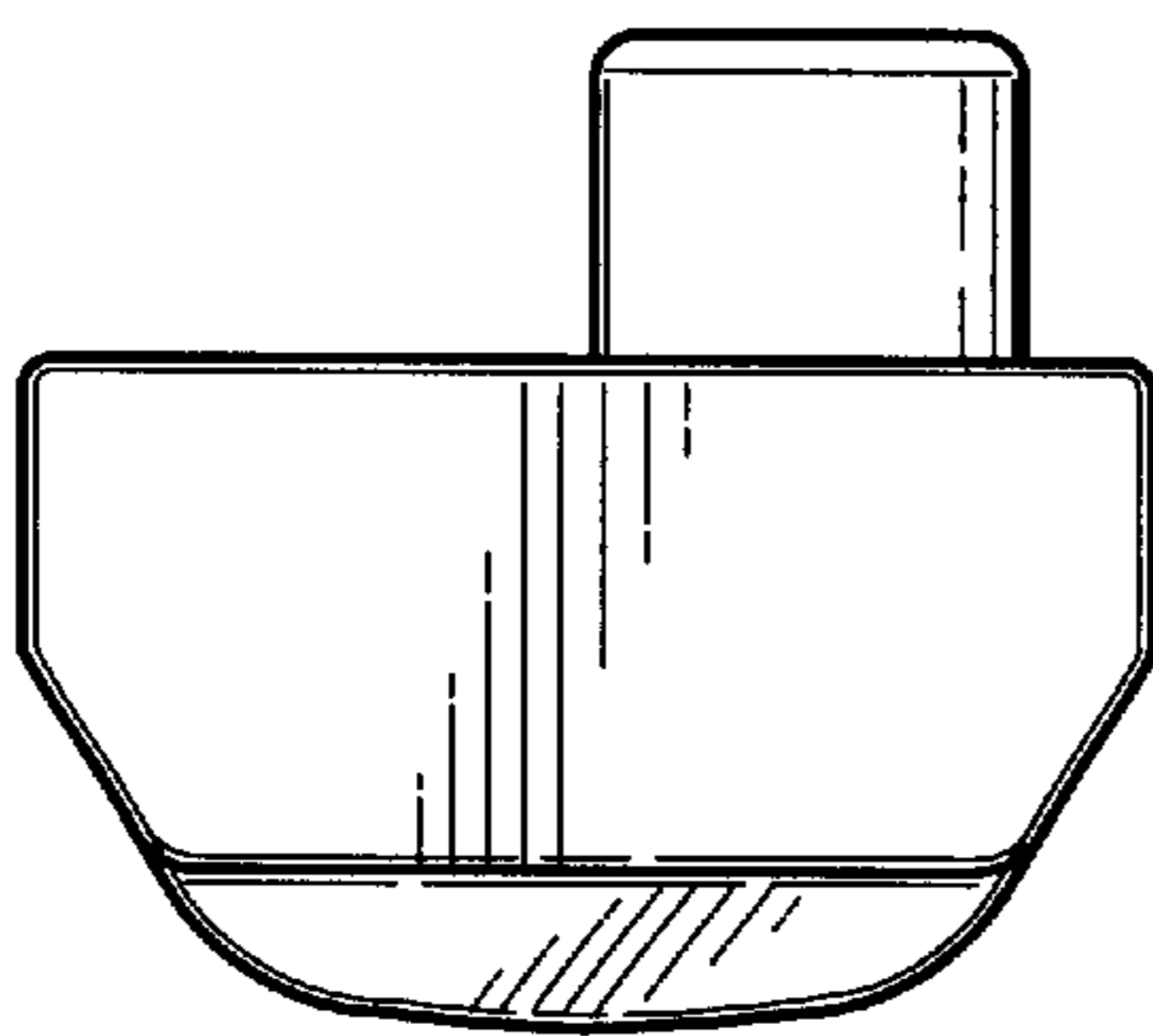


FIG 3

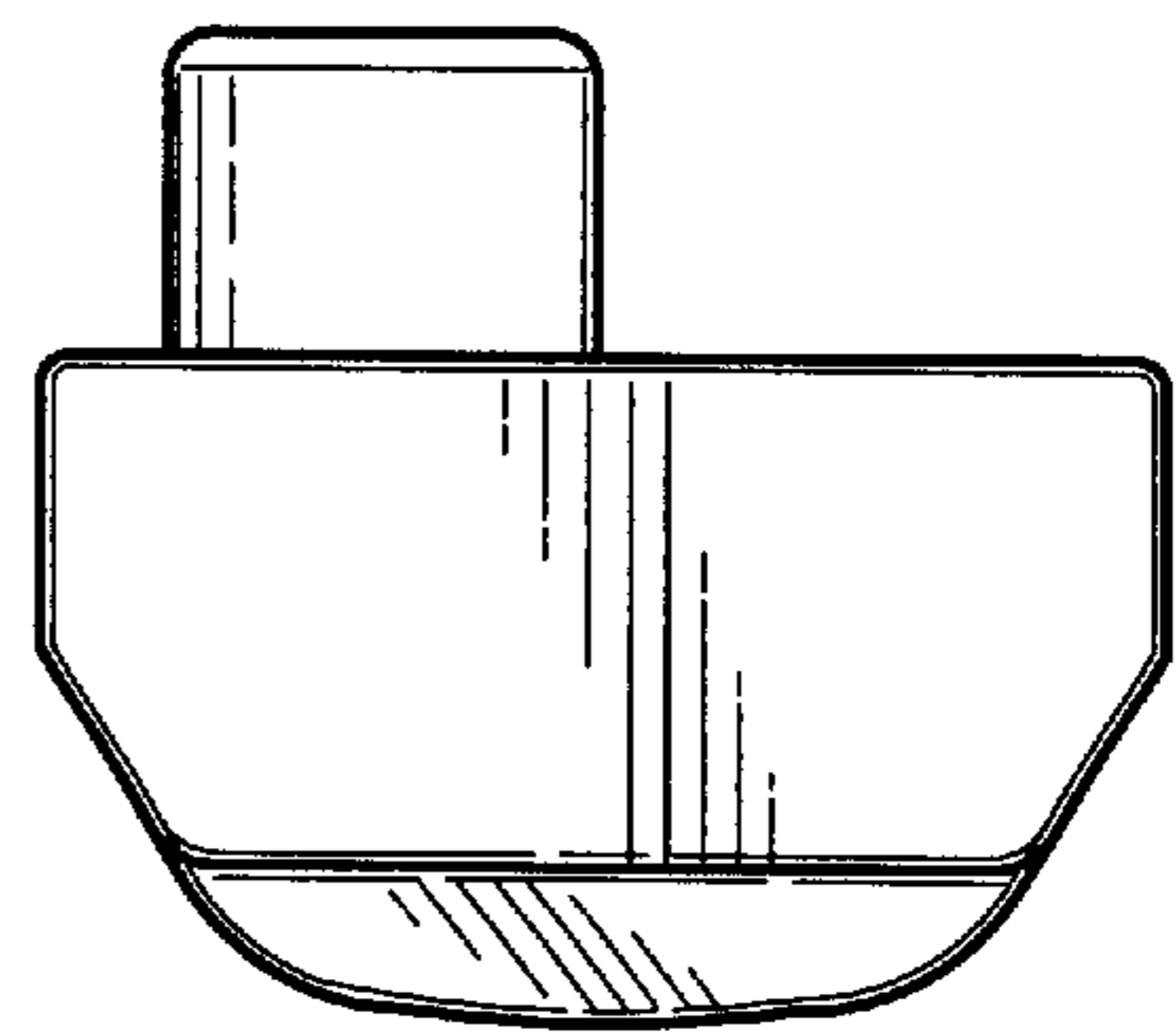


FIG 4

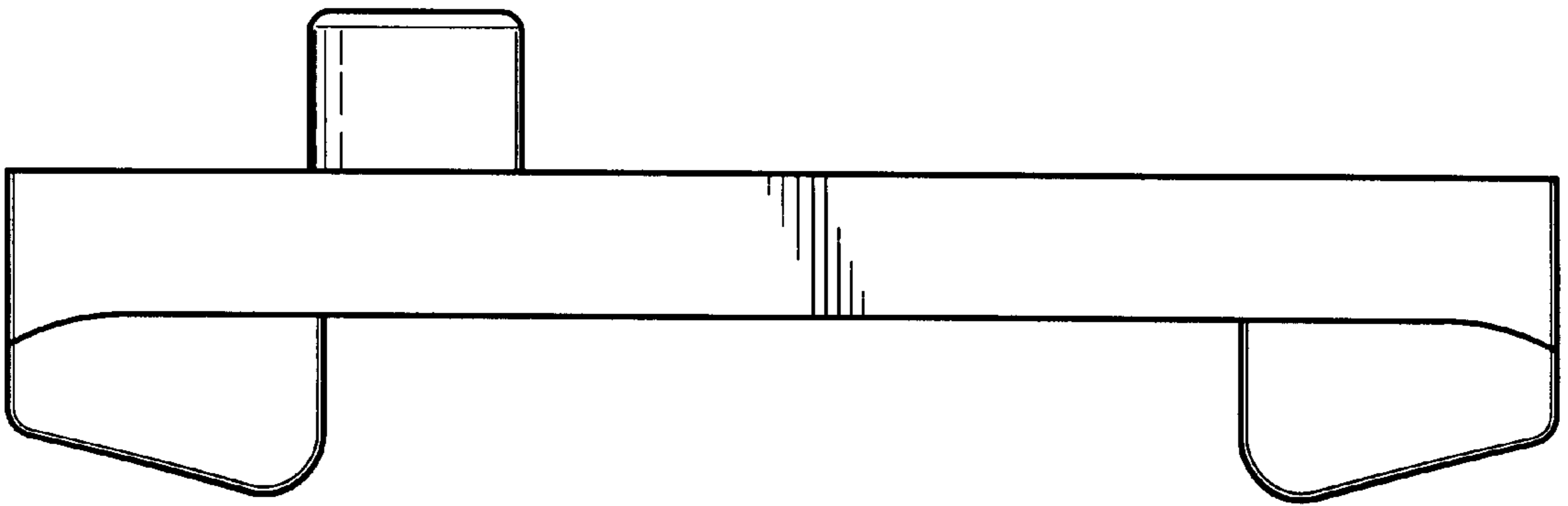


FIG 5

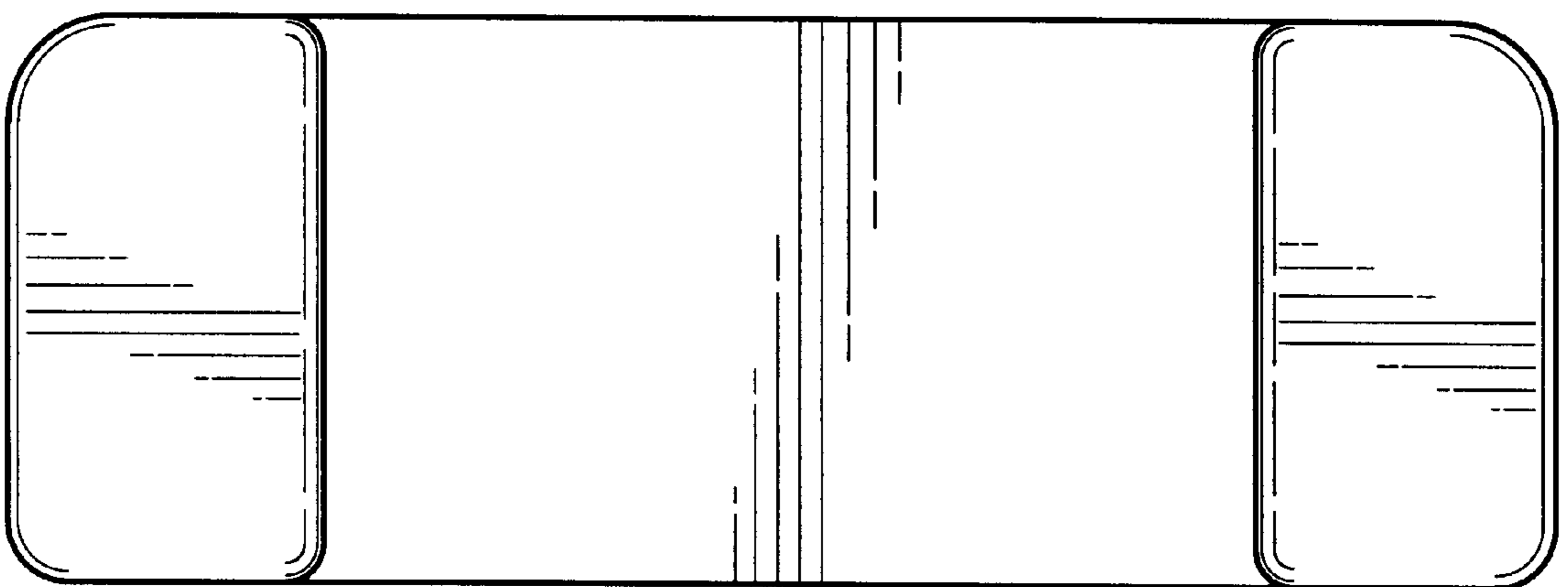


FIG 6

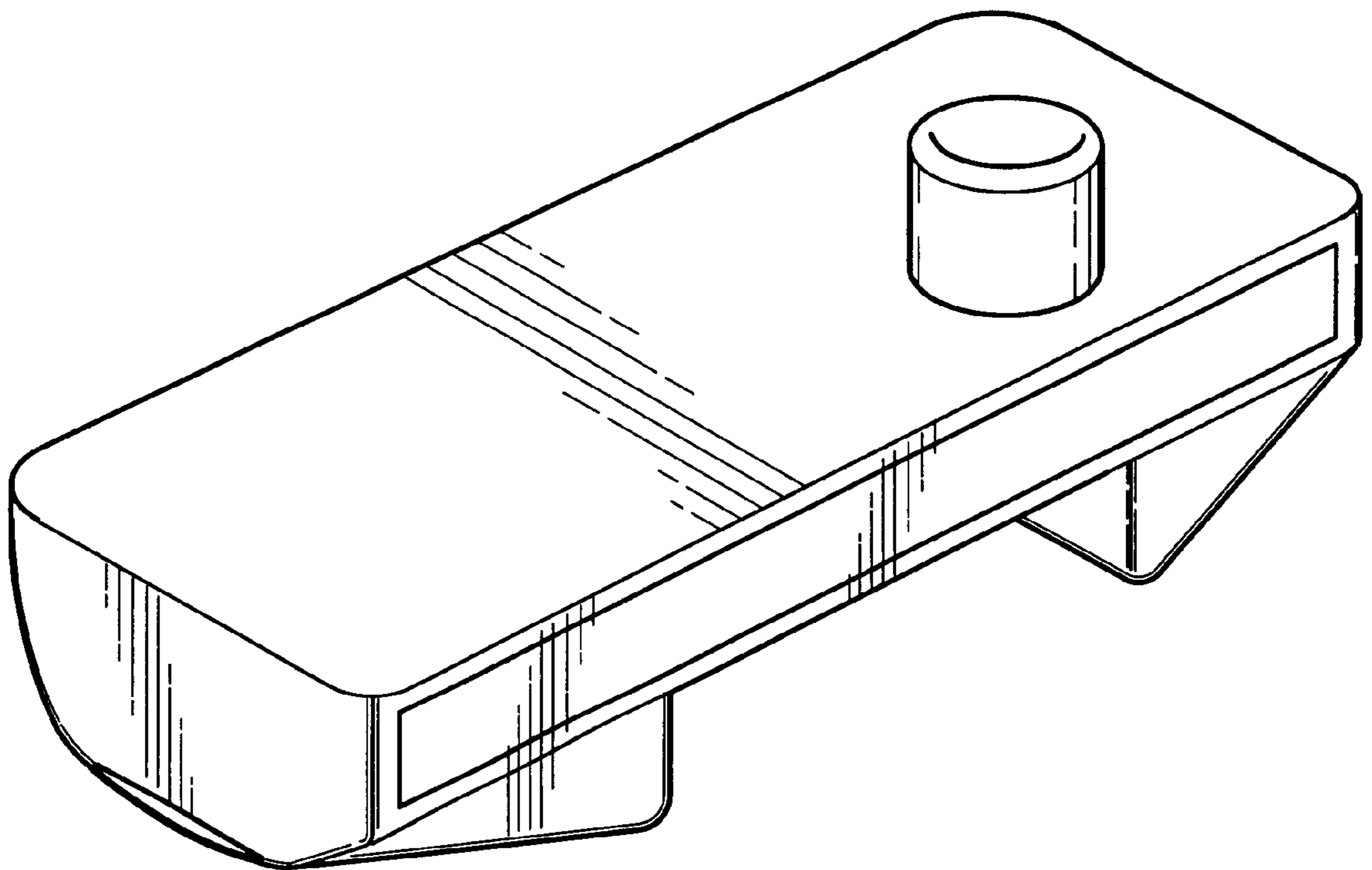


FIG 7