



US00D448055B1

(12) **United States Design Patent**
Lien et al.

(10) **Patent No.:** **US D448,055 S**

(45) **Date of Patent:** **** Sep. 18, 2001**

- (54) **WEIGHT PLATE**
- (75) Inventors: **Louis Lien**, Bellaire; **Annie Wu**;
Robert Harms, both of Houston;
Eugene Segovia, Bellville, all of TX
(US); **Rick Byrd**, Springfield, MO
(US); **Bob Tanko**, Humble, TX (US)
- (73) Assignee: **USA Sports, Inc.**, Houston, TX (US)
- (**) Term: **14 Years**
- (21) Appl. No.: **29/131,220**
- (22) Filed: **Oct. 17, 2000**
- (51) **LOC (7) Cl.** **21-02**
- (52) **U.S. Cl.** **D21/681; D21/680**
- (58) **Field of Search** D21/662, 680,
D21/681, 682, 683; 482/105, 106, 107,
108, 109

3,572,702	3/1971	Dorn .	
3,771,785	11/1973	Sreyer .	
3,796,431	3/1974	Sinyard .	
3,913,908	10/1975	Speyer .	
3,971,555	7/1976	Mahnke .	
4,079,932	3/1978	Schuetz .	
4,231,569	11/1980	Rae .	
4,311,306	1/1982	Solloway .	
4,369,968	1/1983	Price .	
4,373,717	2/1983	Lambert, Jr. .	
4,455,020	6/1984	Schnell .	
4,482,151	11/1984	Zwilling .	
4,515,364	5/1985	Rotella .	
4,625,959	12/1986	Schleffendorf .	
4,673,179	6/1987	Pengler .	
4,756,526	7/1988	Broussard .	
4,817,944	4/1989	Anderson et al. .	
4,828,256	5/1989	Lee .	
4,854,575	8/1989	Wilson et al. .	
4,880,229	11/1989	Broussard .	
5,137,502	8/1992	Anastasi	482/106
5,464,379	11/1995	Zarecky	482/106
5,573,484	11/1996	Carpenter	482/108
5,853,355	12/1998	Standish	482/106

- (56) **References Cited**
- U.S. PATENT DOCUMENTS**
- D. 194,042 11/1962 Guthormsen .
- D. 216,517 1/1970 Dorn .
- D. 274,283 6/1984 Wright .
- D. 278,358 4/1985 Zwilling .
- D. 309,763 8/1990 Solloway .
- D. 355,007 * 1/1995 Rojas et al. D21/681
- D. 377,202 1/1997 Rohan .
- D. 394,685 * 5/1998 Eckman D21/680
- D. 405,484 2/1999 Rojas et al. .
- D. 406,183 * 2/1999 Zovich D21/680
- D. 421,076 * 2/2000 Lincir D21/681
- D. 428,947 * 8/2000 Harms et al. D21/680
- D. 433,721 * 11/2000 Rojas et al. D21/680
- D. 434,090 * 11/2000 Wallace et al. D21/680
- 1,047,212 12/1912 Hamilton .
- 2,244,351 6/1941 Venables .
- 2,447,218 8/1948 Trzesniewski .
- 2,676,802 4/1954 O'Brien .
- 2,796,269 6/1957 Watson .
- 3,171,652 3/1965 Newman .
- 3,226,117 12/1965 Walklet .
- 3,482,835 12/1969 Dean .

* cited by examiner

Primary Examiner—Philip S. Hyder
(74) *Attorney, Agent, or Firm*—Nick A. Nichols, Jr.

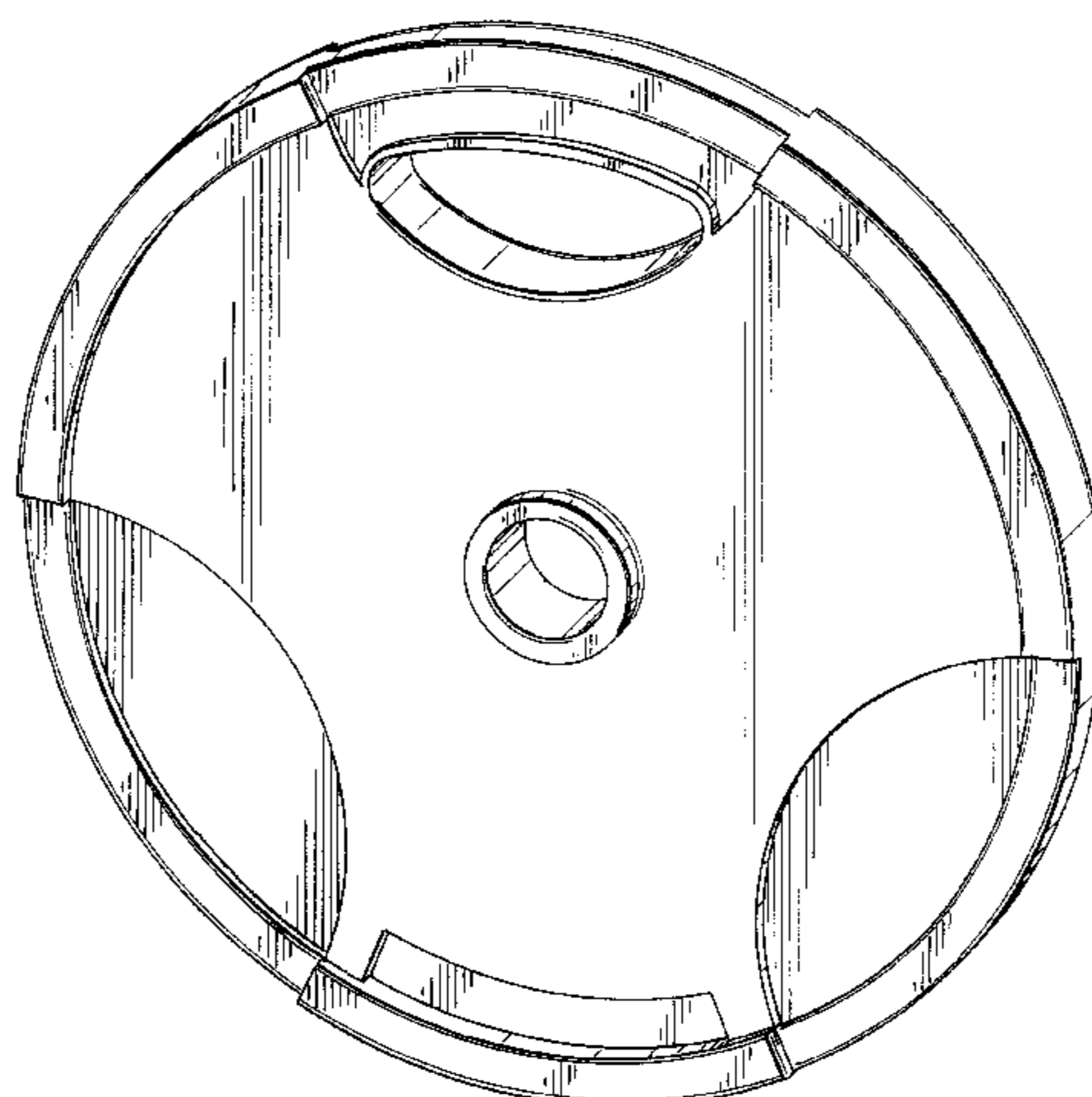
(57) **CLAIM**

The ornamental design for a weight plate, as shown and described.

DESCRIPTION

FIG. 1 is a perspective view of a weight plate showing our new design;
 FIG. 2 is a front view thereof, the opposite side being a mirror image;
 FIG. 3 is a top view thereof;
 FIG. 4 is a side view thereof, the opposite side being a mirror image;
 FIG. 5 is a cross-sectional view of the weight plate taken along line 5—5 of FIG. 2; and,
 FIG. 6 is a bottom view thereof.

1 Claim, 2 Drawing Sheets



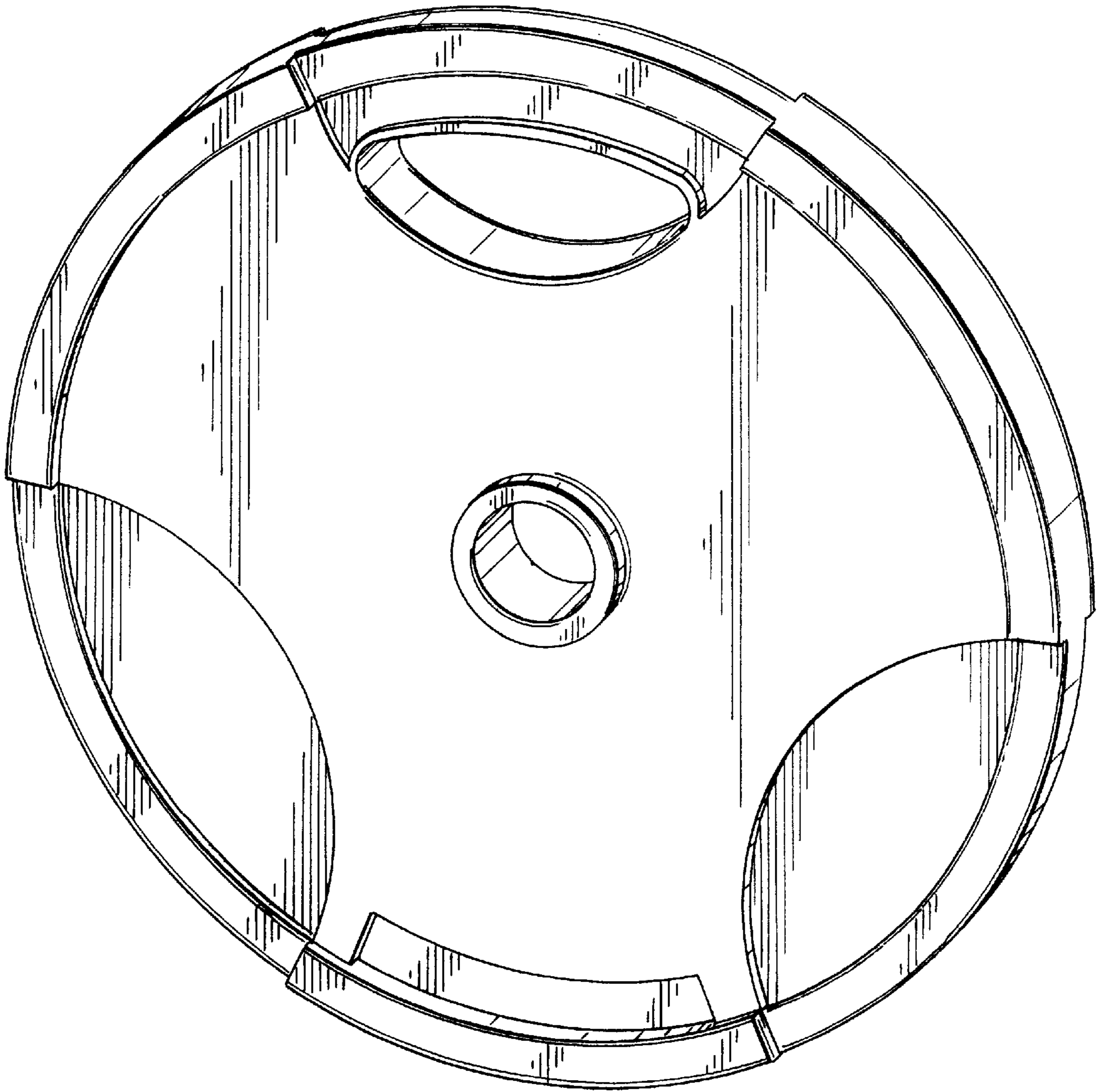
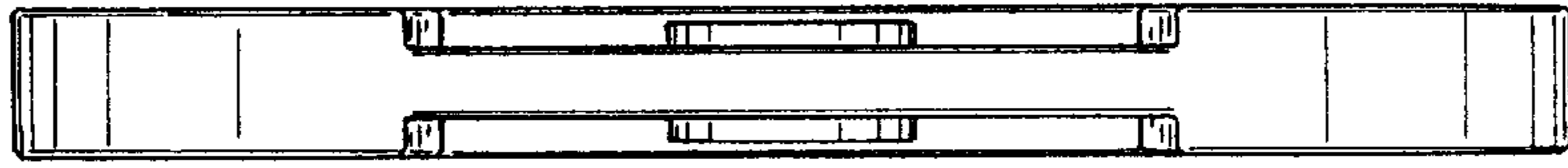


FIG. 1

FIG. 3



5 ←

FIG. 2

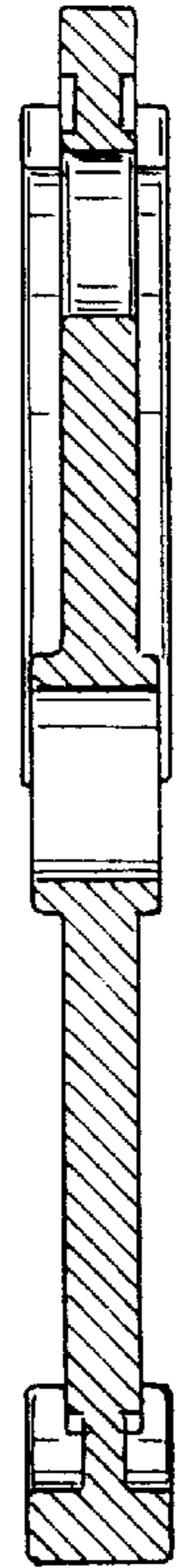
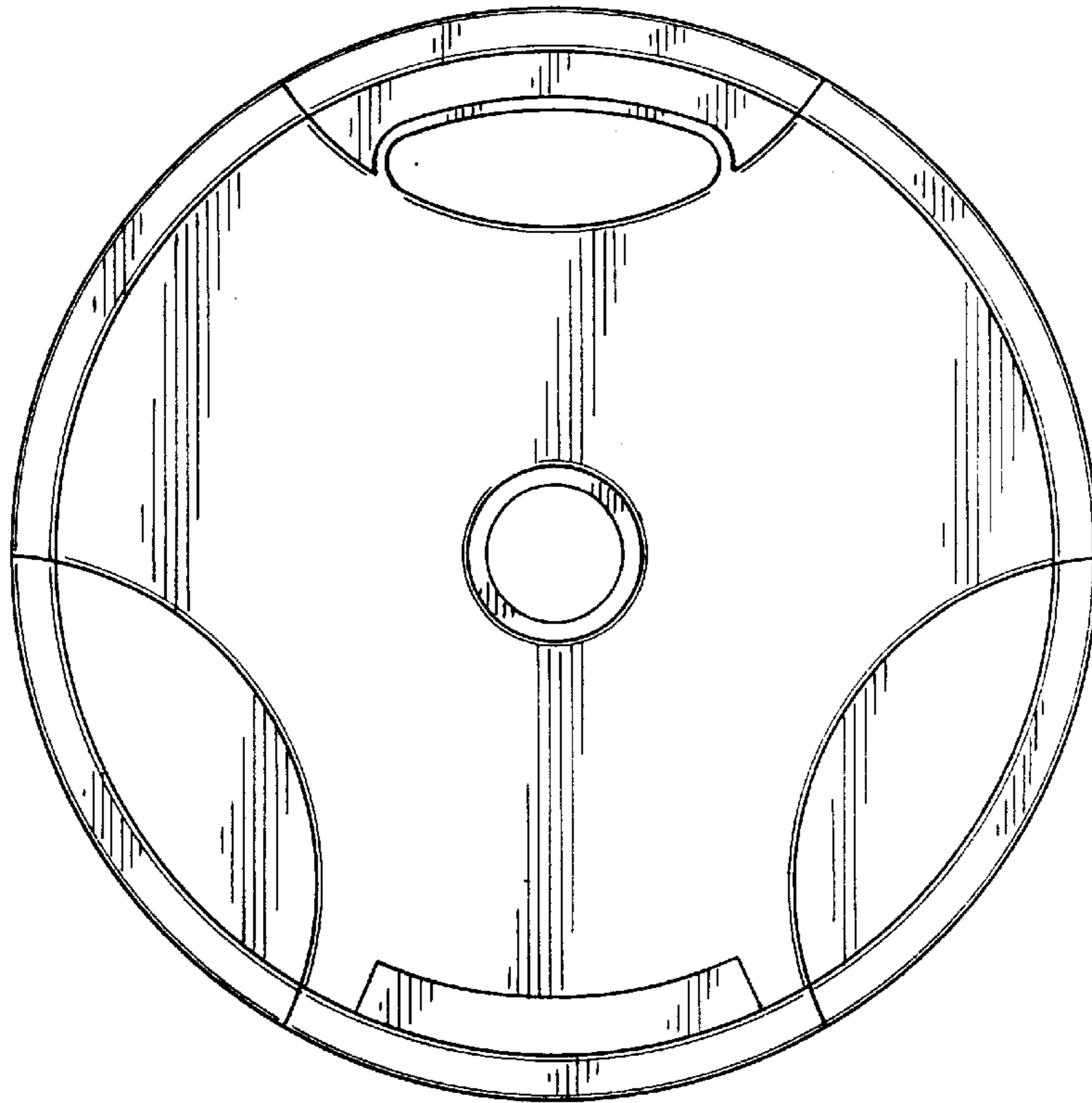
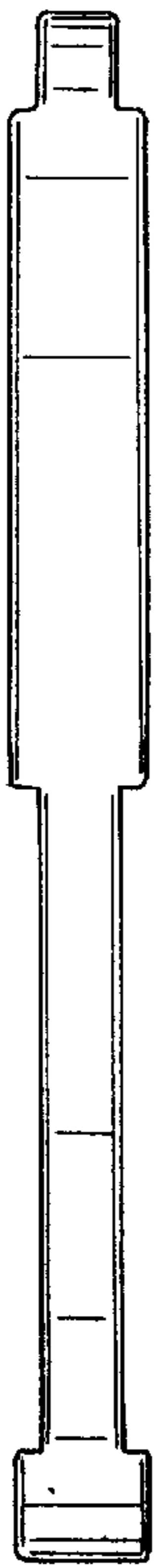


FIG. 4

5 ←

FIG. 5



FIG. 6