



US00D448050B1

(12) **United States Design Patent**  
**Humphrey**

(10) **Patent No.:** **US D448,050 S**

(45) **Date of Patent:** **\*\* Sep. 18, 2001**

- (54) **PINBALL GUMBALL VENDOR**
- (75) Inventor: **Dallas Humphrey**, Long Lake, MN (US)
- (73) Assignee: **Edina Technical Products, Inc.**, Plymouth, MN (US)
- (\*\*) Term: **14 Years**
- (21) Appl. No.: **29/130,190**
- (22) Filed: **Sep. 28, 2000**
- (51) **LOC (7) Cl.** ..... **20-01**
- (52) **U.S. Cl.** ..... **D20/7**
- (58) **Field of Search** ..... D20/1-9; D21/312, D21/322, 323; 273/118 A, 118 R, 119 A, 119 R, 121 A, 121 B, 121 R, 124 R, 127 R, 127 D

2,093,293	9/1937	Stoner .
2,141,580	12/1938	White .
2,895,639	7/1959	Little .
2,926,915	3/1960	Johns .
3,476,391	11/1969	Fejko .
3,953,027	4/1976	Katzman .
4,298,138	11/1981	Oden .
4,380,335	4/1983	Chaudhry .
4,454,961	6/1984	Childers .
4,569,563	2/1986	Pellegrino .
4,721,197	1/1988	Hoffman .
5,131,655	7/1992	Ugawa .
5,137,278	8/1992	Schilling .
5,149,093	9/1992	Schilling .
5,465,965	11/1995	Wurz .
5,516,104	5/1996	Takemoto .
5,651,546	7/1997	Lowlor .
5,722,656	3/1998	Dickerson .

*Primary Examiner*—Nanda Bondade  
(74) *Attorney, Agent, or Firm*—Patterson, Thuente, Skaar & Christensen, P.A.

(56) **References Cited**  
U.S. PATENT DOCUMENTS

D. 91,335	1/1934	Stoner .
D. 121,779	8/1940	Wilsey .
D. 167,560	8/1952	Williams .
D. 337,790	7/1993	Gottlieb .
677,905	7/1901	Tribble .
1,040,077	10/1912	Whiting .
1,450,058	3/1923	Allen .
1,700,541	1/1929	Mills .
1,711,654	5/1929	Redlinger .
1,721,137	7/1929	Schmidt .
1,981,272	11/1934	Kuhn .
2,003,349	6/1935	Dumble .
2,012,502	8/1935	Fey .
2,022,445	11/1935	Vogel .
2,092,286	9/1937	Melnick .

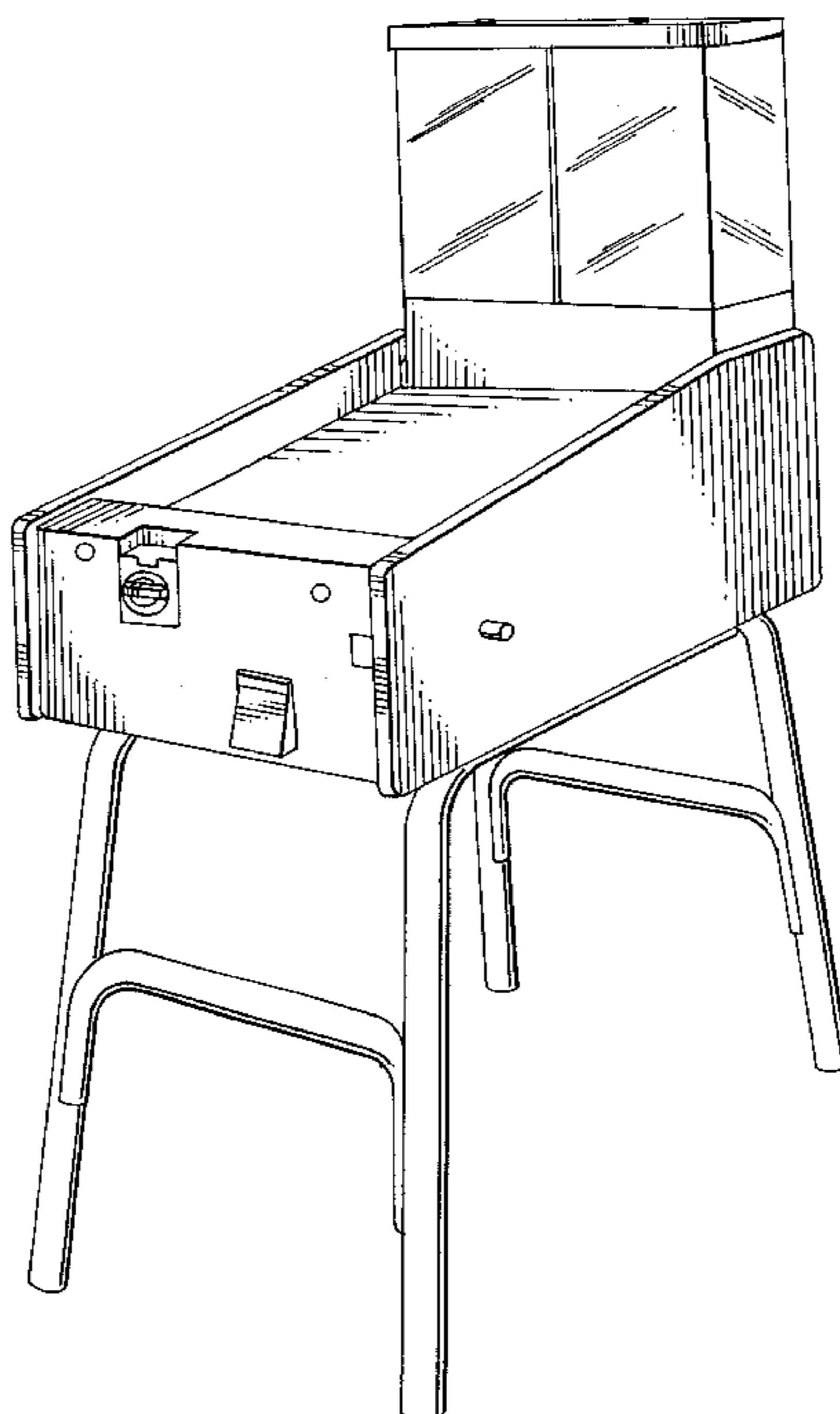
(57) **CLAIM**

The ornamental design for a pinball gumball vendor, as shown and described.

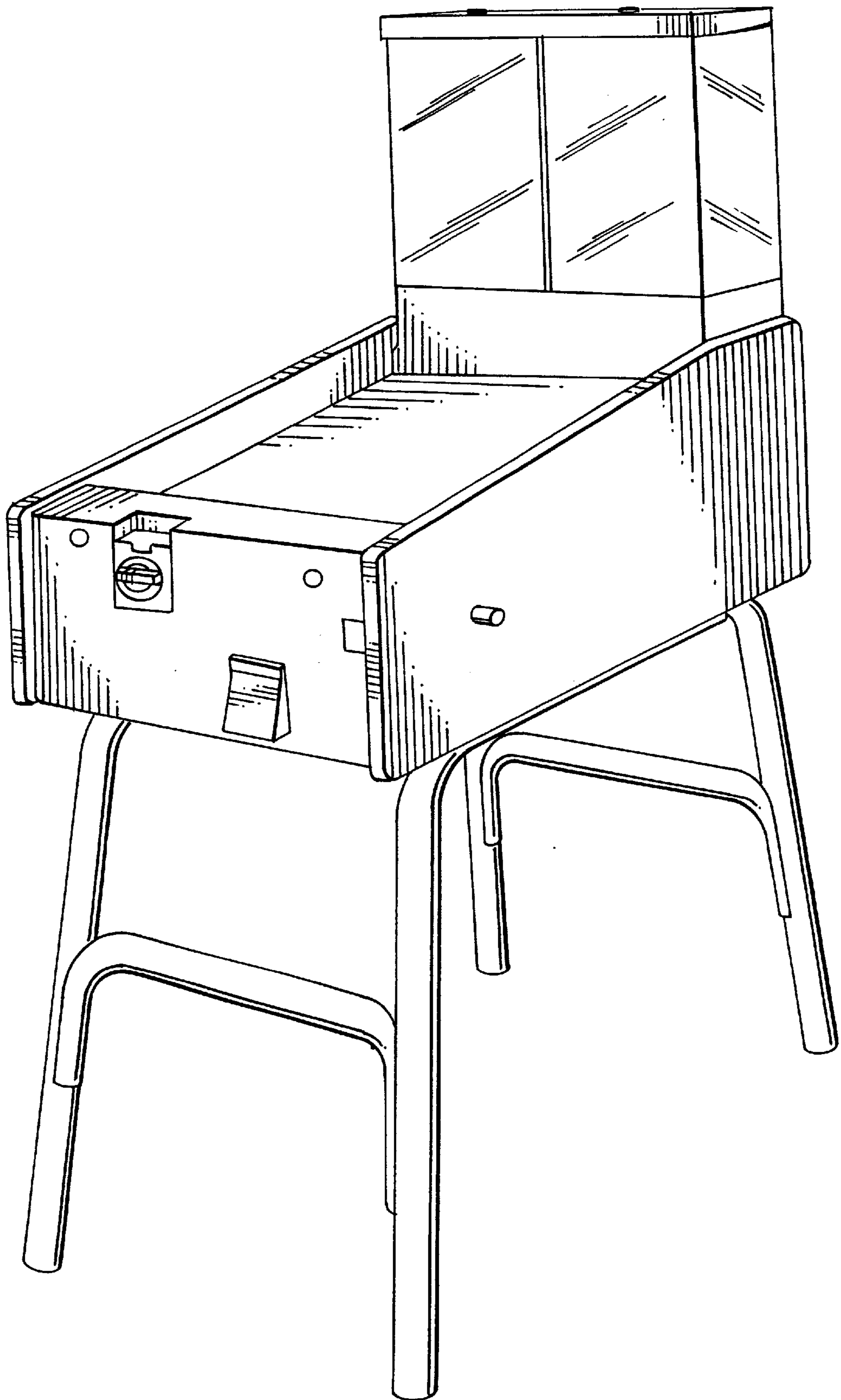
**DESCRIPTION**

FIG. 1 is a top front perspective view of a pinball gumball vendor embodying my new design;  
FIG. 2 is a top plan view thereof;  
FIG. 3 is a front elevation view thereof;  
FIG. 4 is a side elevation view thereof, with the opposite side elevation being a mirror image thereof; and,  
FIG. 5 is a rear elevation thereof, with no ornamentation being claimed for the bottom thereof.

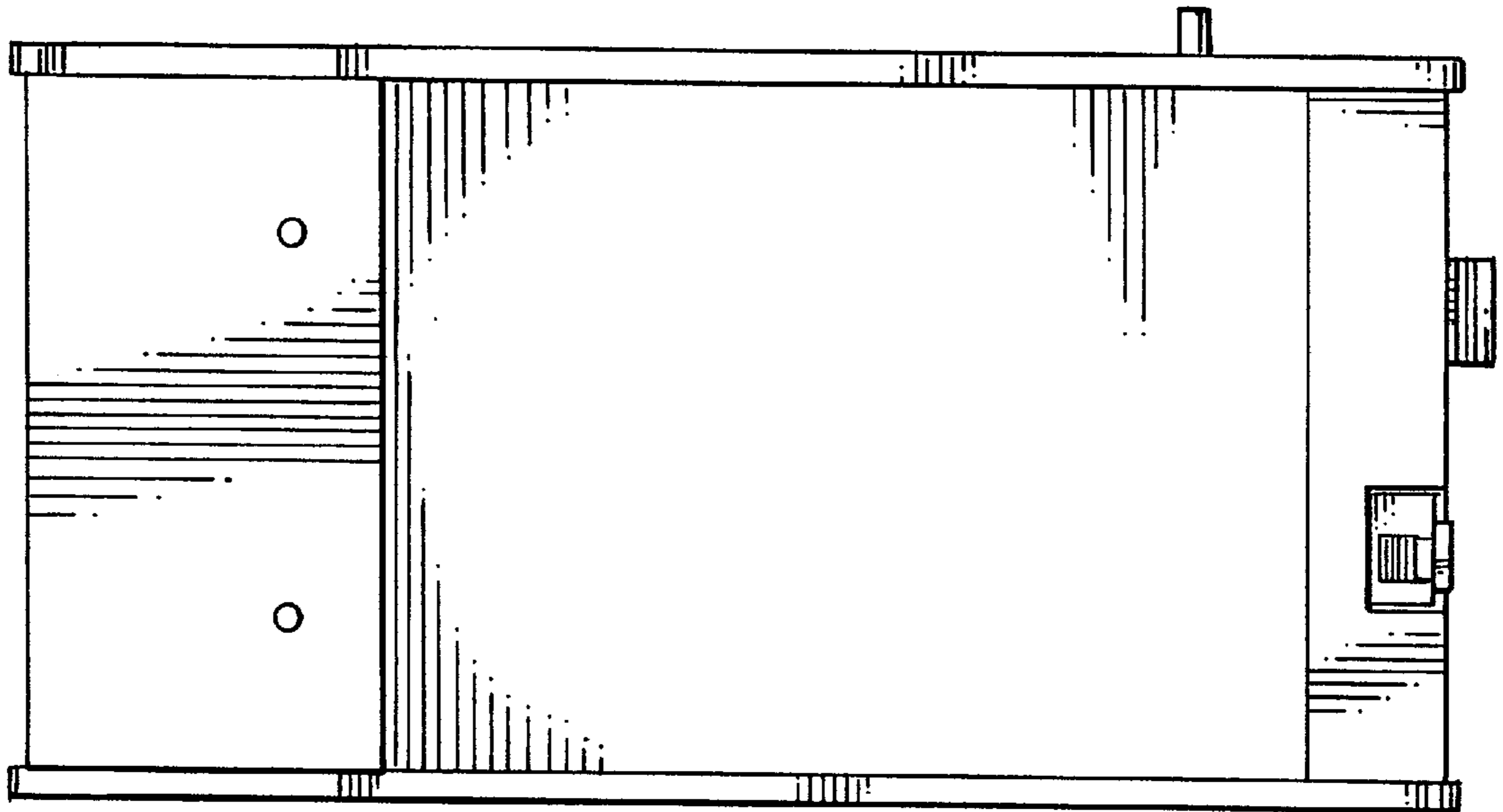
**1 Claim, 5 Drawing Sheets**



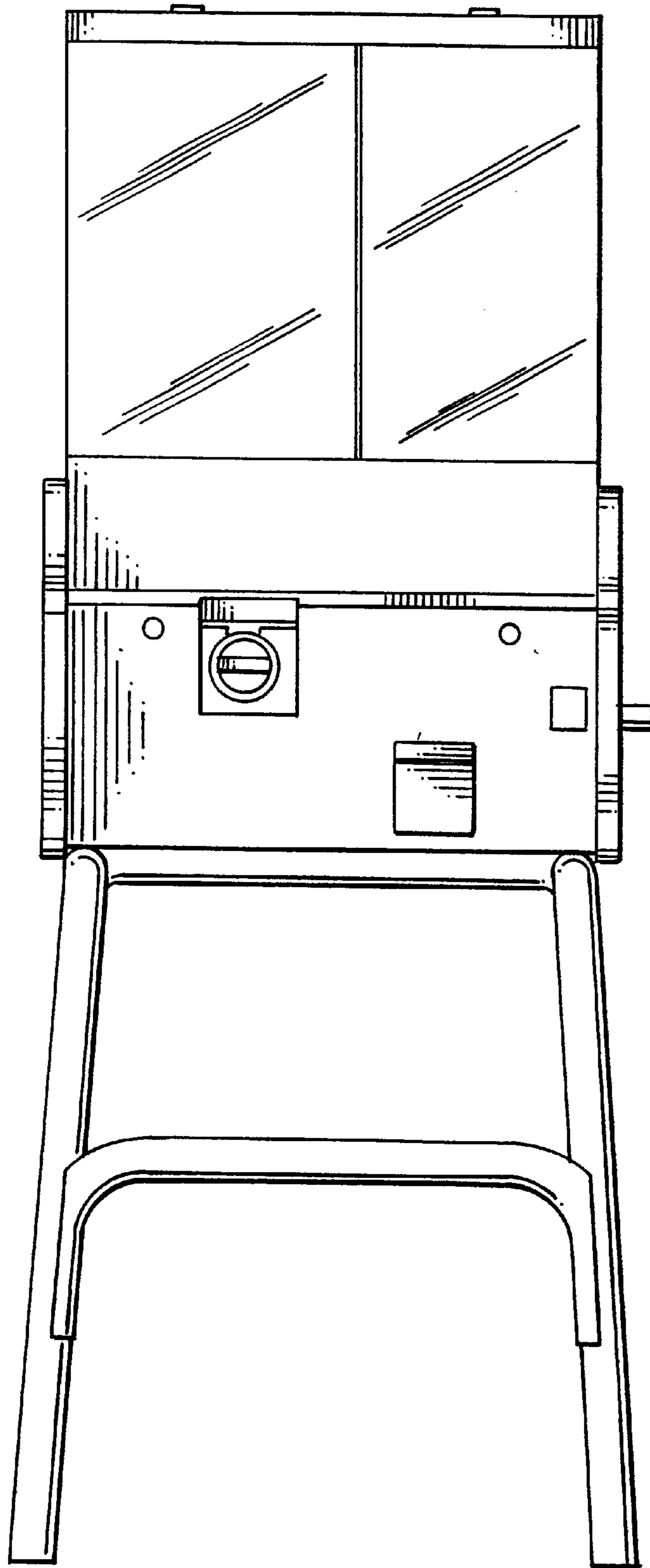
**Fig. 1**



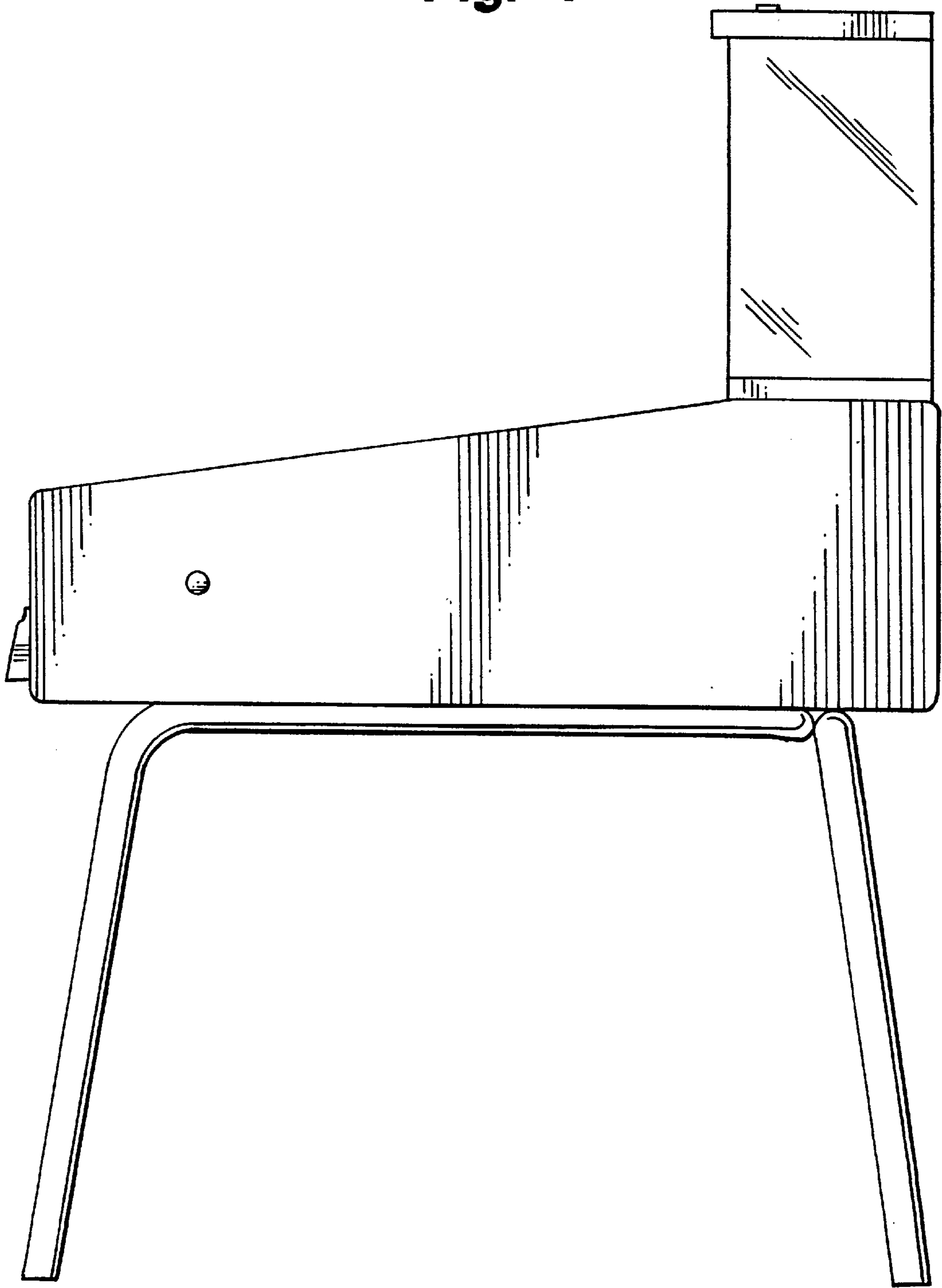
**Fig. 2**



**Fig. 3**



**Fig. 4**



**Fig. 5**

