



US00D448045B1

(12) **United States Design Patent**
Ko

(10) **Patent No.:** **US D448,045 S**

(45) **Date of Patent:** **** Sep. 18, 2001**

(54) **RING BINDER HAVING A TORSIONALLY STIFFENED BLADE**
(75) Inventor: **Chung Nin Ko**, Kowloon (HK)
(73) Assignee: **Hong Kong Stationery Manufacturing Co., Ltd.**, Kowloon (HK)

5,788,390 8/1998 Law .
5,788,391 8/1998 Cheung .
5,807,006 9/1998 Cheung .
5,810,500 9/1998 Whaley .
5,836,709 11/1998 Cheung .
5,868,513 2/1999 Law .
6,109,813 8/2000 To et al. .

(**) Term: **14 Years**

* cited by examiner

(21) Appl. No.: **29/134,310**

Primary Examiner—Paula A. Mortimer
(74) *Attorney, Agent, or Firm*—Shoemaker and Mattare

(22) Filed: **Dec. 20, 2000**

(57) **CLAIM**

(51) **LOC (7) Cl.** **19-04**

The ornamental design for ring binder having a torsionally stiffened blade, as shown and described.

(52) **U.S. Cl.** **D19/27**

(58) **Field of Search** D19/22, 27, 32;
402/31, 38, 37, 36, 41

DESCRIPTION

(56) **References Cited**

U.S. PATENT DOCUMENTS

D. 389,182 1/1998 Law .
D. 389,183 1/1998 Chan .
D. 397,146 8/1998 Chan .
D. 405,113 * 2/1999 Ko D19/27
D. 430,898 9/2000 To .
2,612,169 * 9/1952 Segal 402/38

FIG. 1 is a side elevational view of a ring binder, showing my new design;
FIG. 2 is a top plan view thereof;
FIG. 3 is a bottom plan view thereof;
FIG. 4 is a bottom plan view of one blade of the binder shown separately for ease of illustration; and,
FIG. 5 is a sectional view taken on the plane 5—5 in FIG. 4.

1 Claim, 3 Drawing Sheets

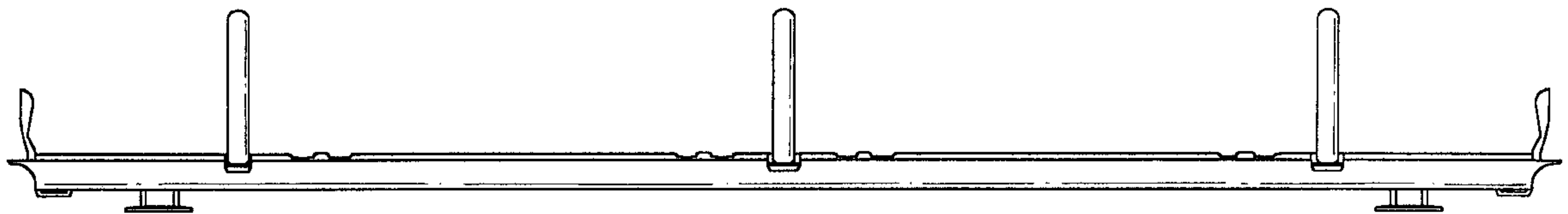


FIG. 1

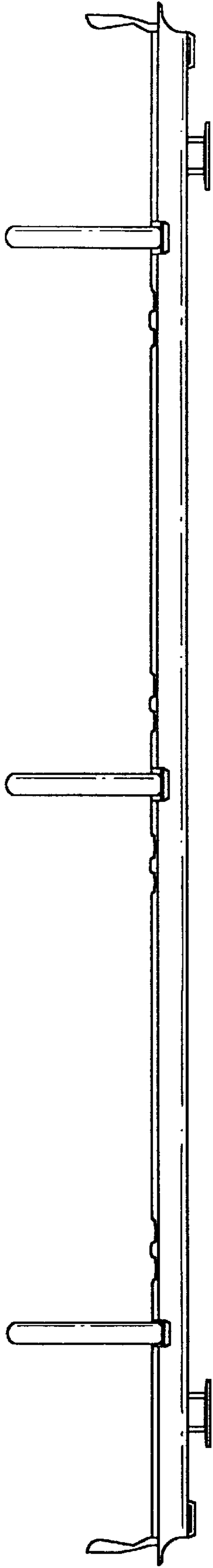


FIG. 2

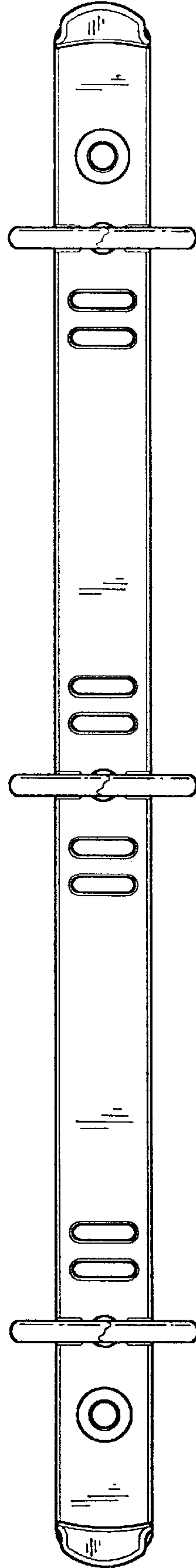


FIG. 3

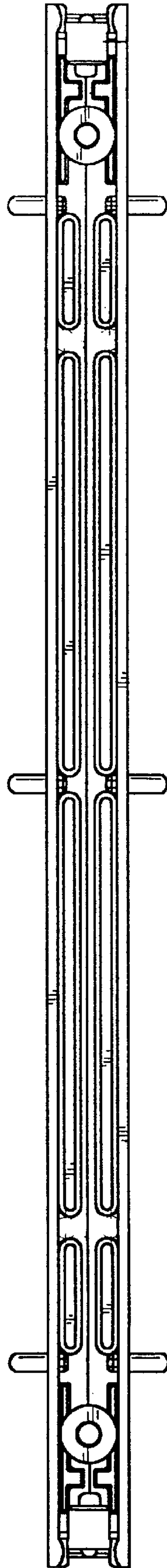


FIG. 4

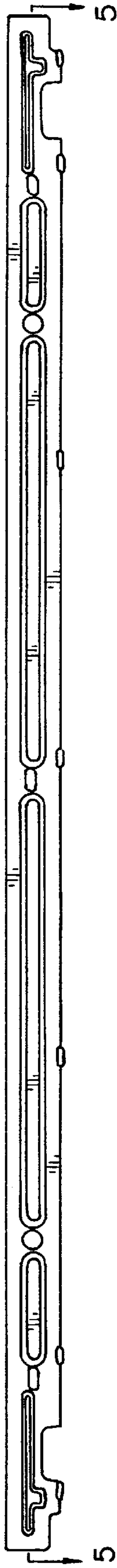


FIG. 5

