



US00D448044B1

(12) **United States Design Patent**
Wu et al.

(10) **Patent No.:** **US D448,044 S**

(45) **Date of Patent:** **** Sep. 18, 2001**

(54) **PRINTER**

(75) Inventors: **Seng Lim Wu; Chee Chuan Chew;**
Ah Chong Tee, all of Singapore (SG)

(73) Assignee: **Hewlett-Packard Company**, Palo Alto,
CA (US)

(**) Term: **14 Years**

(21) Appl. No.: **29/129,667**

(22) Filed: **Sep. 19, 2000**

(51) **LOC (7) Cl.** **14-02**

(52) **U.S. Cl.** **D18/55**

(58) **Field of Search** D18/36-39, 50,
D18/54-55; 400/613, 613.1-613.4, 690.1-690.4,
691-694; D14/462-470

(56) **References Cited**

U.S. PATENT DOCUMENTS

- D. 319,654 * 9/1991 Kobayashi et al. D18/54
- D. 343,409 * 1/1994 Kobayashi D18/50
- D. 348,899 * 7/1994 Masujima et al. D18/55
- D. 354,981 * 1/1995 Kobayashi et al. D18/54
- D. 379,197 * 5/1997 Kawahara et al. D18/54
- D. 400,572 * 11/1998 Sekine et al. D18/54
- D. 402,689 * 12/1998 Brown et al. D18/55

- D. 406,274 * 3/1999 Brown et al. D18/55
- D. 413,919 * 9/1999 Kobayashi et al. D18/54
- 4,884,904 * 12/1989 Berquist 400/120.16

* cited by examiner

Primary Examiner—Cathy Anne MacCormac

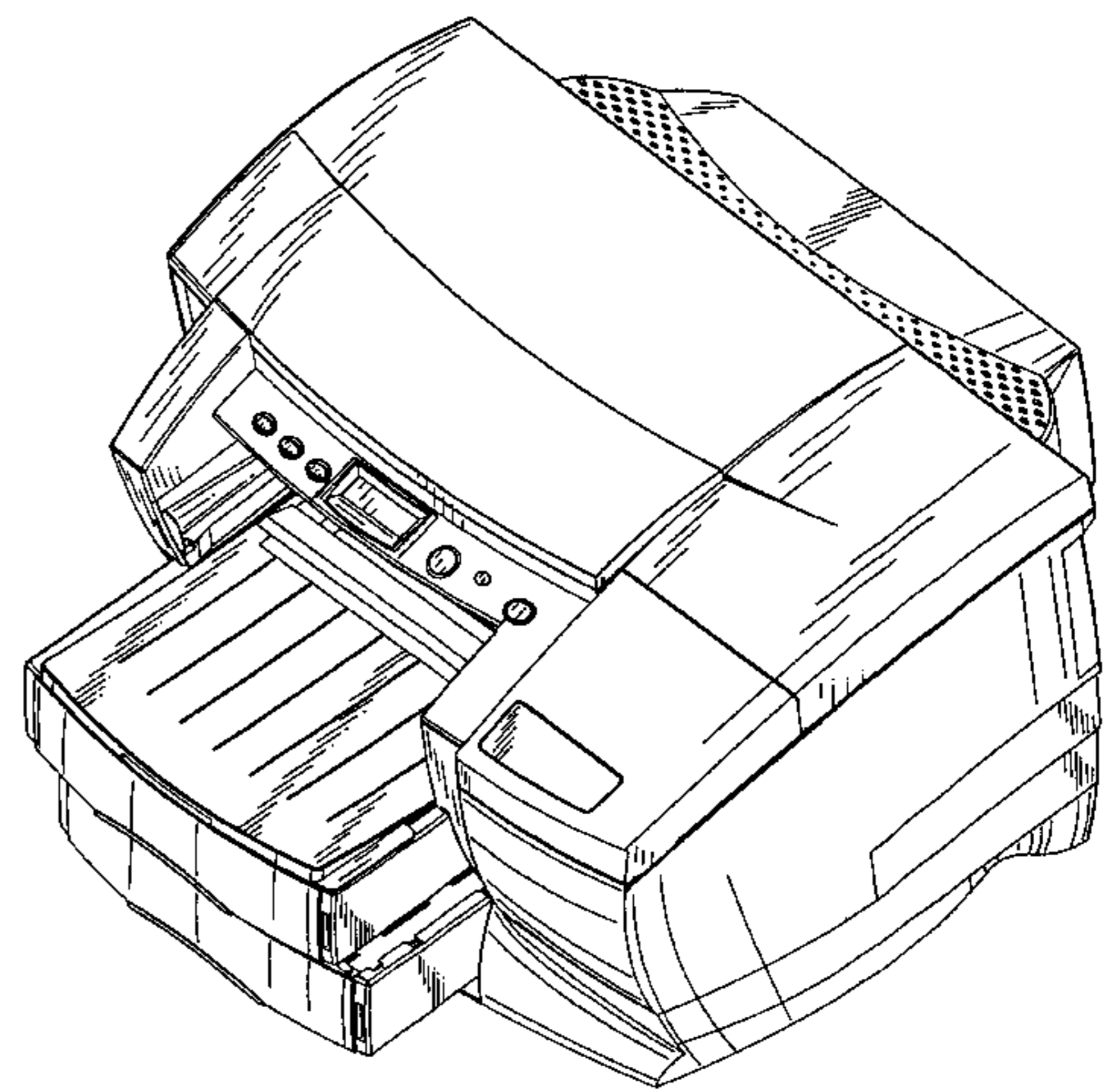
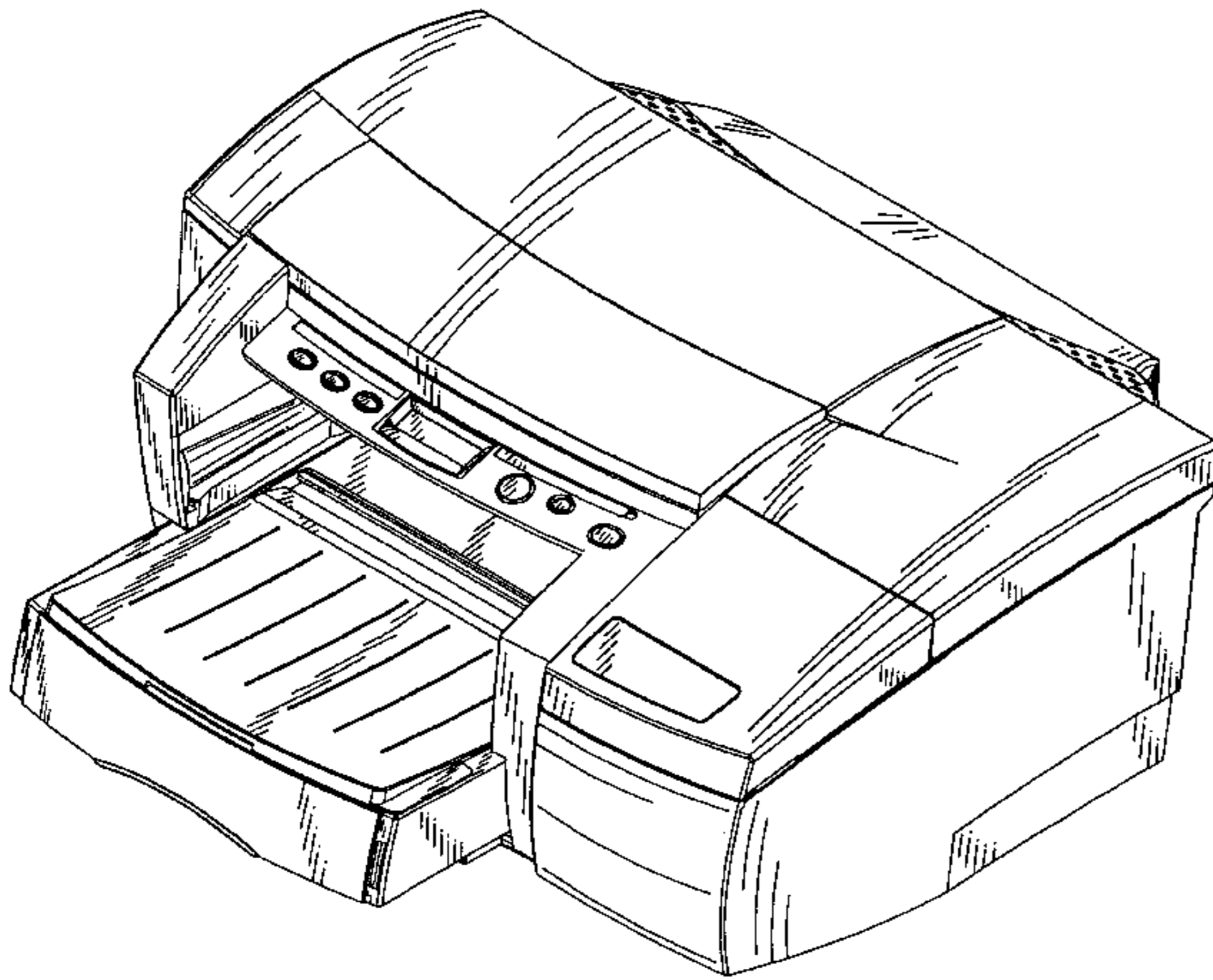
(57) **CLAIM**

The ornamental design for a printer, as shown.

DESCRIPTION

FIG. 1 is a perspective view of a printer;
 FIG. 2 is a reduced front elevation view thereof;
 FIG. 3 is reduced rear elevation view thereof;
 FIG. 4 is a top plan view thereof;
 FIG. 5 is a bottom plan view thereof;
 FIG. 6 is a left side elevation view thereof;
 FIG. 7 is a right side elevation view thereof;
 FIG. 8 is a reduced view of a second embodiment of FIG. 1,
 showing a second input tray;
 FIG. 9 is a front elevation view of FIG. 8;
 FIG. 10 is a rear elevation view of FIG. 8;
 FIG. 11 is a top plan view of FIG. 8;
 FIG. 12 is a reduced bottom plan view of FIG. 8;
 FIG. 13 is a reduced left side elevation view of FIG. 8; and,
 FIG. 14 is a reduced right side elevation view of FIG. 8.

1 Claim, 12 Drawing Sheets



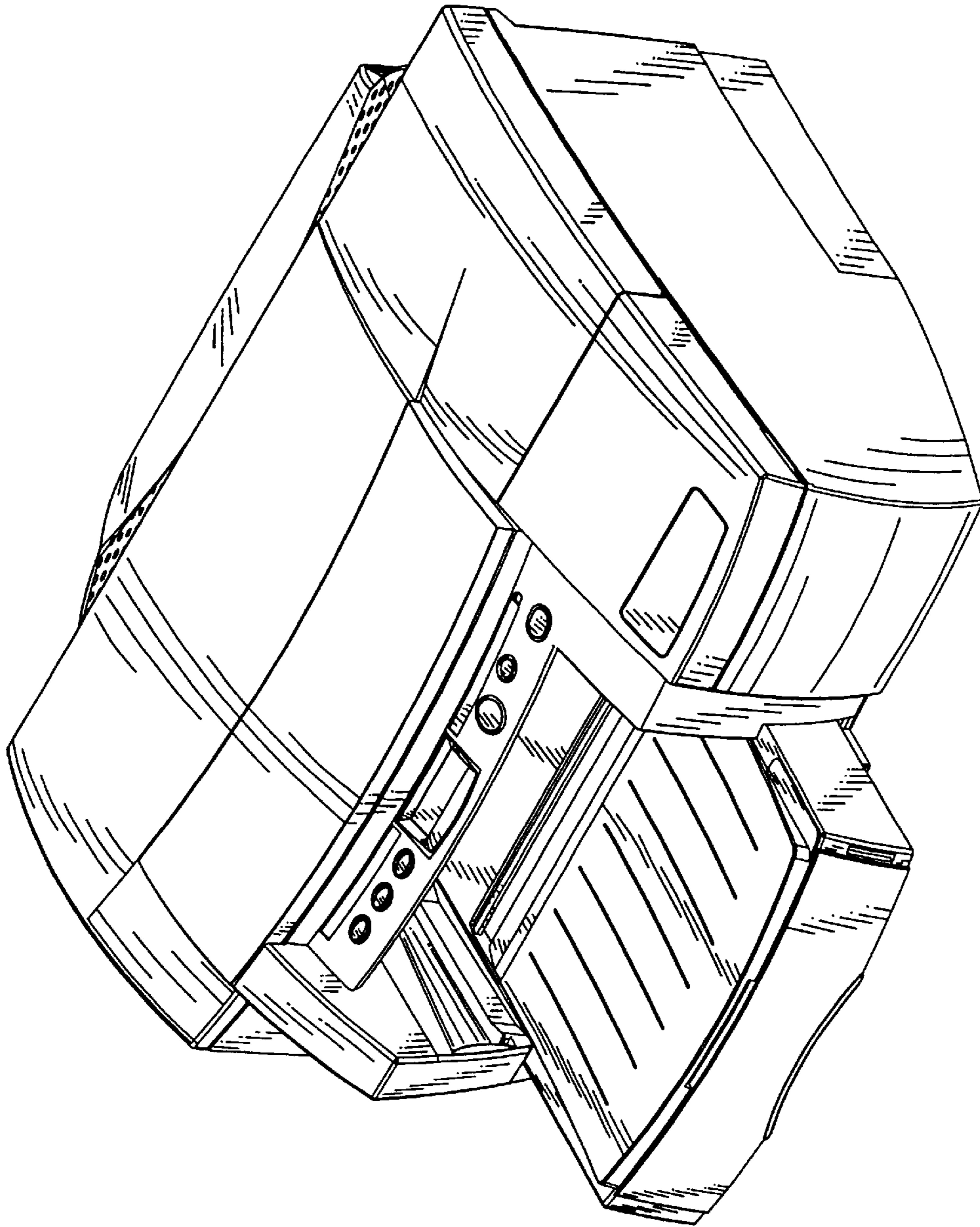


Figure 1

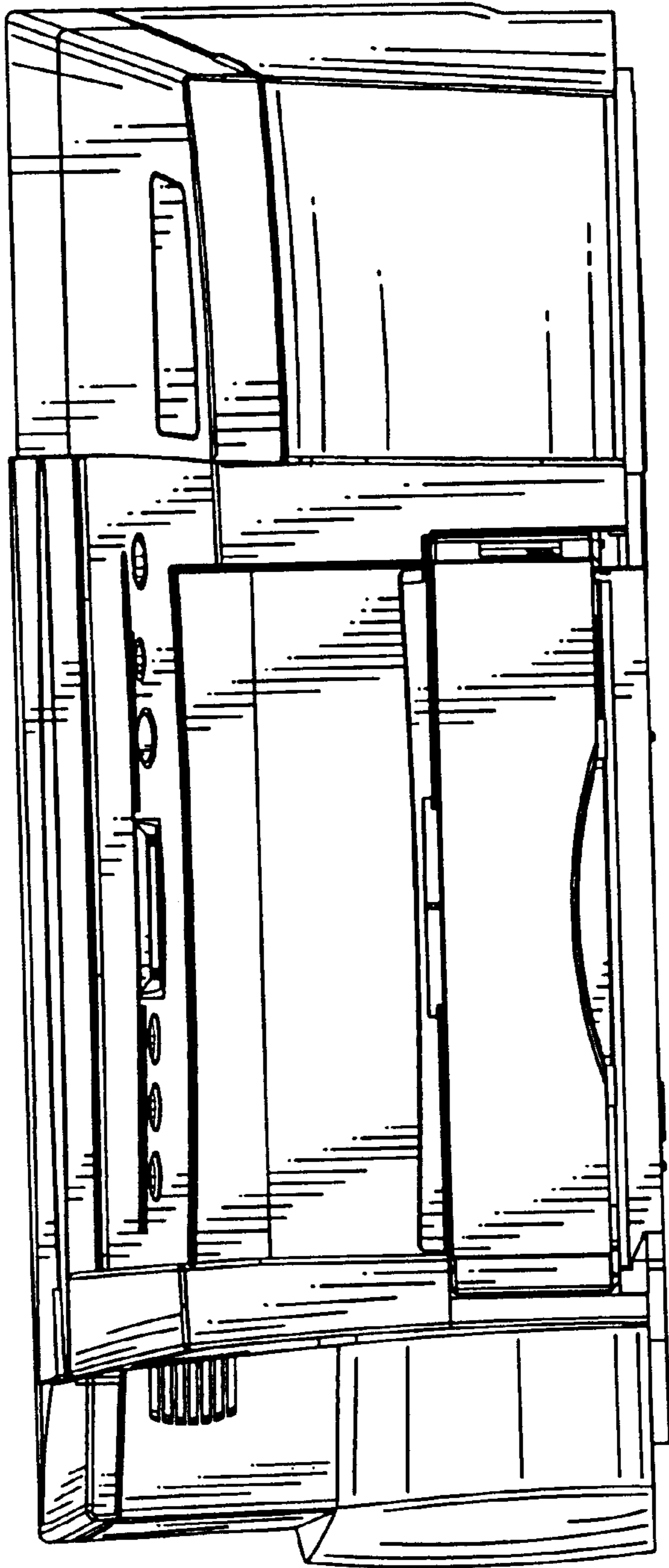


Figure 2

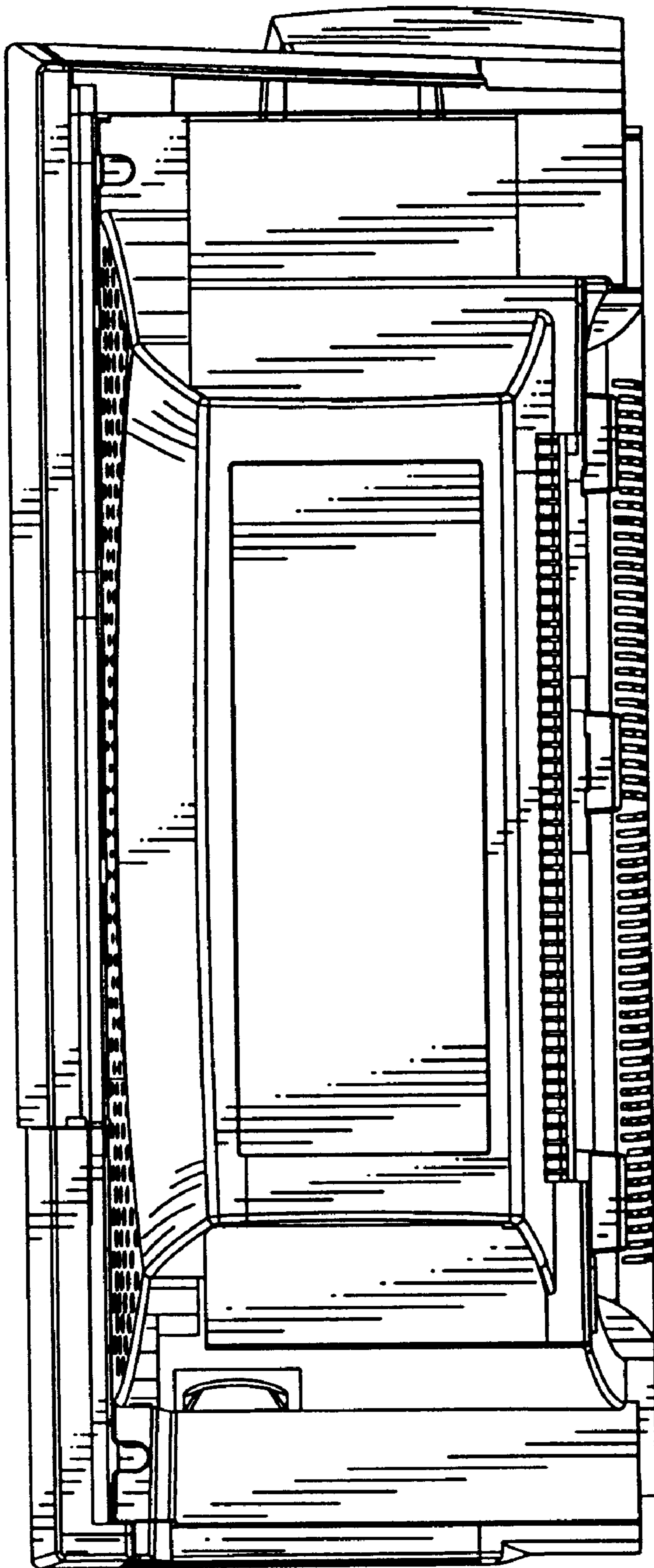


Figure 3

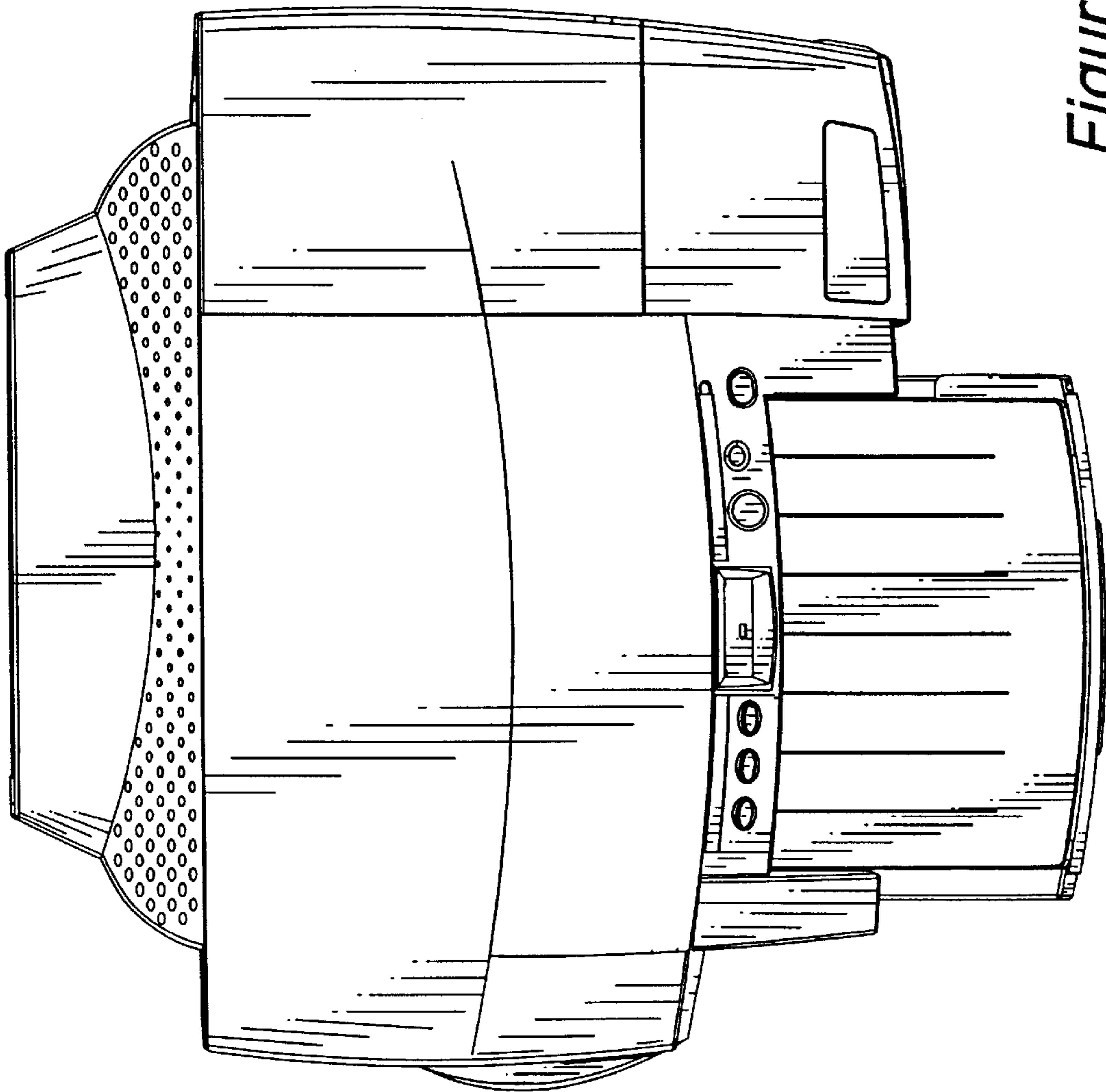


Figure 4

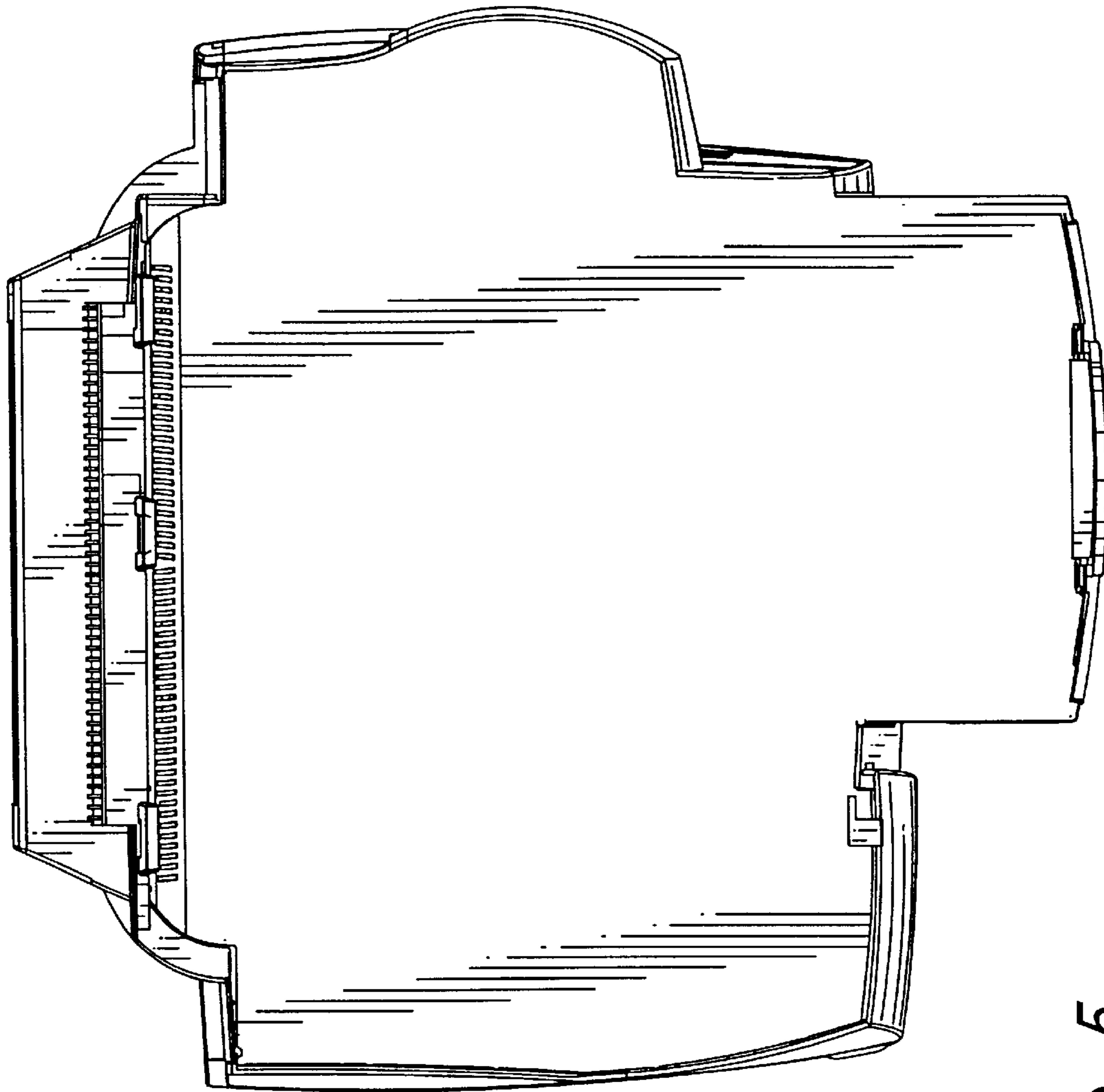


Figure 5

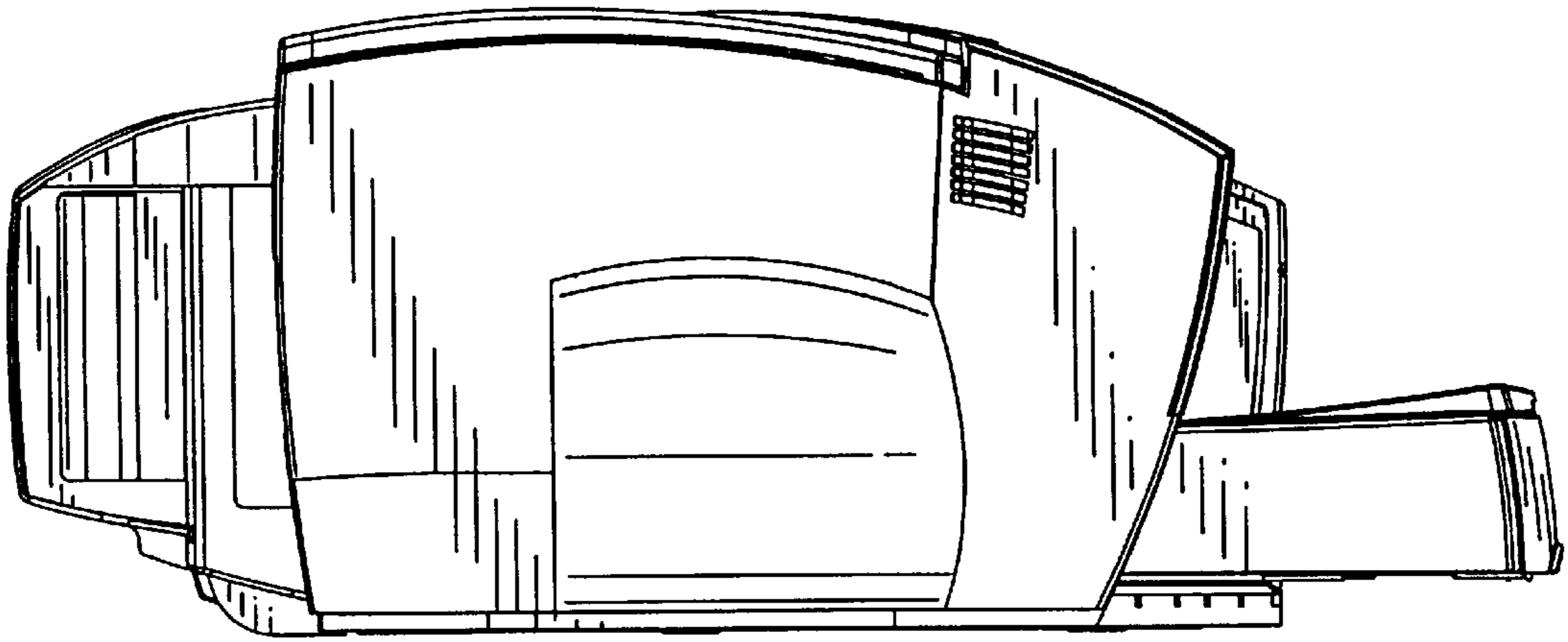


Figure 6

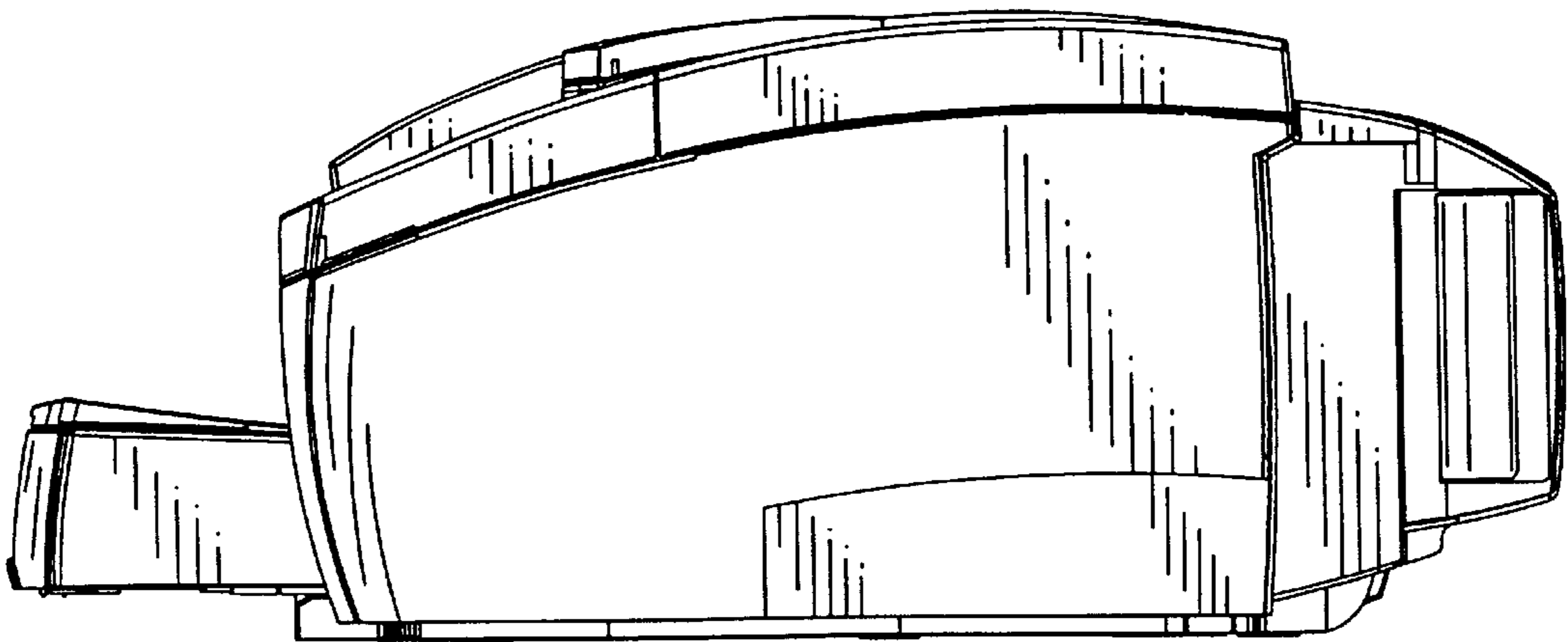


Figure 7

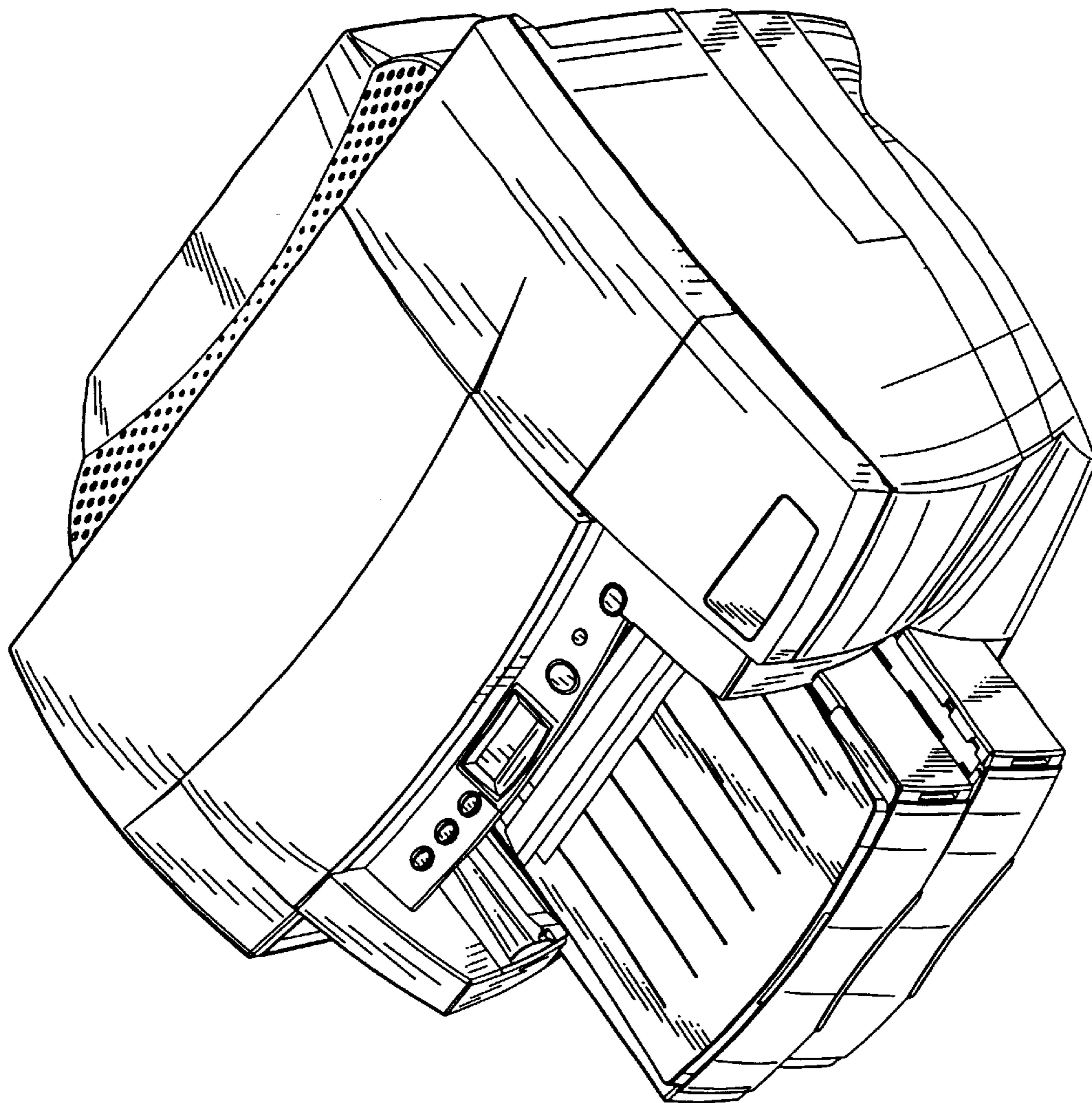


Figure 8

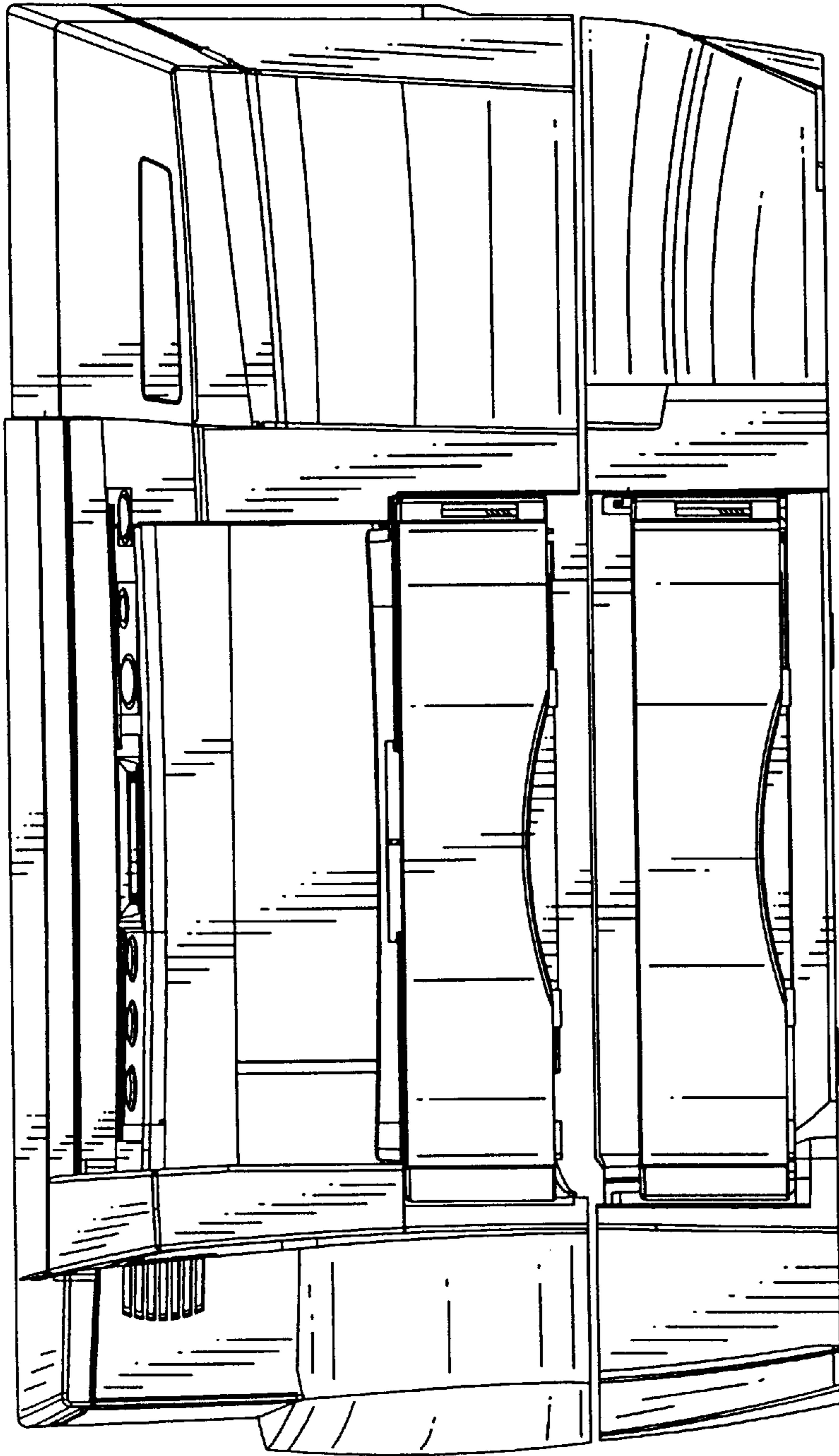


Figure 9

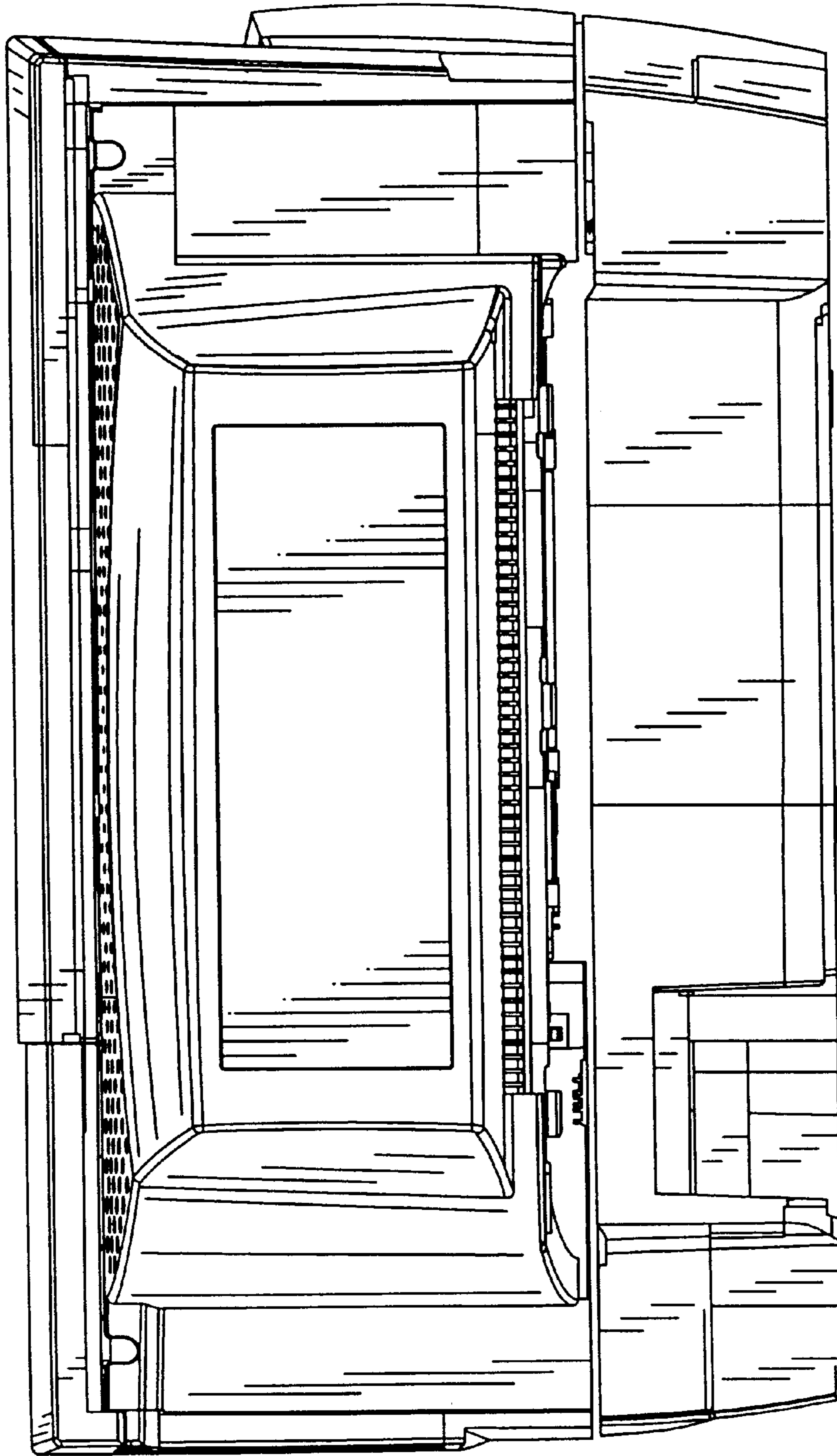


Figure 10

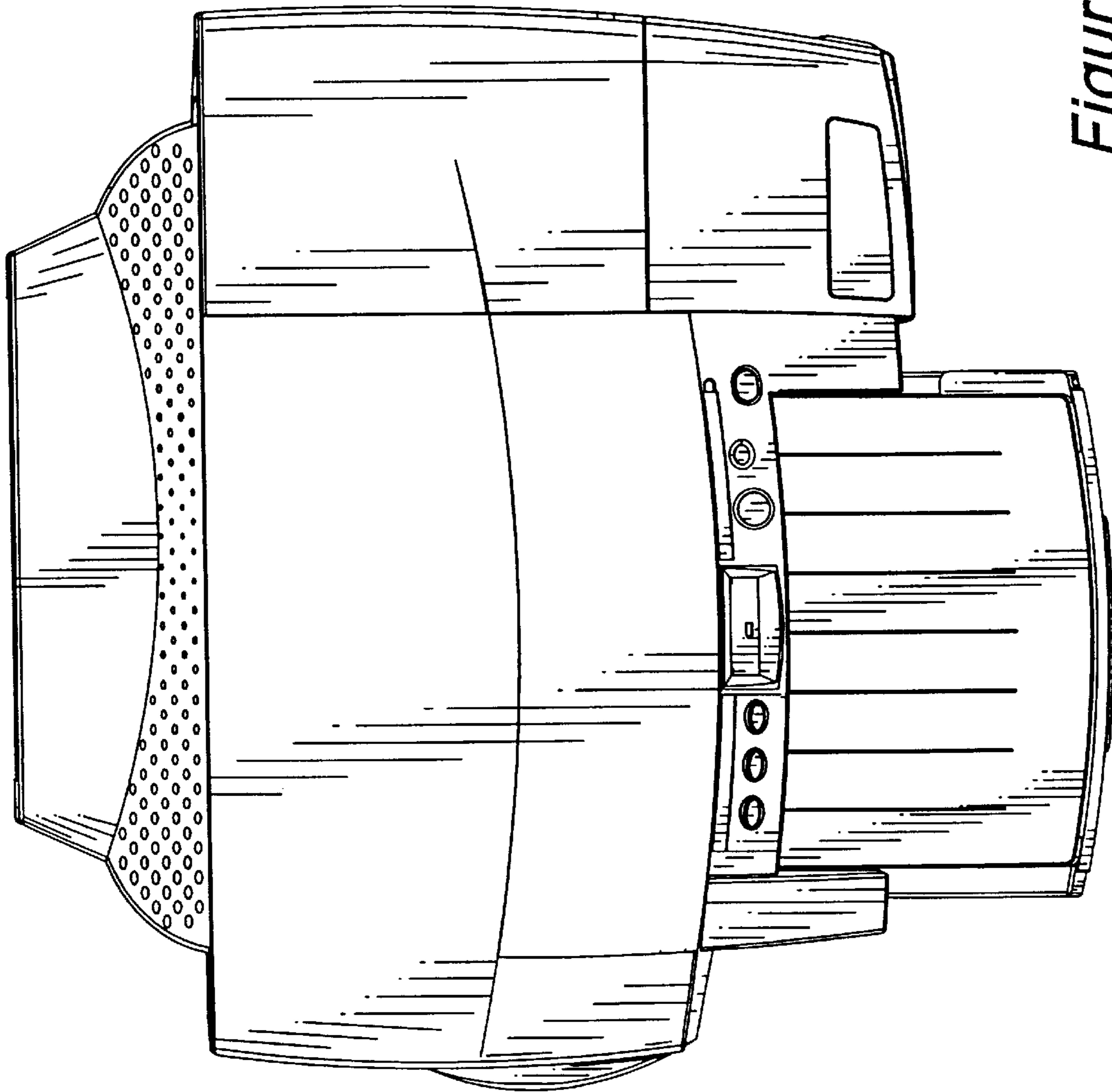


Figure 11

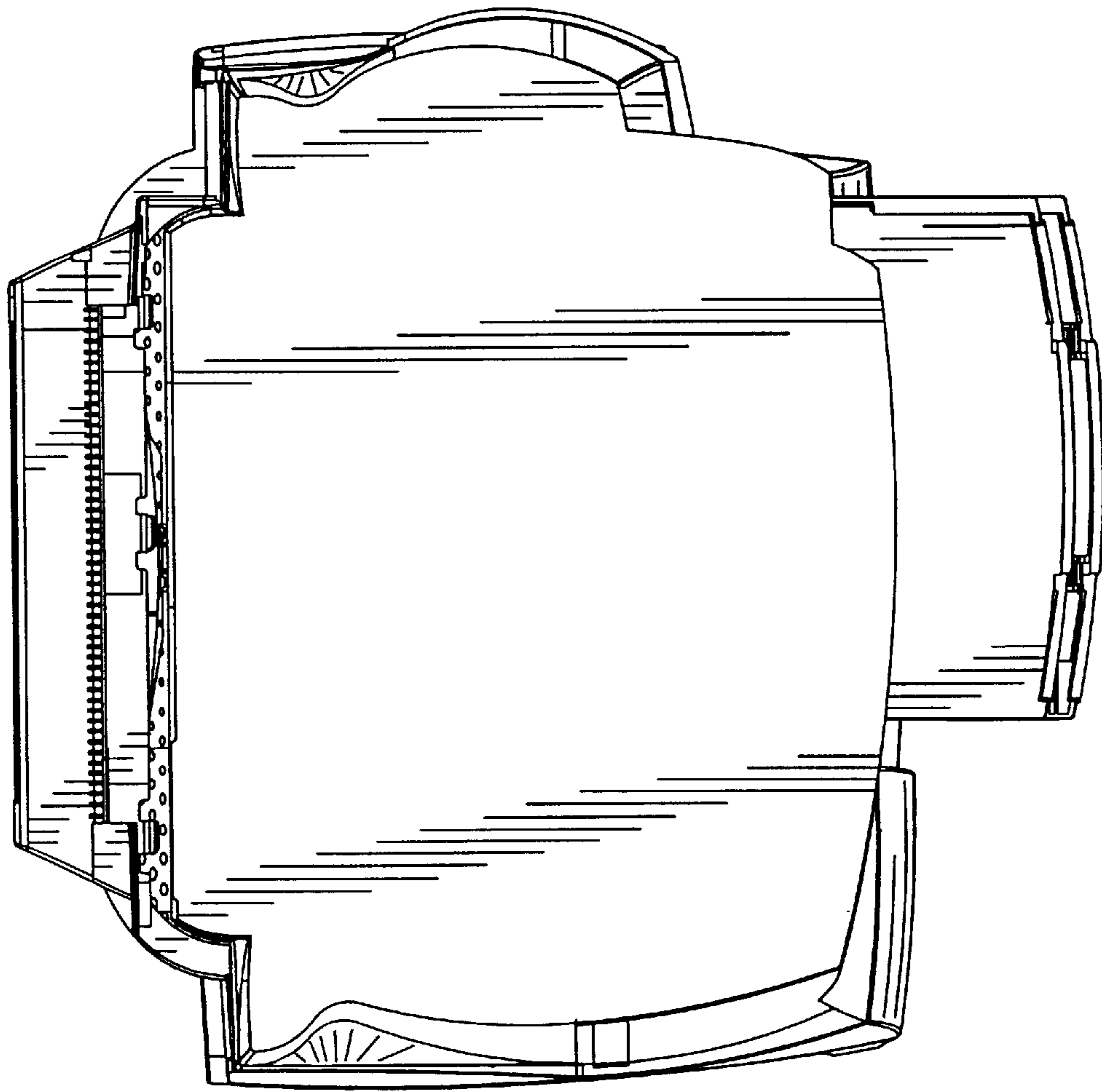


Figure 12

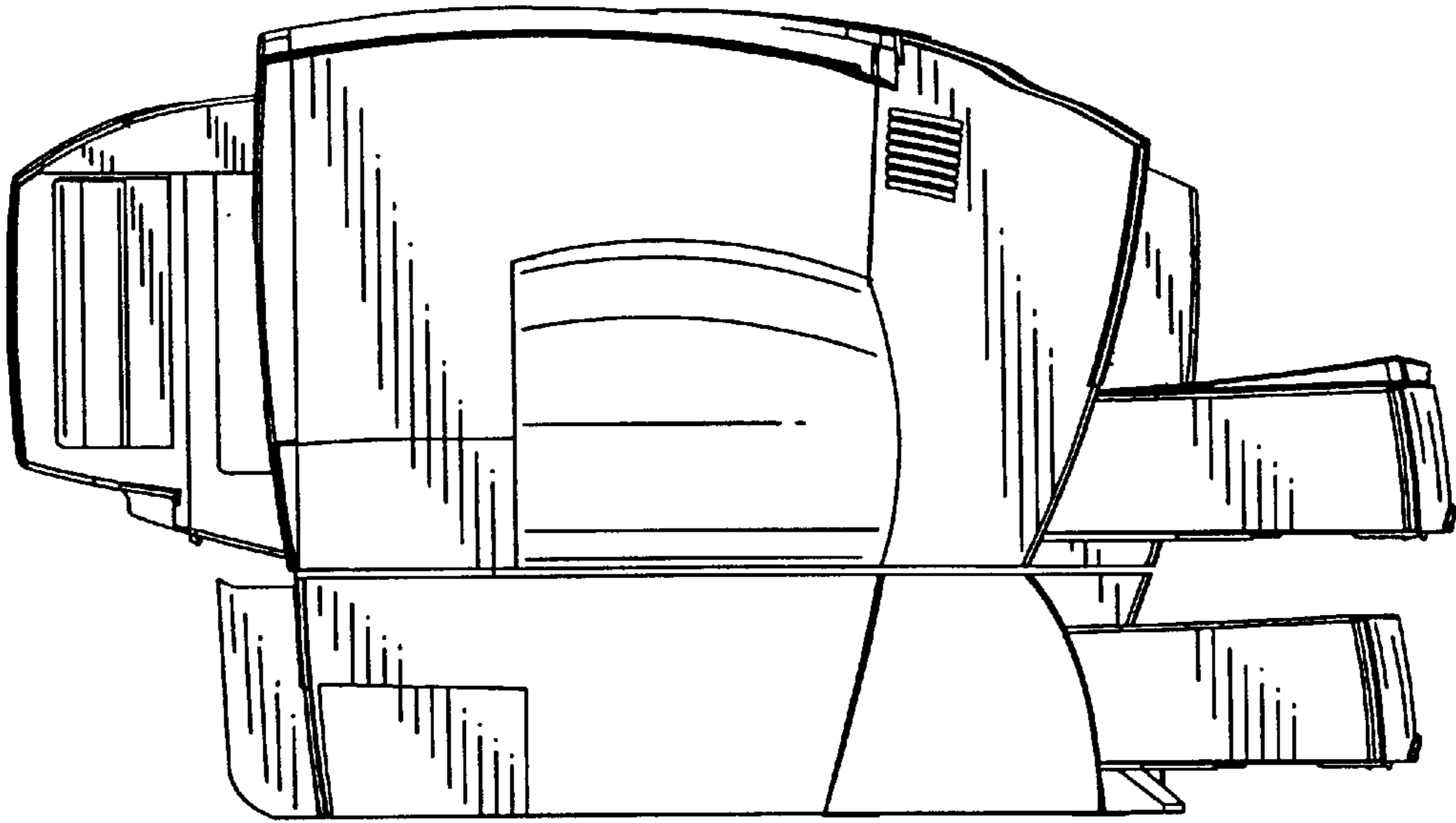


Figure 13

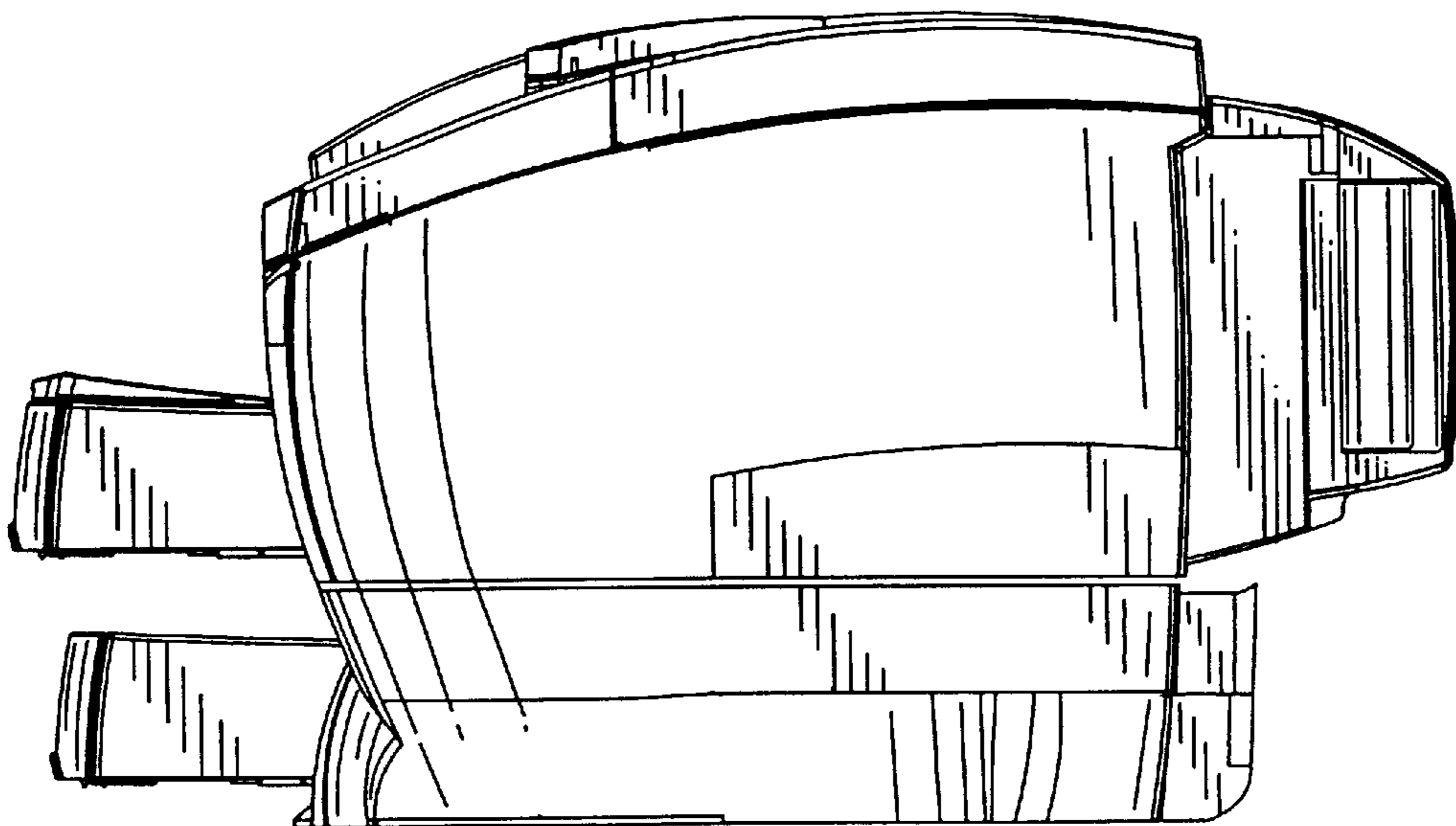


Figure 14