



US00D448042B1

(12) **United States Design Patent**  
**Hale et al.**

(10) **Patent No.:** **US D448,042 S**

(45) **Date of Patent:** **\*\* Sep. 18, 2001**

(54) **TONER CARTRIDGE FOR PRINTER**

D. 443,295 \* 6/2001 Kusanagi et al. .... D18/40  
6,226,477 \* 5/2001 Kurosawa et al. .... 399/111

(75) Inventors: **Jason Paul Hale**, Lexington; **Franklin Joseph Palumbo**, Nicholasville; **Tom E Stickler**, Lexington, all of KY (US)

\* cited by examiner

*Primary Examiner*—Caron D. Veynar

(73) Assignee: **Lexmark International, Inc.**, Lexington, KY (US)

(74) *Attorney, Agent, or Firm*—Michael T. Sanderson

(\*\*) Term: **14 Years**

(57) **CLAIM**

The ornamental design for a toner cartridge for printer, as shown and described.

(21) Appl. No.: **29/139,414**

**DESCRIPTION**

(22) Filed: **Mar. 29, 2001**

(51) **LOC (7) Cl.** ..... **16-03**

(52) **U.S. Cl.** ..... **D18/43**

(58) **Field of Search** ..... D18/40, 43, 56;  
399/24, 25, 27, 262, 111; 222/DIG. 1

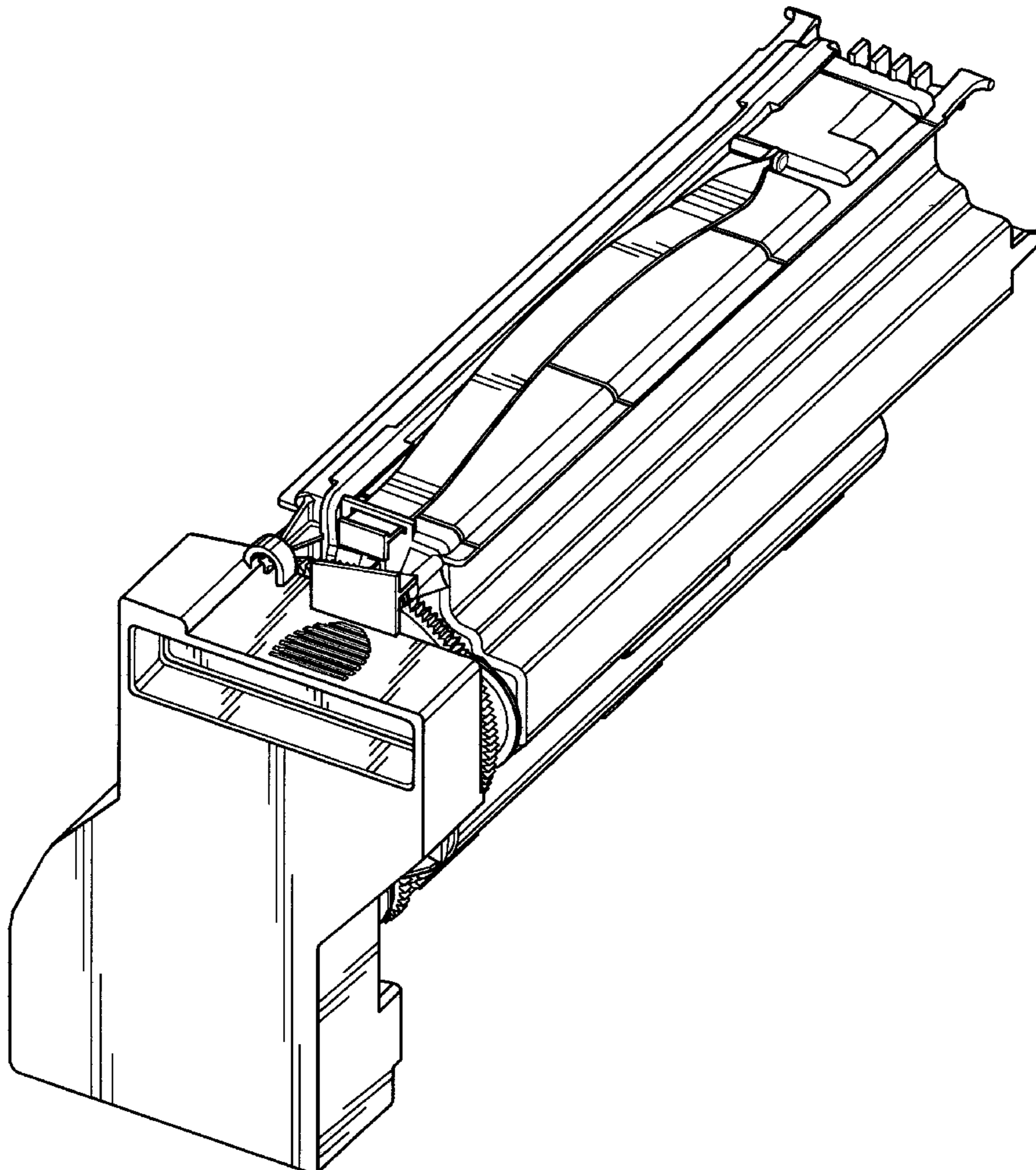
FIG. 1 is a top, front right side perspective view of a toner cartridge for printer in accordance with our new design; FIG. 2 is a top view thereof; FIG. 3 is a bottom view thereof; FIG. 4 is a left side view thereof; FIG. 5 is a right side view thereof; FIG. 6 is a front view thereof; and, FIG. 7 is a rear view thereof.

(56) **References Cited**

**U.S. PATENT DOCUMENTS**

D. 398,633 \* 9/1998 Hashizume et al. .... D18/40

**1 Claim, 7 Drawing Sheets**



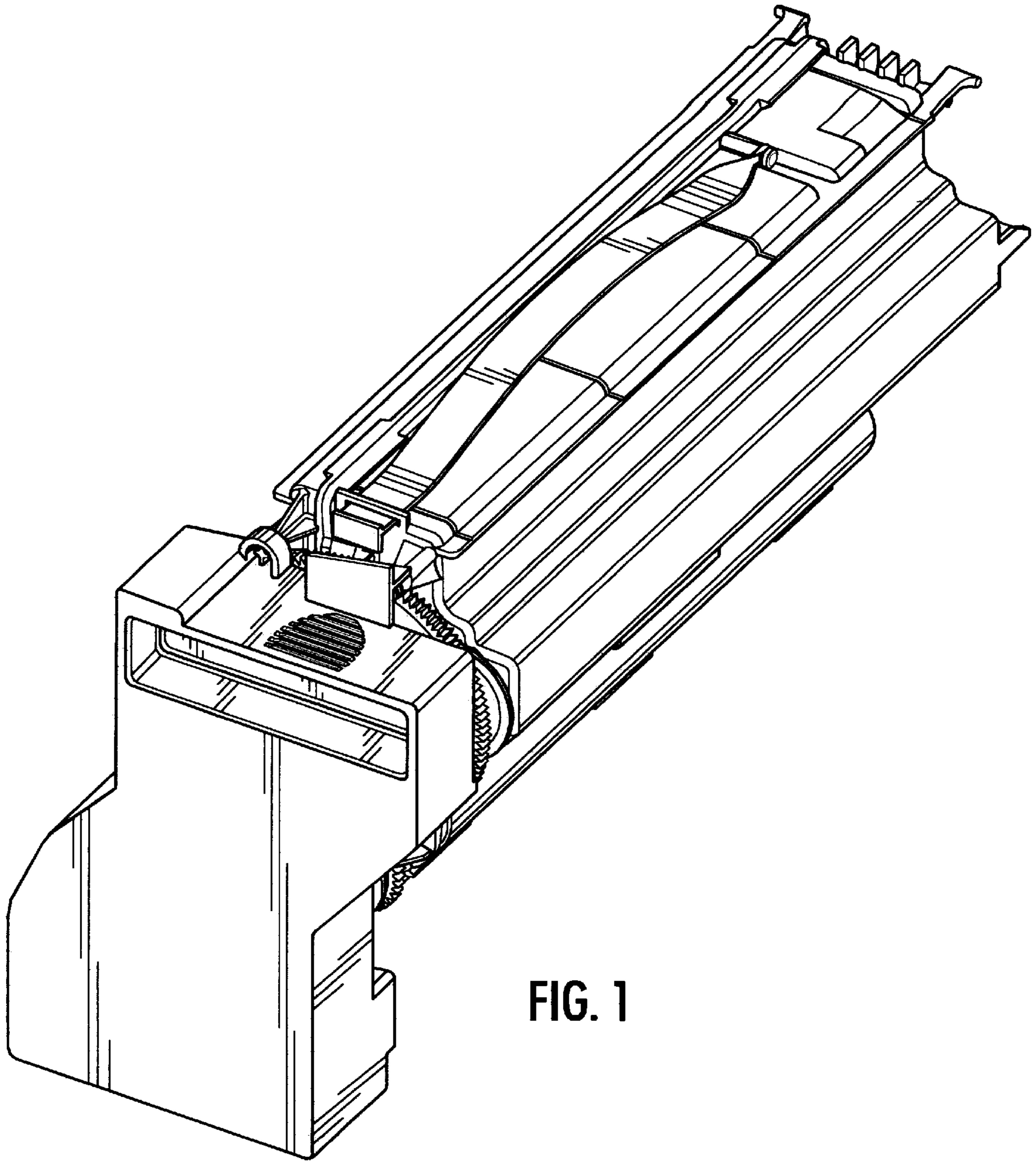


FIG. 1

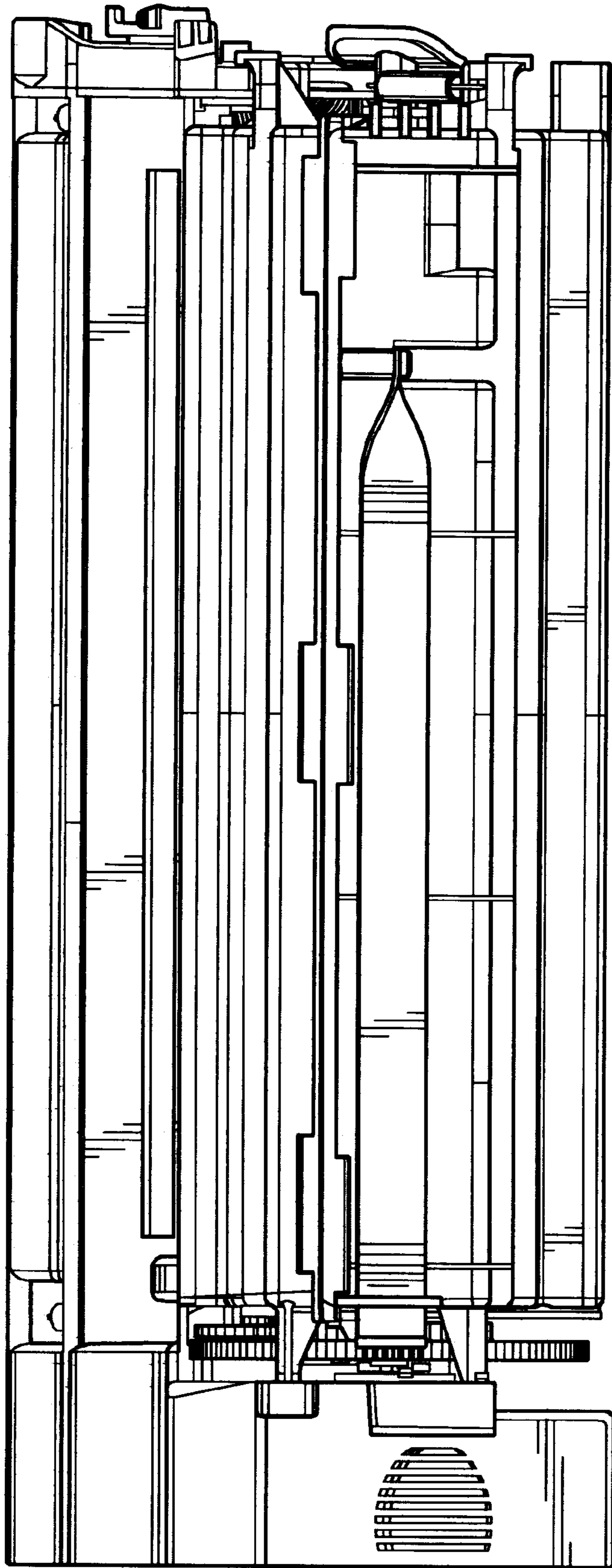


FIG. 2

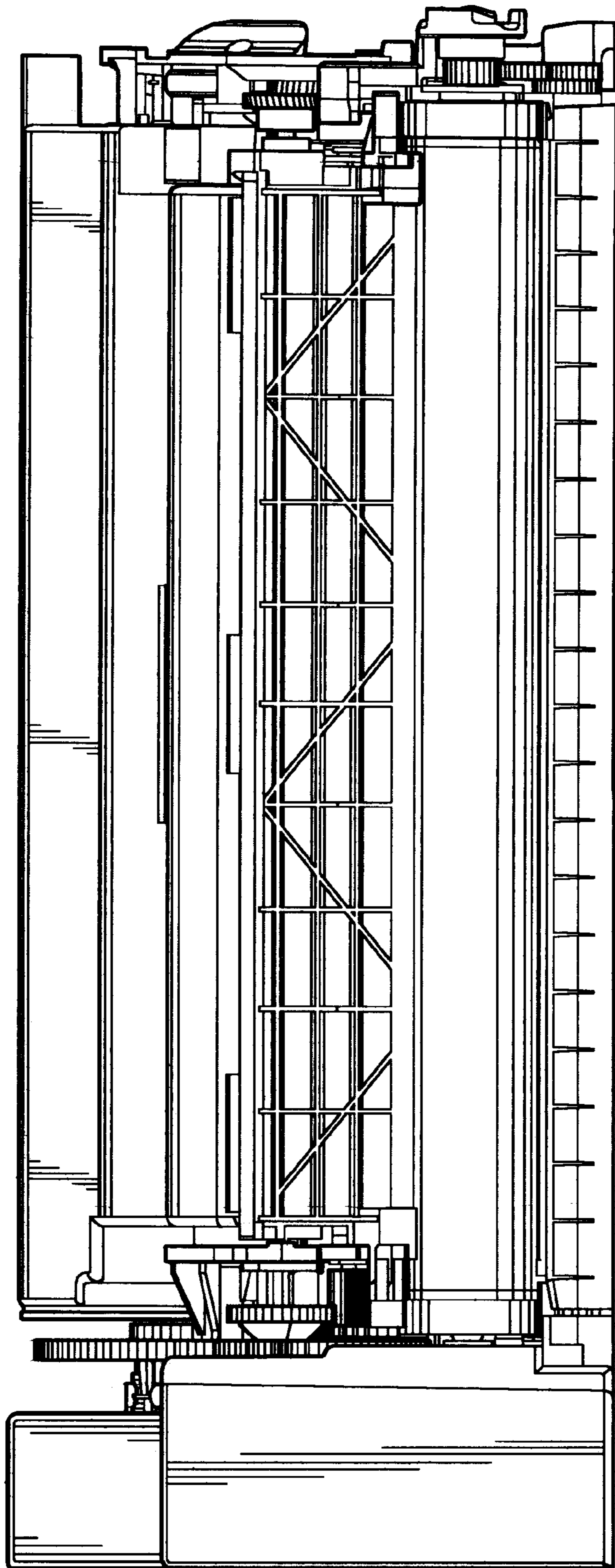


FIG. 3

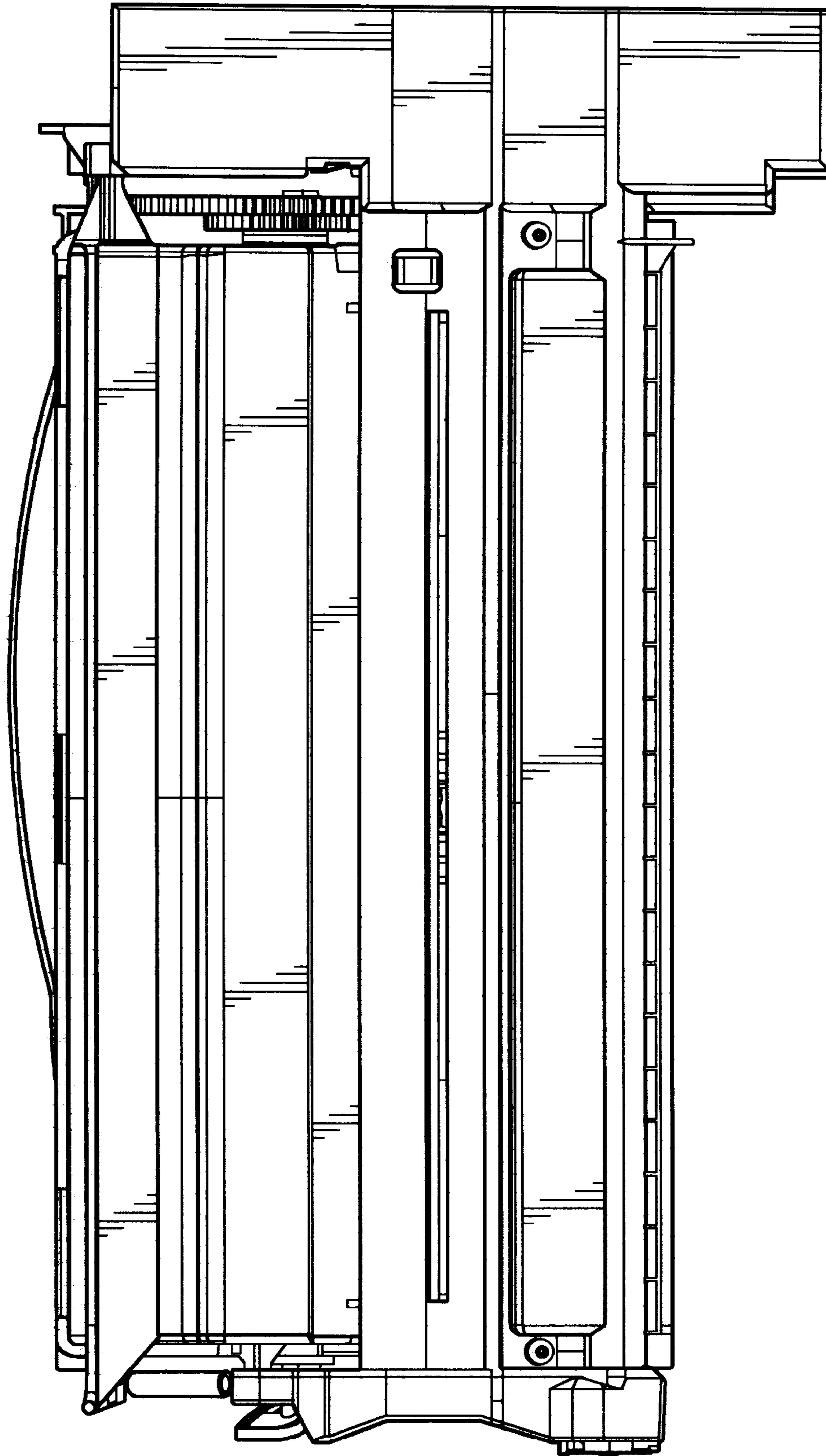


FIG. 4

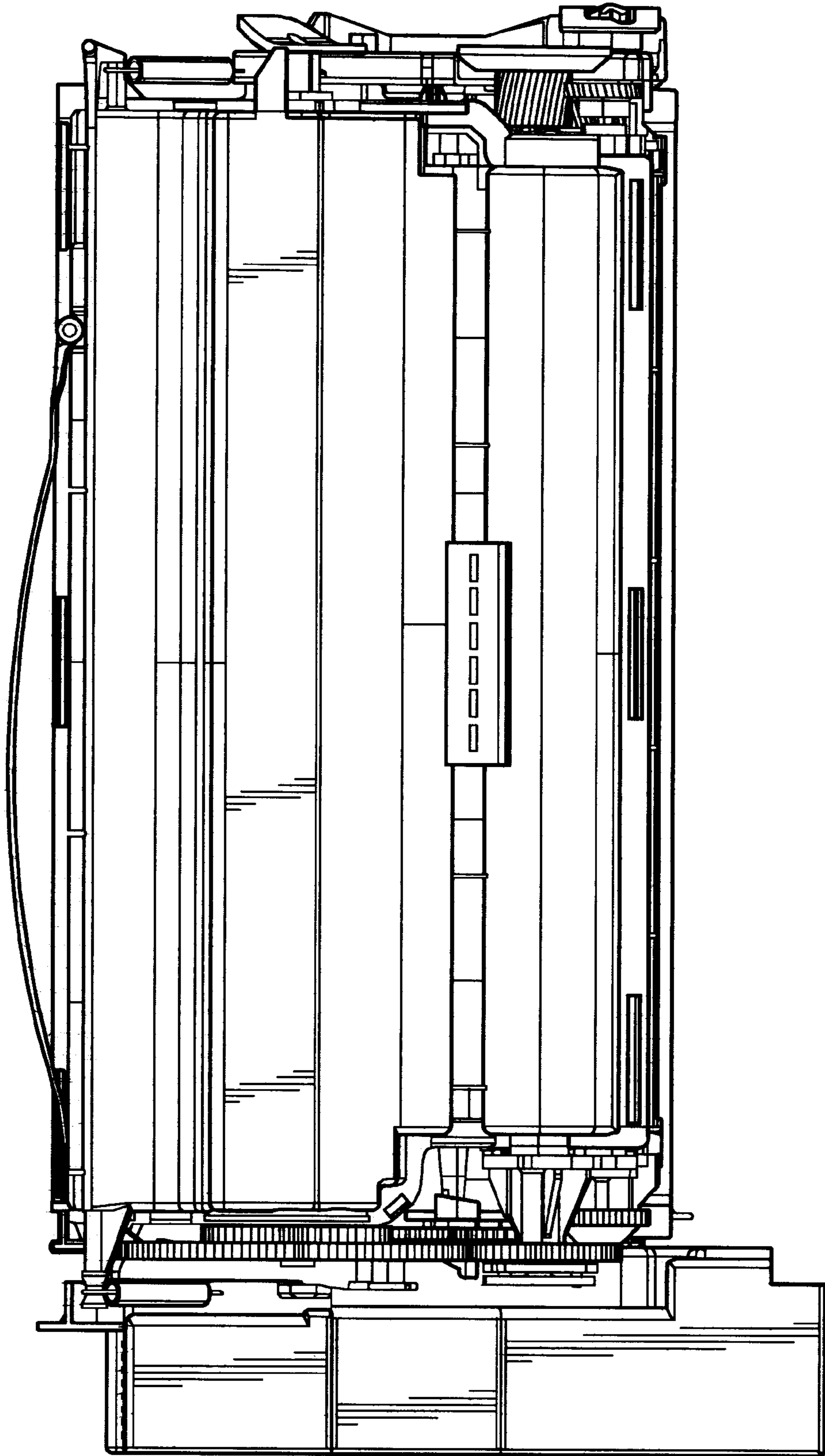


FIG. 5

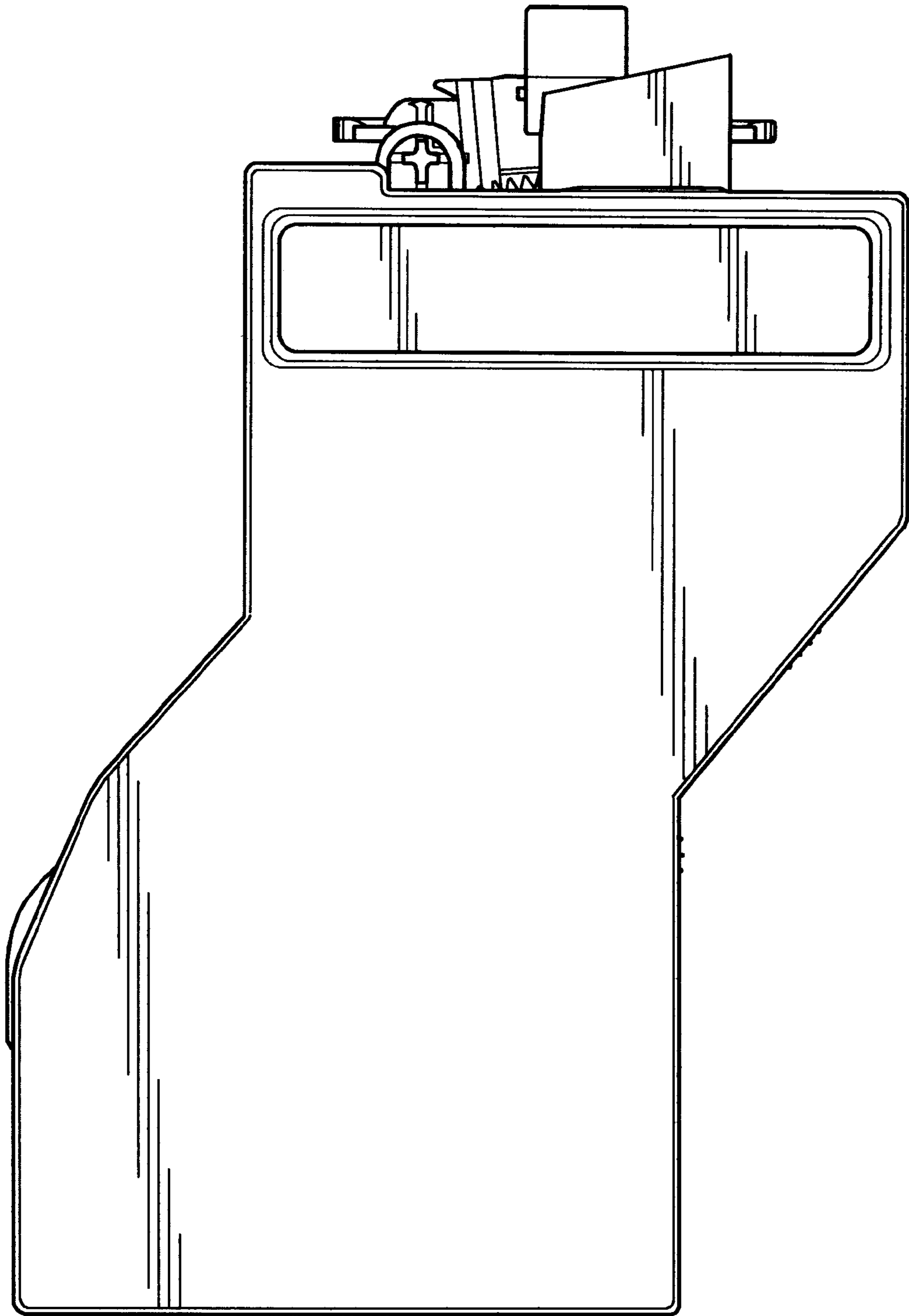


FIG. 6

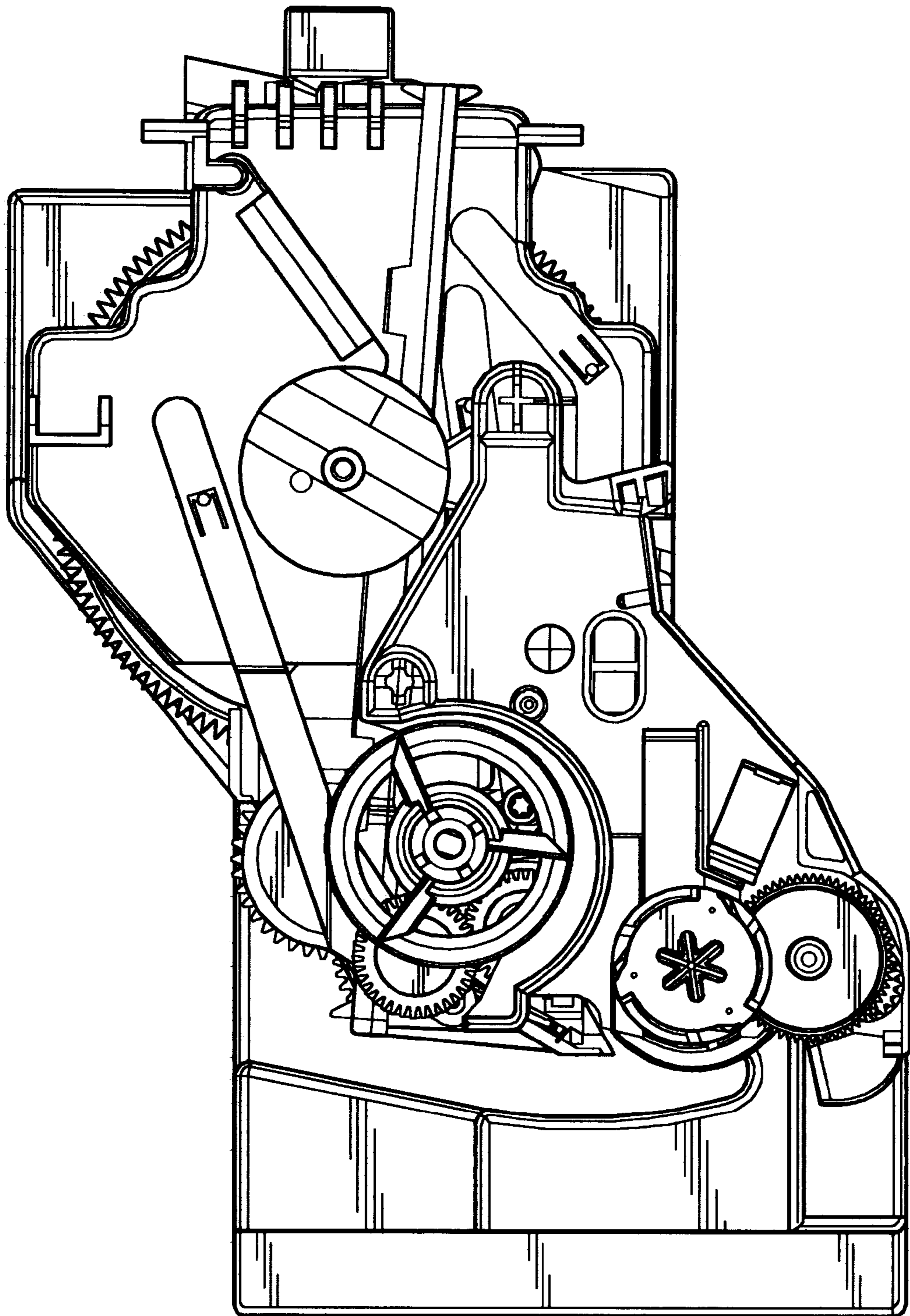


FIG. 7