



US00D448041B1

(12) **United States Design Patent**
Pichler et al.

(10) **Patent No.:** **US D448,041 S**

(45) **Date of Patent:** **** Sep. 18, 2001**

(54) **STAMP**

D. 364,641 * 11/1995 Osterhout D19/36

(75) Inventors: **Wolfgang Pichler, Wels; Alexander Nikolaus Pelzl, Graz, both of (AT)**

OTHER PUBLICATIONS

(73) Assignee: **TrodaT GmbH, Wels (AT)**

Guernsey Office Products 2001 Catalog p. 997 item A "XpeDater".*

(**) Term: **14 Years**

Guernsey Office Products 2001 Catalog p. 1001 item B "Xstamper".*

(21) Appl. No.: **29/127,202**

* cited by examiner

(22) Filed: **Aug. 1, 2000**

Primary Examiner—Alan P. Douglas

Assistant Examiner—Clare E. Heflin

(30) **Foreign Application Priority Data**

(74) *Attorney, Agent, or Firm*—Karl Hormann

Feb. 2, 2000 (AT) MU 408/2000

(57) **CLAIM**

(51) **LOC (7) Cl.** **19-02**

The ornamental design for a stamp, as shown and described.

(52) **U.S. Cl.** **D18/15**

DESCRIPTION

(58) **Field of Search** D18/14-18; D19/70, D19/9, 12, 36; 118/264, 268; 101/103, 125, 327, 333, 334, 368, 371-373, 376, 405, 406

FIG. 1 is a perspective view of the stamp showing our new design;

FIG. 2 is a side view thereof;

FIG. 3 is a side view thereof shown on an enlarged scale and rotated 90 degrees;

FIG. 4 is top view of the stamp shown in FIG. 3; and,

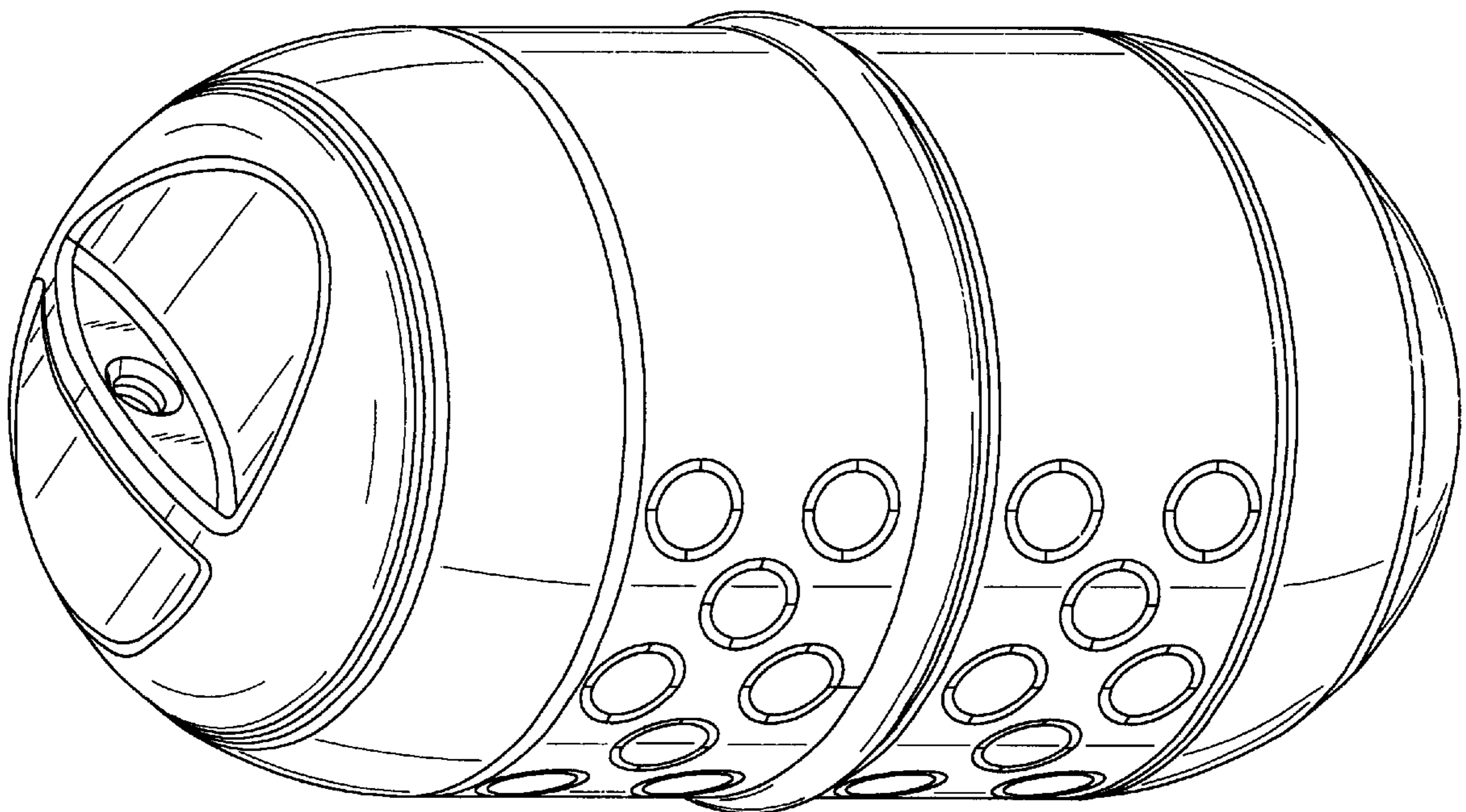
FIG. 5 is a bottom view of the stamp shown in FIG. 3.

(56) **References Cited**

U.S. PATENT DOCUMENTS

D. 338,239 * 8/1993 Hochfeld D19/82

1 Claim, 5 Drawing Sheets



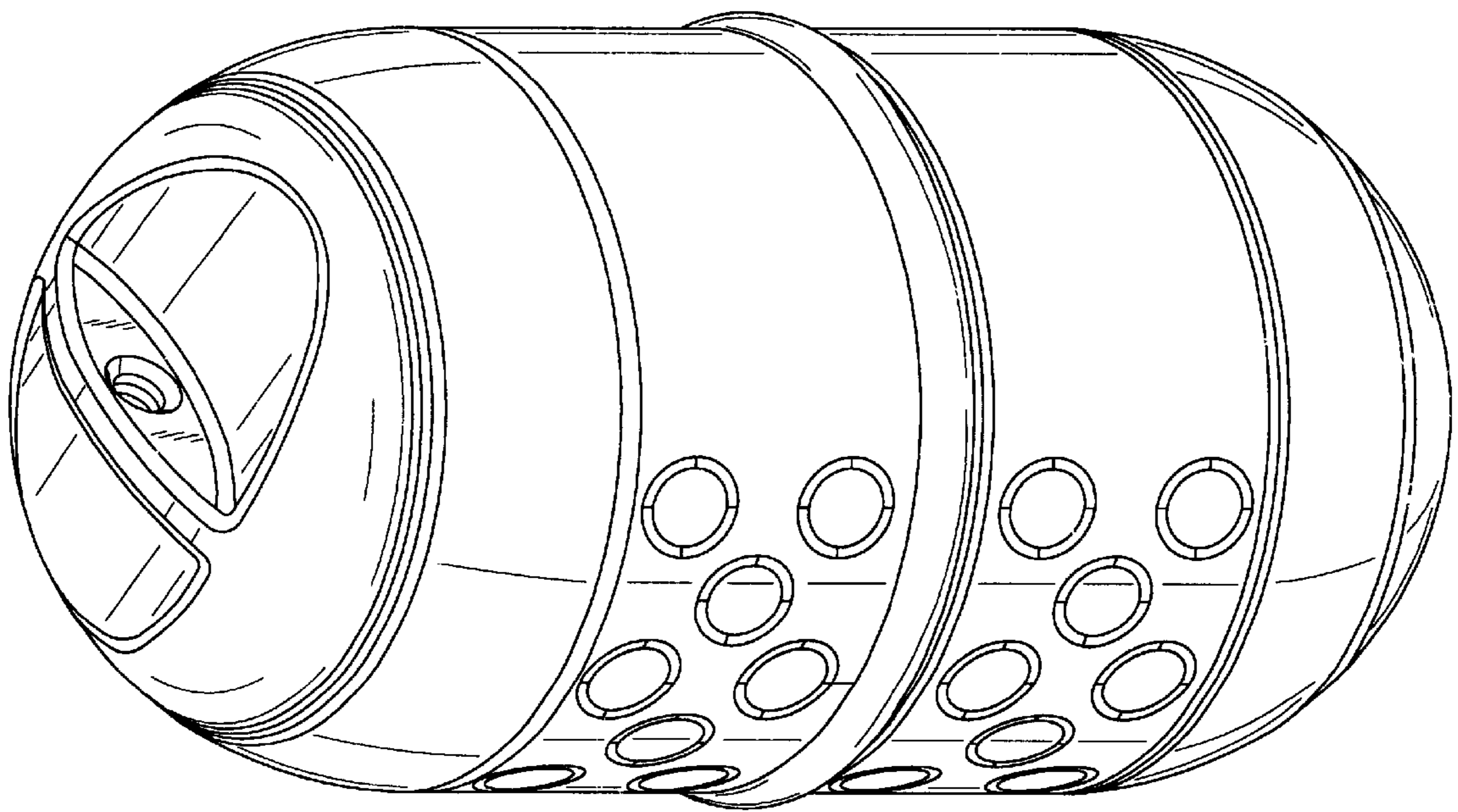


FIG. 1

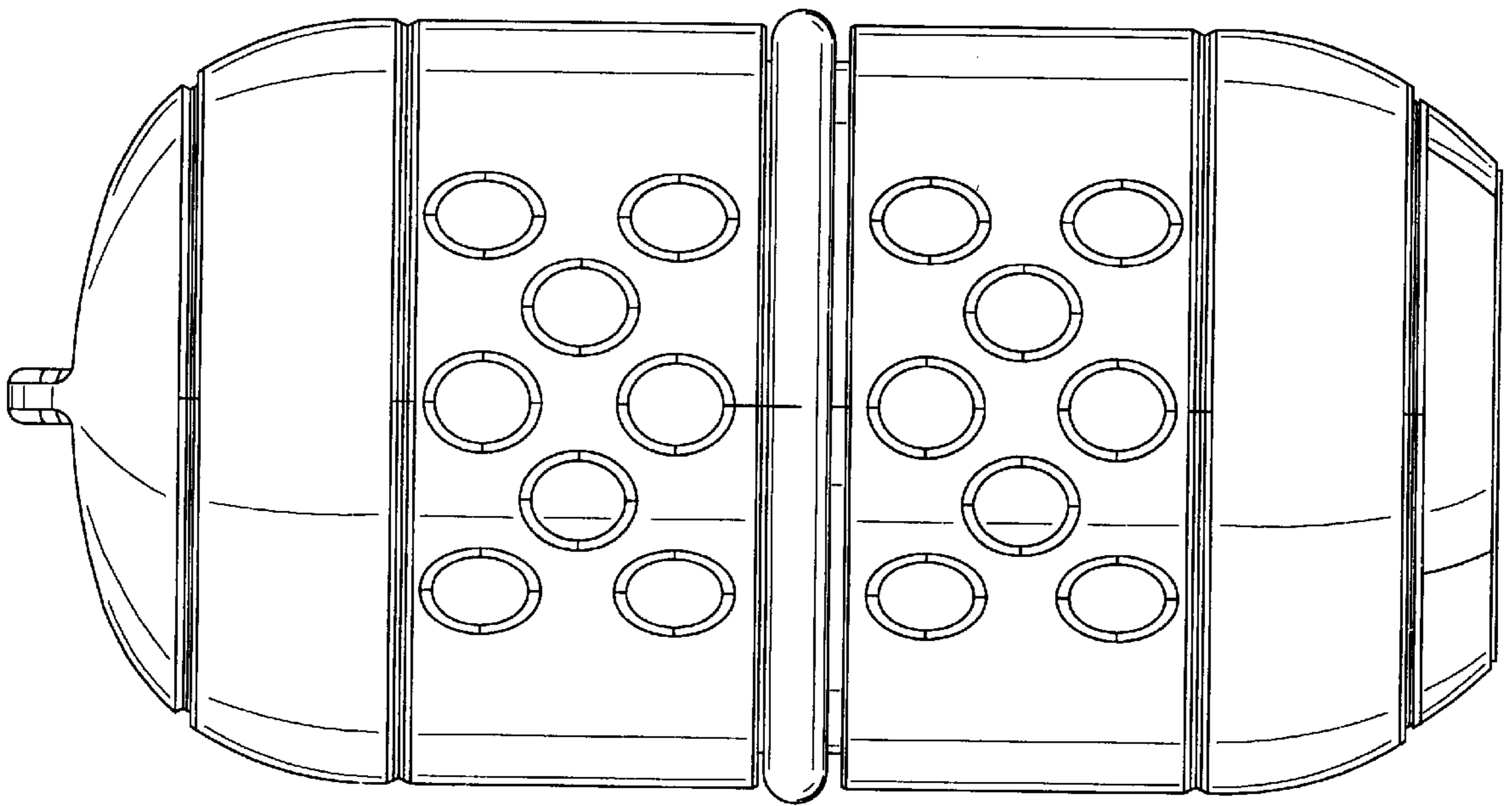


FIG. 2

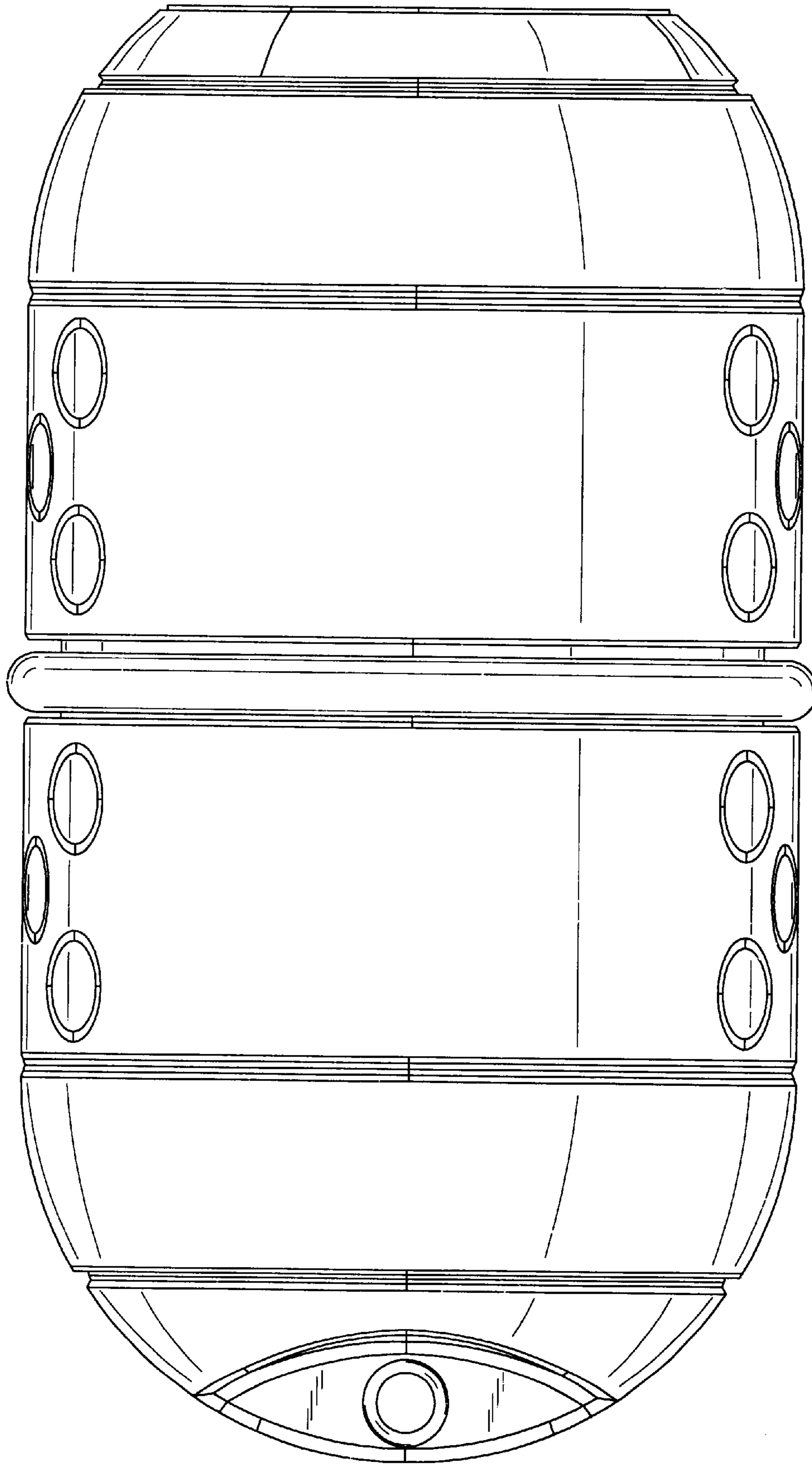


FIG. 3

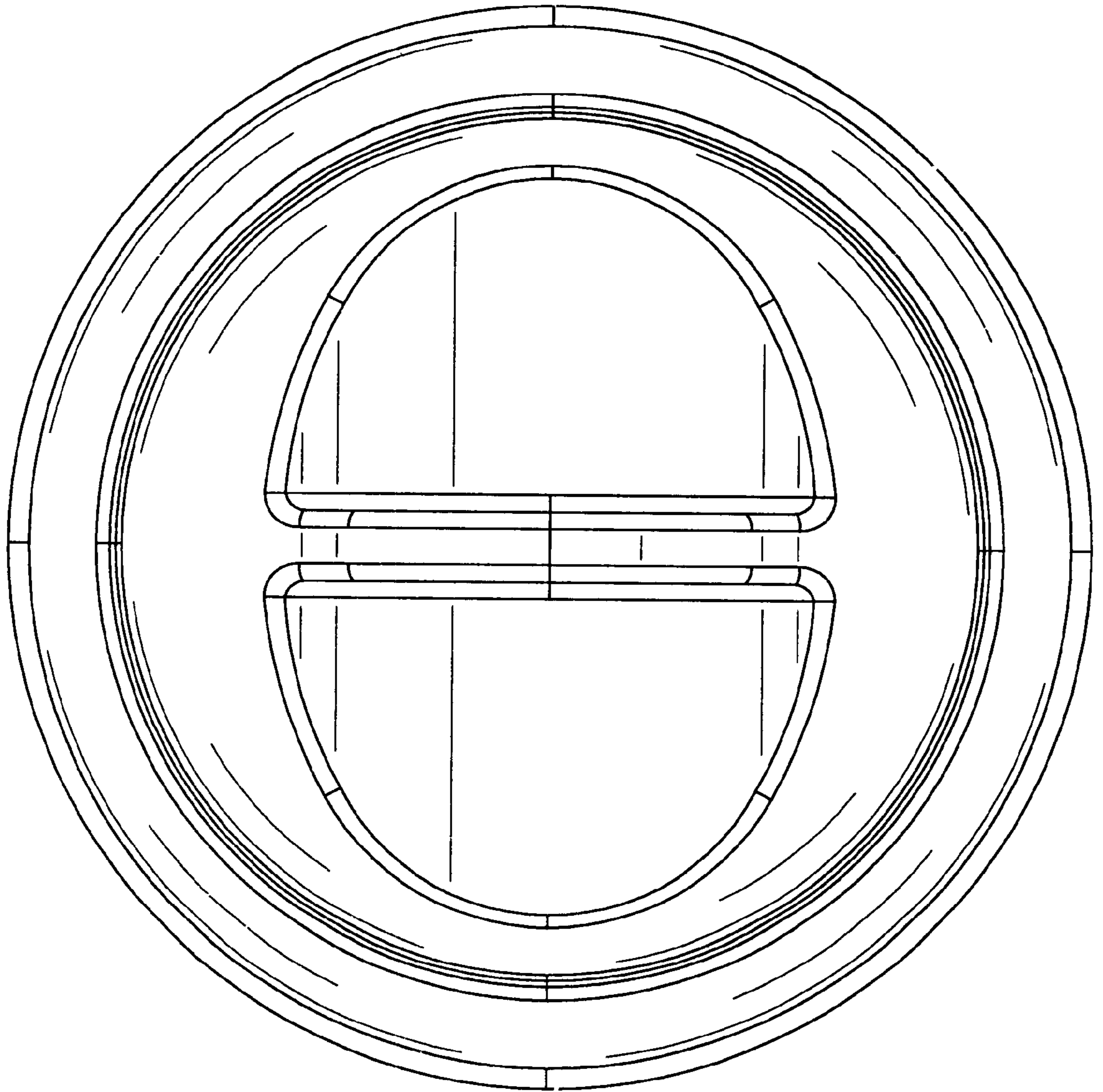


FIG. 4

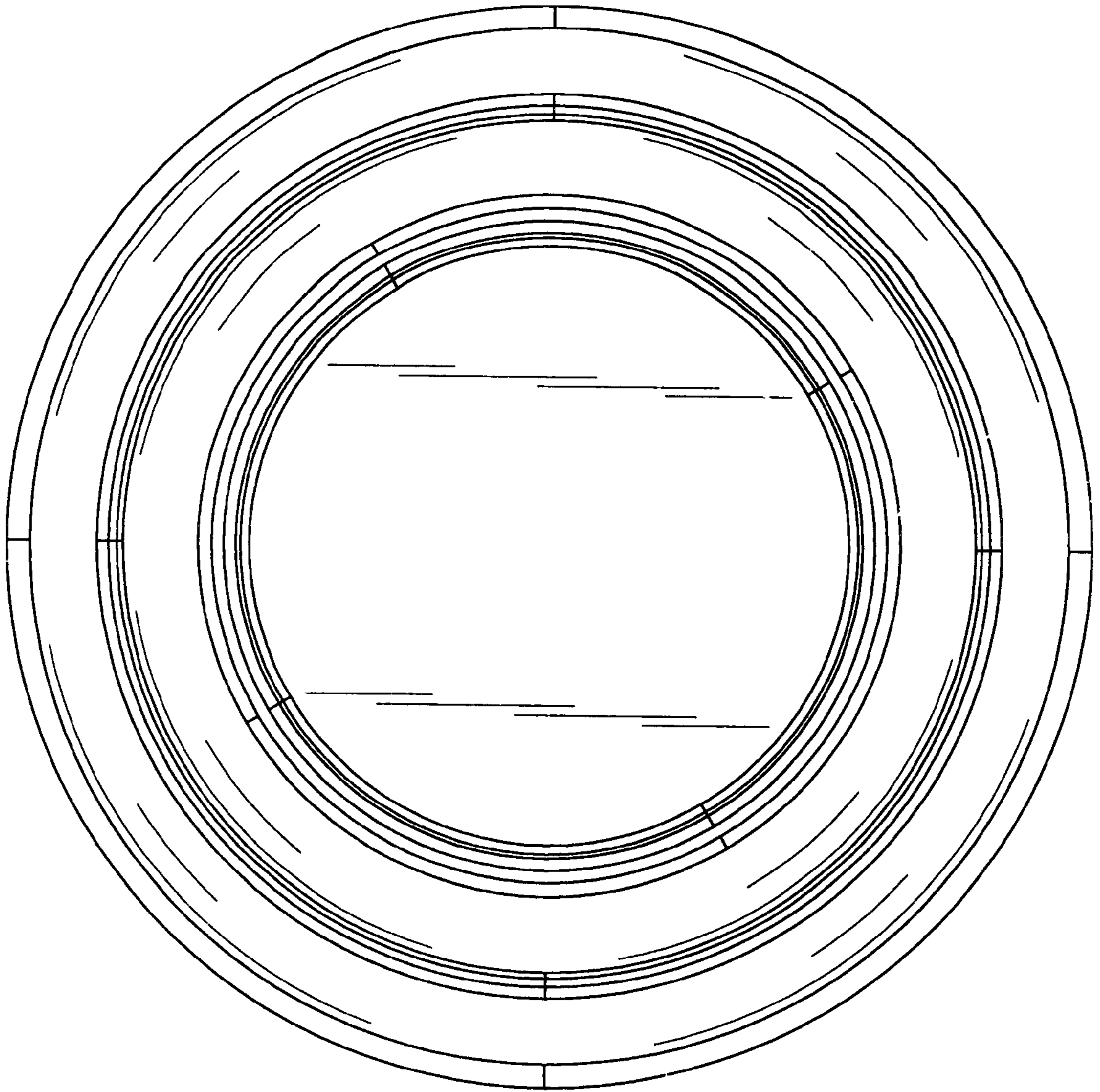


FIG. 5