



US00D448033B1

(12) **United States Design Patent**
Anderson et al.

(10) **Patent No.:** **US D448,033 S**

(45) **Date of Patent:** **** Sep. 18, 2001**

(54) **MEMORY STORAGE ASSEMBLY PANEL**

D. 425,520 * 5/2000 Liao D14/441

(75) Inventors: **Lester C. Anderson**, San Jose; **Badir M. Mousa**, Auburn, both of CA (US)

* cited by examiner

(73) Assignee: **Connex, Inc.**, San Jose, CA (US)

Primary Examiner—Freda Nunn

(**) Term: **14 Years**

(74) *Attorney, Agent, or Firm*—Milad G Shara; Won Tae C. Kim

(21) Appl. No.: **29/131,431**

(57) **CLAIM**

(22) Filed: **Oct. 19, 2000**

The ornamental design for a memory storage assembly panel, as shown and described.

(51) **LOC (7) Cl.** **14-02**

DESCRIPTION

(52) **U.S. Cl.** **D14/441**

(58) **Field of Search** D14/441-446;
D13/162, 184, 199; 312/223.2; 361/600,
622, 724-728, 680-686

FIG. 1 is a perspective view of a memory storage assembly panel showing our new design;
FIG. 2 is a right side view thereof;
FIG. 3 is a left side view thereof;
FIG. 4 is the top view thereof;
FIG. 5 is front view thereof; and,
FIG. 6. is a bottom view thereof.

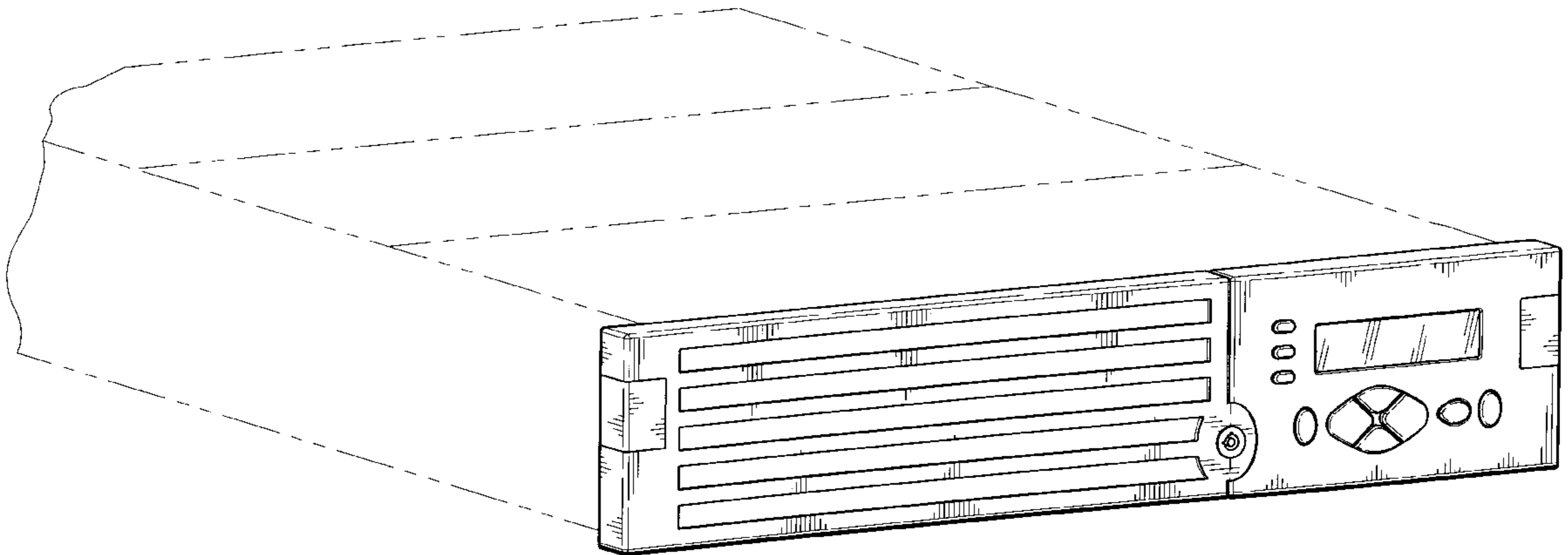
(56) **References Cited**

U.S. PATENT DOCUMENTS

- D. 307,423 * 4/1990 Hill D14/441
- D. 402,286 * 12/1998 Poole et al. D14/441
- D. 415,140 * 10/1999 Waaler D14/441

The broken lines shown in the figures are for illustrational purposes only and forms no part of the claimed invention.

1 Claim, 2 Drawing Sheets



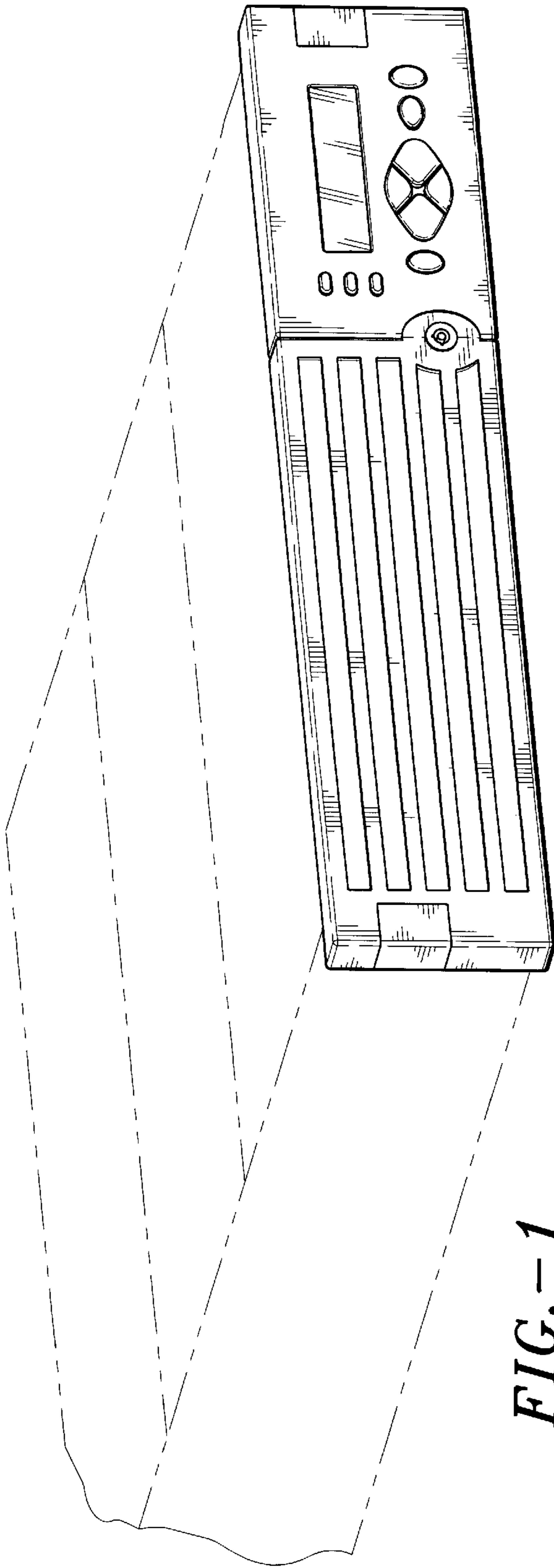


FIG. -1



FIG. -2

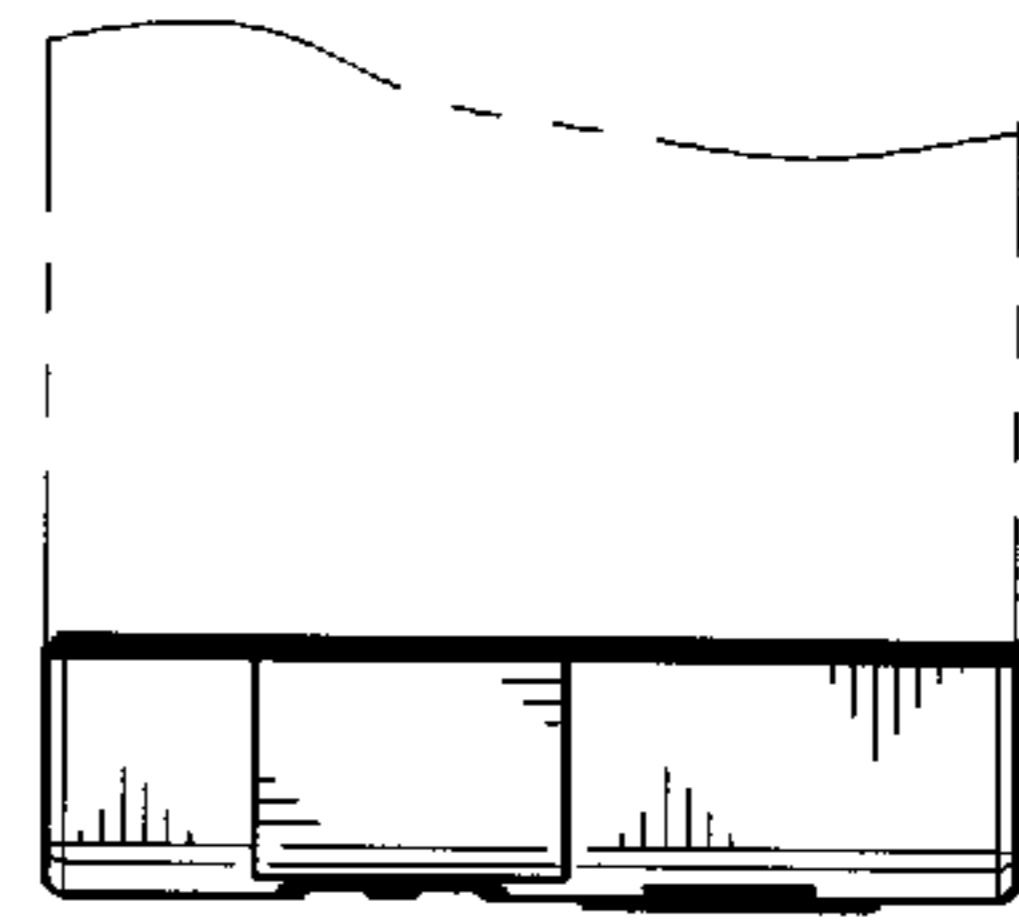


FIG. -3

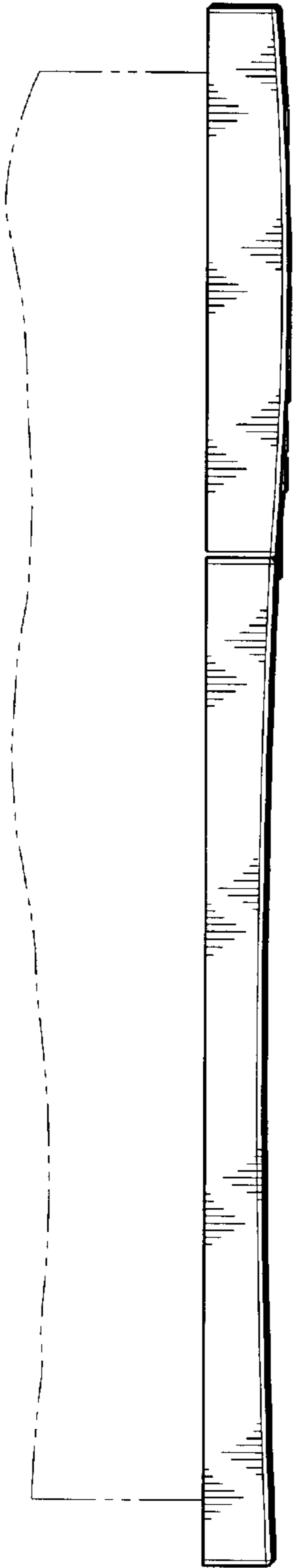


FIG. -4

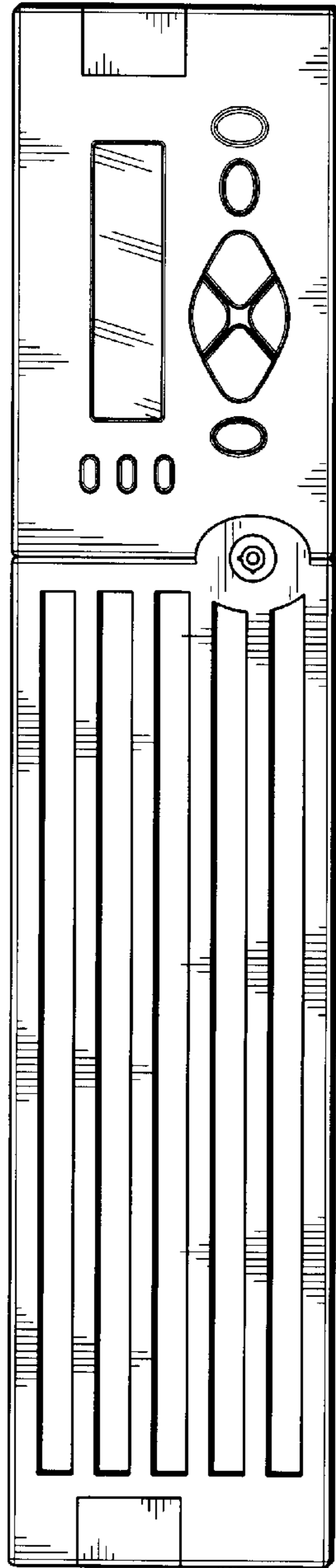


FIG. -5

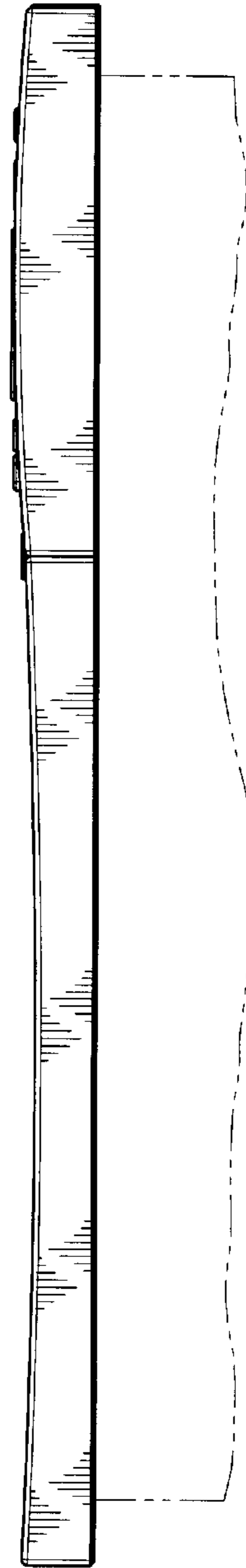


FIG. -6