



US00D448032B1

(12) **United States Design Patent**
Talley

(10) **Patent No.:** **US D448,032 S**

(45) **Date of Patent:** **** Sep. 18, 2001**

(54) **DOUBLE SIDED FOLDABLE KEYBOARD AND DISPLAY**

6,025,986 2/2000 Sternglass et al. 361/680
6,038,313 3/2000 Collins 379/433

(76) Inventor: **Timothy C. Talley**, 3507 Indian Point,
Austin, TX (US) 78739

* cited by examiner

Primary Examiner—Freda Nunn

(**) Term: **14 Years**

(74) *Attorney, Agent, or Firm*—Locke Liddell & Sapp LLP

(21) Appl. No.: **29/132,463**

(57) **CLAIM**

(22) Filed: **Nov. 13, 2000**

The ornamental design for a double sided foldable keyboard and display, as shown and described.

(51) **LOC (7) Cl.** **14-02**

DESCRIPTION

(52) **U.S. Cl.** **D14/396; D14/320; D14/331**

(58) **Field of Search** D14/314, 320,
D14/331, 333, 334, 335, 391–393, 396;
235/145 A, 145 R; 345/104, 156, 168, 169,
173; 341/22, 23; 361/680–686; 400/486,
489

FIG. 1 is a top front side perspective view of a double sided foldable keyboard and display showing my new design in the keyboard and display open position;

FIG. 2 is a top front side perspective view of the keyboard of FIG. 1 in the keyboard partially folded position;

FIG. 3 is a top plan view of the keyboard of FIG. 1 in the keyboard folded position illustrating the opposite keyboard;

FIG. 4 is a top front perspective view of the keyboard of FIG. 1 in the keyboard-display partially folded position;

FIG. 5 is a top plan view of the keyboard of FIG. 1 in the keyboard-display folded position;

FIG. 6 is a bottom plan view of the keyboard of FIG. 5;

FIG. 7 is a front elevational view of the keyboard of FIG. 5;

FIG. 8 is a rear elevational view of the keyboard of FIG. 5;

FIG. 9 is a left side elevational view of the keyboard of FIG. 5;

FIG. 10 is a right side elevational view of the keyboard of FIG. 5;

FIG. 11 is a top plan view of the keyboard of FIG. 1;

FIG. 12 is a bottom plan view of the keyboard of FIG. 1;

FIG. 13 is a right side elevational view of the keyboard of FIG. 1;

FIG. 14 is a left side elevational view of the keyboard of FIG. 1;

FIG. 15 is a front elevational view of the keyboard of FIG. 1; and,

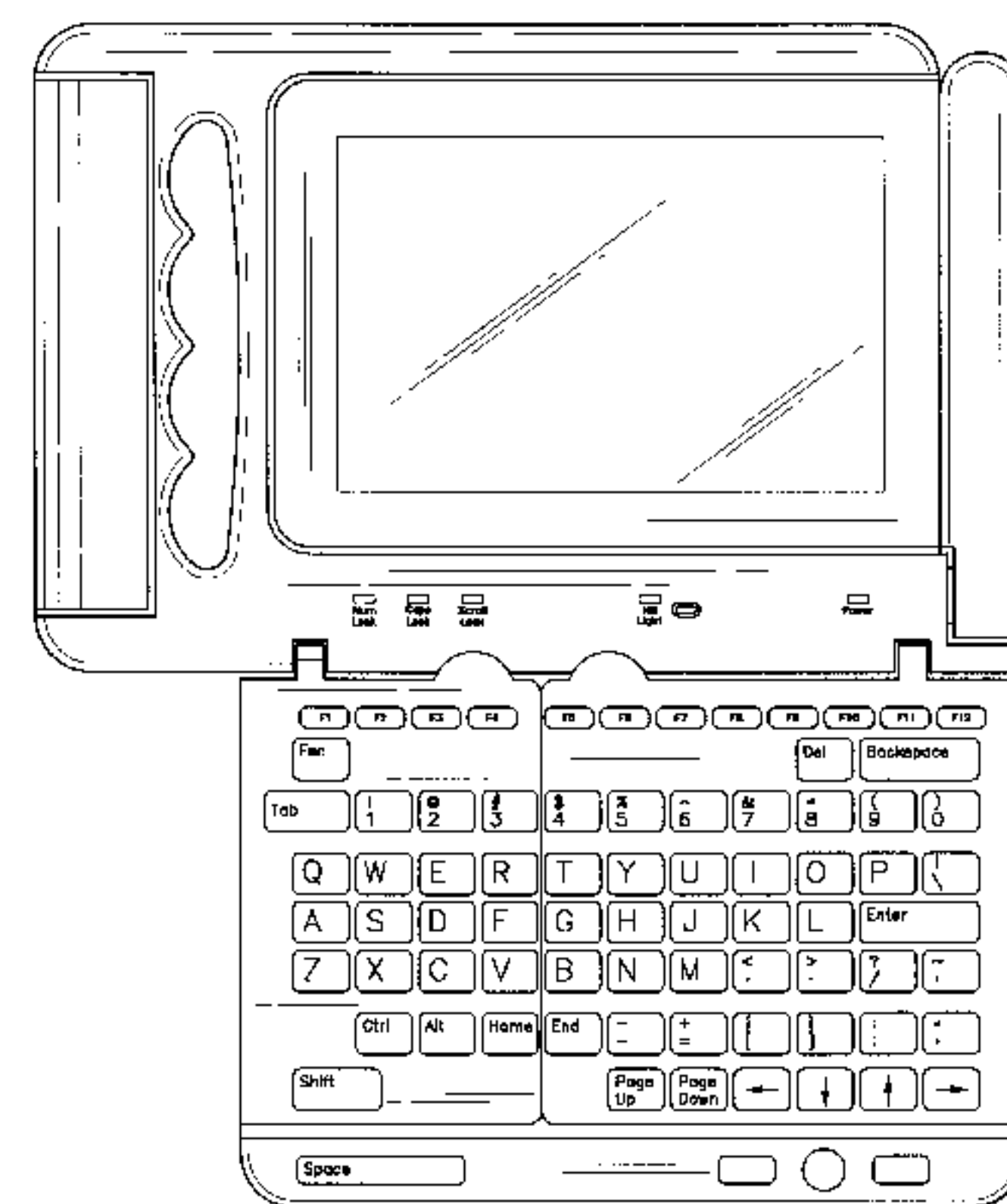
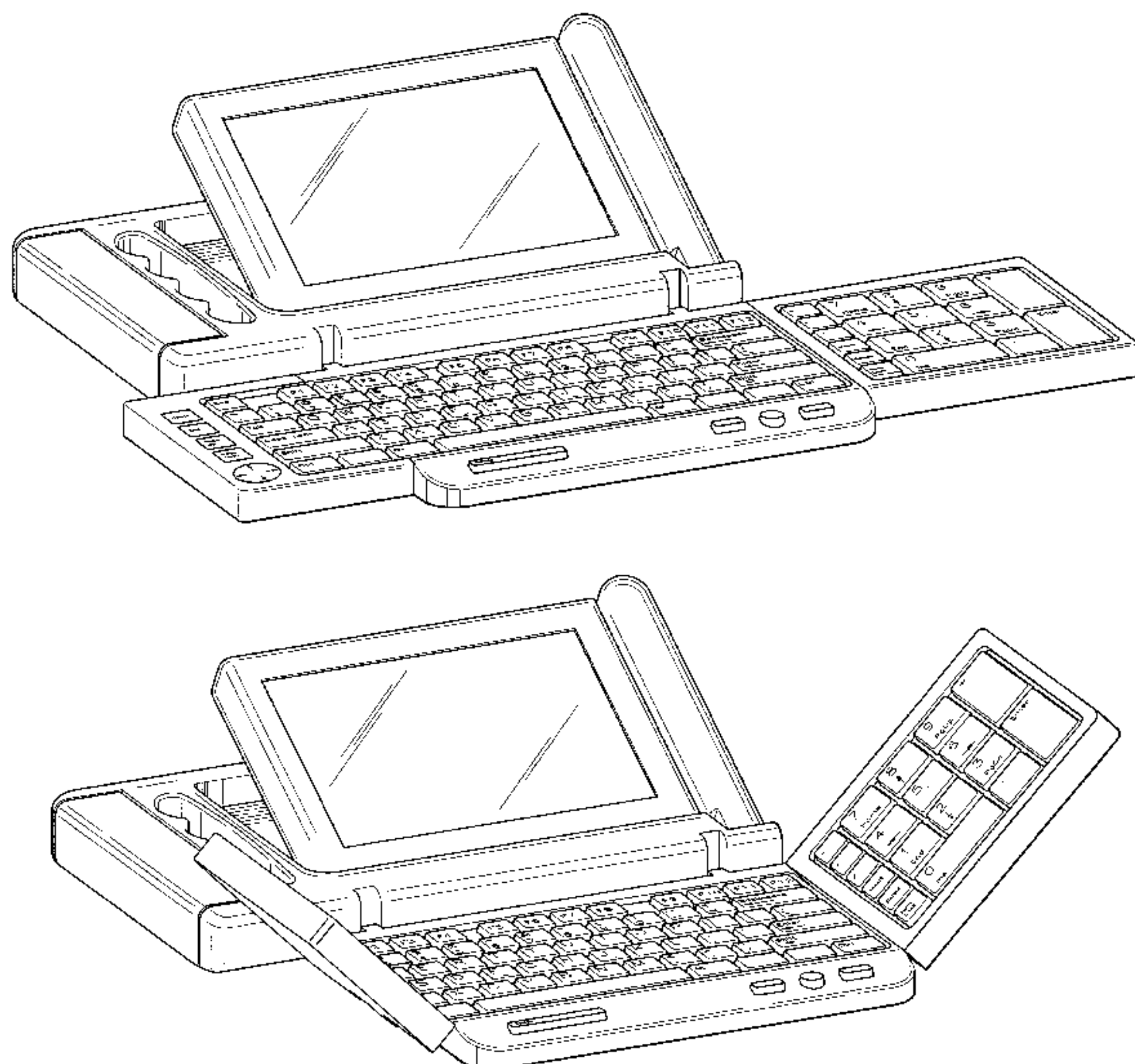
FIG. 16 is a rear elevational view of the keyboard of FIG. 1.

(56) **References Cited**

U.S. PATENT DOCUMENTS

D. 360,193	*	7/1995	Franzen	D14/331
D. 394,045	*	5/1998	Iino	D14/320
D. 416,008		11/1999	Robinson et al.	D14/393
D. 420,655		2/2000	Louis et al.	D14/396
3,940,758	*	2/1976	Margolin	345/169
4,324,976	*	4/1982	Lapeyre	235/145 R
4,839,837	*	6/1989	Chang	361/681
5,187,644	*	2/1993	Crisan	361/680
5,267,127	*	11/1993	Pollitt	361/680
5,278,779	*	1/1994	Conway et al.	361/680
5,410,333		4/1995	Conway	345/169
5,457,453		10/1995	Chiu et al.	341/22
5,502,460	*	3/1996	Bowen	345/168
5,519,569		5/1996	Sellers	361/690
5,653,543		8/1997	Abe	400/489
5,687,058		11/1997	Roylance	361/680
5,703,578		12/1997	Allison	341/22
5,712,760		1/1998	Coulon et al.	361/680
5,943,041		8/1999	Allison et al.	345/168
5,949,643		9/1999	Batio	361/681
5,995,025	*	11/1999	Sternglass et al.	341/22

1 Claim, 10 Drawing Sheets



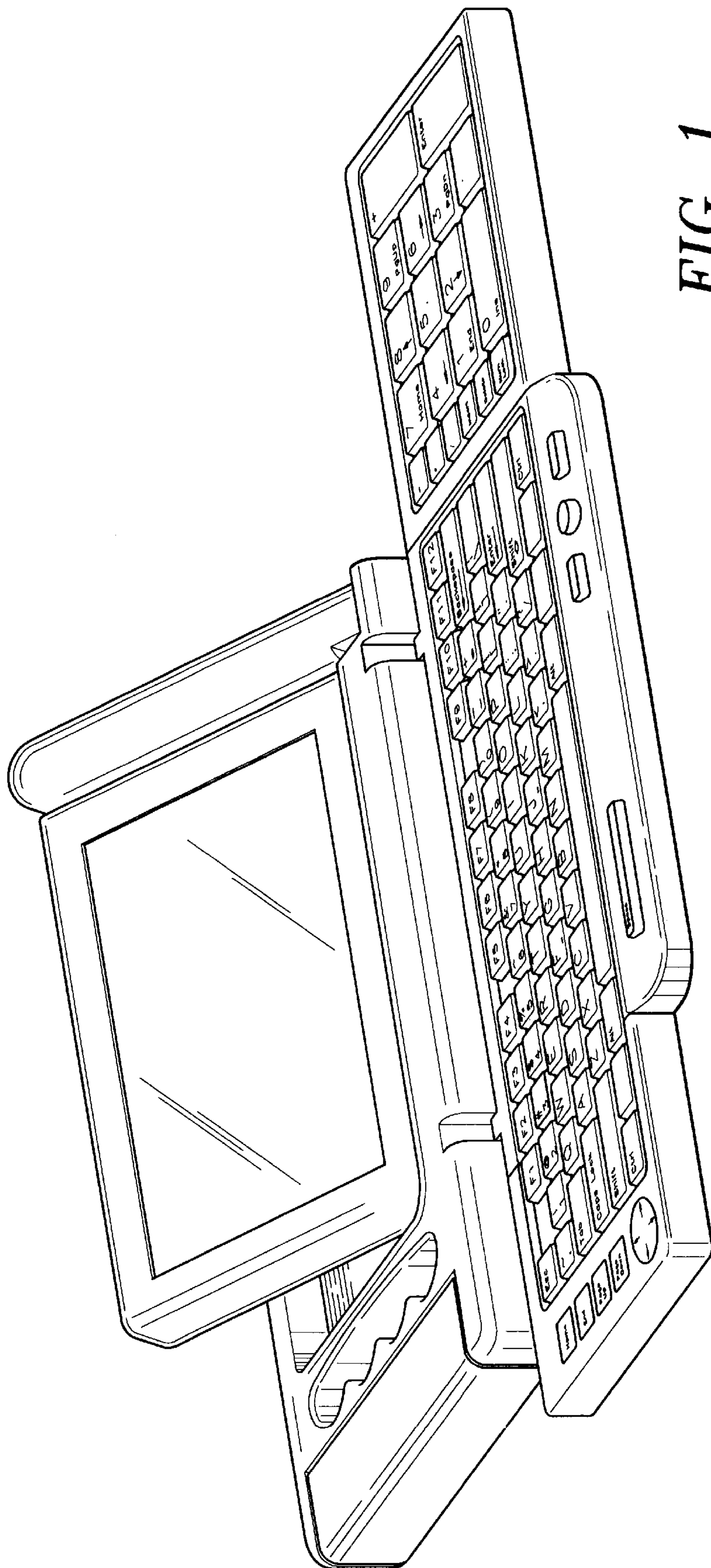


FIG. 1

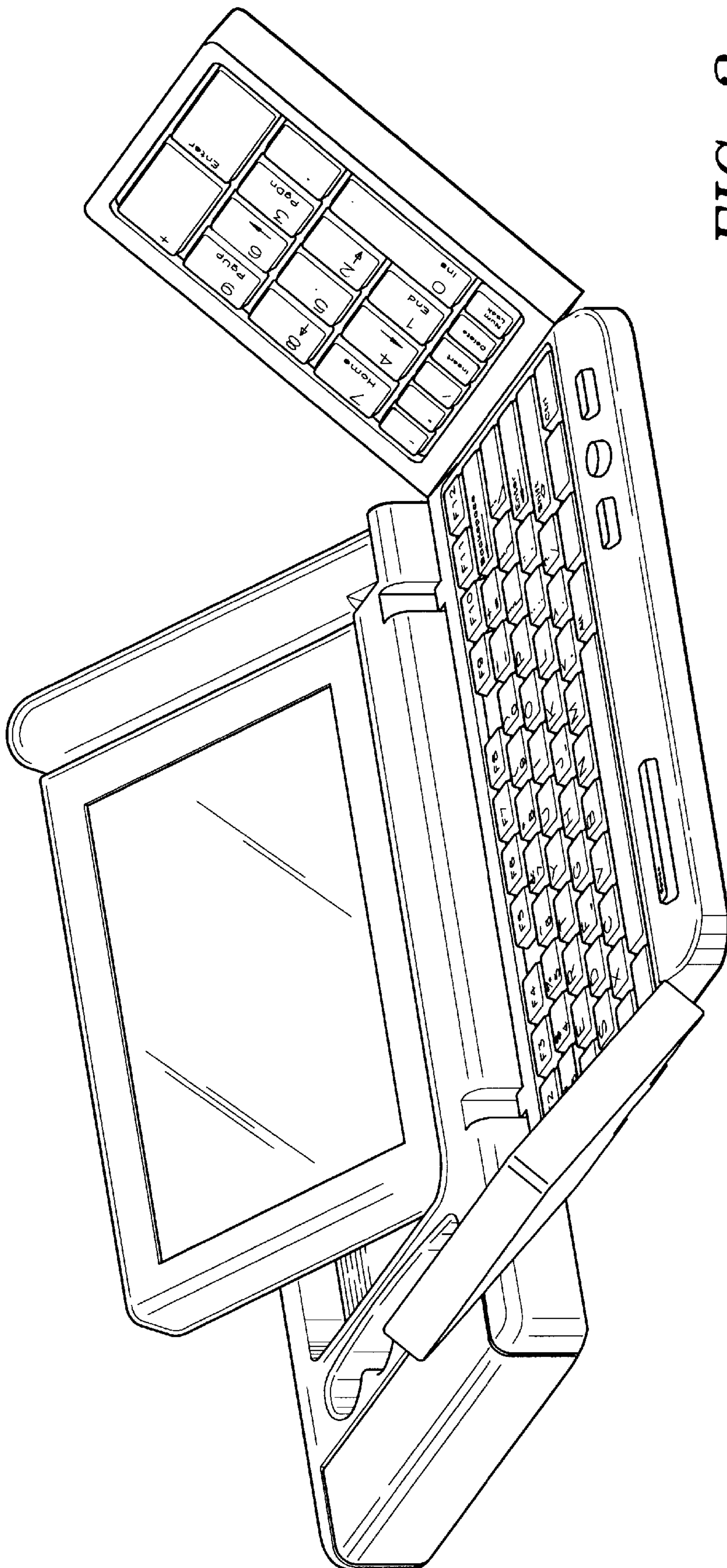


FIG. 2

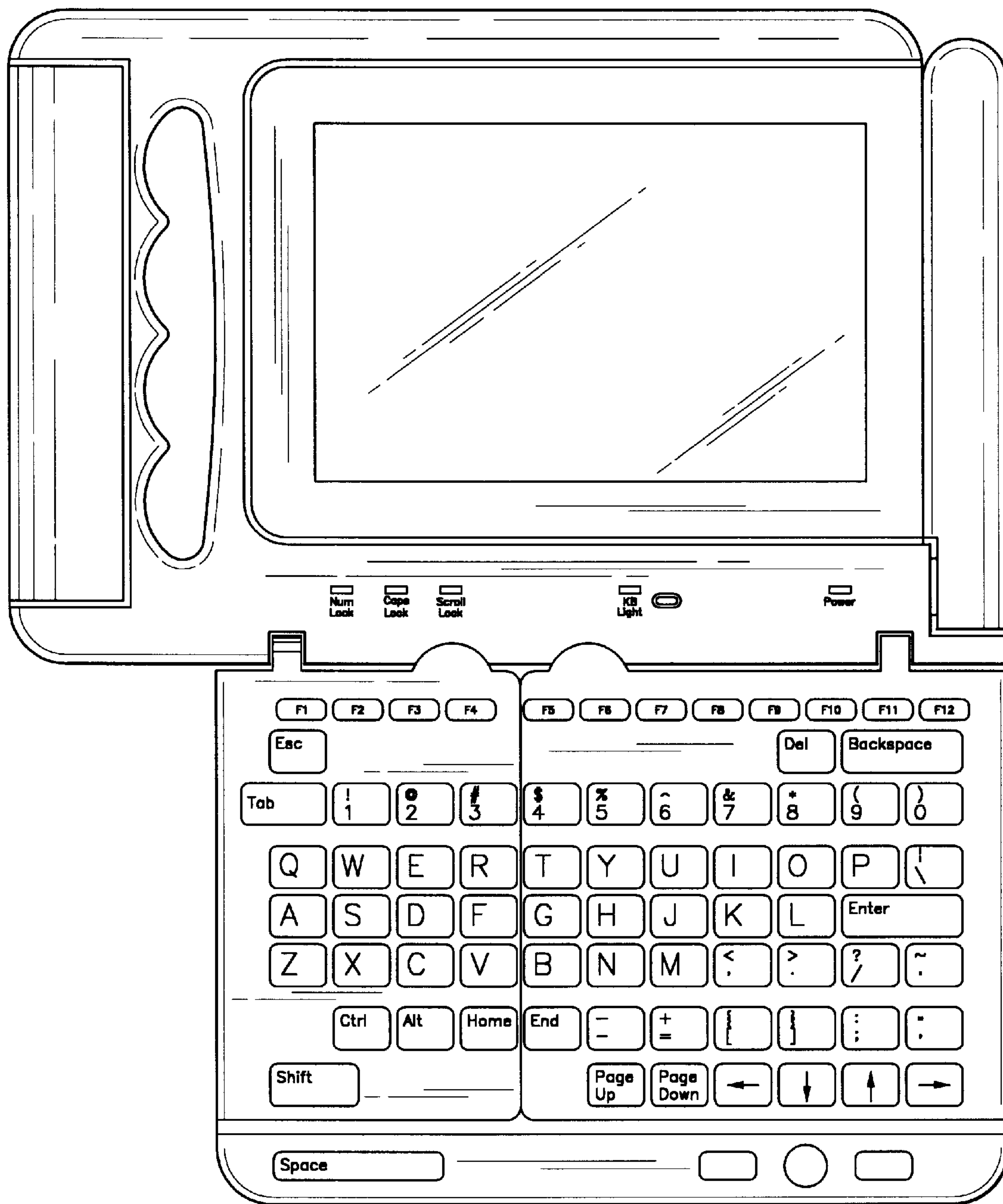


FIG. 3

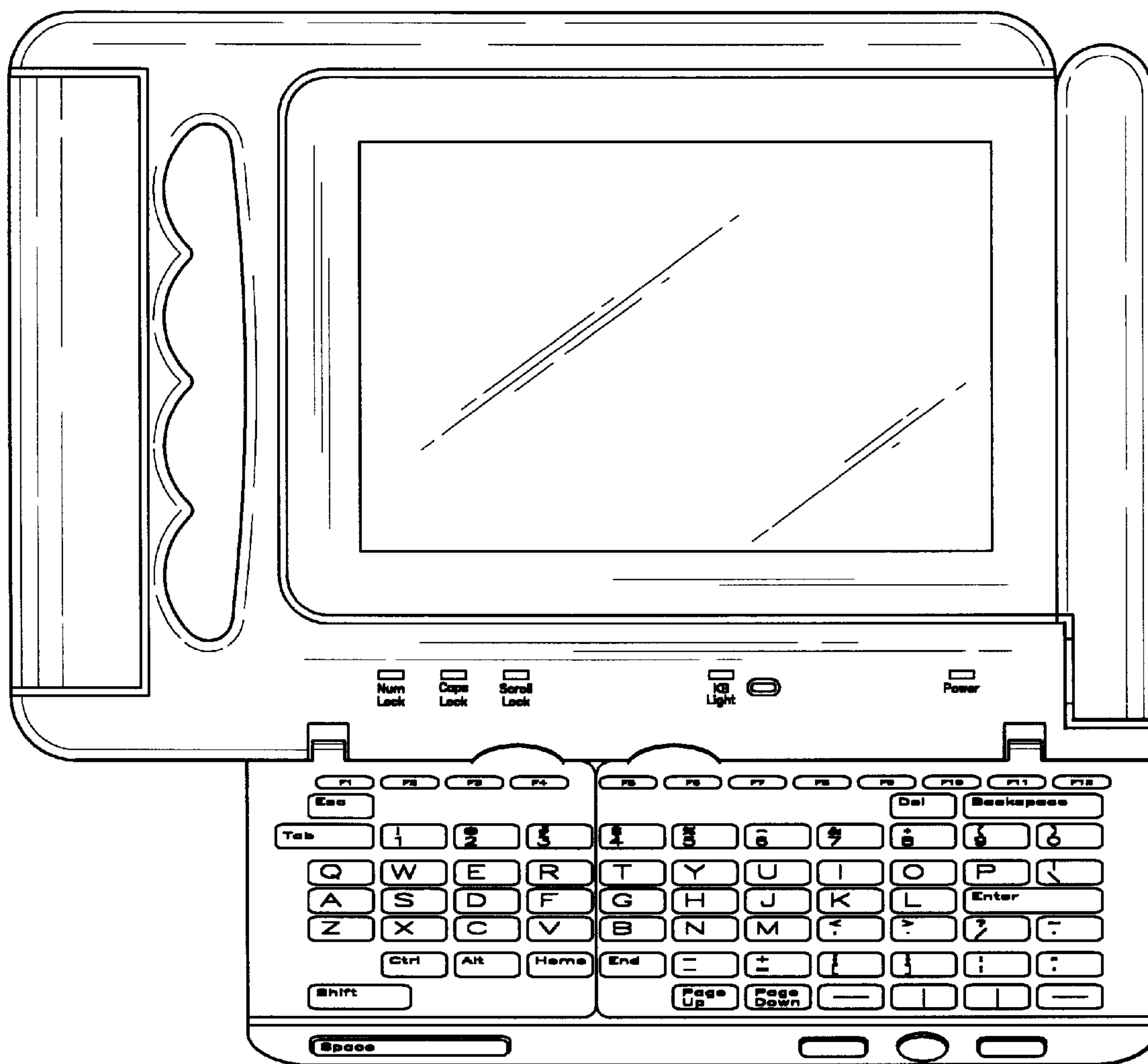


FIG. 4

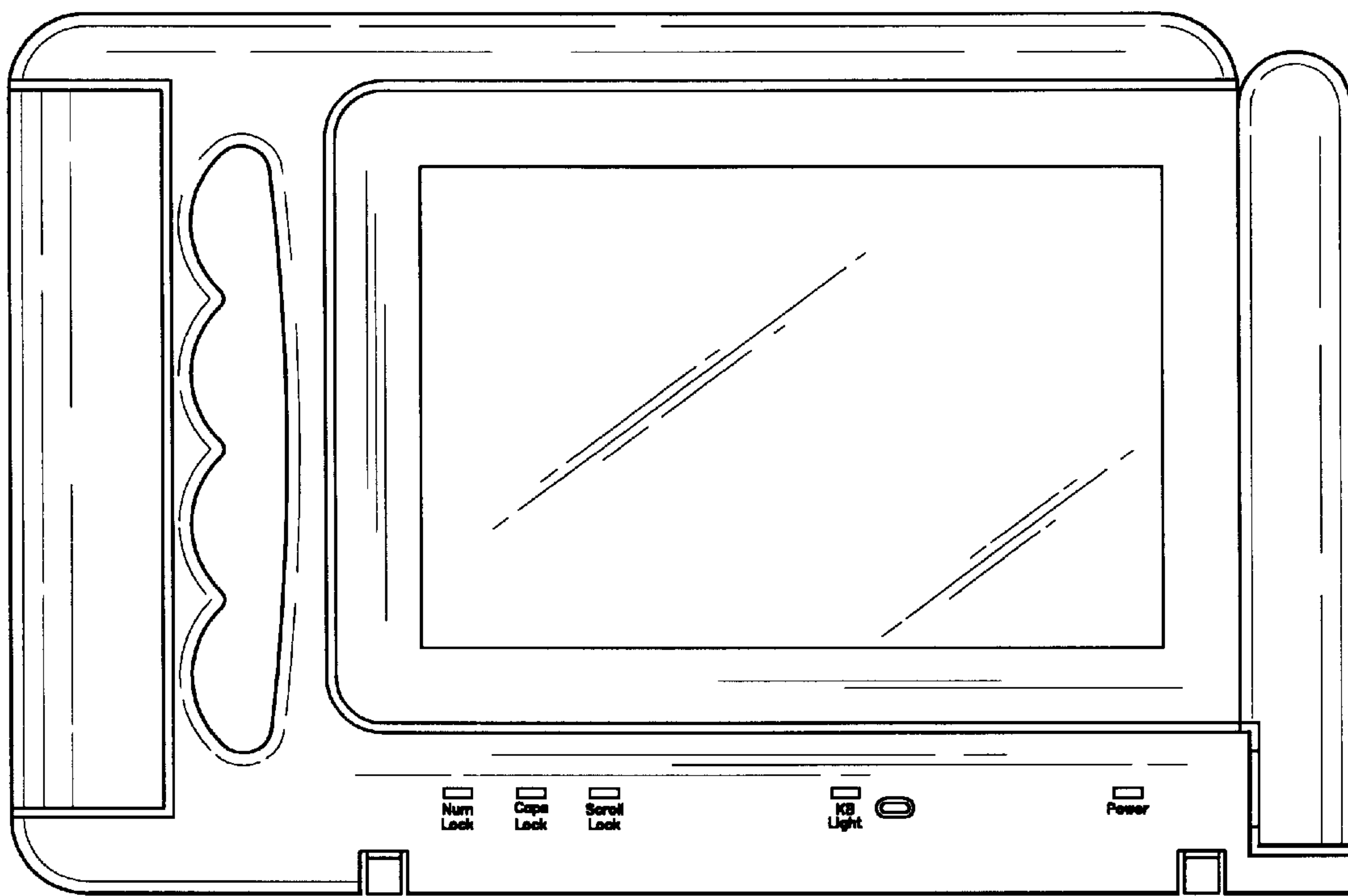


FIG. 5

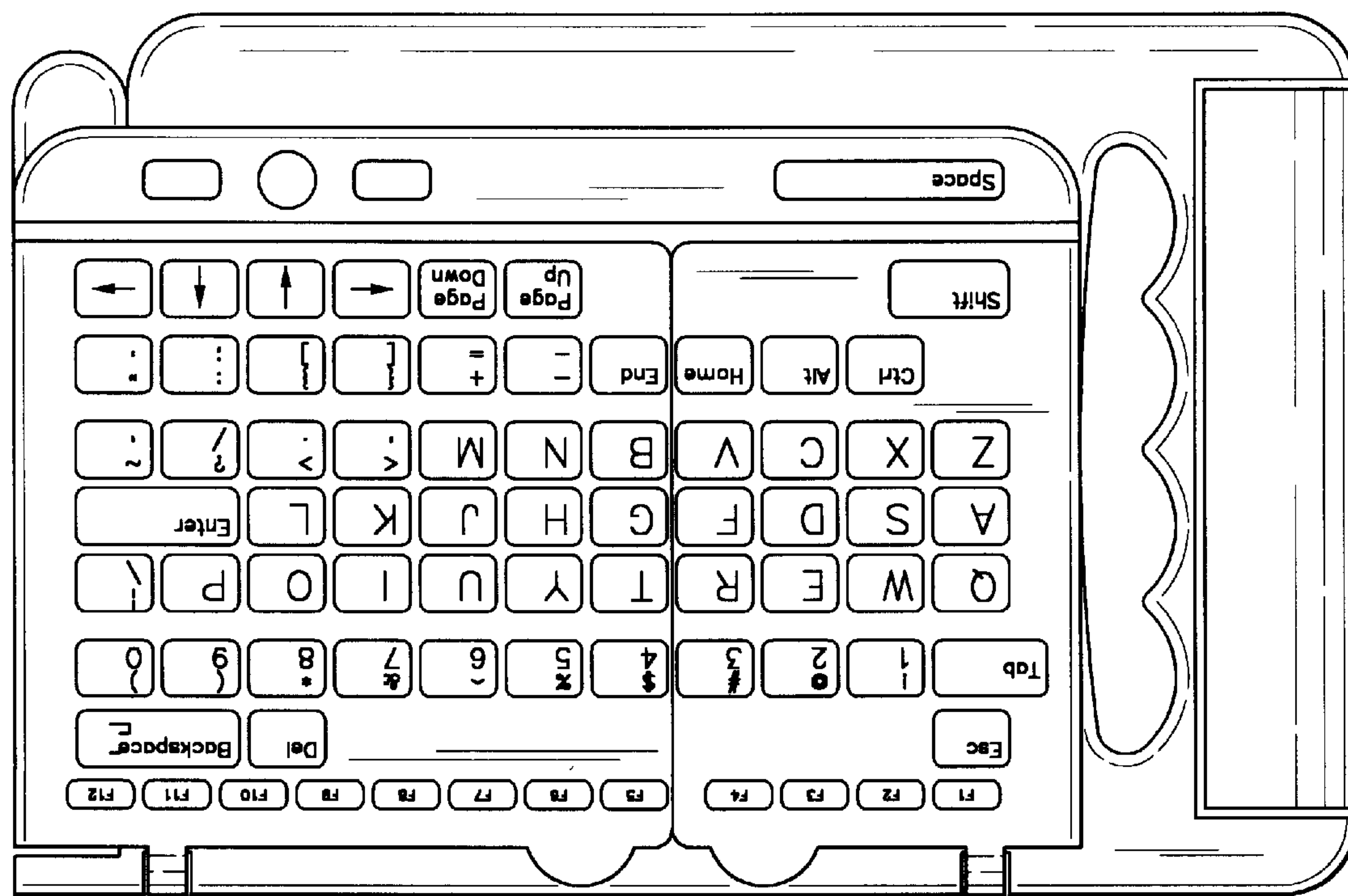


FIG. 6

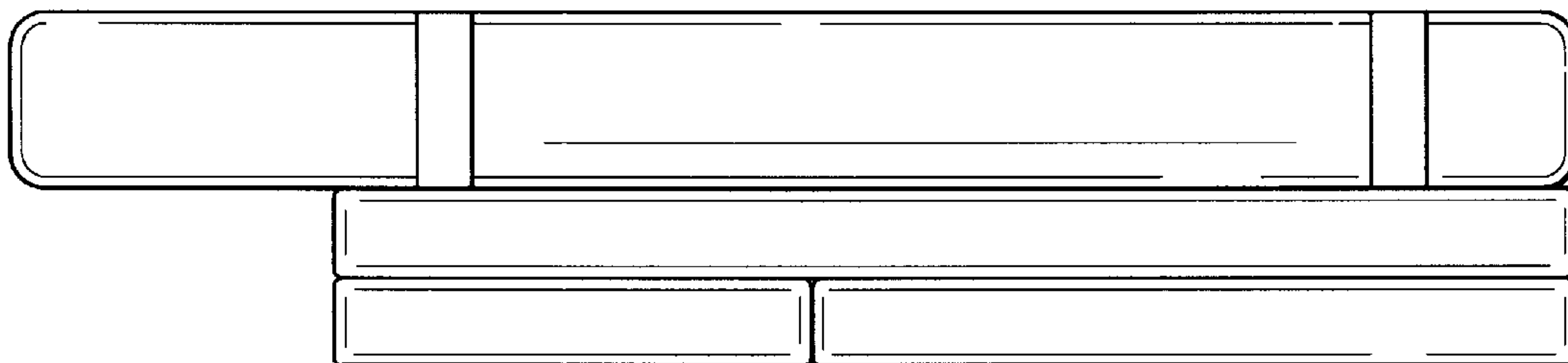


FIG. 7

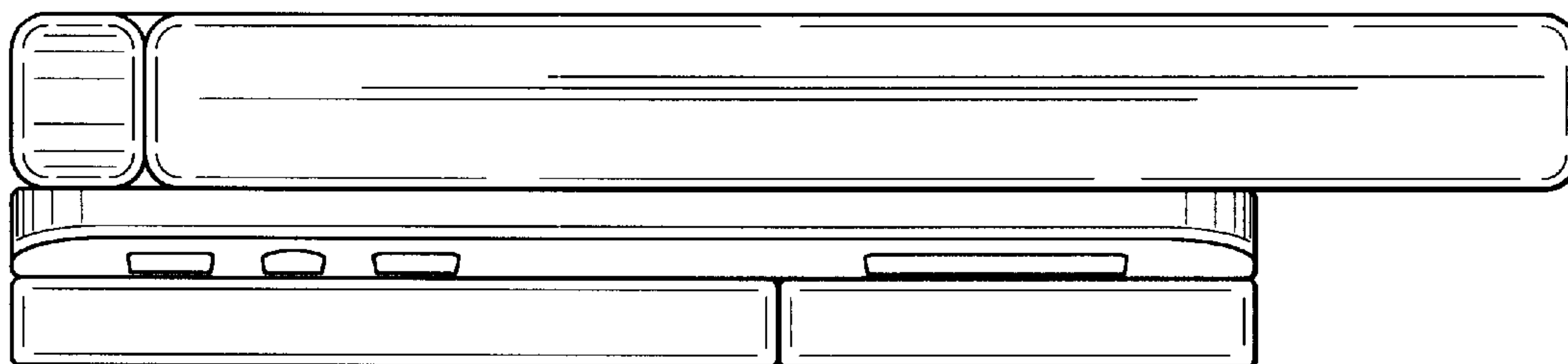


FIG. 8

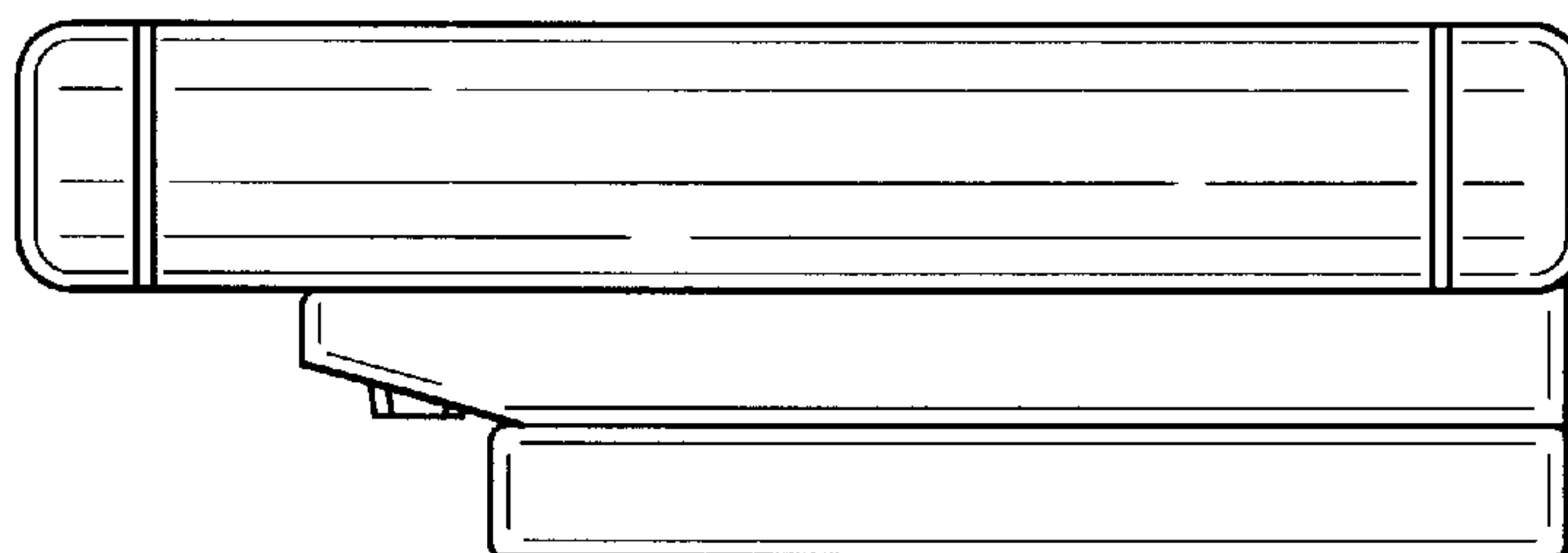


FIG. 9

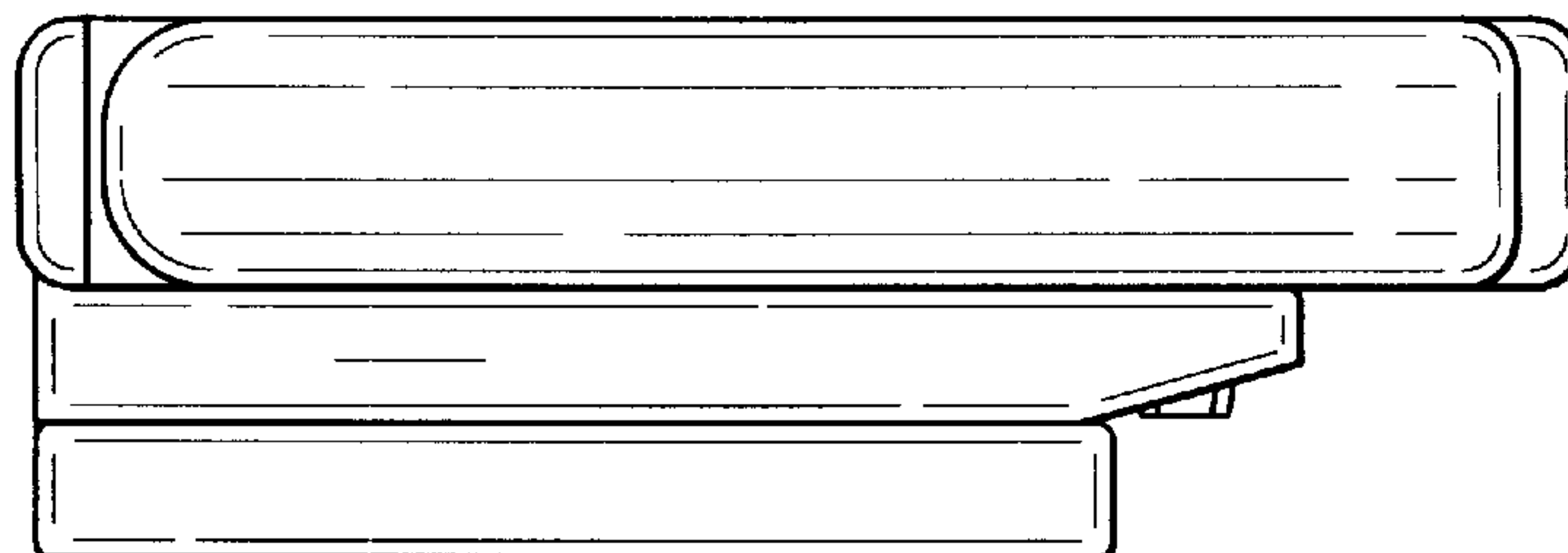
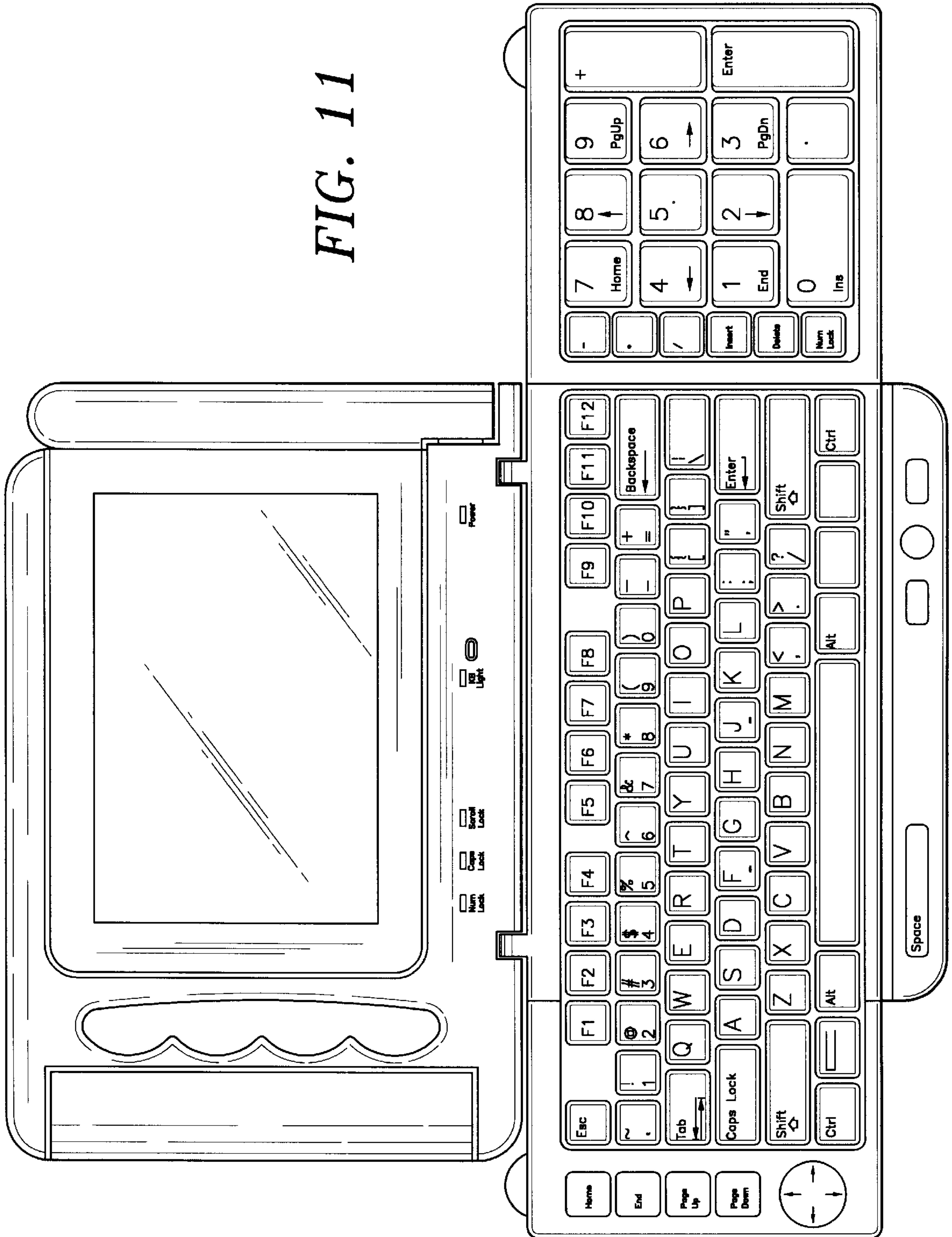


FIG. 10

FIG. 11



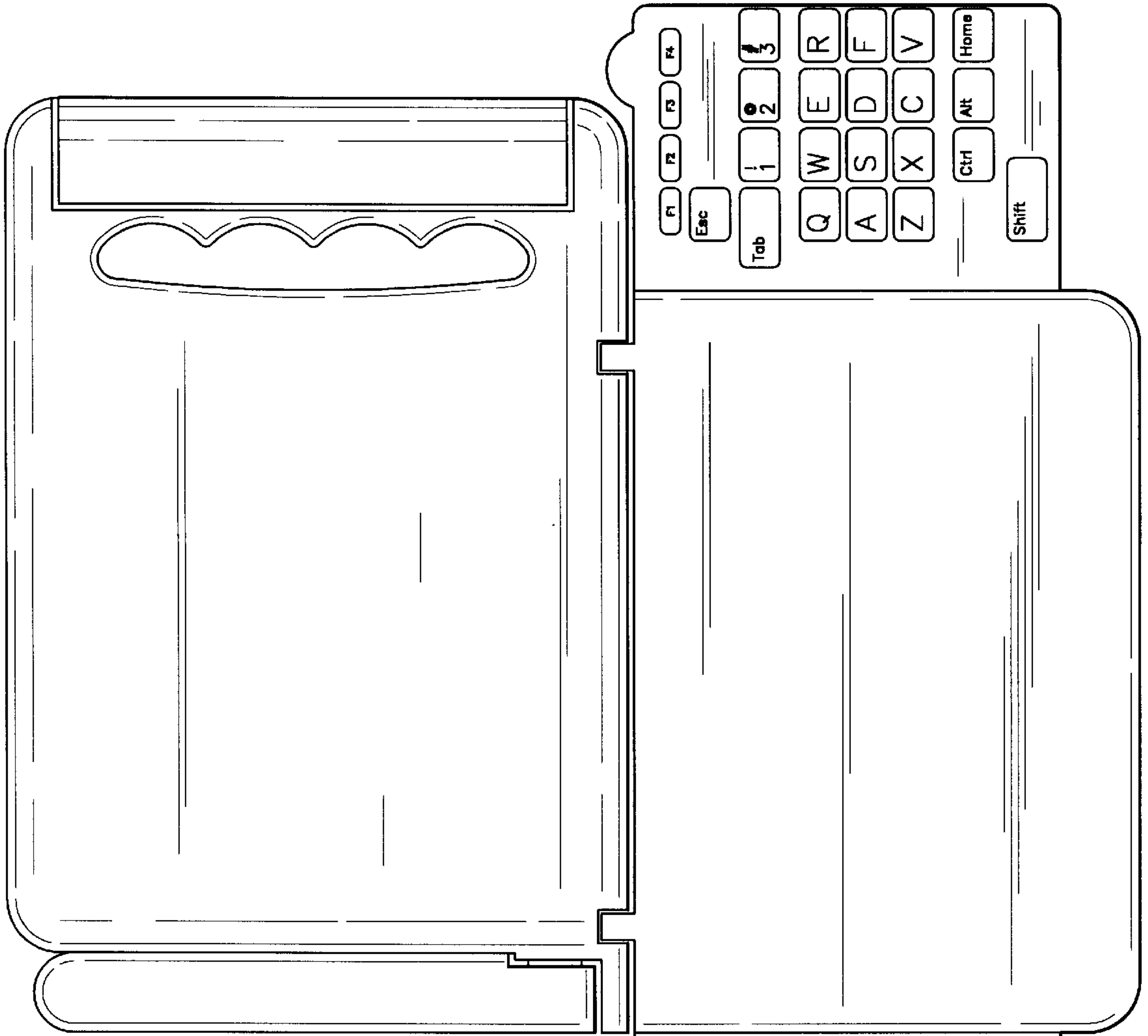
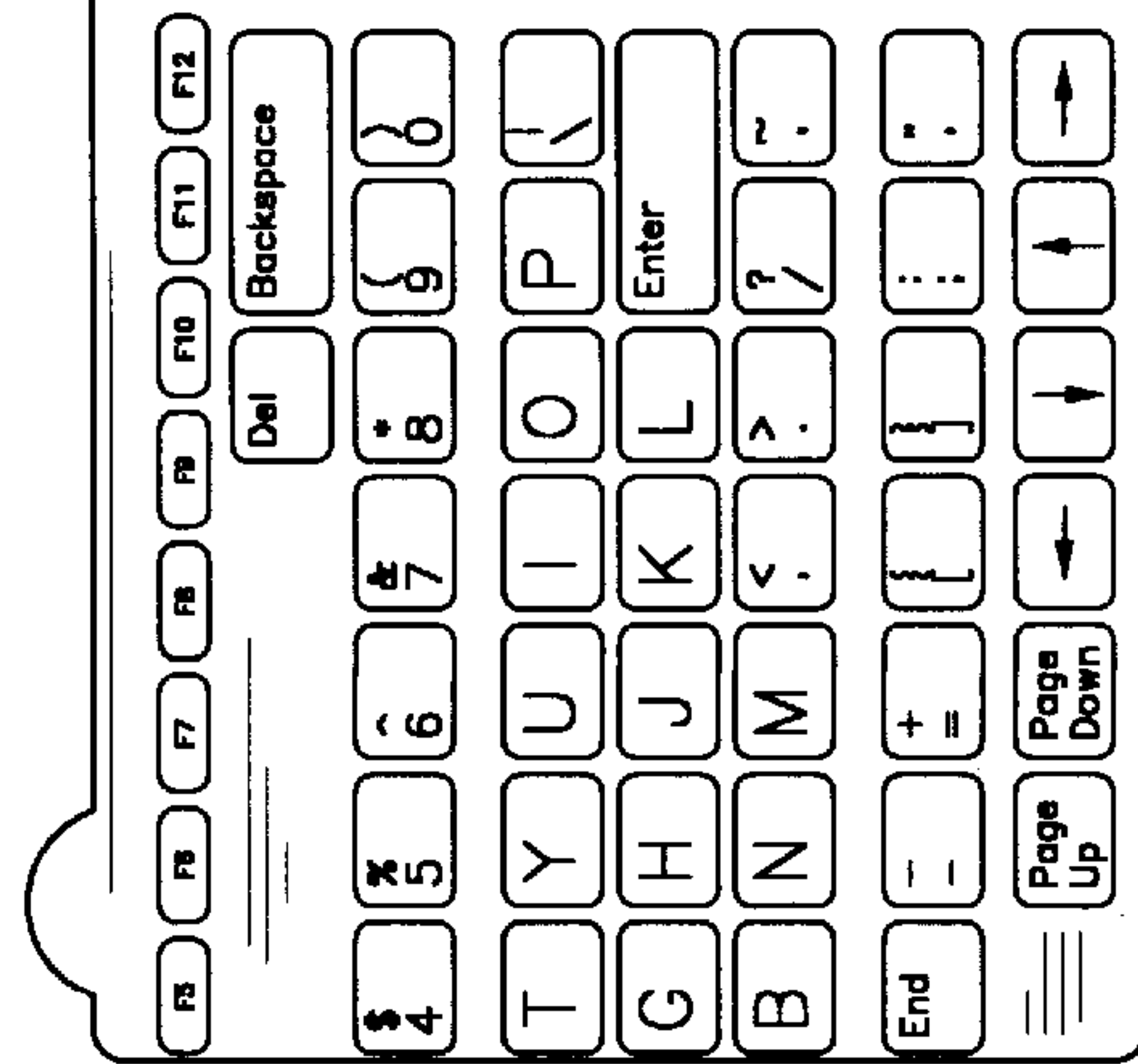


FIG. 12



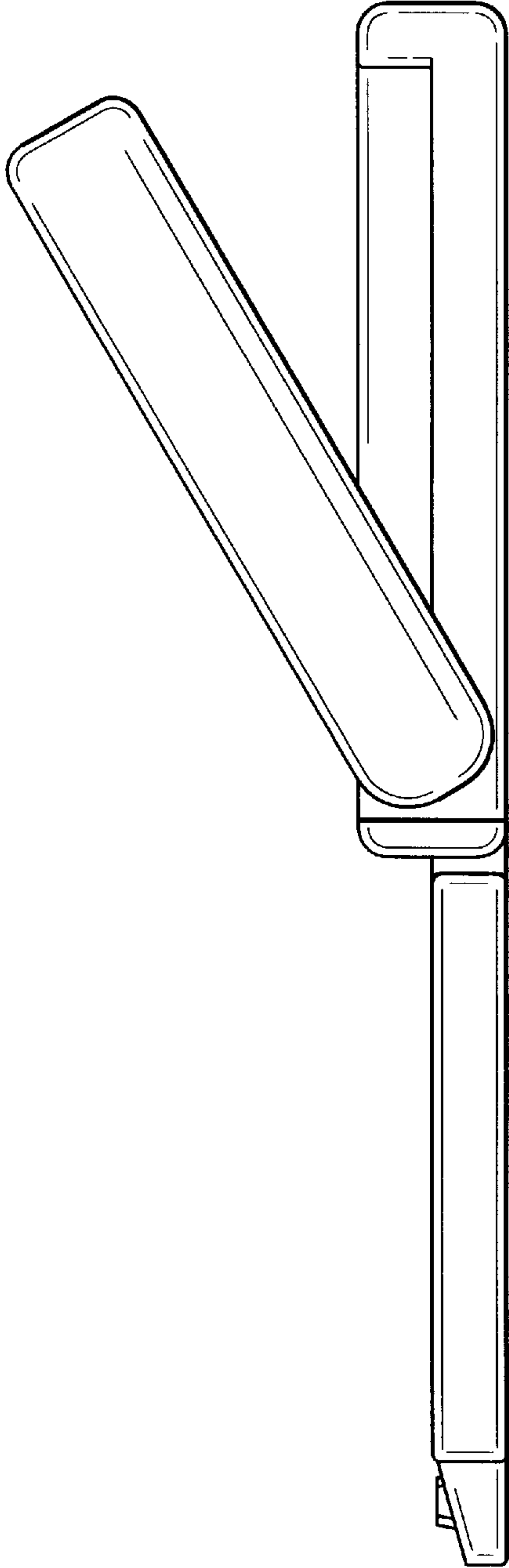


FIG. 13

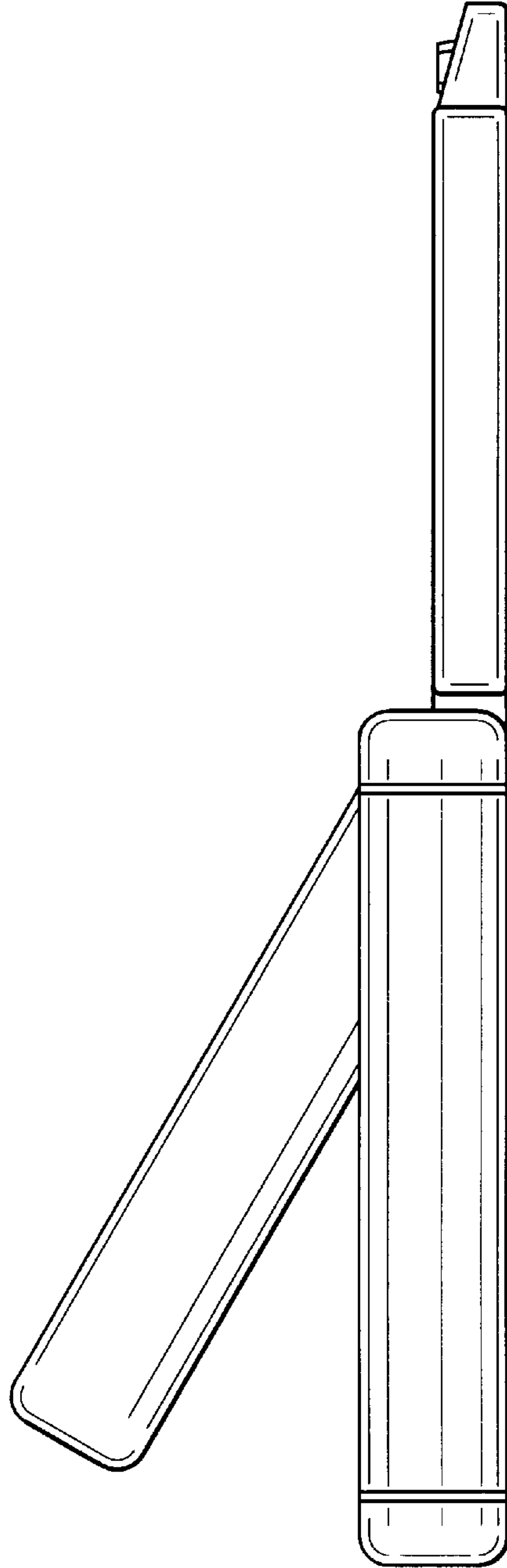


FIG. 14

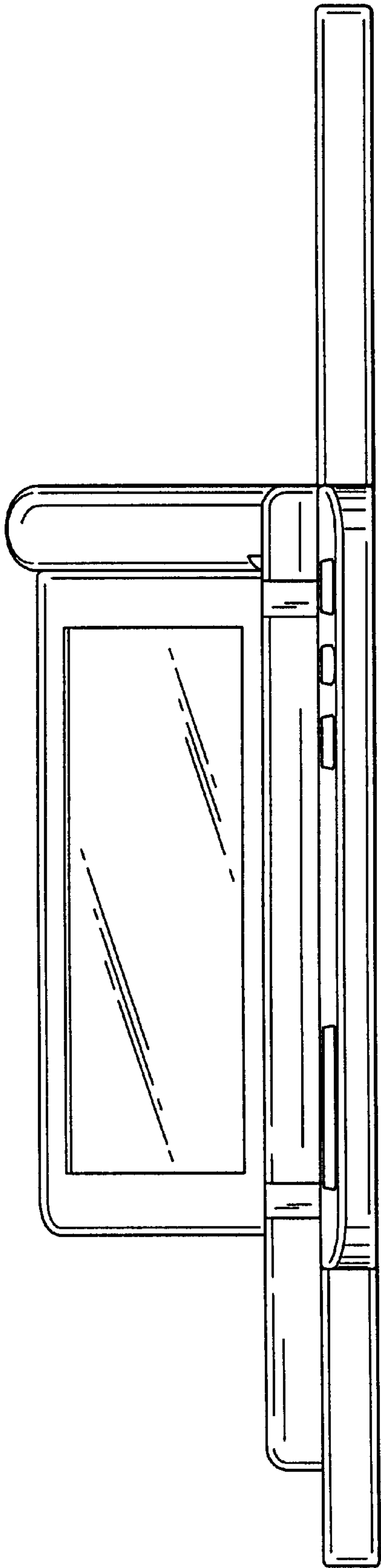


FIG. 15

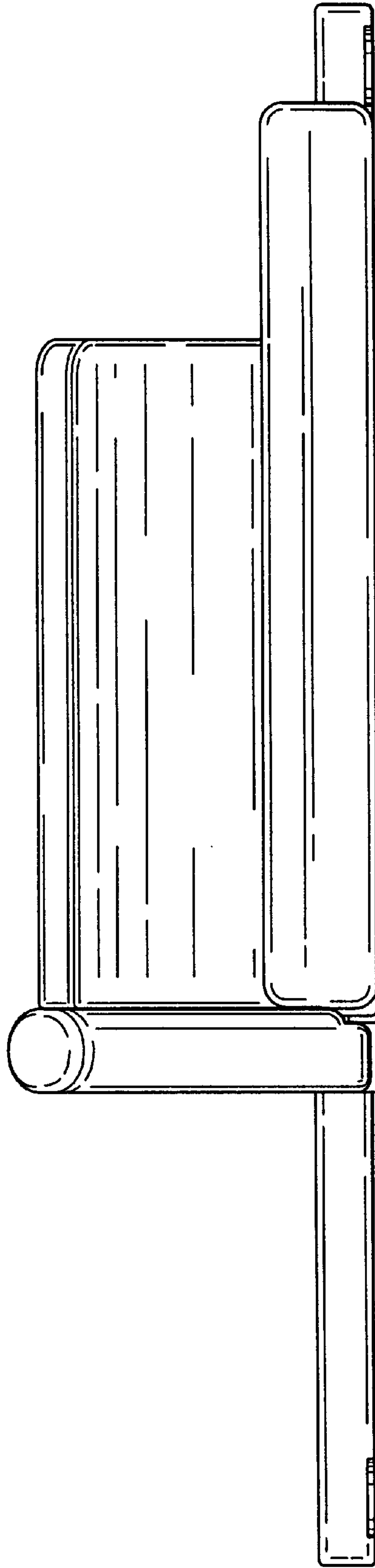


FIG. 16