



US00D448031B1

(12) **United States Design Patent**  
**Goetz**

(10) **Patent No.:** **US D448,031 S**

(45) **Date of Patent:** **\*\* Sep. 18, 2001**

(54) **FLAT-PANEL DISPLAY**

(75) **Inventor:** **David Goetz**, Los Angeles, CA (US)

(73) **Assignee:** **Next Planet, Inc.**, Los Angeles, CA (US)

(\*\*) **Term:** **14 Years**

(21) **Appl. No.:** **29/129,002**

(22) **Filed:** **Sep. 1, 2000**

(51) **LOC (7) Cl.** ..... **14-02**

(52) **U.S. Cl.** ..... **D14/374**

(58) **Field of Search** ..... D14/371, 374,  
D14/375, 382, 126-129; 248/918-924;  
341/12; 345/104, 133, 156, 168, 173; 349/1,  
2, 11, 62

(56) **References Cited**

**U.S. PATENT DOCUMENTS**

D. 396,222 \* 7/1998 Morgan et al. .... D14/126

D. 424,068 \* 5/2000 Takemasa ..... D14/374  
D. 427,169 \* 6/2000 Saeki et al. .... D14/126

\* cited by examiner

*Primary Examiner*—Freda Nunn

(74) *Attorney, Agent, or Firm*—George Gin-Chong Tseng

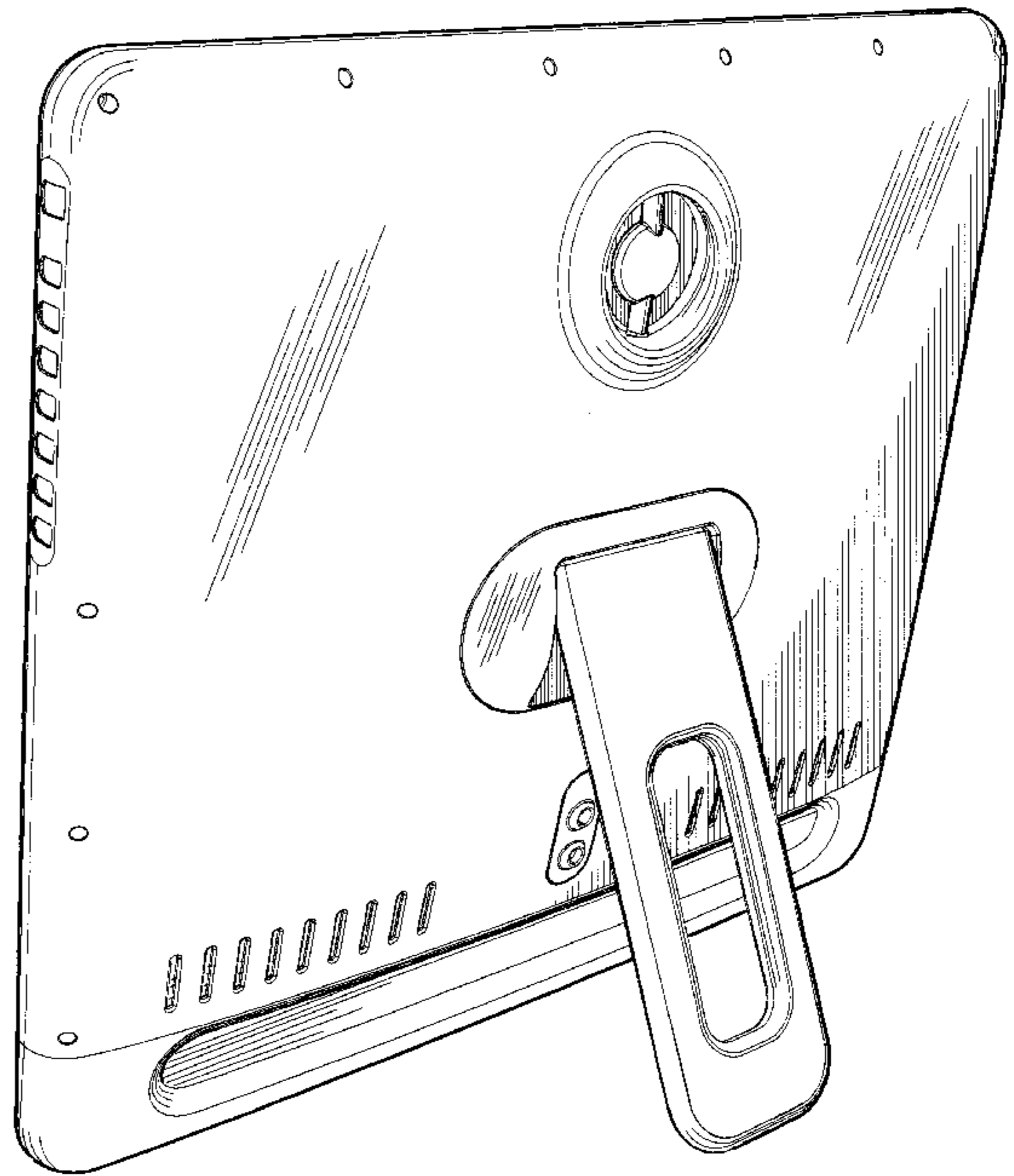
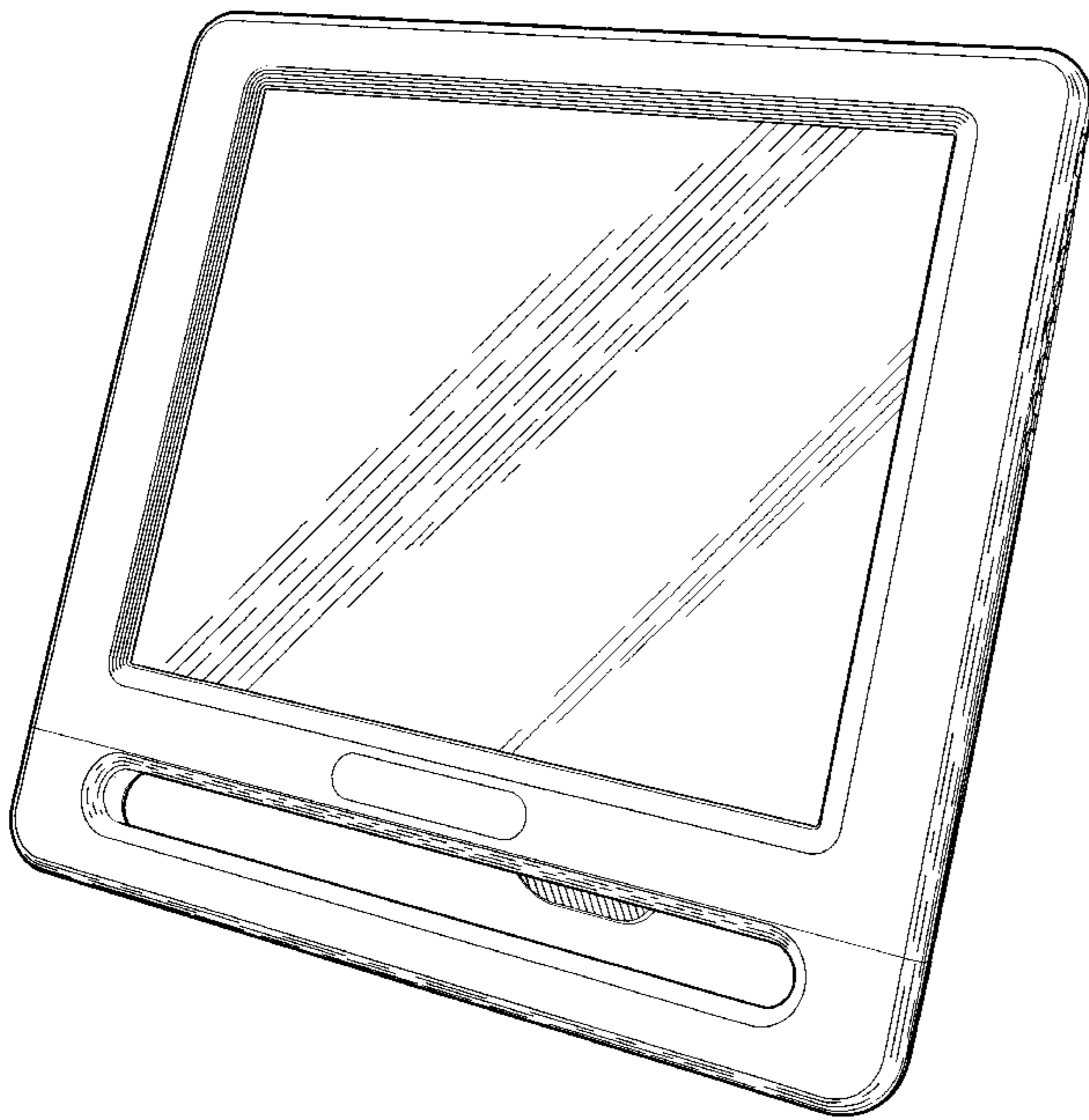
(57) **CLAIM**

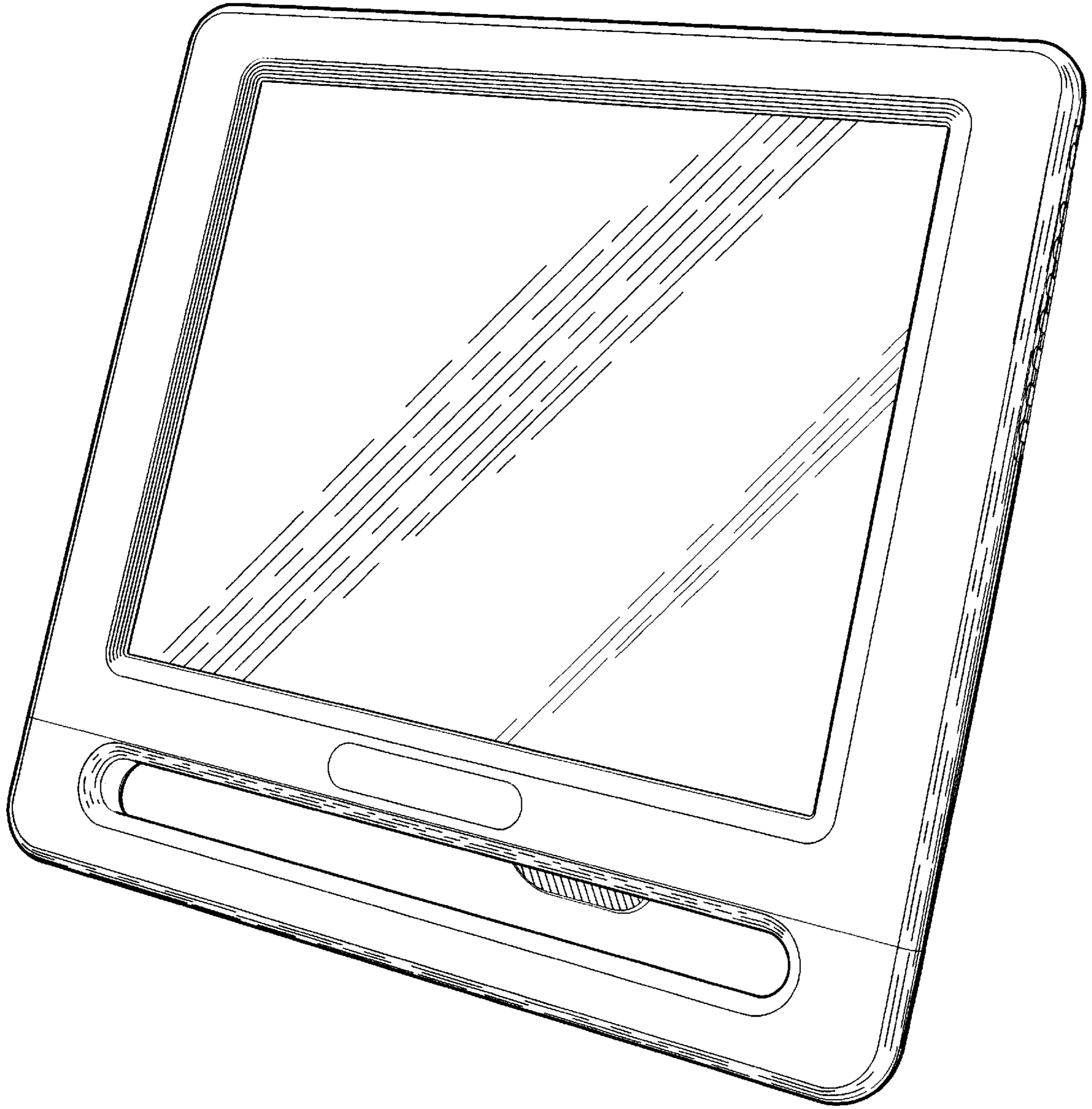
The ornamental design for a flat-panel display, as shown.

**DESCRIPTION**

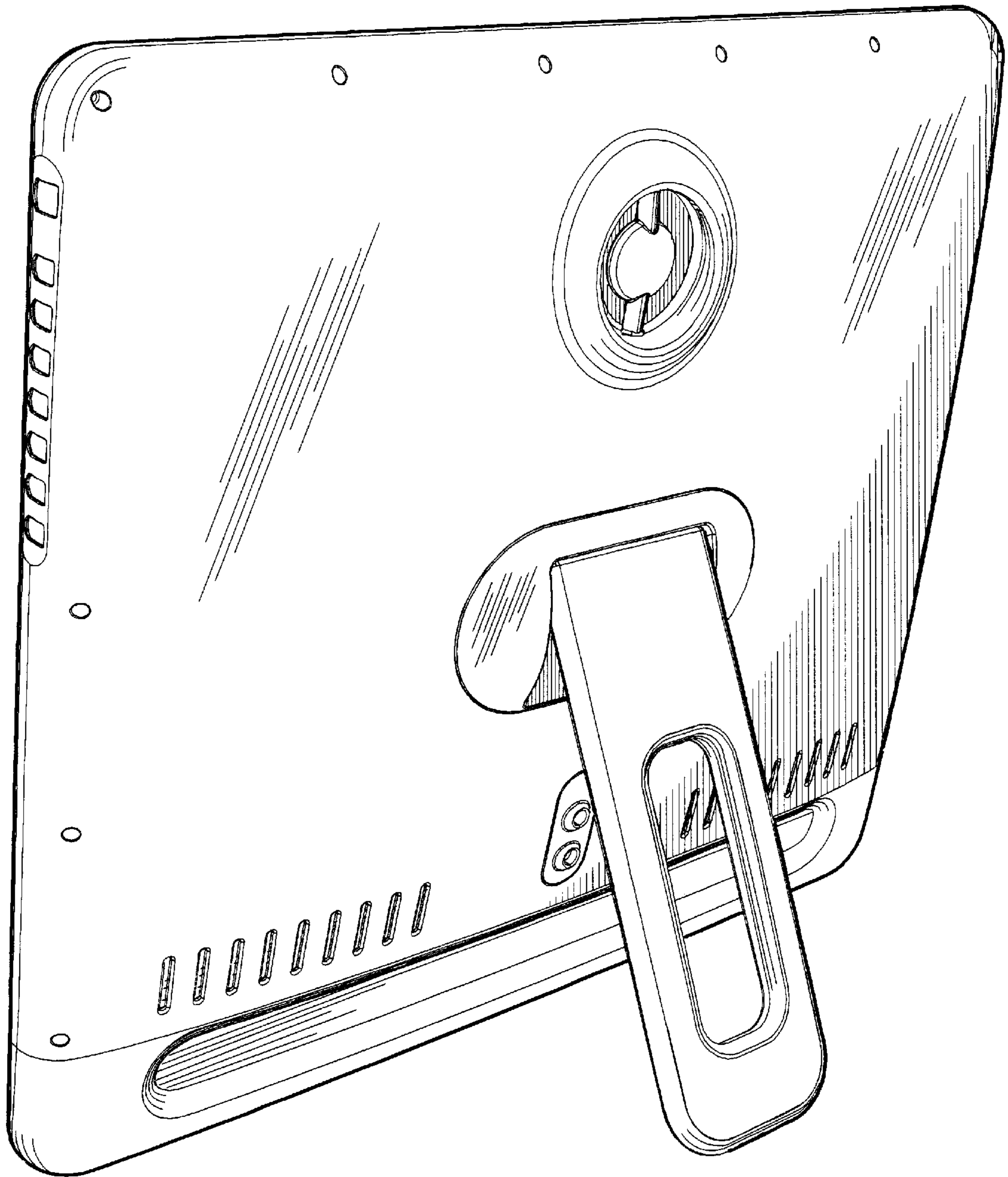
FIG. 1 is a front, top, right side perspective view of a flat-panel display, showing my new design;  
FIG. 2 is a back, top, right side perspective view thereof;  
FIG. 3 is a front side elevational view thereof;  
FIG. 4 is a back side elevation view thereof;  
FIG. 5 is a right side elevation view thereof;  
FIG. 6 is a left side elevation view thereof;  
FIG. 7 is a top plan view thereof; and,  
FIG. 8 is a bottom plan view thereof.

**1 Claim, 8 Drawing Sheets**

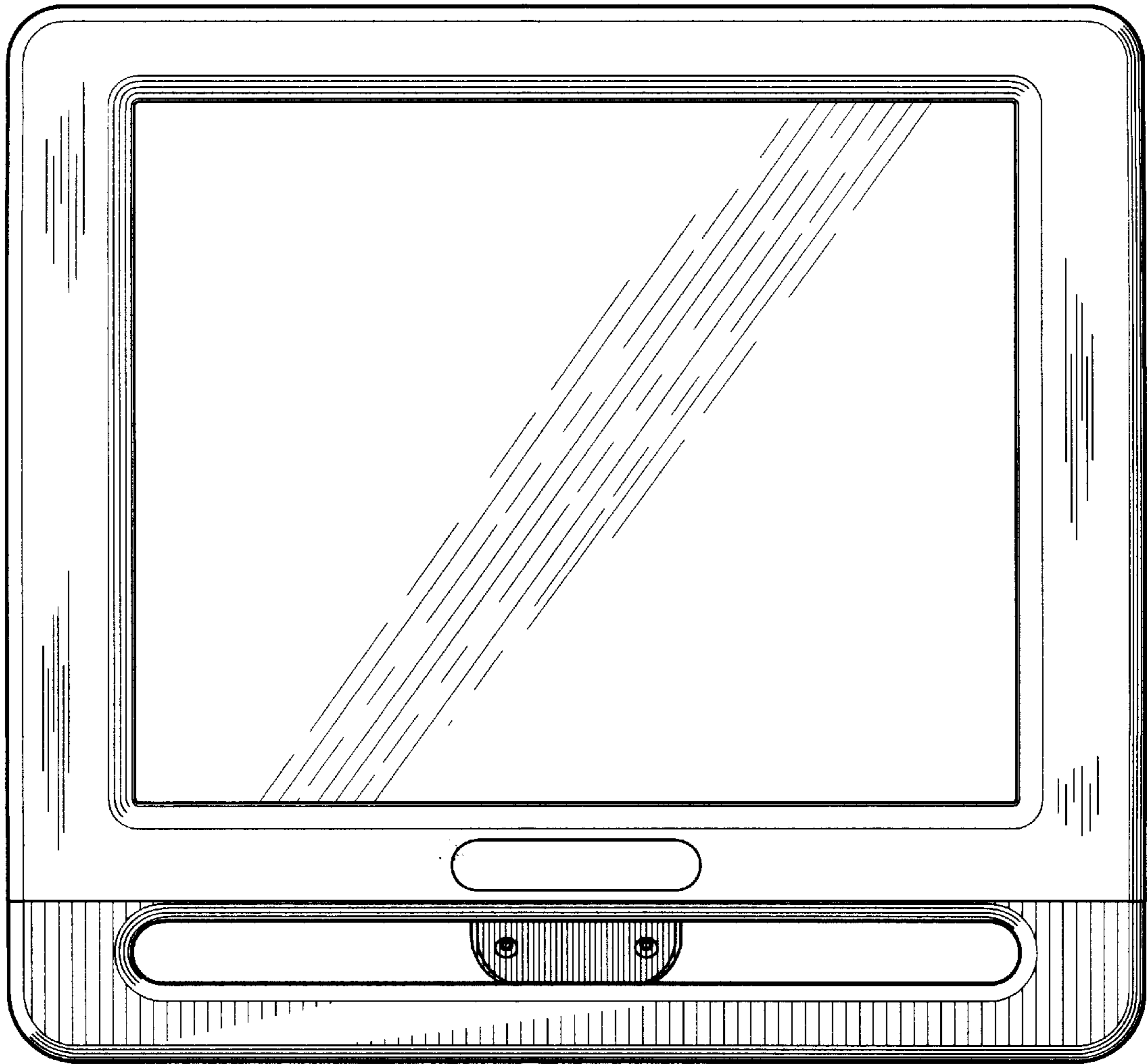




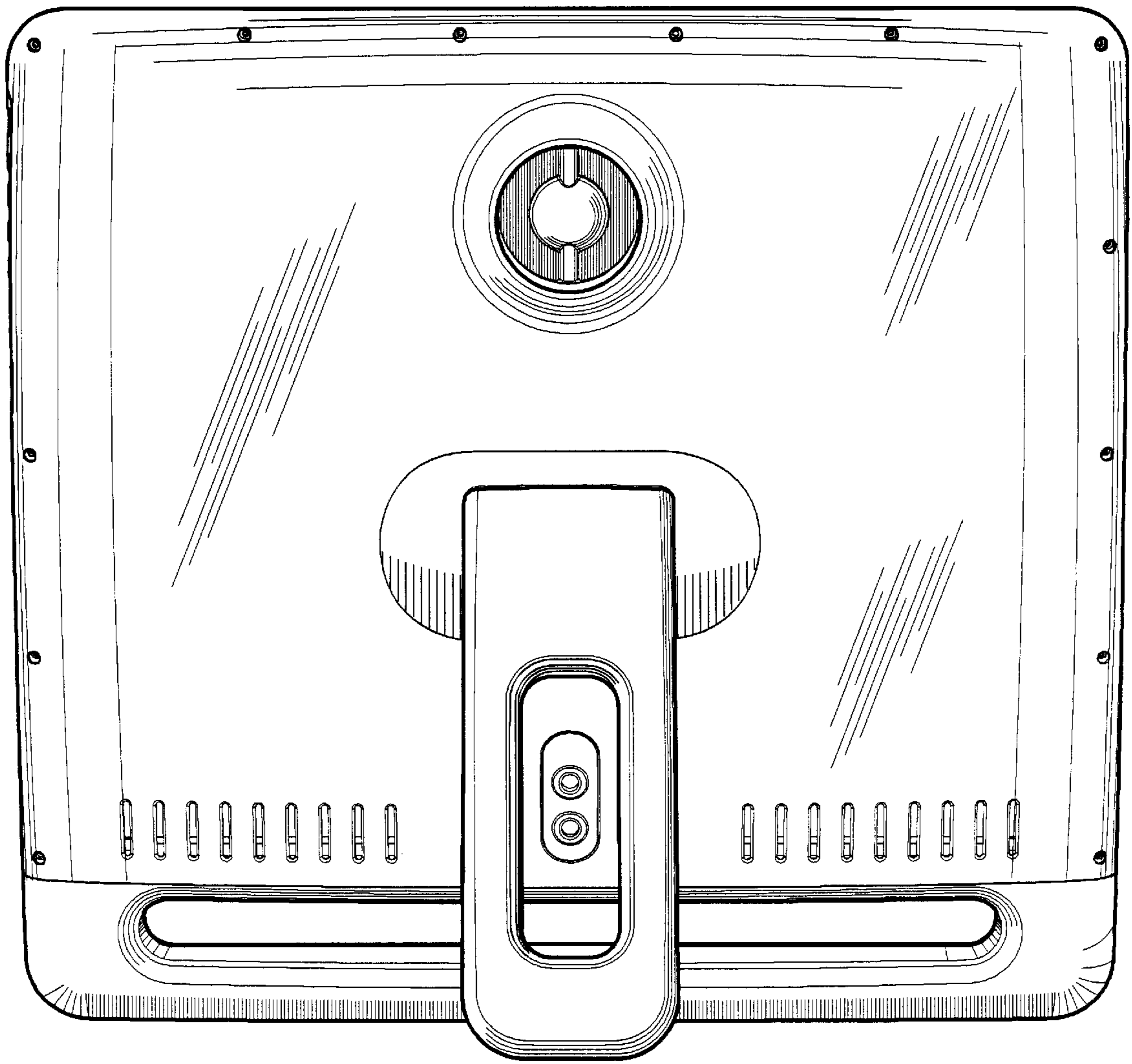
**Fig. 1**



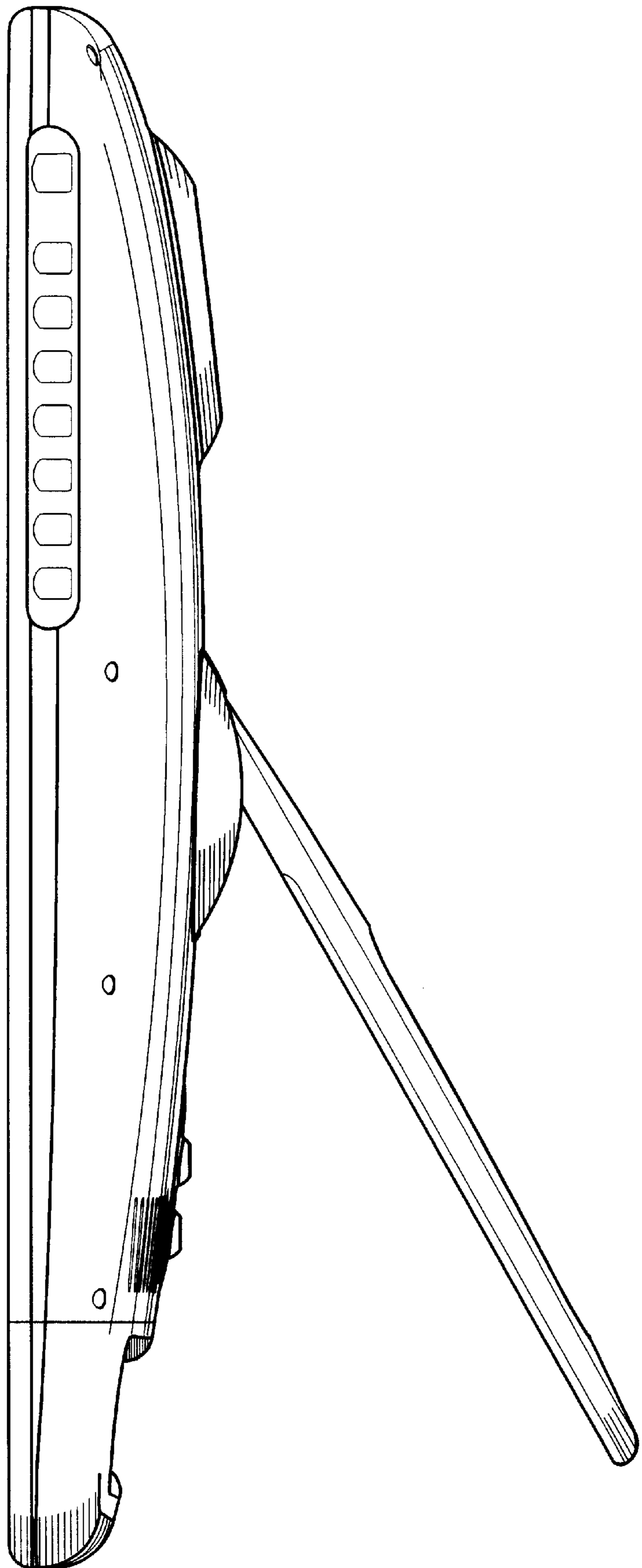
**Fig. 2**



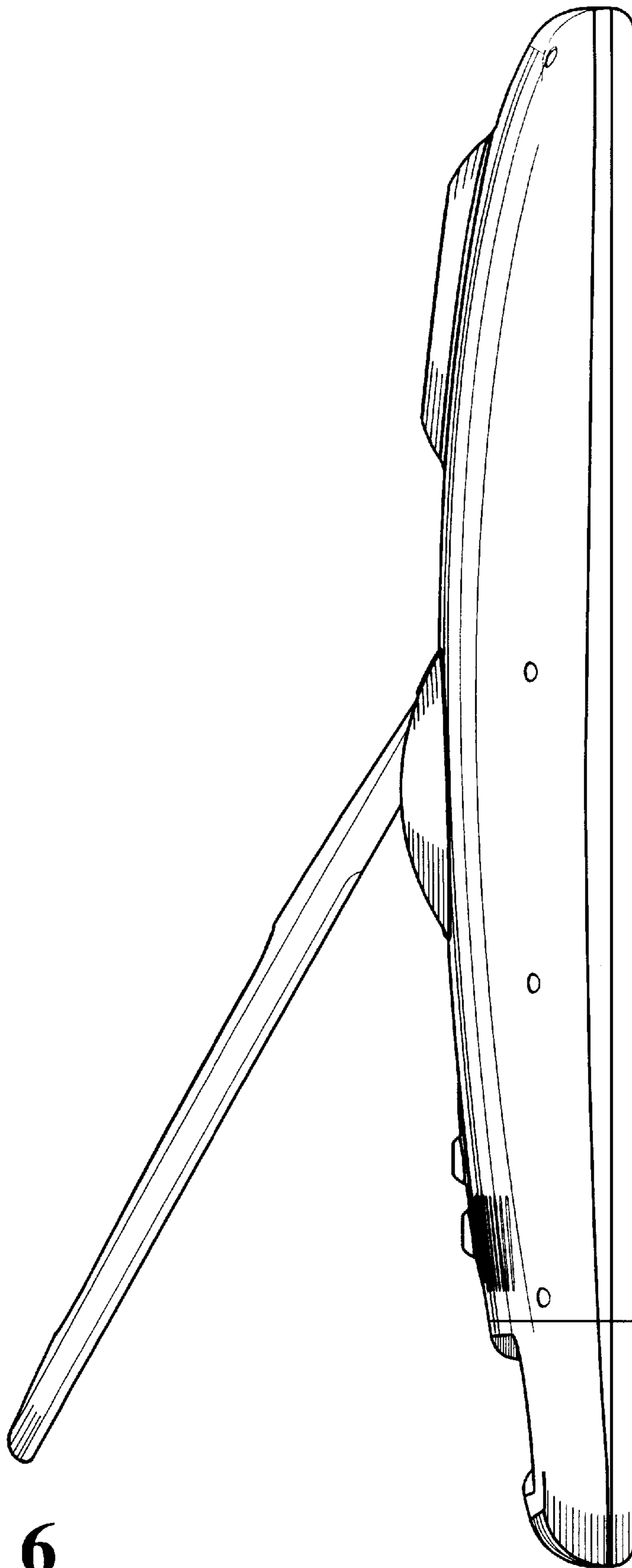
**Fig. 3**



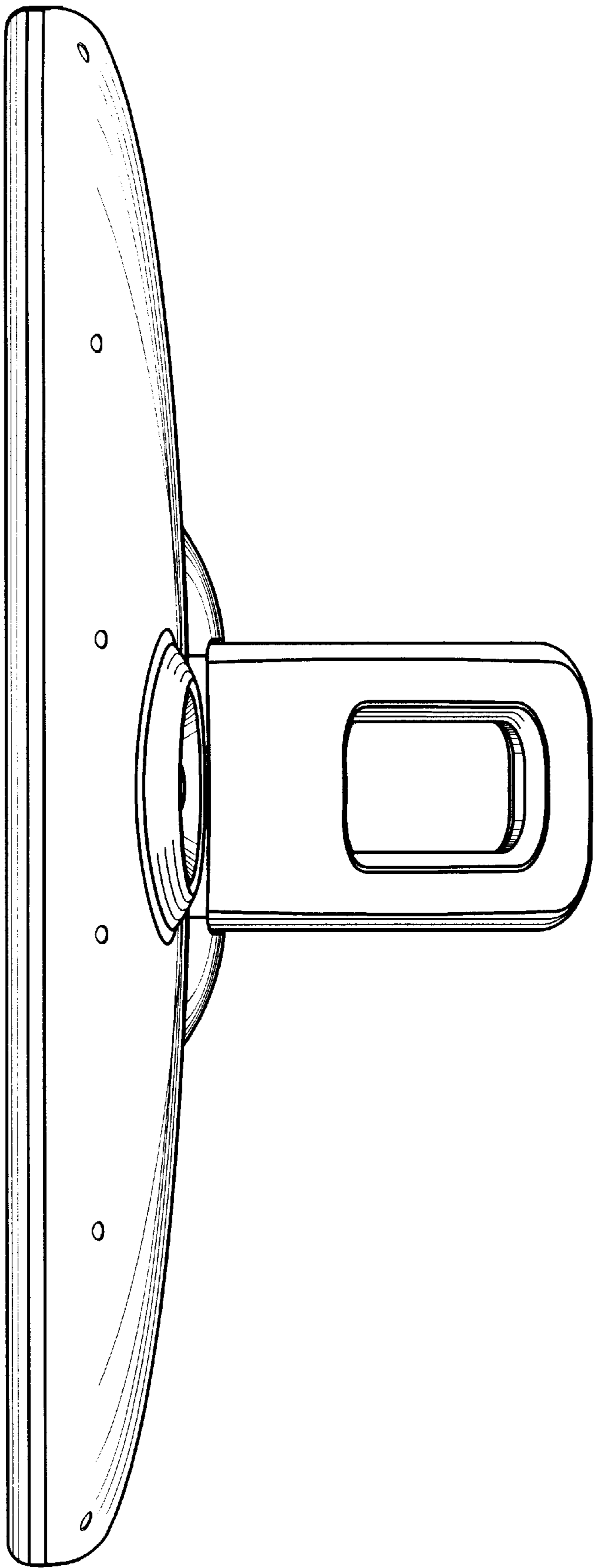
**Fig. 4**



**Fig. 5**

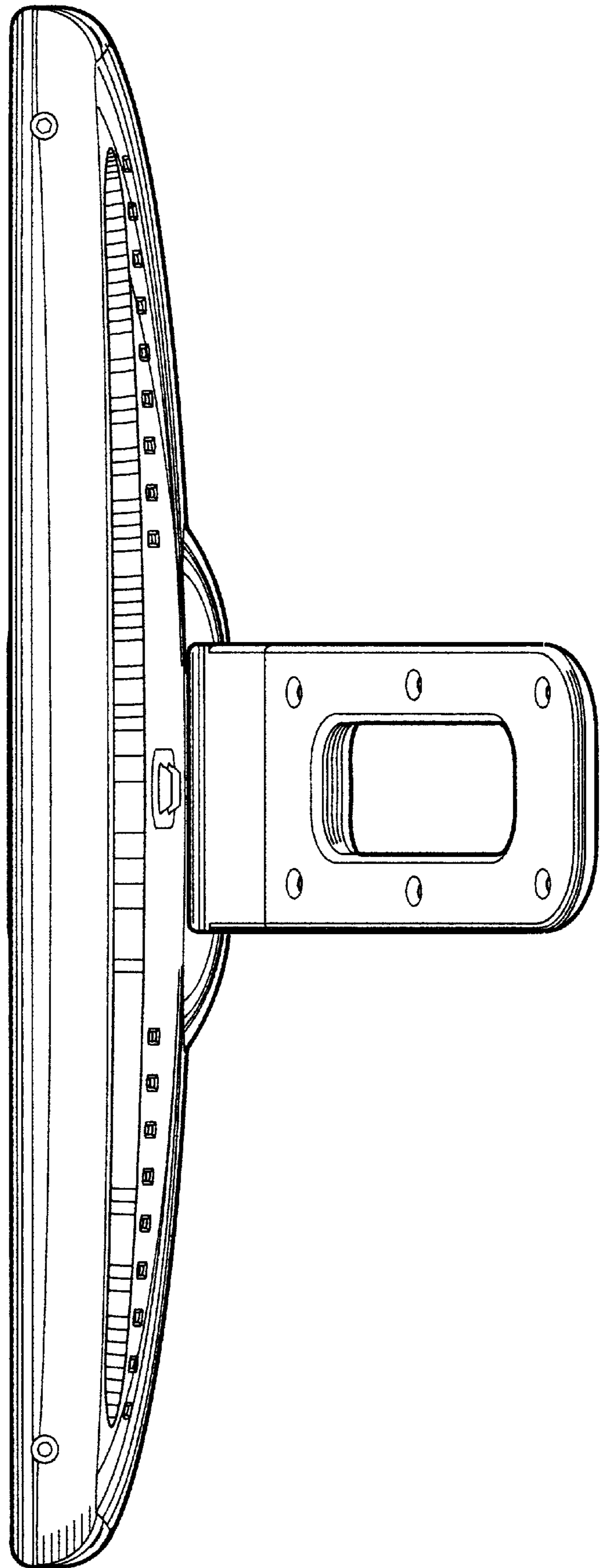


**Fig. 6**



**Fig. 7**





**Fig. 8**